



US00D324537S

United States Patent [19]

[11] Patent Number: **Des. 324,537**

Maehara et al.

[45] Date of Patent: **** Mar. 10, 1992**

[54] OFFSET PRINTING MACHINE

[75] Inventors: **Kenso Maehara; Tetsuyuki Doi**, both of Hiroshima, Japan

[73] Assignee: **Ryobi Ltd.**, Hiroshima, Japan

[**] Term: **14 Years**

[21] Appl. No.: **456,770**

[22] Filed: **Dec. 26, 1989**

[30] Foreign Application Priority Data

Jun. 23, 1989 [JP] Japan 1-23428

[52] U.S. Cl. **D18/53**

[58] Field of Search D18/13; 101/136, 137, 101/140, 141, 142, 145, 177, 183, 184, 185

[56] References Cited

U.S. PATENT DOCUMENTS

- D. 192,394 3/1962 Behnk D18/13
- D. 263,242 3/1982 Hiraishi et al. D18/13
- D. 265,914 8/1982 Hiraishi et al. D18/13

FOREIGN PATENT DOCUMENTS

- 493752 7/1986 Japan .
- 692082 7/1986 Japan .

OTHER PUBLICATIONS

Soag Machinery Limited advertisement in Lithoweeek; 2 Dec. 1987; p. 22 (photo in upper right corner).

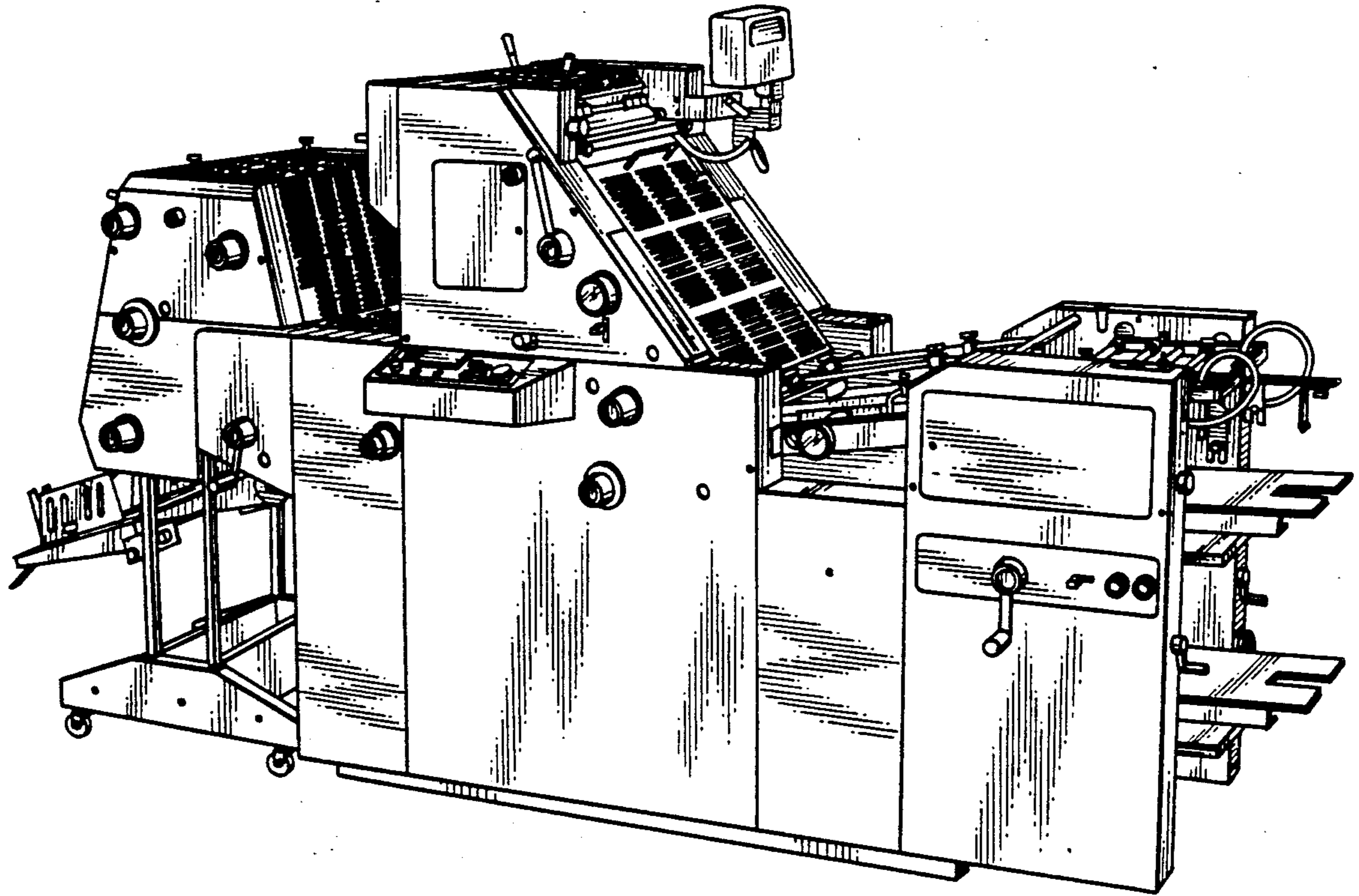
Primary Examiner—A. Hugo Word
Assistant Examiner—Cathy Anne MacCormac
Attorney, Agent, or Firm—Sughrue, Mion, Zinn, Macpeak & Seas

[57] CLAIM

The ornamental design for an offset printing machine, as shown.

DESCRIPTION

FIG. 1 is a front, top and right side perspective view of an offset printing machine showing our new design; FIG. 2 is a front elevational view thereof; FIG. 3 is a rear elevational view thereof; FIG. 4 is a top plan view thereof; FIG. 5 is a left side elevational view thereof; and FIG. 6 is a right side elevational view thereof.



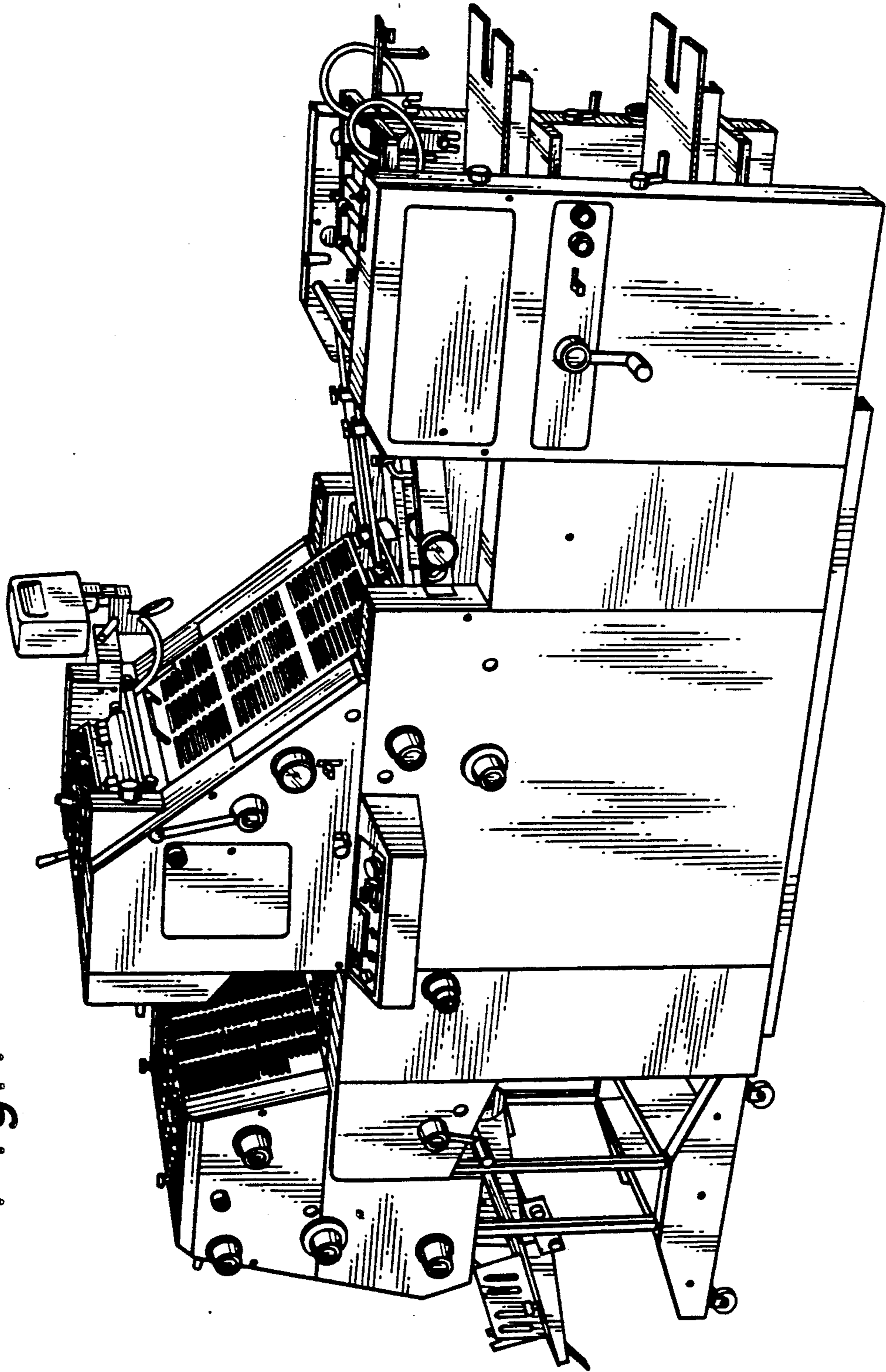
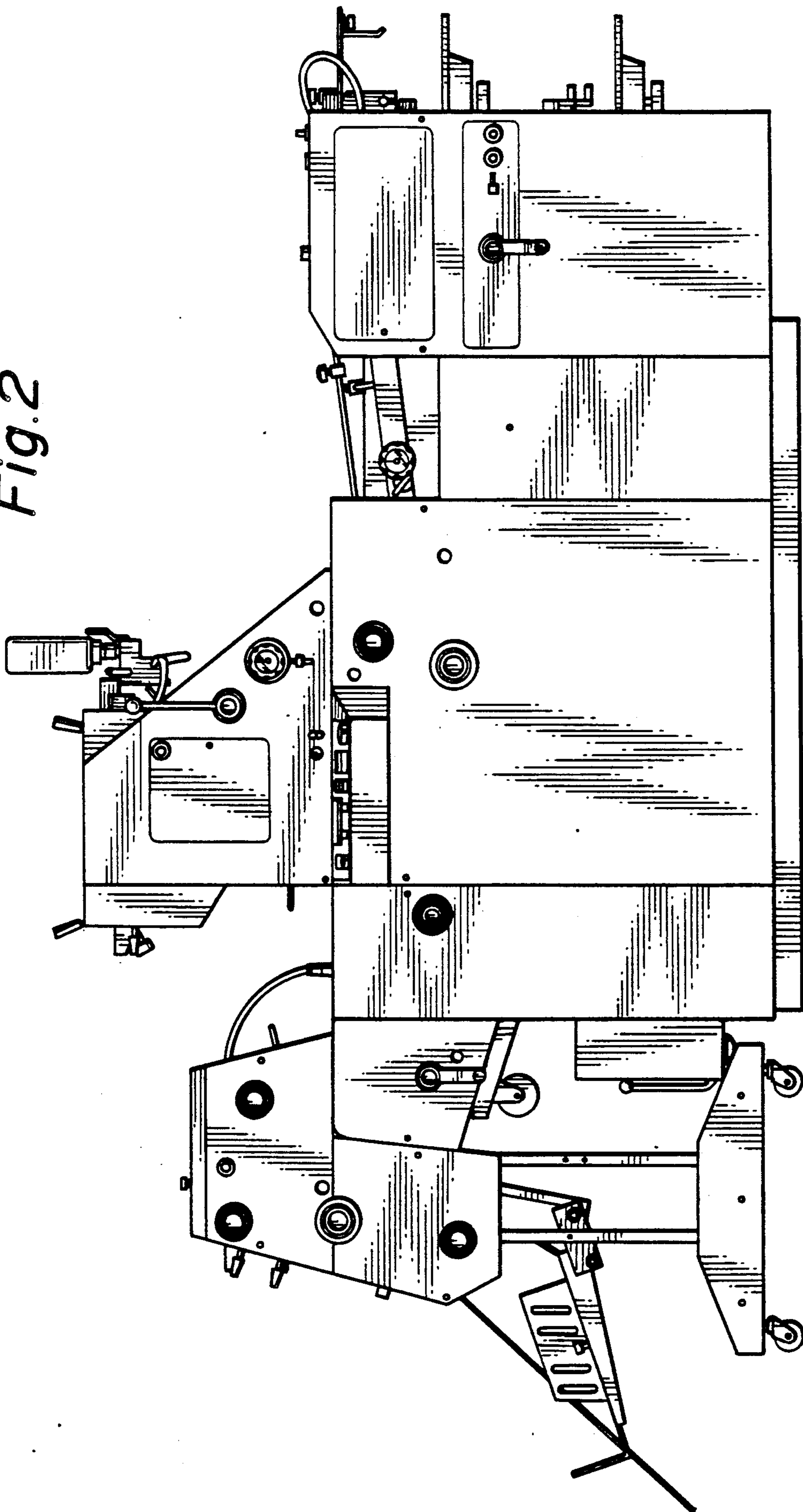


Fig. 1

Fig. 2



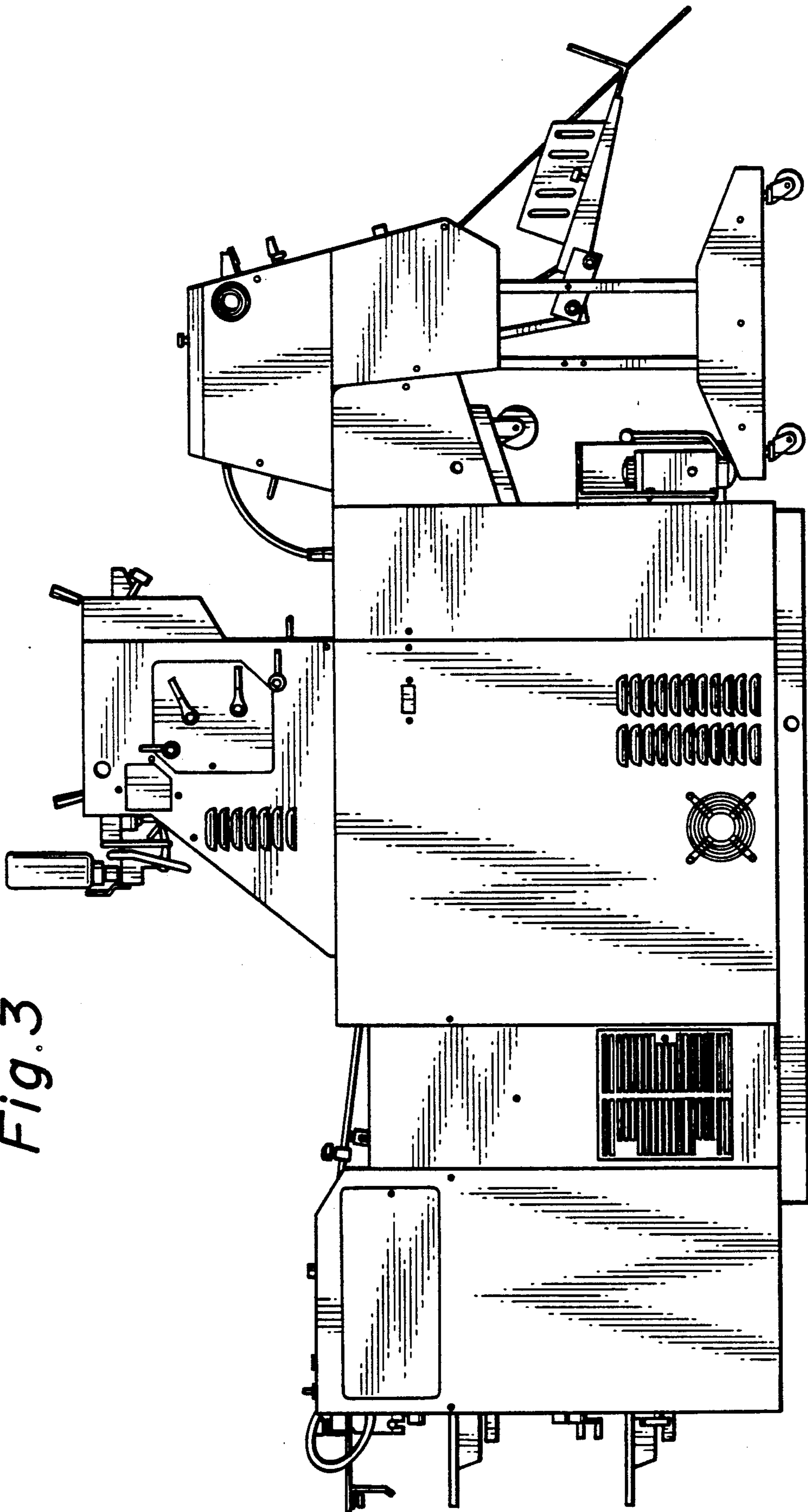


Fig. 3

Fig. 4

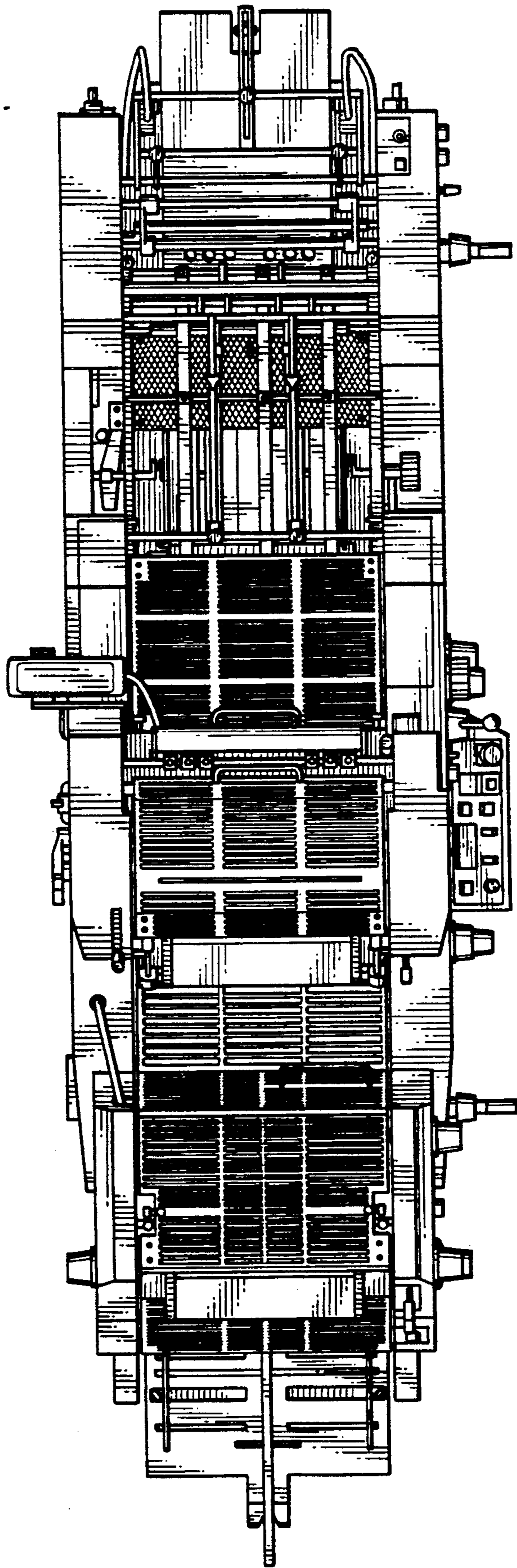


Fig.5

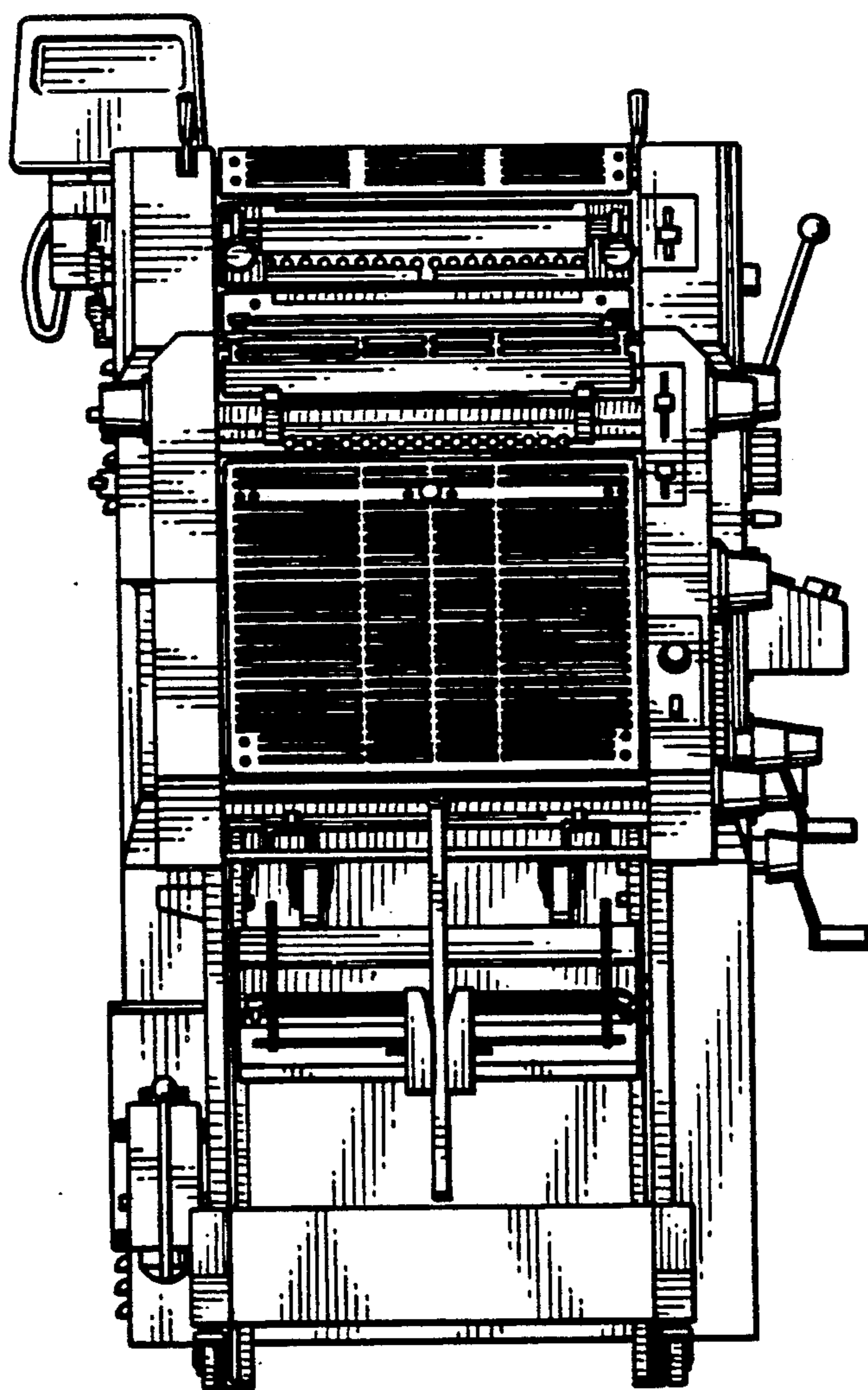


Fig. 6

