



US00D324533S

**United States Patent** [19]  
**Preisinger**

[11] **Patent Number: Des. 324,533**  
[45] **Date of Patent: \*\* Mar. 10, 1992**

[54] **STAMP**

[75] **Inventor: Franz Preisinger, Hausham, Fed. Rep. of Germany**  
[73] **Assignee: Stempel- und Schilderfabrik A. Mosthaf GmbH & Co., Frankfurt am Main, Fed. Rep. of Germany**

[\*\*] **Term: 14 Years**

[21] **Appl. No.: 310,704**

[22] **Filed: Feb. 13, 1989**

[30] **Foreign Application Priority Data**  
Aug. 12, 1988 [DE] Fed. Rep. of Germany ... 8801011[U]  
[52] **U.S. Cl. .... D18/15**  
[58] **Field of Search .... D18/13-16, D18/18, 22, 99; 107/111, 327, 405-406, 371-373**

[56] **References Cited**

**U.S. PATENT DOCUMENTS**

D. 280,644	9/1985	Ichikawa .....	D18/18 X
D. 309,909	8/1990	Just .....	D18/18
1,058,008	4/1913	Standley .....	101/111 X
2,996,004	8/1961	Sinkiewicz .....	101/405 X

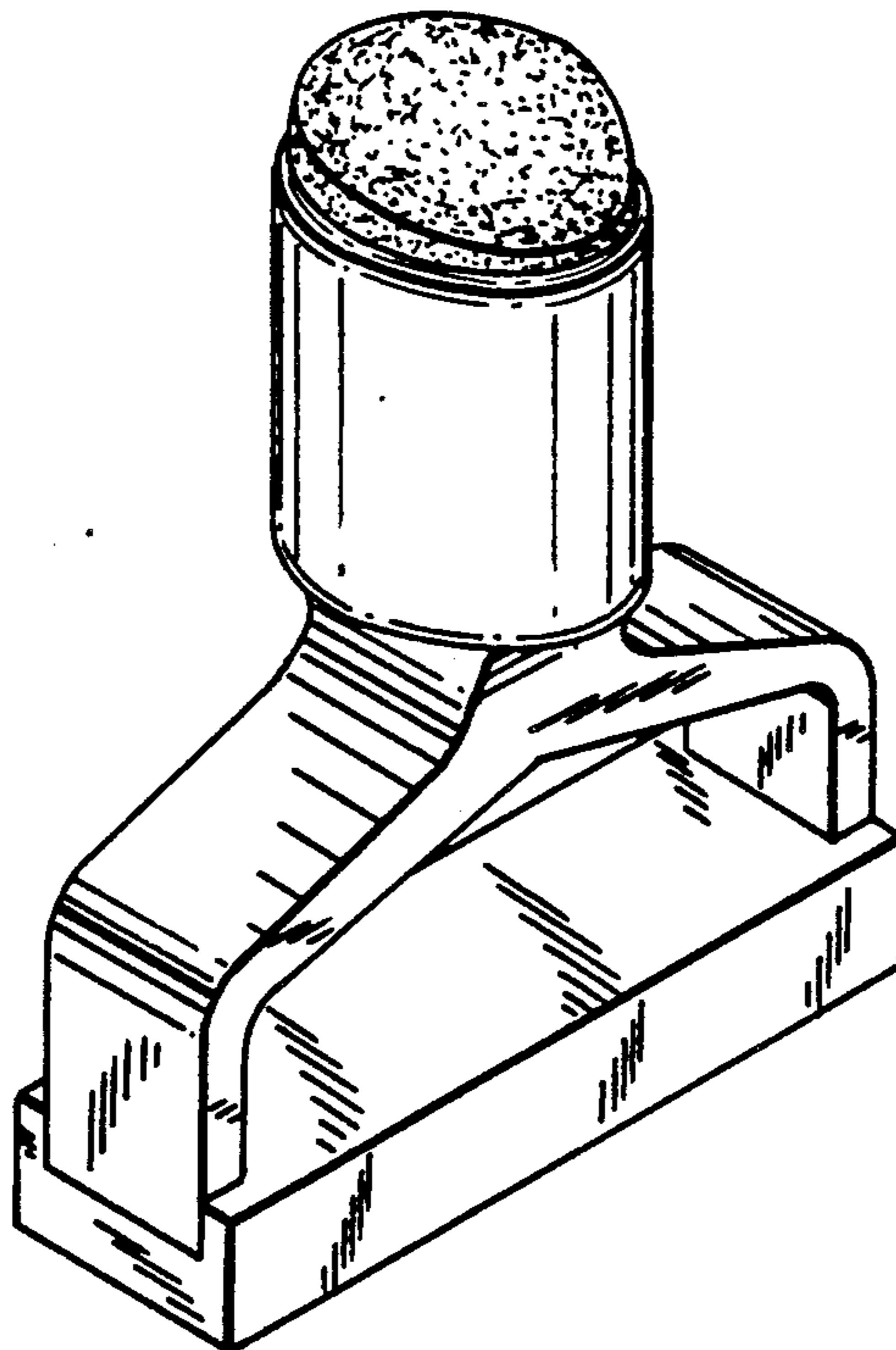
*Primary Examiner*—Susan J. Lucas  
*Assistant Examiner*—M. H. Tung  
*Attorney, Agent, or Firm*—Collard, Roe & Galgano

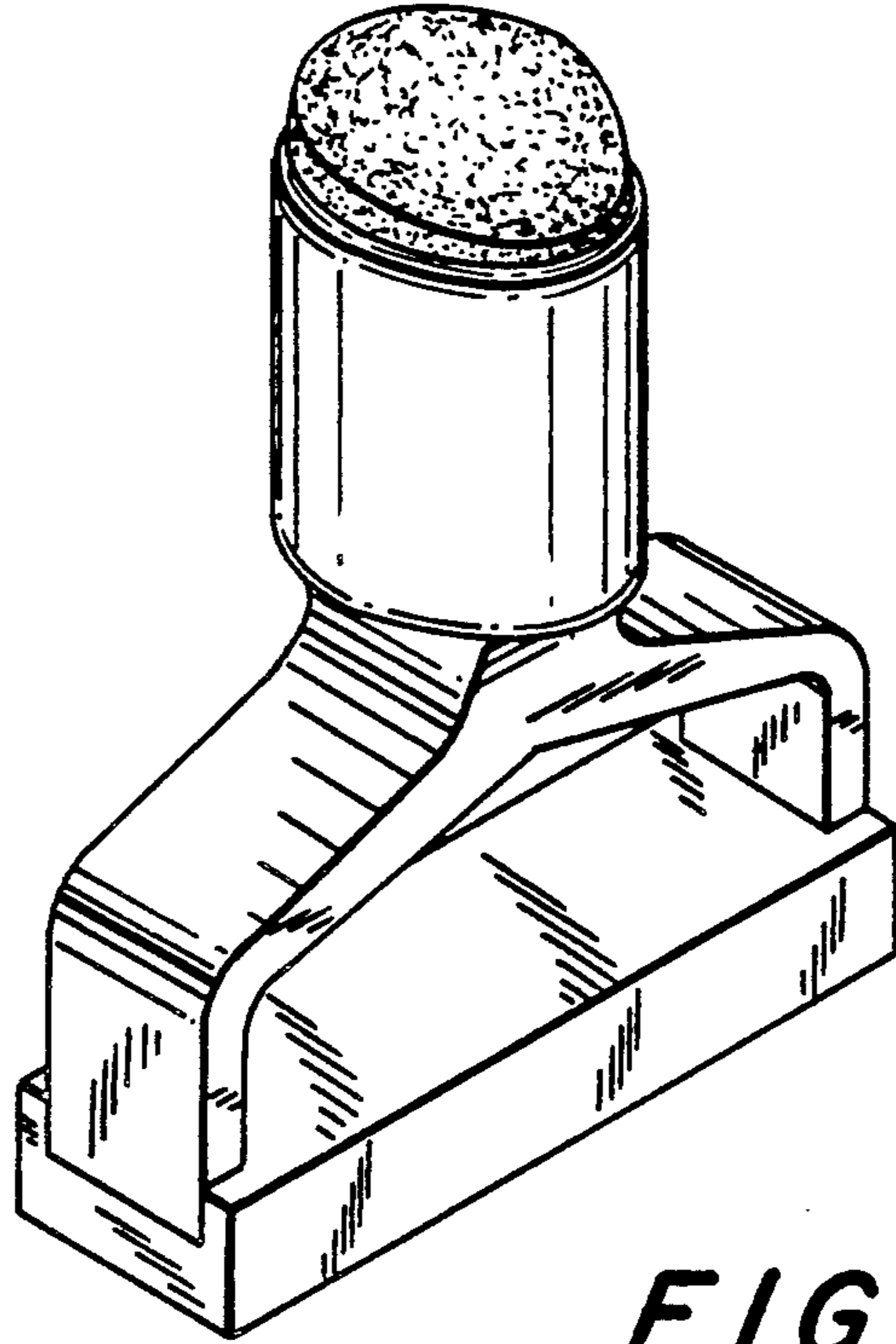
[57] **CLAIM**

The ornamental design for a stamp, as shown.

**DESCRIPTION**

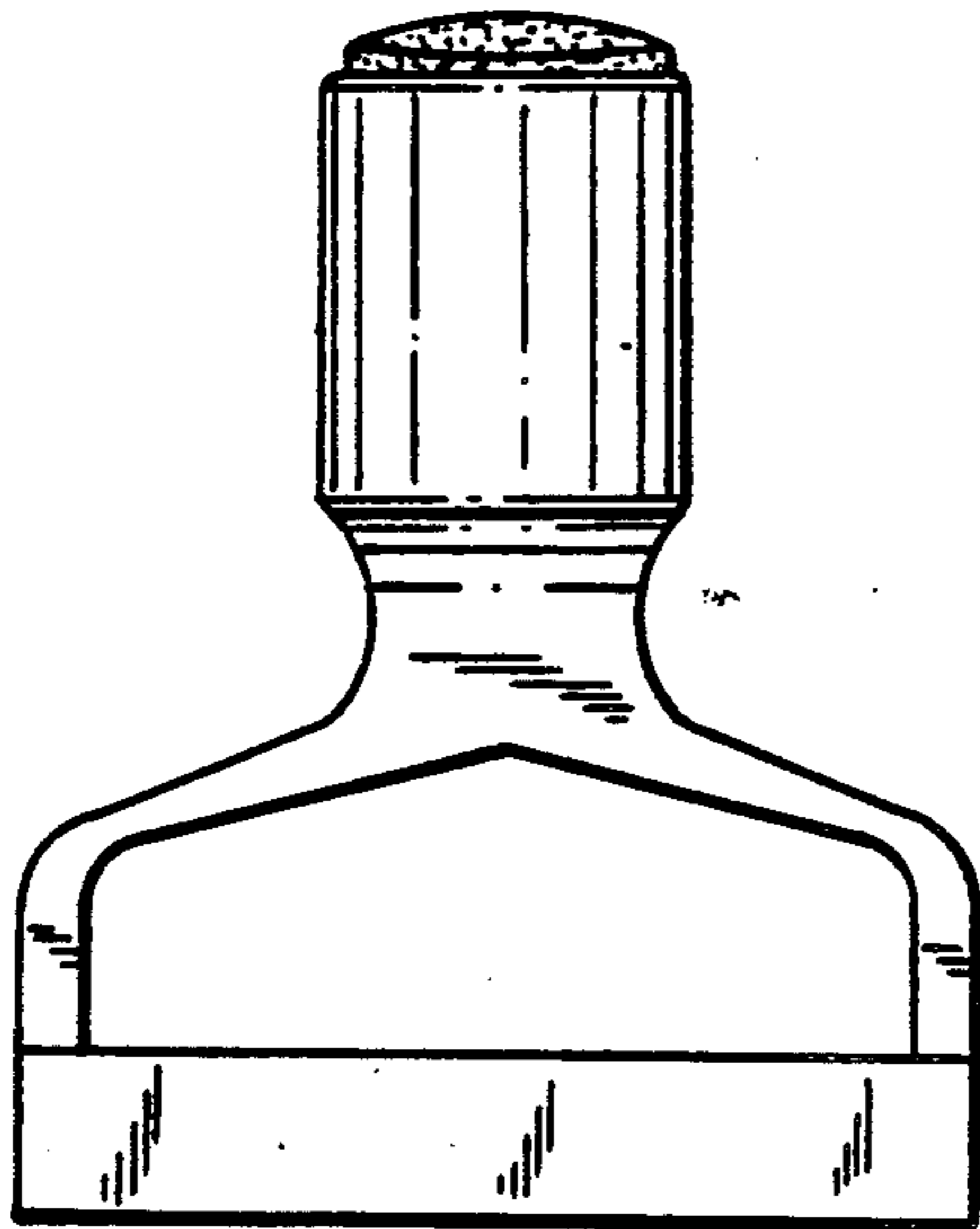
FIG. 1 is a perspective view of a stamp showing my new design;  
FIG. 2 is a front elevational view thereof;  
FIG. 3 is a left-side elevational view thereof;  
FIG. 4 is a top plan view thereof;  
FIG. 5 is a right-side elevational view thereof;  
FIG. 6 is a rear elevational view thereof; and  
FIG. 7 is a bottom plan view thereof.



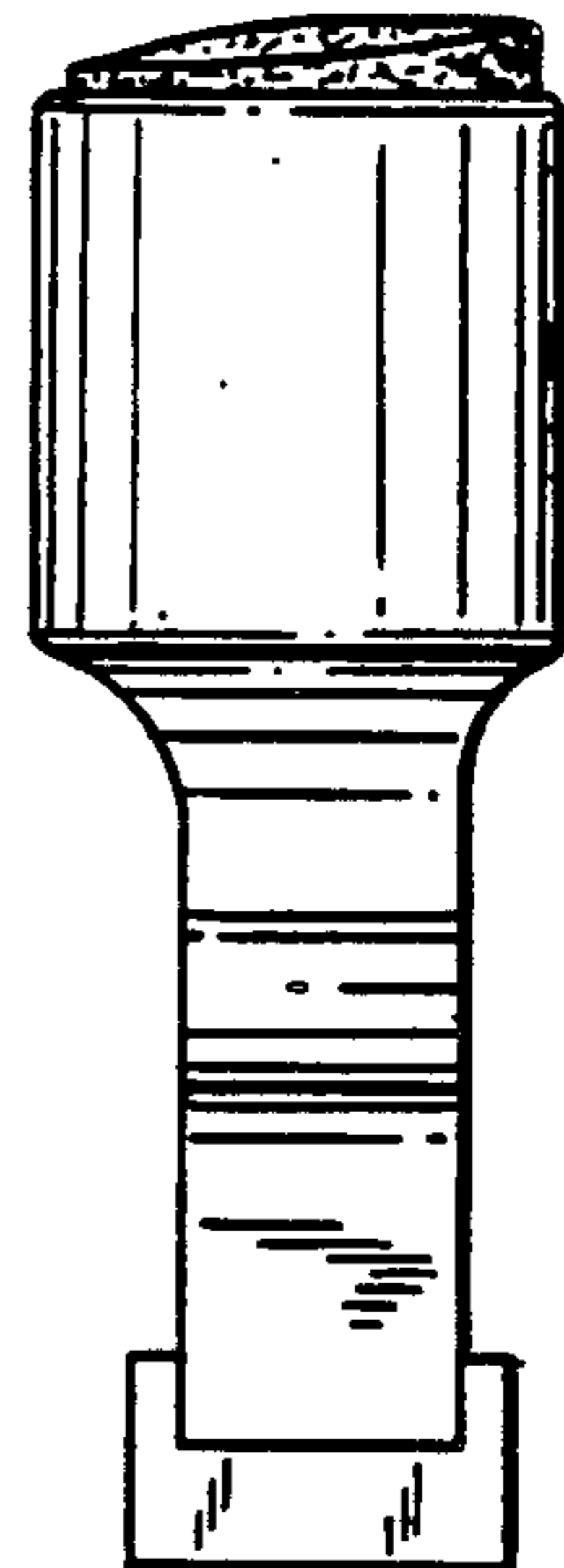


*FIG. 1*

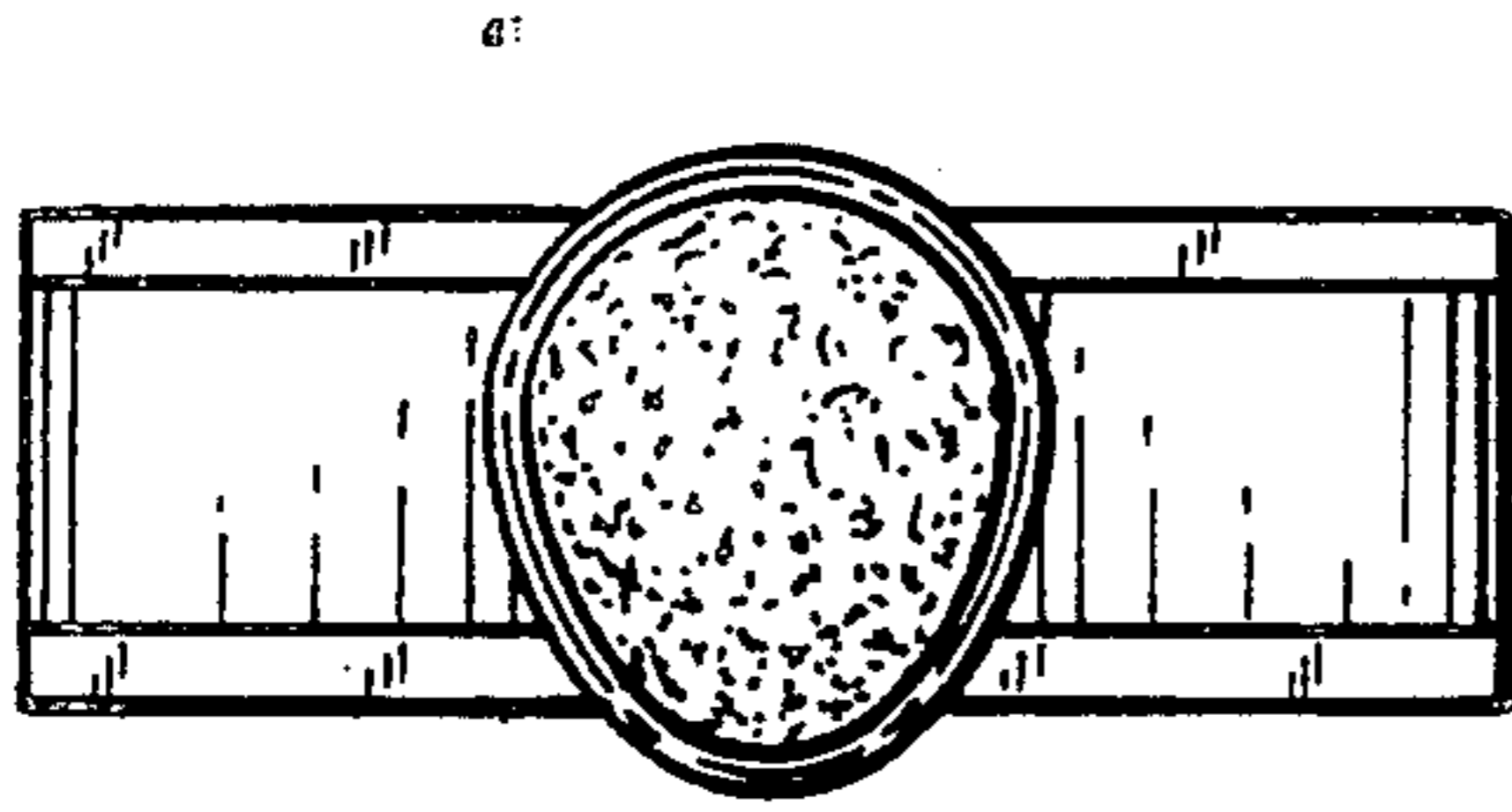
*FIG. 2*



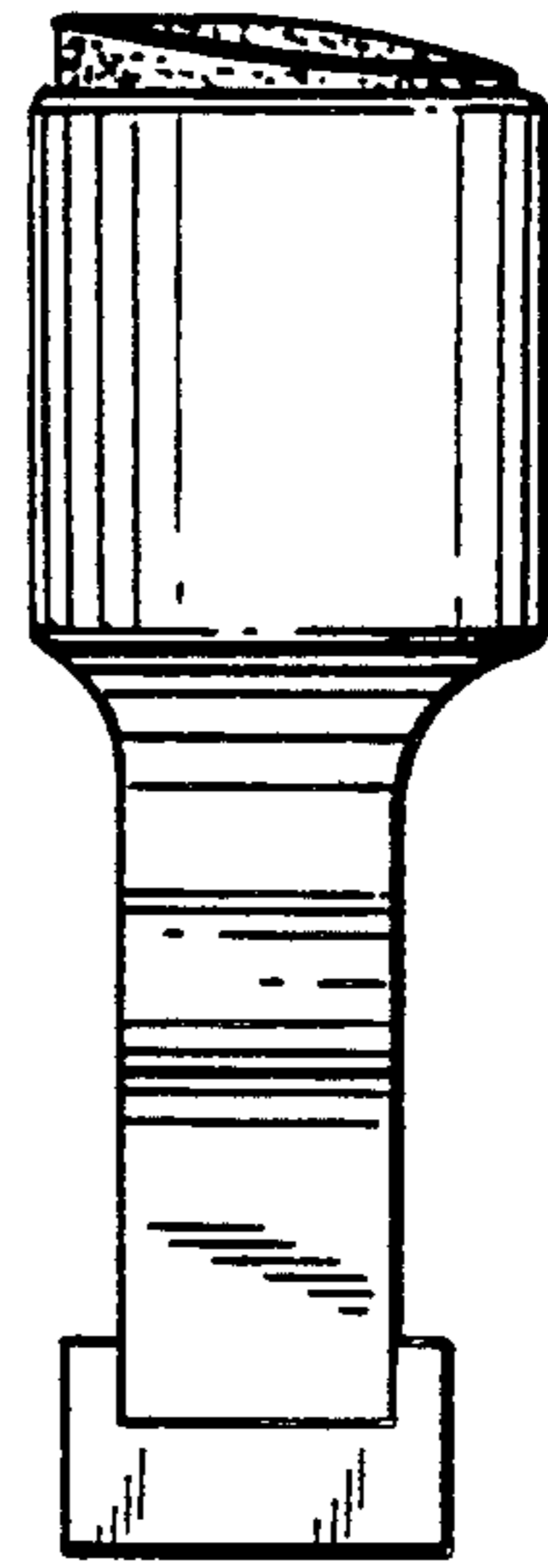
*FIG. 3*



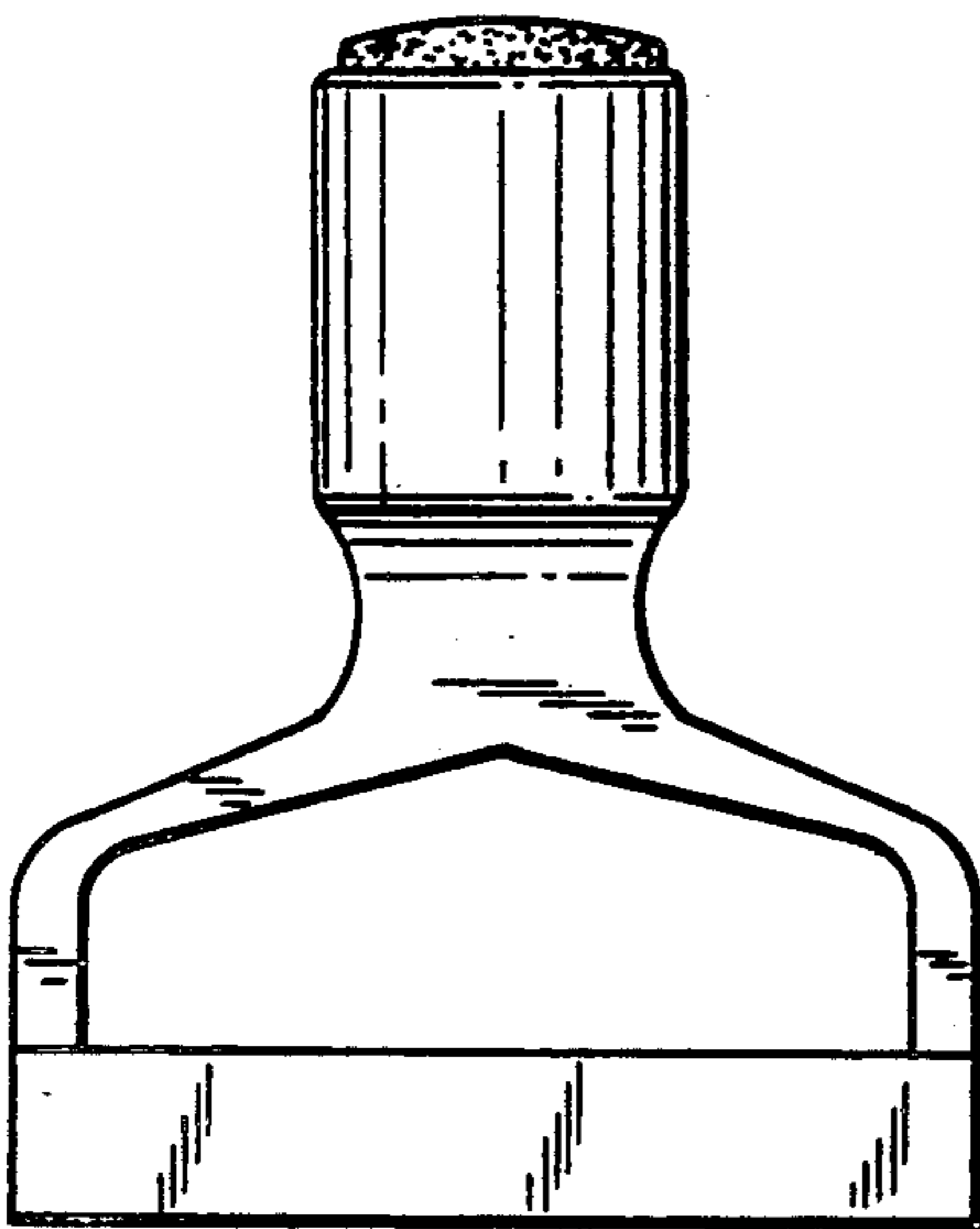
**FIG. 4**



**FIG. 5**



**FIG. 6**



**FIG. 7**

