



US00D324530S

# United States Patent [19]

[11] Patent Number: **Des. 324,530**

**Blaylock**

[45] Date of Patent: **\*\* Mar. 10, 1992**

[54] **COMBINED GUN AND CAMERA REST**

[76] Inventor: **Joseph D. Blaylock**, 475 Foothill Dr., Fillmore, Calif. 93015

[\*\*] Term: **14 Years**

[21] Appl. No.: **376,362**

[22] Filed: **Jul. 6, 1989**

[52] U.S. Cl. .... **D16/242**

[58] Field of Search ..... **D16/237, 242, 243; D22/108; 42/94; 89/40.06; 224/908; 248/910; 354/81, 82, 293**

[56] **References Cited**

**U.S. PATENT DOCUMENTS**

203,184	4/1878	Müller	42/94
D. 297,450	8/1988	Florida	D22/108
3,016,802	1/1962	Grunenberg	89/40.06
3,772,813	11/1973	Sands	42/94
4,397,112	8/1983	York	42/94

**OTHER PUBLICATIONS**

American Rifle Man, June 1982, vol. 130 No. 6 p. 35 (Harris BIBOD).

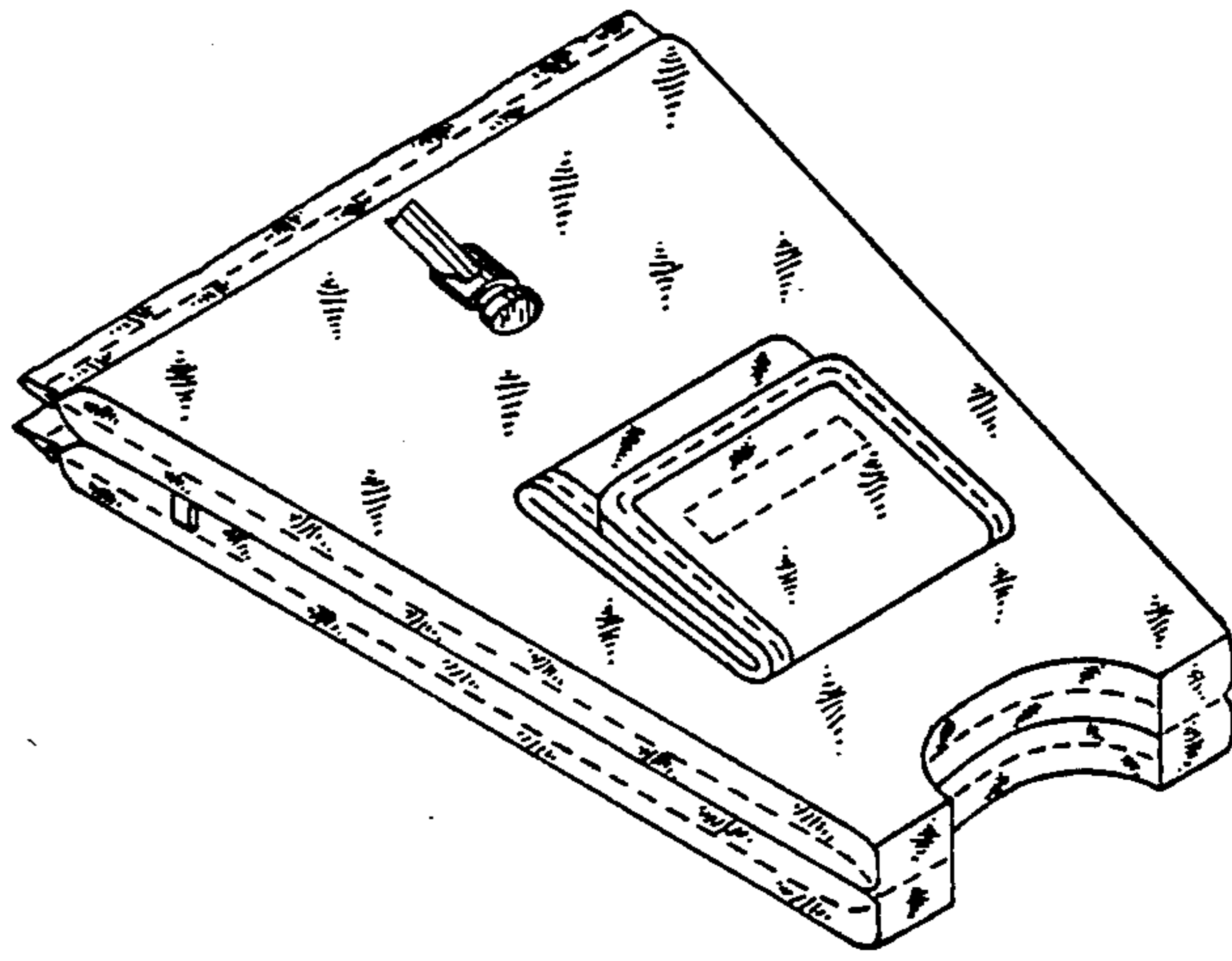
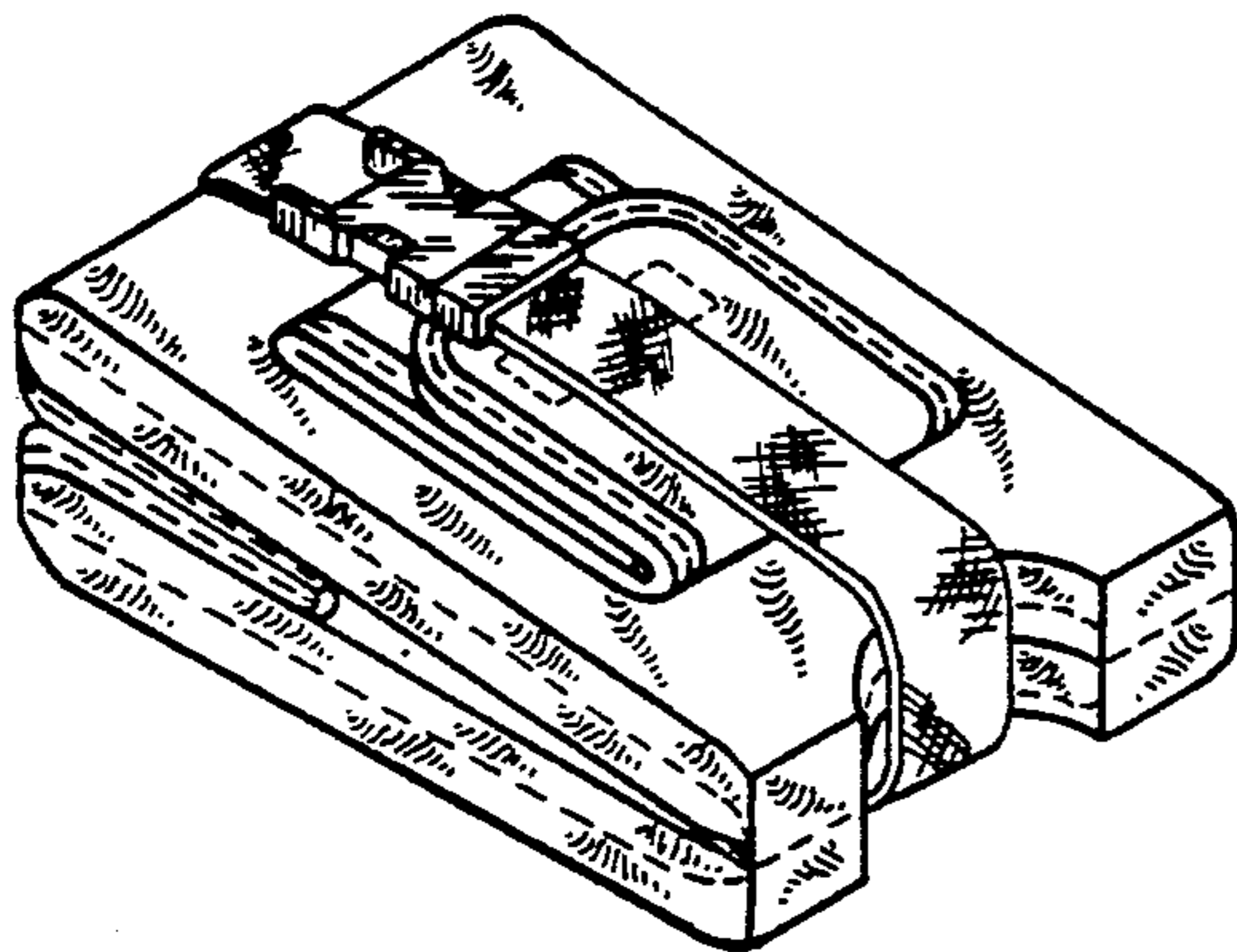
*Primary Examiner*—Bernard Ansher  
*Assistant Examiner*—Adir Aronovich

[57] **CLAIM**

The ornamental design for a combined gun and camera rest, as shown and described.

**DESCRIPTION**

FIG. 1 is as a right side elevational view of a combined gun and camera rest showing my new design;  
 FIG. 2 is a rear elevational view thereof;  
 FIG. 3 is a top plan view thereof;  
 FIG. 4 is a front elevational view thereof;  
 FIG. 5 is a bottom plan view thereof;  
 FIG. 6 is a top front perspective view thereof, in a fully assembled condition;  
 FIG. 7 is a right side elevational view of a second embodiment of the form illustrated in FIG. 1;  
 FIG. 8 is a rear elevational view thereof;  
 FIG. 9 is a top plan view thereof;  
 FIG. 10 is a front elevational view thereof;  
 FIG. 11 is a top front perspective view thereof, in a fully assembled condition; and  
 FIG. 12 is a bottom plan view thereof.  
 The string and belt members are fragmentarily shown for ease of illustration.



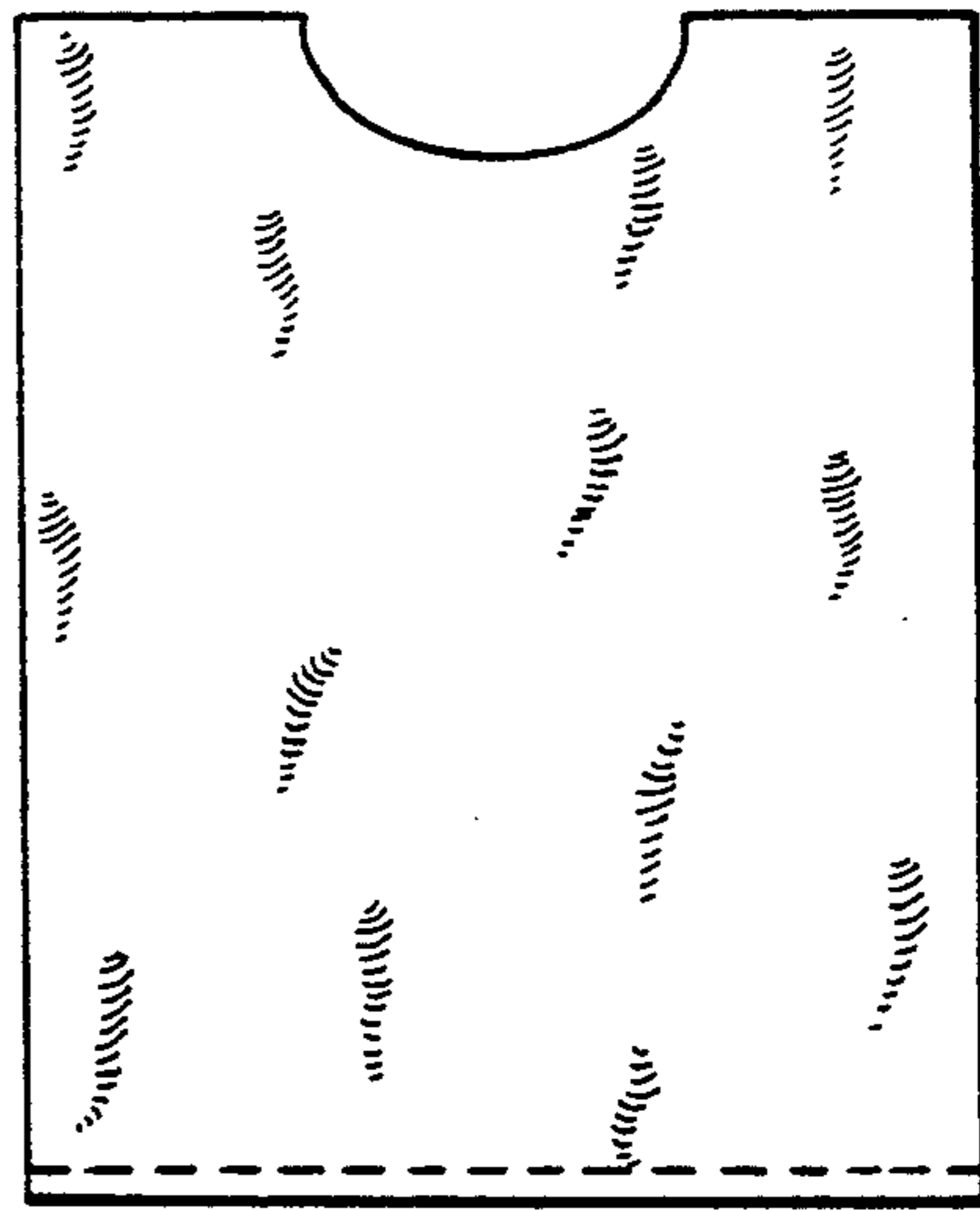
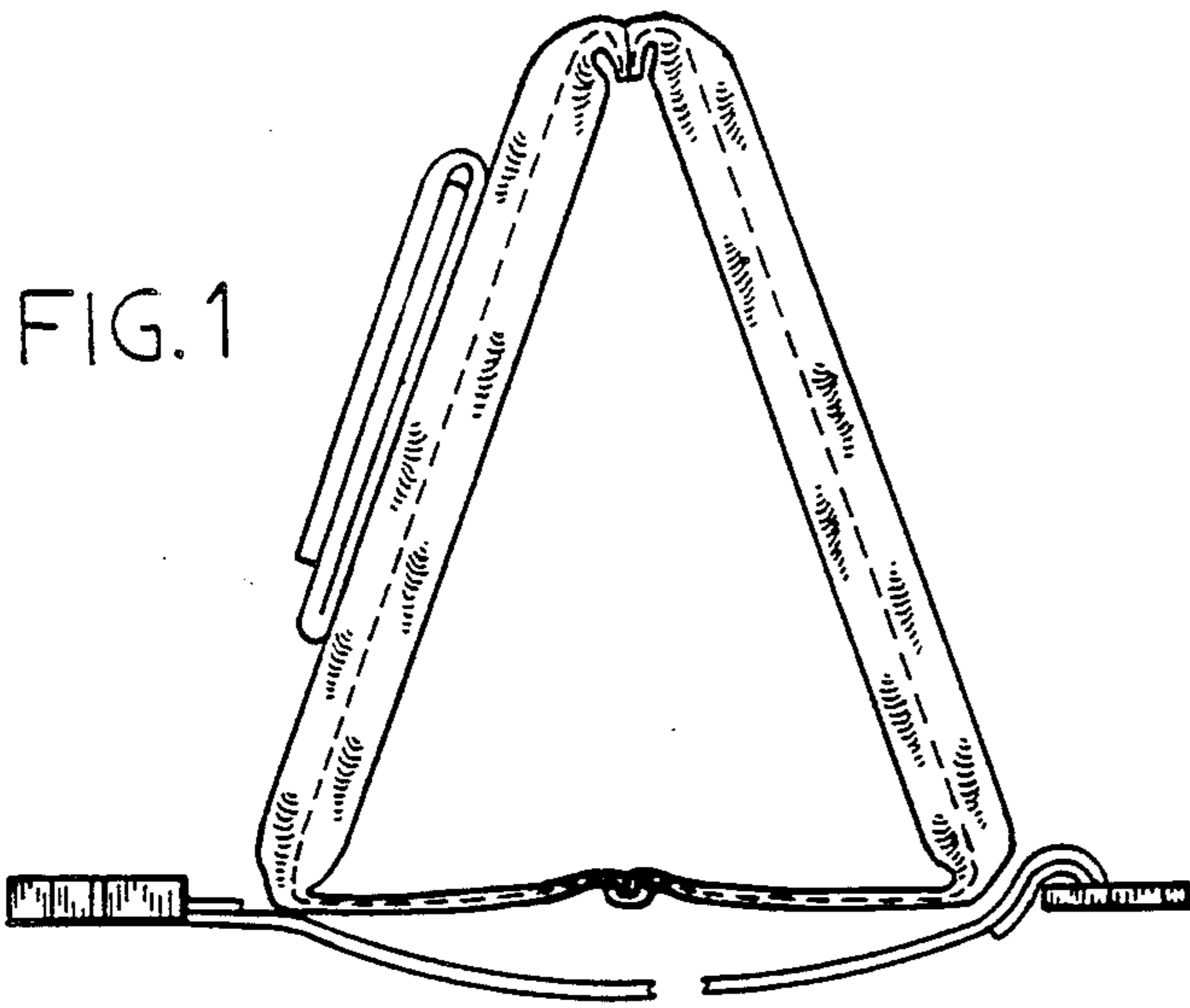


FIG. 2

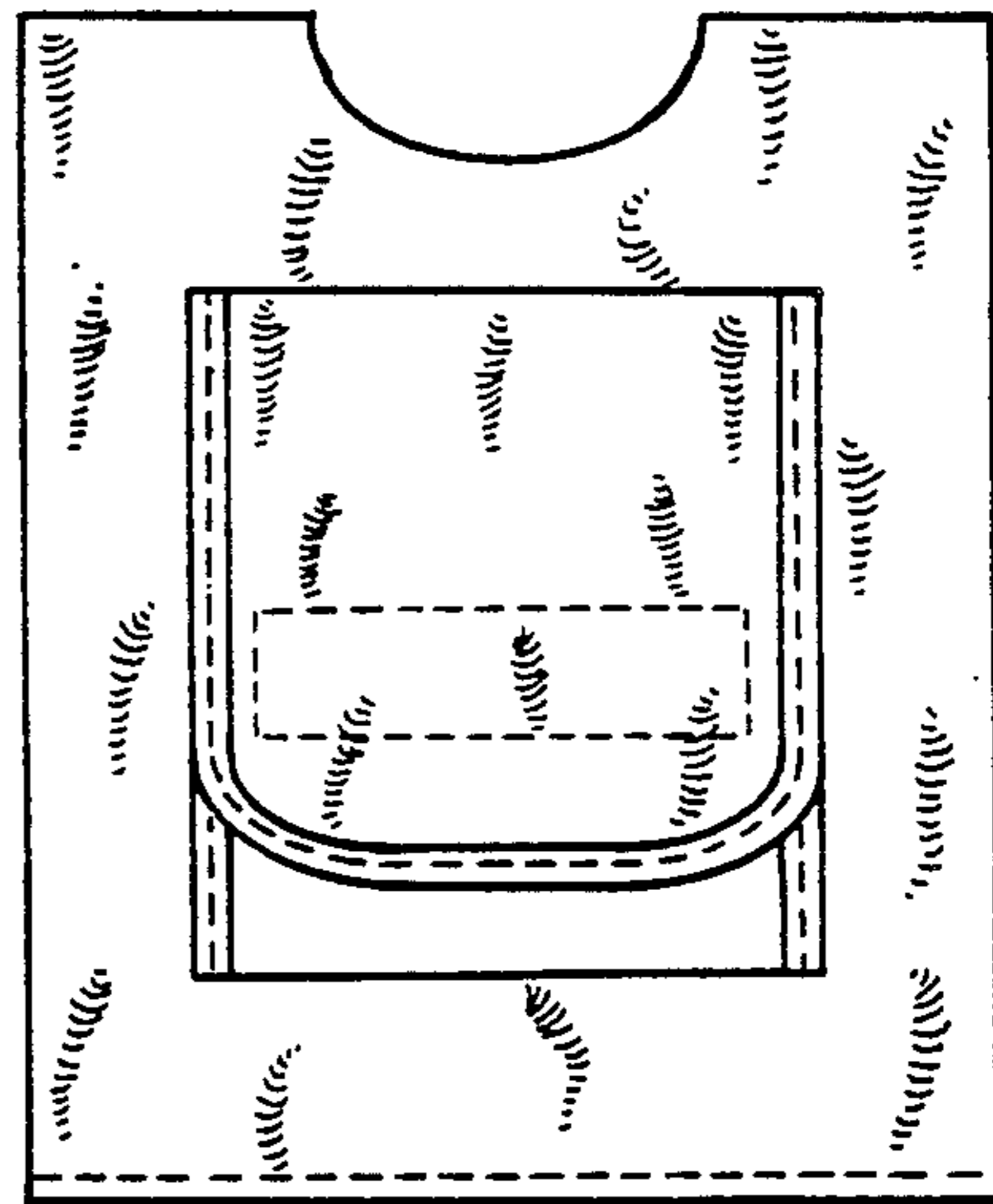
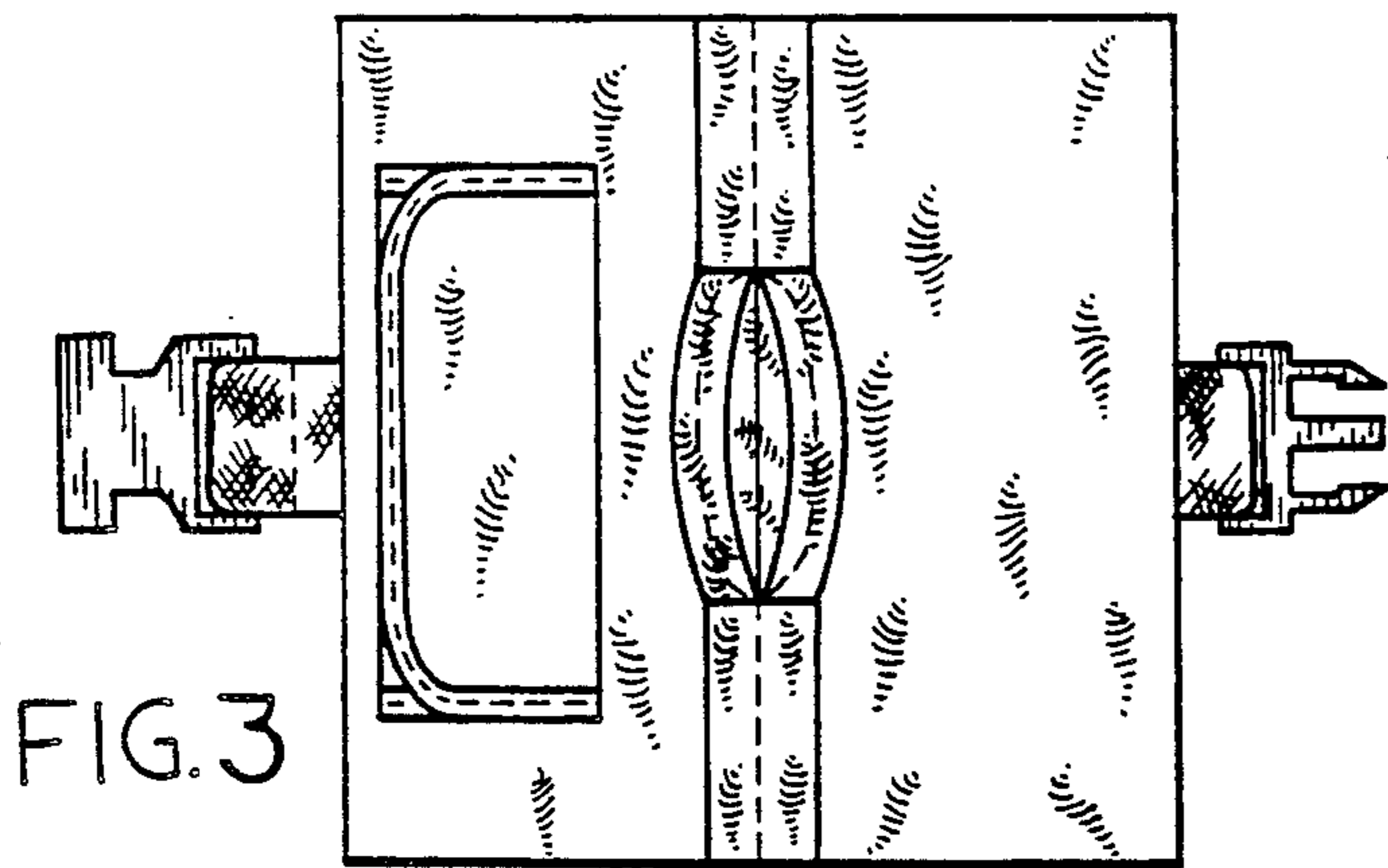


FIG. 4

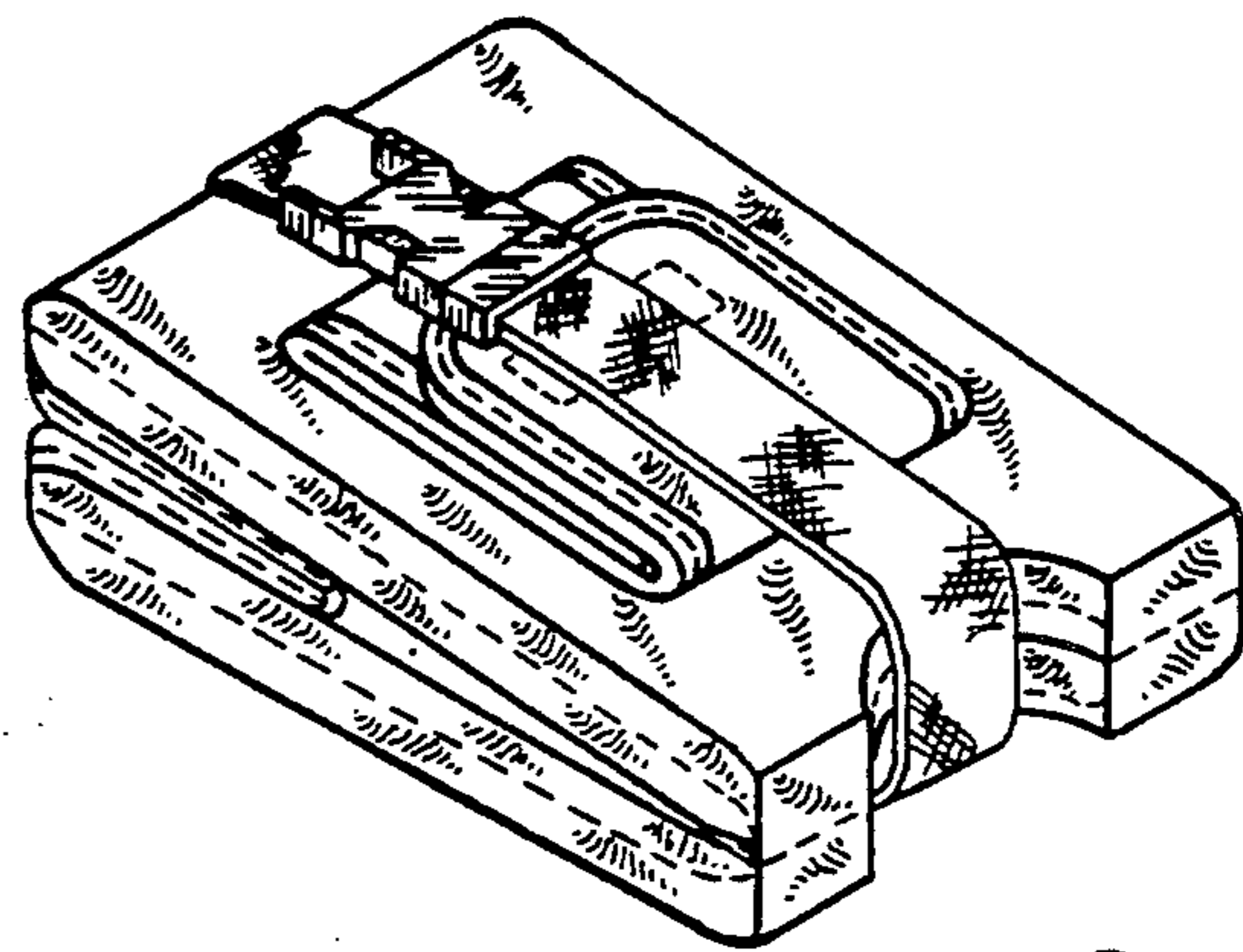
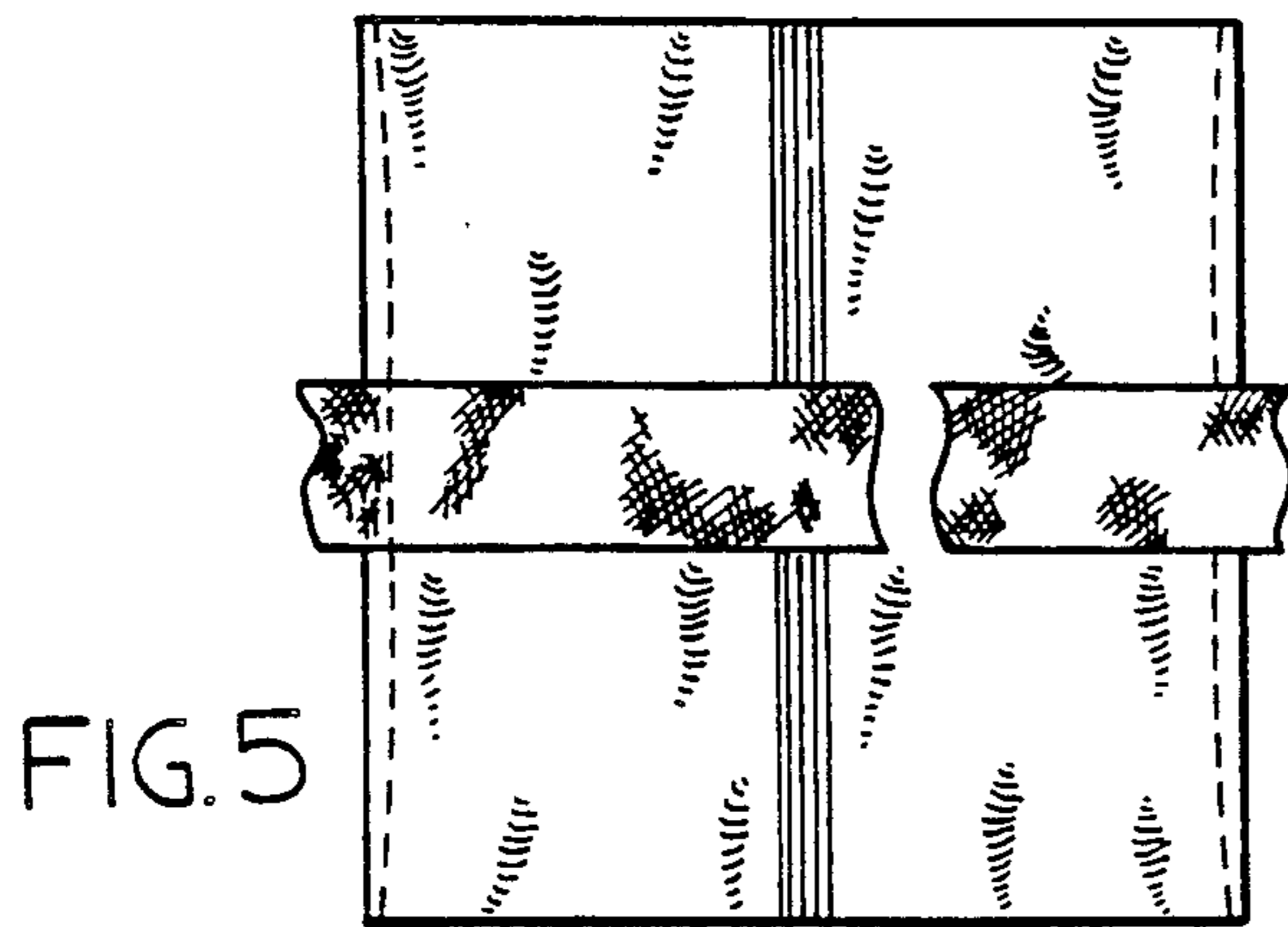


FIG. 6



FIG. 7

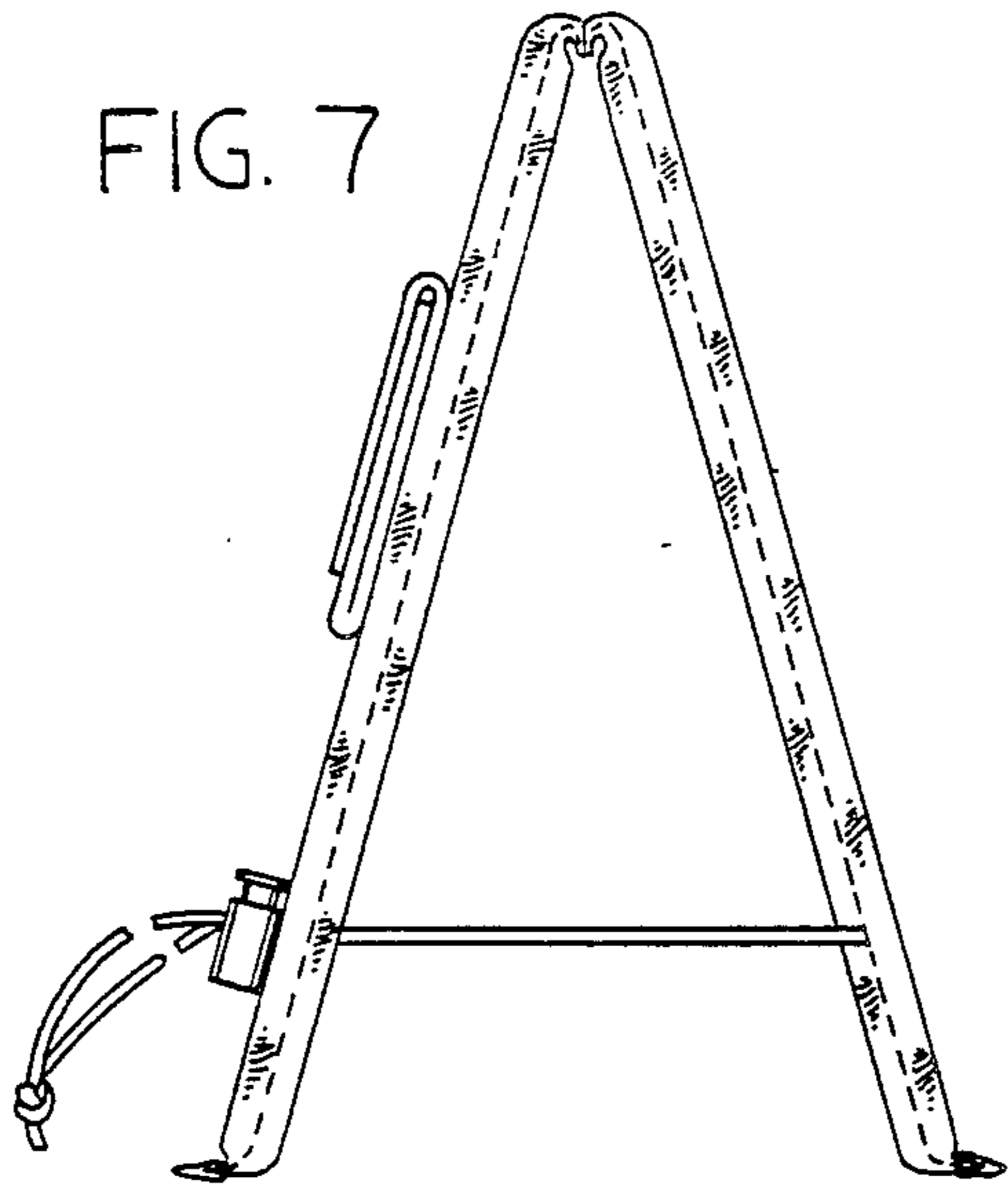


FIG. 8

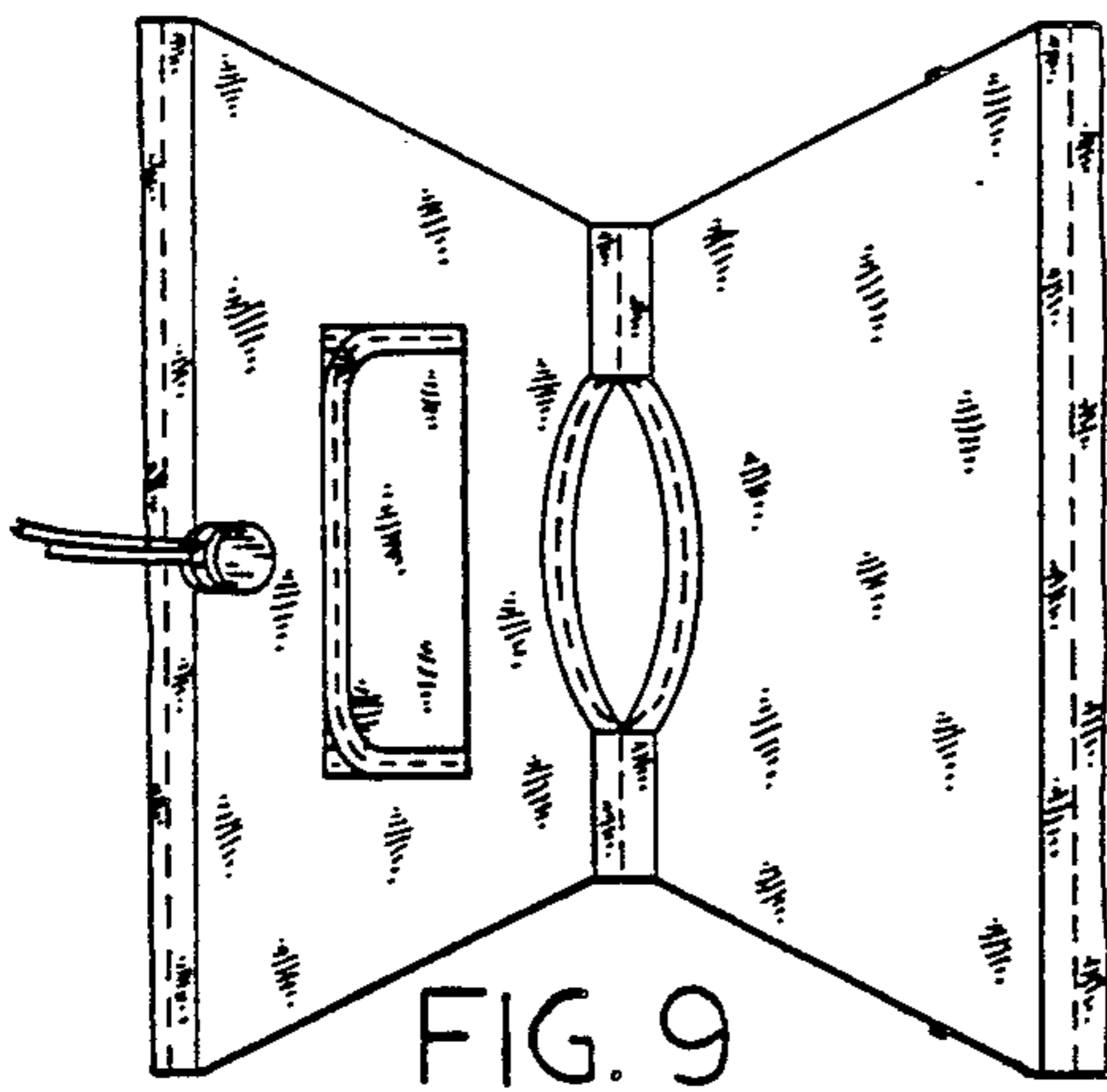
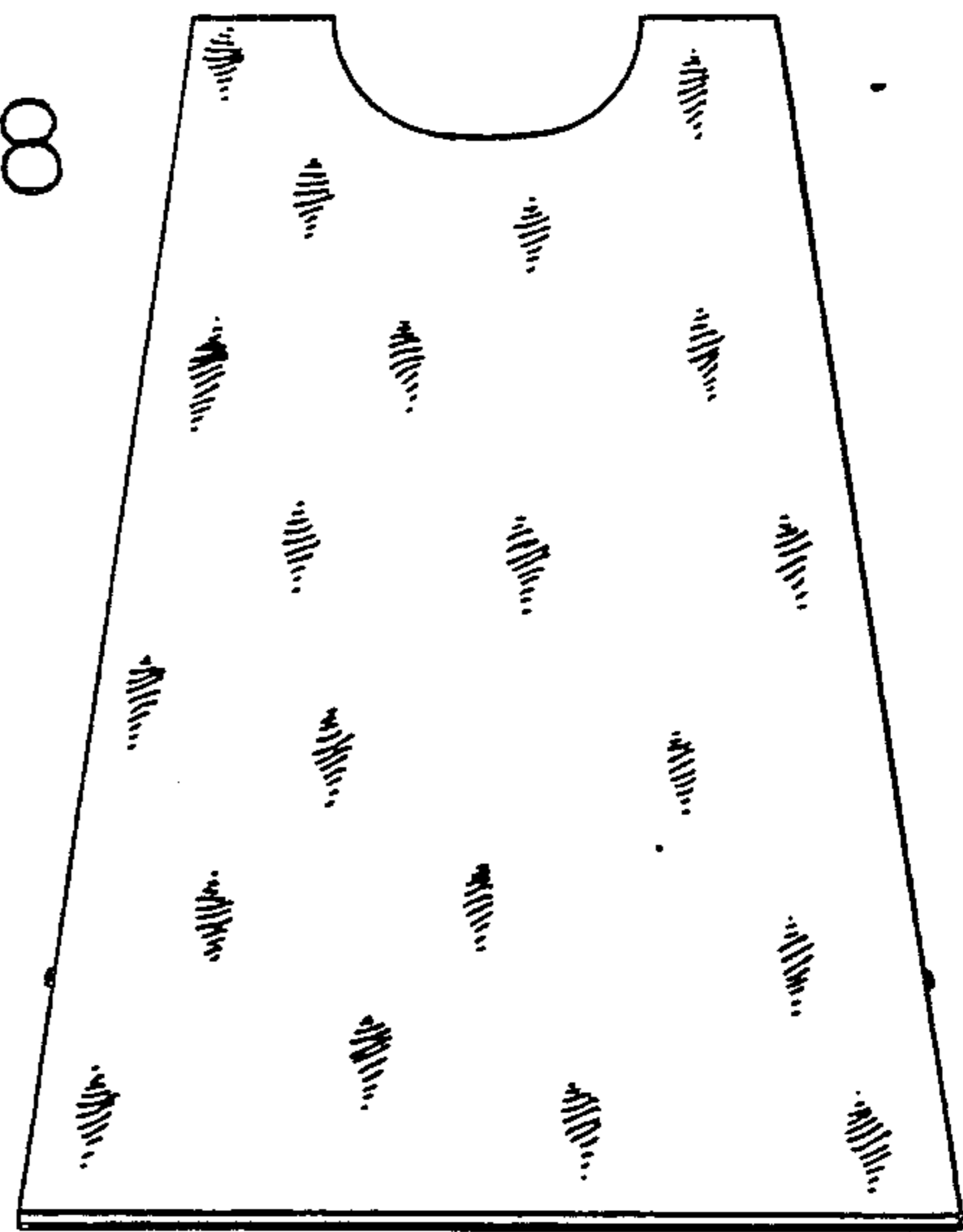


FIG. 9

FIG. 10

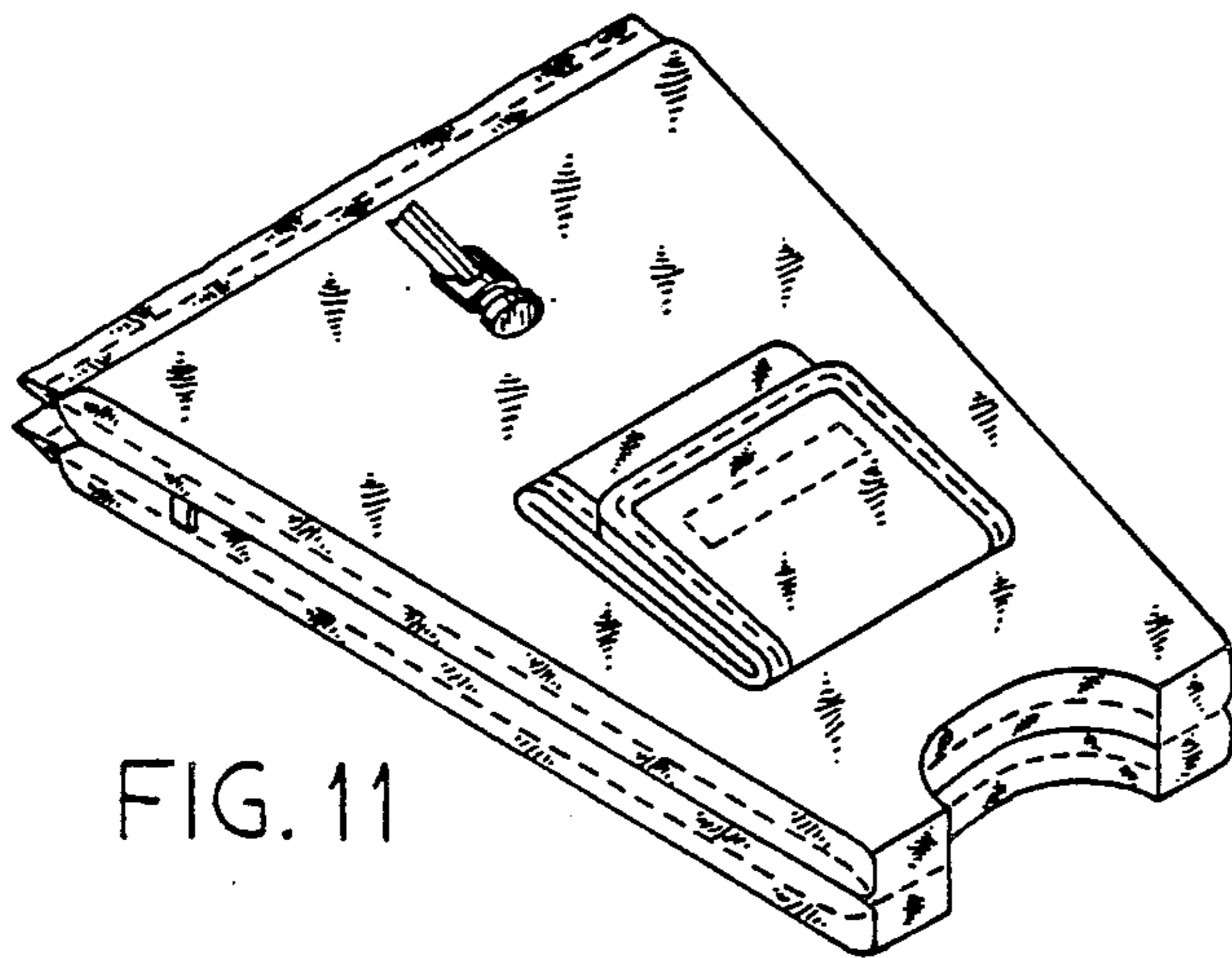
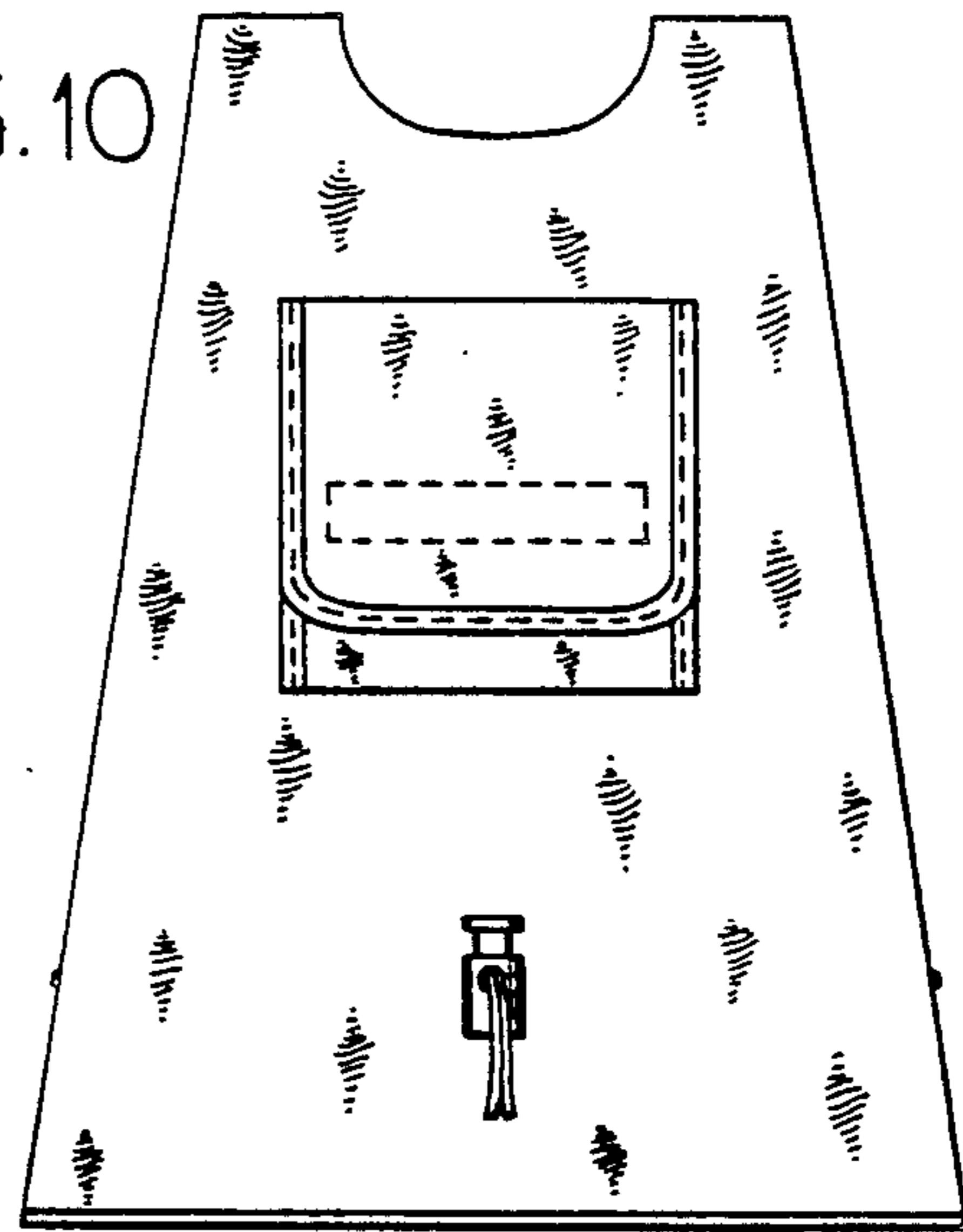


FIG. 11

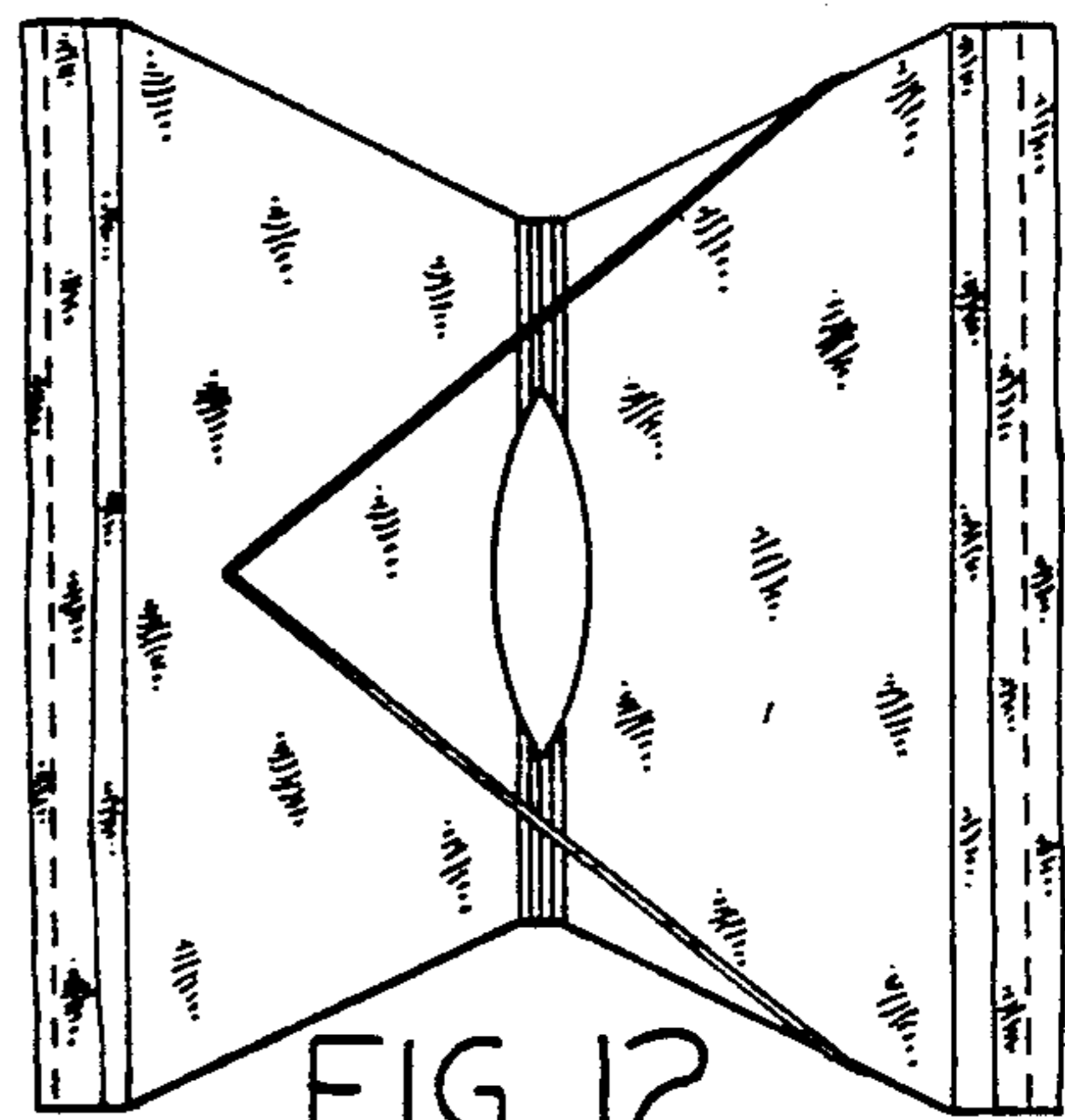


FIG. 12