



US00D324526S

United States Patent [19]

[11] Patent Number: **Des. 324,526**

Degen

[45] Date of Patent: **** Mar. 10, 1992**

[54] **DOWELLING DRILL GUIDE**

4,669,926 6/1987 Wilcox, Jr. 408/115 R X

[76] Inventor: **Klemens Degen**, Zur Geislay 8, 5441 Weibern, Fed. Rep. of Germany

Primary Examiner—Bruce W. Dunkins
Assistant Examiner—Jeffrey Asch
Attorney, Agent, or Firm—Antonelli, Terry Stout & Kraus

[**] Term: **14 Years**

[21] Appl. No.: **291,871**

[57] **CLAIM**

[22] Filed: **Dec. 29, 1988**

The ornamental design for a dowelling drill guide, as shown.

[30] **Foreign Application Priority Data**

DESCRIPTION

Jul. 1, 1988 [DE] Fed. Rep. of Germany ... M8800021

[52] U.S. Cl. **D15/138; D8/70**

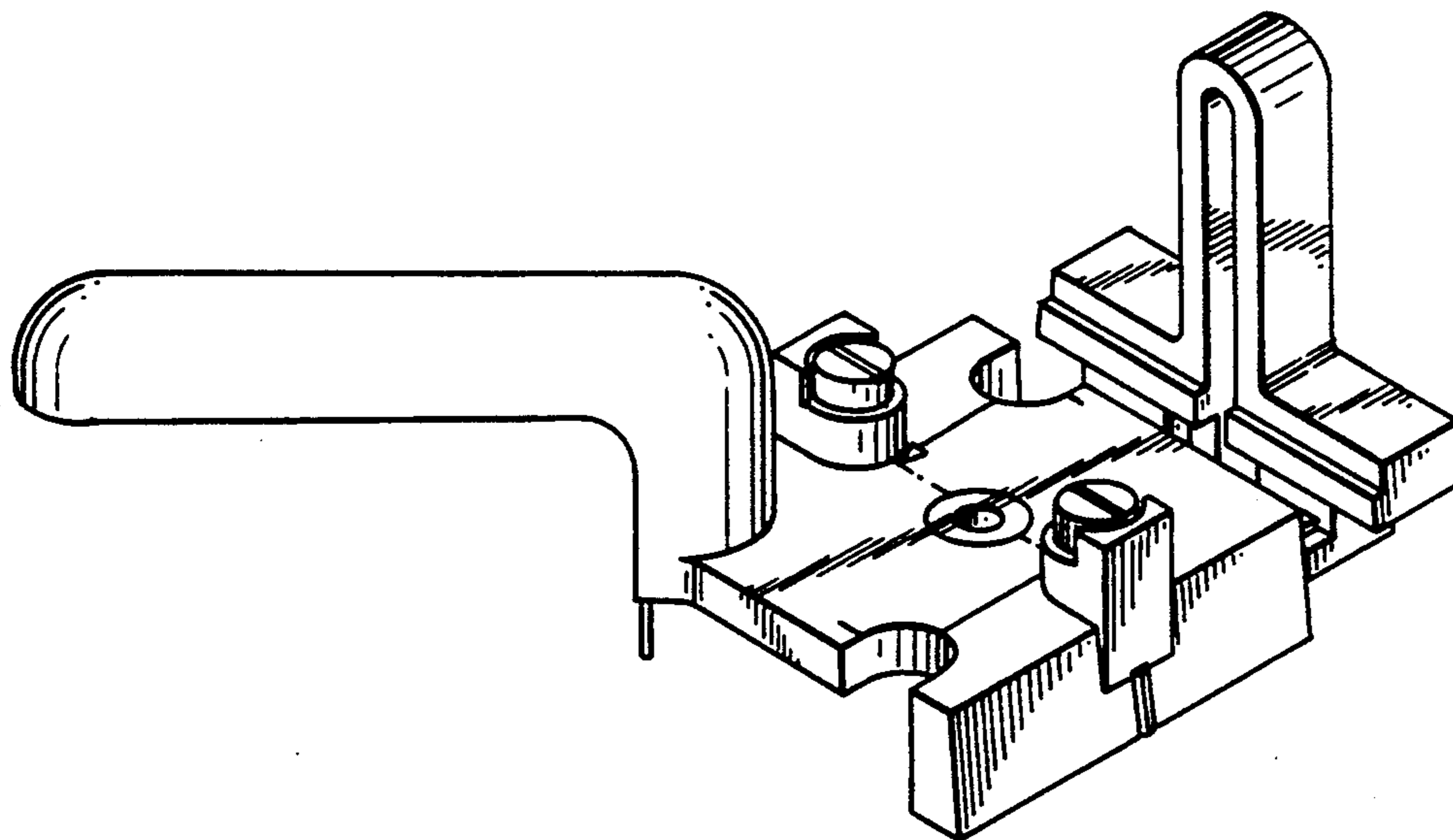
[58] Field of Search D15/133, 126, 138, 139, D15/199, 122; 408/115 R, 115 B, 72 R, 72 B, 97; D8/70, 71

FIG. 1 is a perspective view of a dowelling drill guide showing my new design;
FIG. 2 is a right side elevational view;
FIG. 3 is a left side elevational view;
FIG. 4 is a rear elevational view;
FIG. 5 is a front elevational view;
FIG. 6 is a top plan view;
FIG. 7 is a bottom plan view;
FIG. 8 is a right side elevational view in an alternate position for use; and
FIG. 9 is a bottom plan view thereof.

[56] **References Cited**

U.S. PATENT DOCUMENTS

| | | | |
|-----------|---------|----------------|-------------|
| 2,740,308 | 4/1956 | Blanchard | 408/72 |
| 3,276,326 | 10/1966 | Gibbons et al. | 408/72 X |
| 4,256,420 | 3/1981 | Day | 408/115 R |
| 4,522,539 | 6/1985 | Gibbs | 408/115 R X |



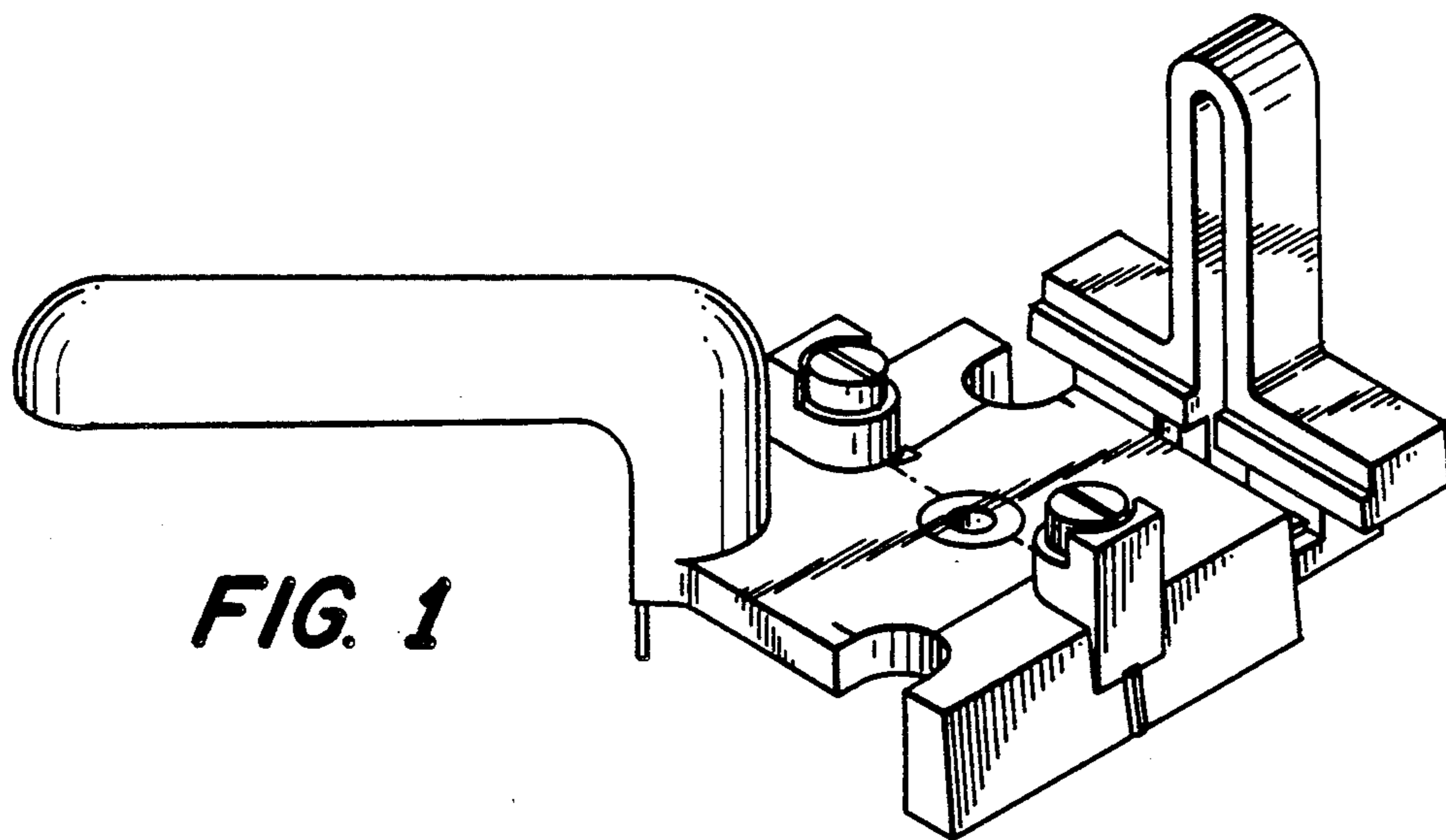


FIG. 1

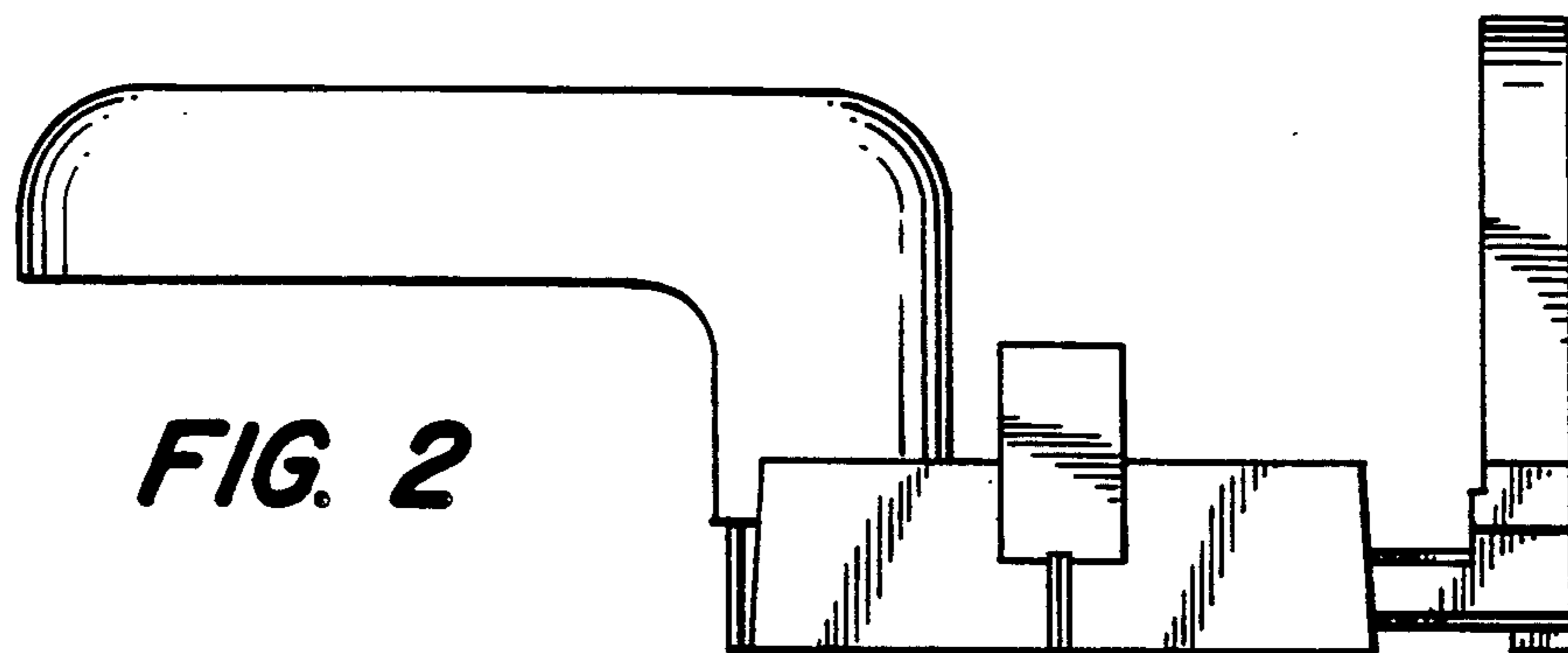


FIG. 2

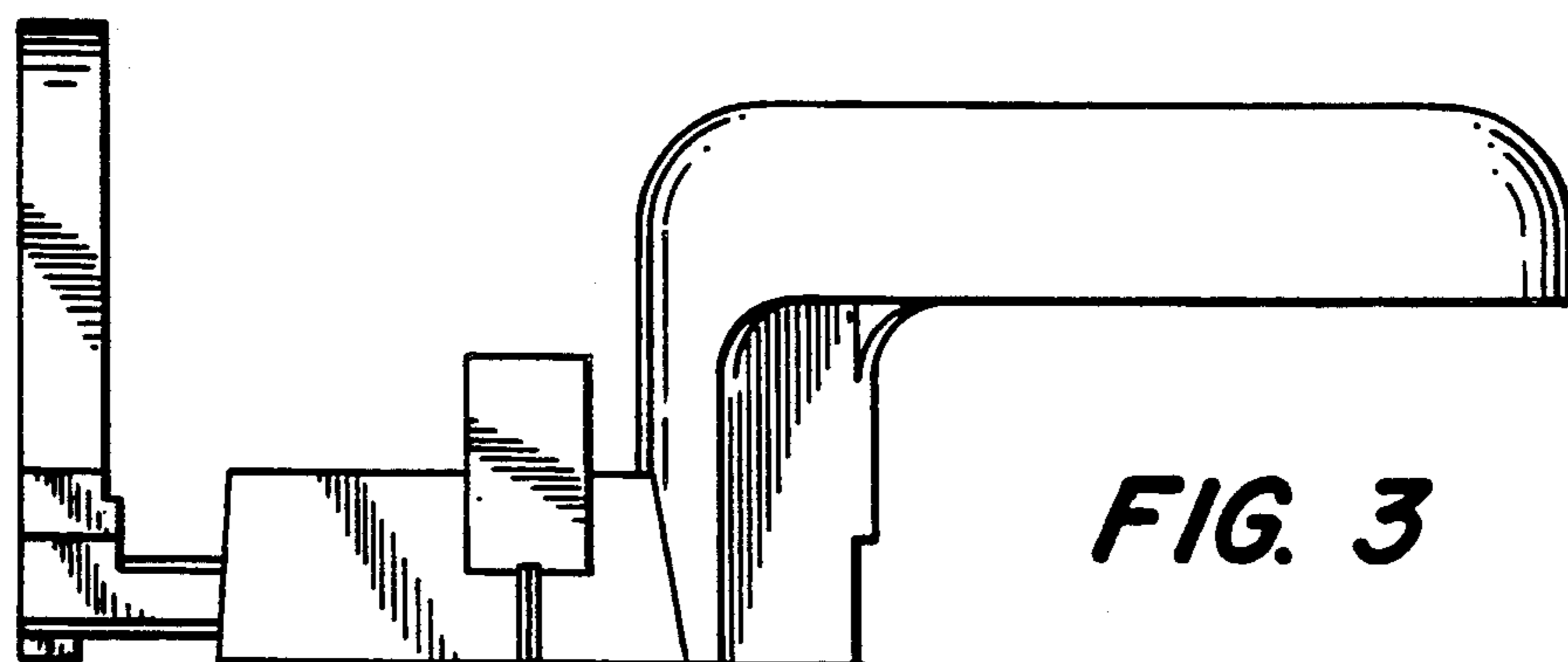


FIG. 3

FIG. 4

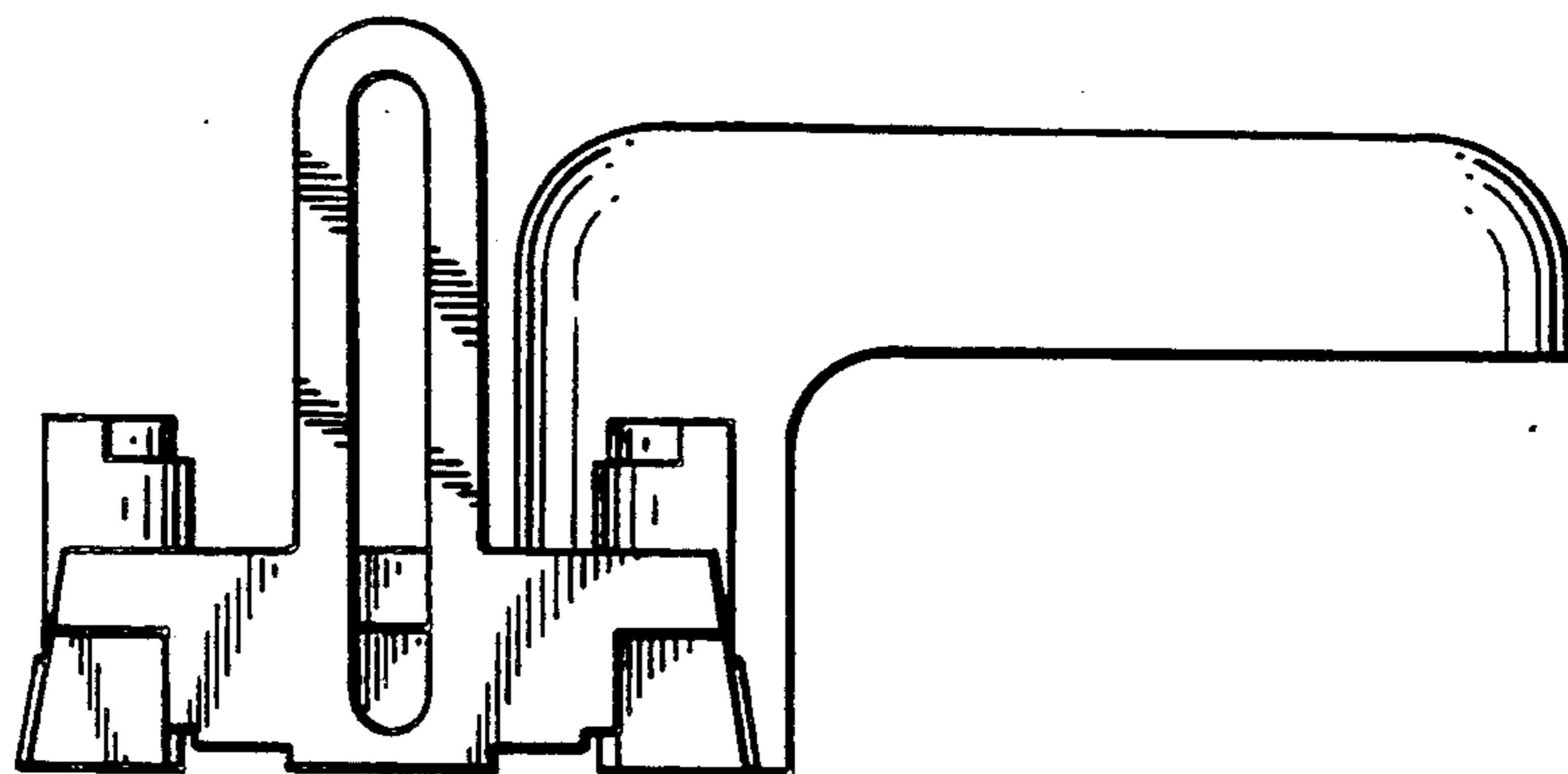
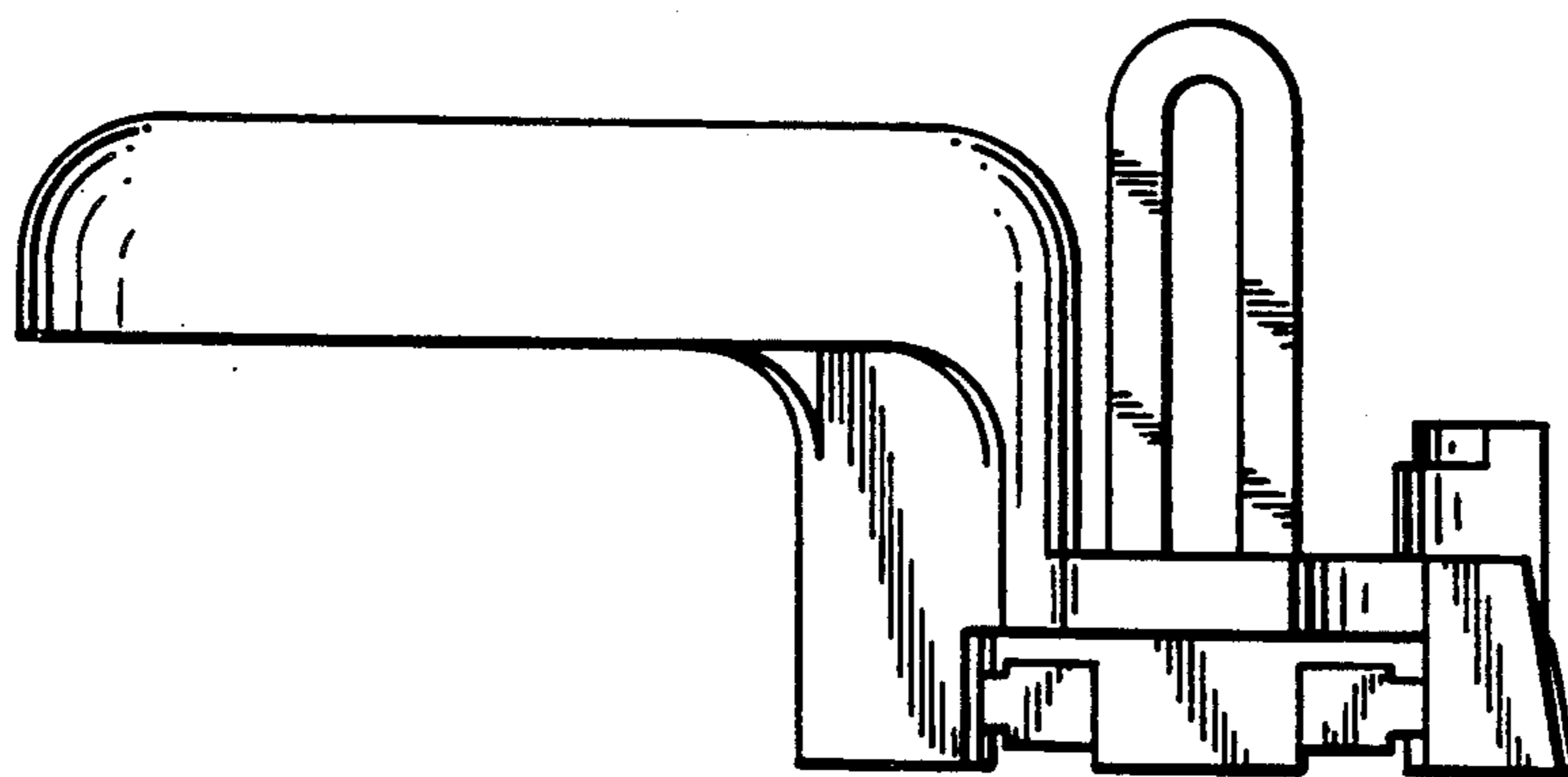


FIG. 5



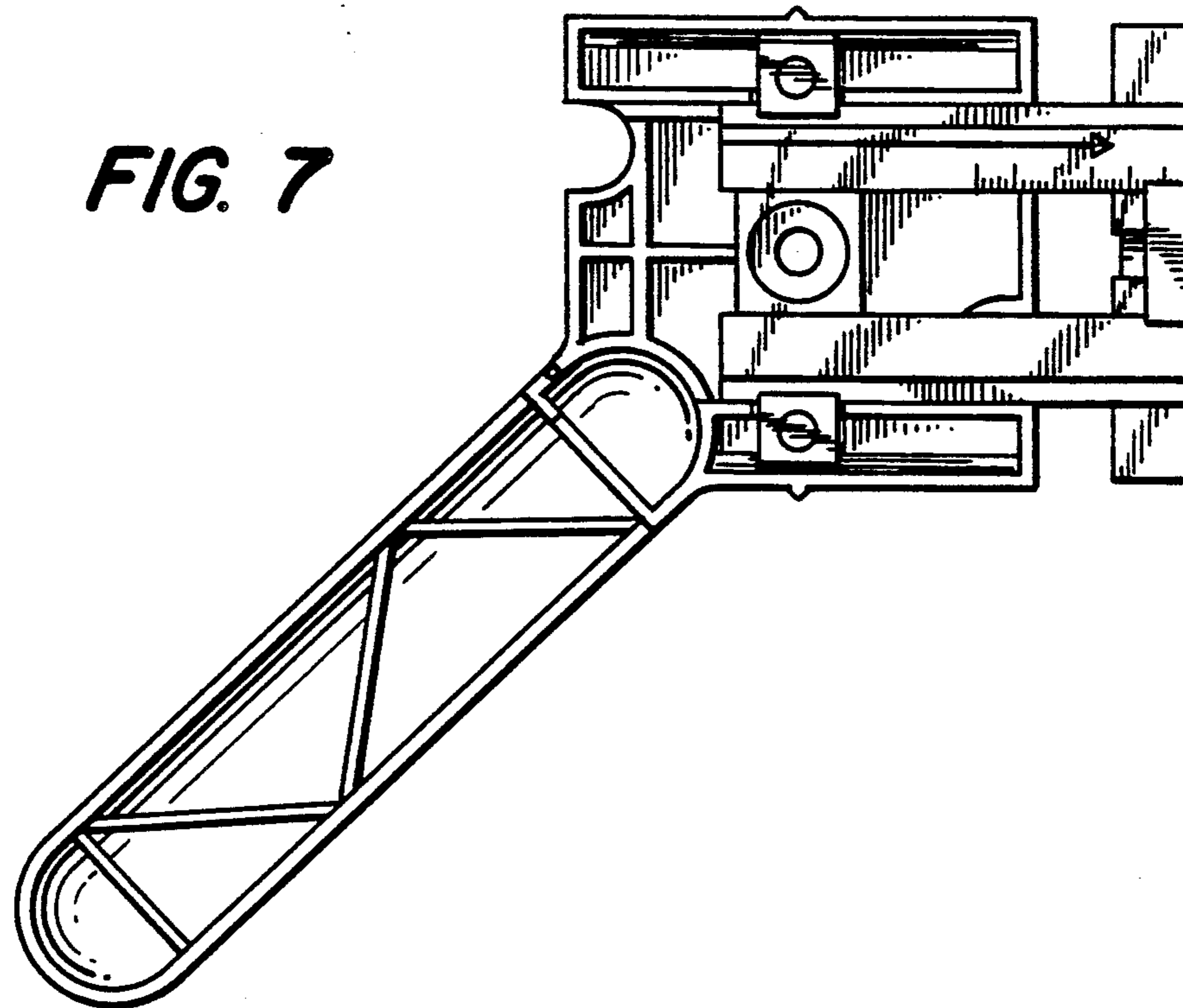
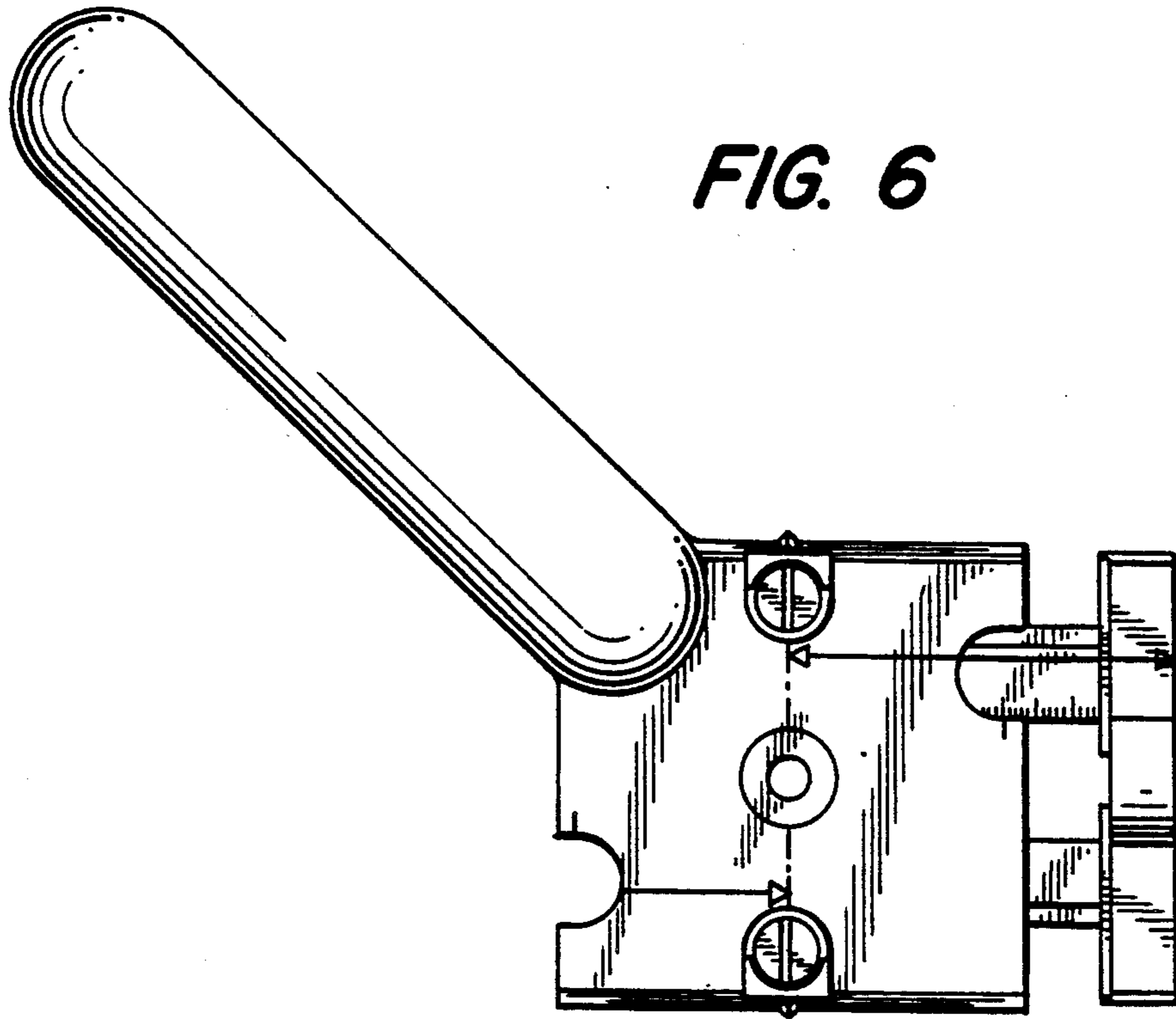


FIG. 8

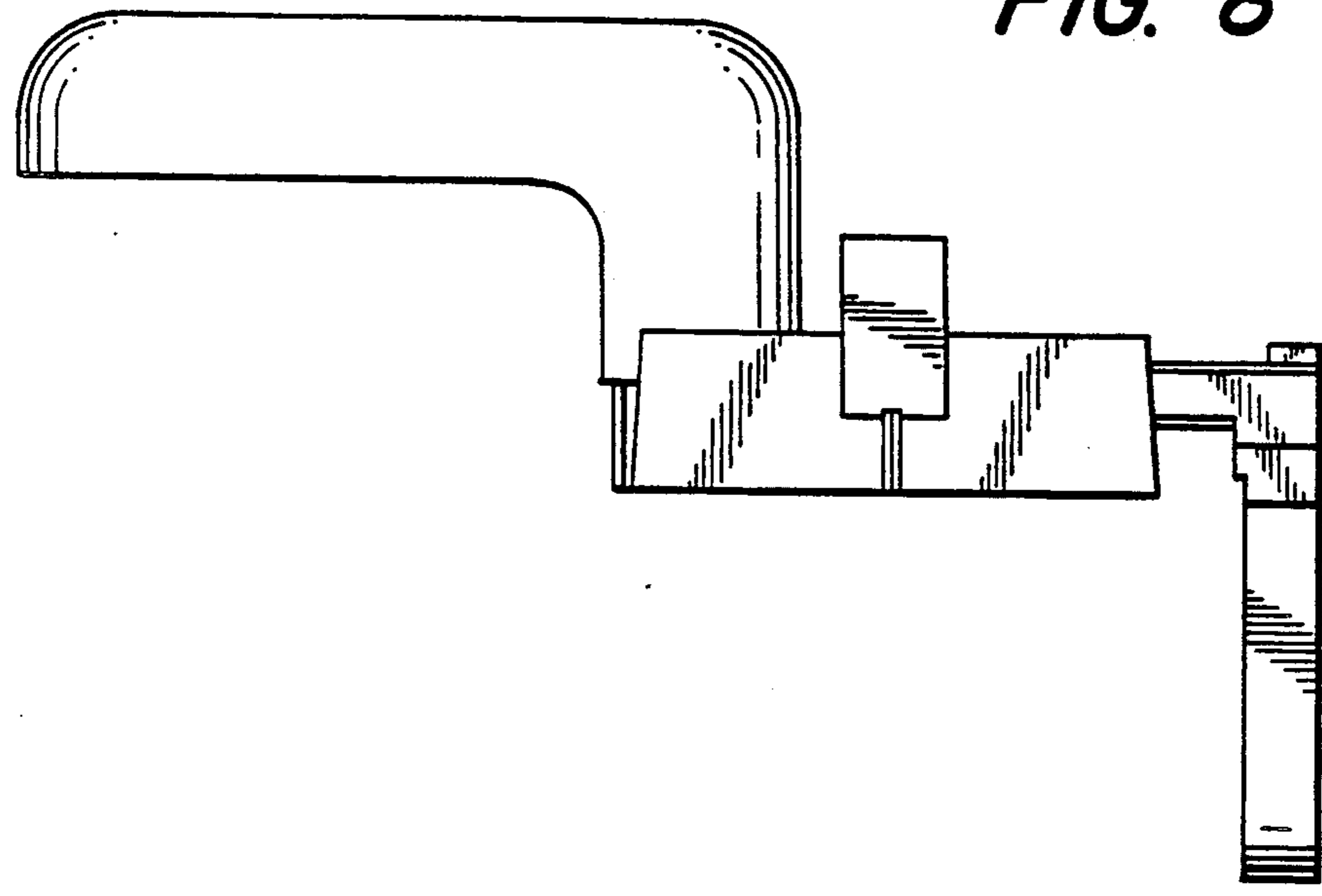
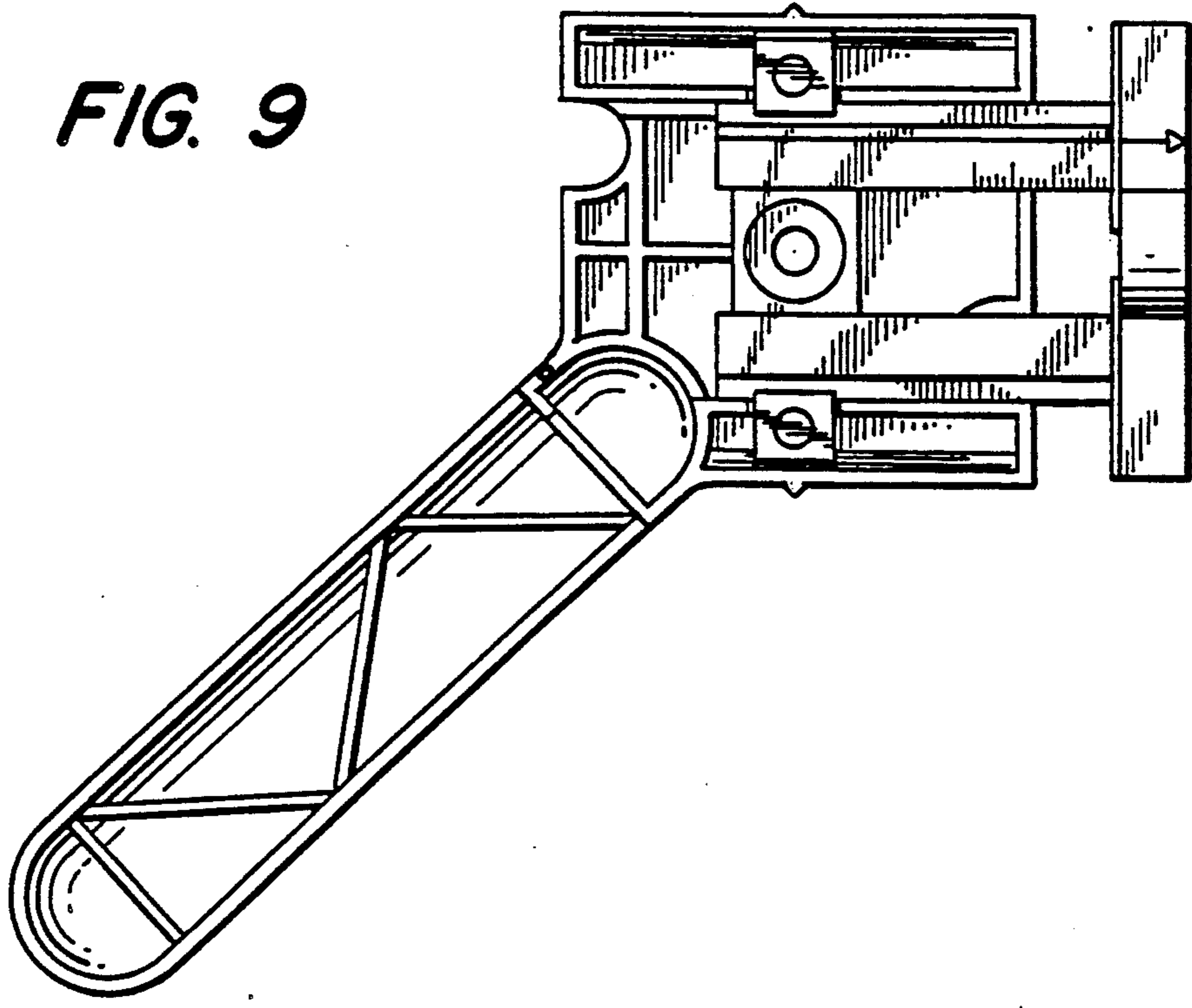


FIG. 9



UNITED STATES PATENT AND TRADEMARK OFFICE
CERTIFICATE OF CORRECTION

PATENT NO. : Des. 324,526
DATED : Mar. 10, 1992
INVENTOR(S) : Klemens Degen

It is certified that error appears in the above-identified patent and that said Letters Patent is hereby corrected as shown below:

Title page, please add:
Assignee: Werkzeug GmbH
Weibern, West Germany

Signed and Sealed this
Twenty-third Day of August, 1994

Attest:



BRUCE LEHMAN

Attesting Officer

Commissioner of Patents and Trademarks