



US00D324520S

# United States Patent [19]

Cheung

[11] Patent Number: Des. 324,520

[45] Date of Patent: \*\* Mar. 10, 1992

[54] **HANDSET TELEPHONE OR SIMILAR ARTICLE**

[75] Inventor: Fuk Fan Cheung, Hong Kong, Hong Kong

[73] Assignee: Wang Lee Corporation, Tortola, Venezuela

[\*\*] Term: 14 Years

[21] Appl. No.: 600,212

[22] Filed: Oct. 22, 1990

[30] **Foreign Application Priority Data**

Apr. 18, 1990 [GB] United Kingdom ..... 2006246

[52] U.S. Cl. .... D14/148; D14/138

[58] Field of Search ..... D14/138, 147, 148, 248, D14/151, 149; 379/454, 433, 434; 455/89, 90

[56] **References Cited**

**U.S. PATENT DOCUMENTS**

- D. 273,492 4/1984 Coons et al. .... D14/147
- D. 277,379 1/1985 Cooke et al. .... D14/147
- D. 278,053 3/1985 Menn et al. .... D14/147
- D. 279,981 8/1985 Tsukamoto ..... D14/138
- D. 284,663 7/1986 Edwards ..... D14/138
- D. 296,692 7/1988 Besford et al. .... D14/148 X

- D. 297,732 9/1988 Chan ..... D14/142
- D. 298,751 11/1988 Shin ..... D14/147
- D. 305,888 2/1990 Bevilacqua et al. .... D14/147 X
- D. 316,409 4/1991 Sharbaugh ..... D14/148
- 4,984,269 1/1991 Holzhauser ..... 379/454

**OTHER PUBLICATIONS**

J. C. Penny Catalog, ©1989: Item 3 A639-8150A: upper right hand corner: AT&T Cordless 4210.

Primary Examiner—Horace B. Fay, Jr.  
Attorney, Agent, or Firm—Spensley Horn Jubas & Lubitz

[57] **CLAIM**

The design for a handset telephone or similar article, as shown and described.

**DESCRIPTION**

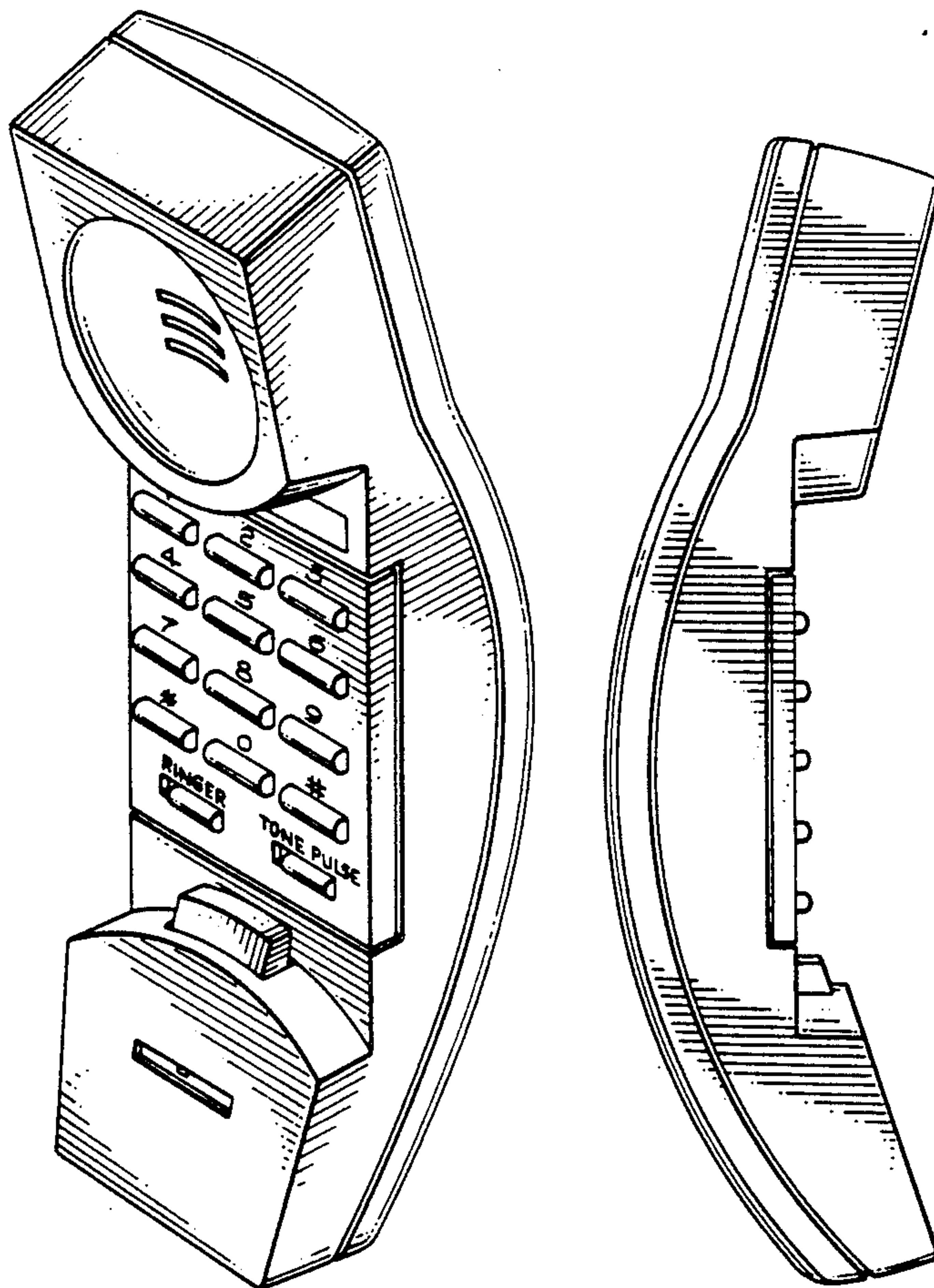
FIG. 1 is a front, top and right side perspective view of a handset telephone or similar article showing my new design;

FIG. 2 is a front elevational view thereof;

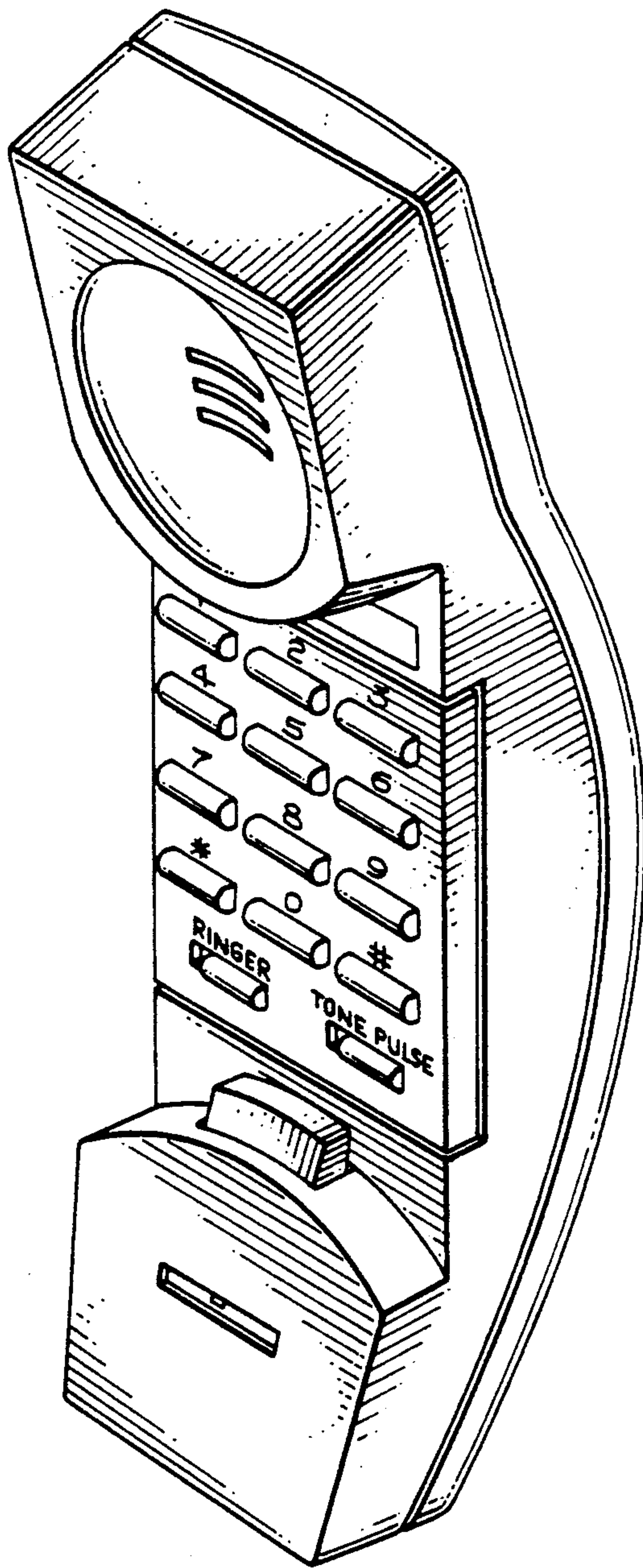
FIG. 3 is a left side elevational view thereof; the side opposite view being a mirror image;

FIGS. 4 and 5 are respectively top and bottom plan view thereof; and

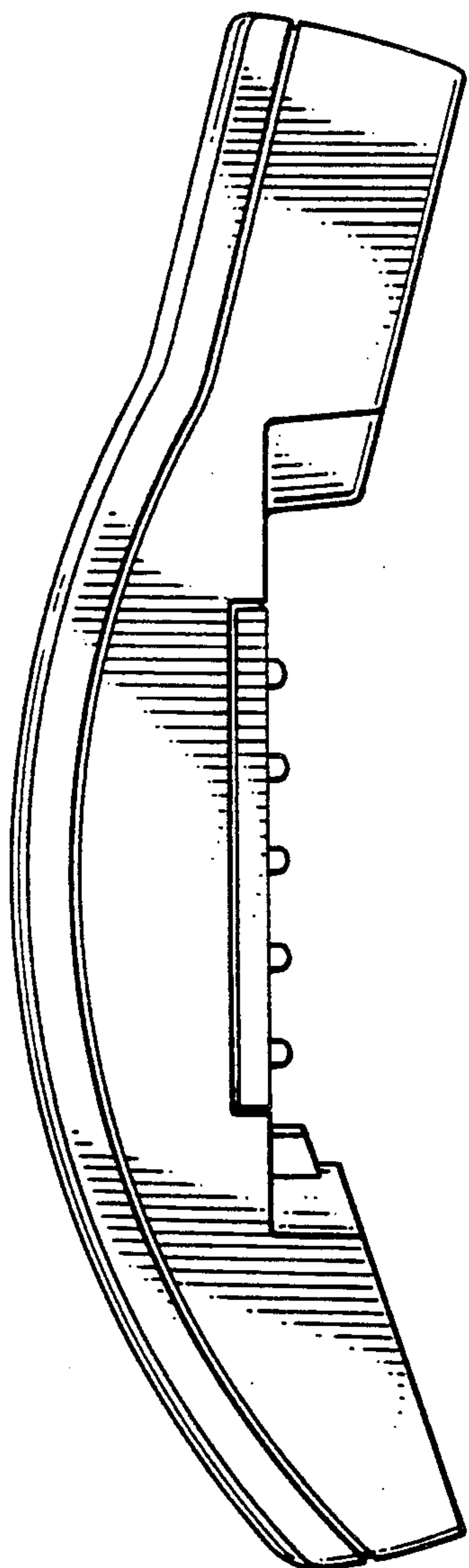
FIG. 6 is a rear elevational view thereof.



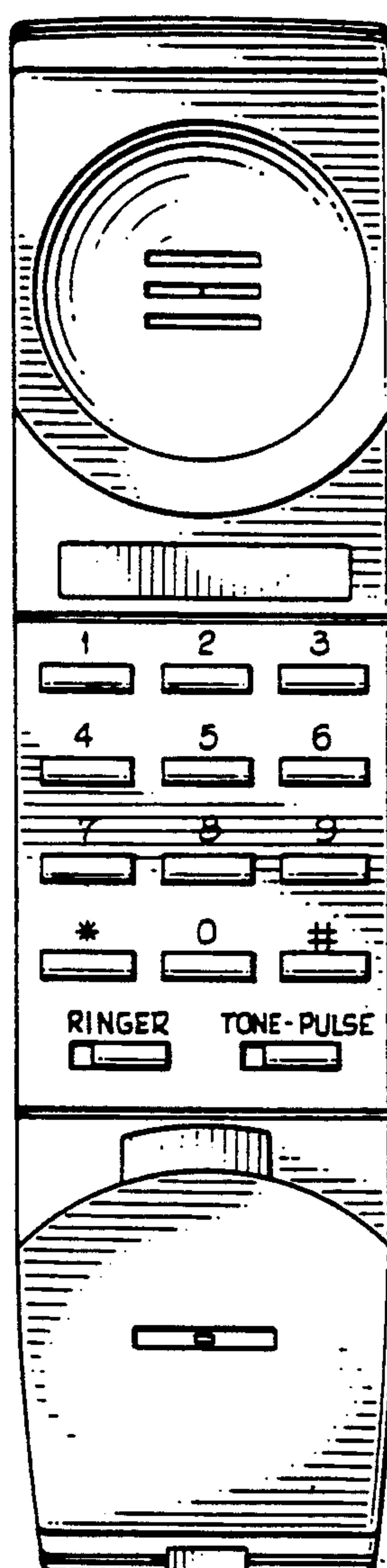
*FIG. 1*



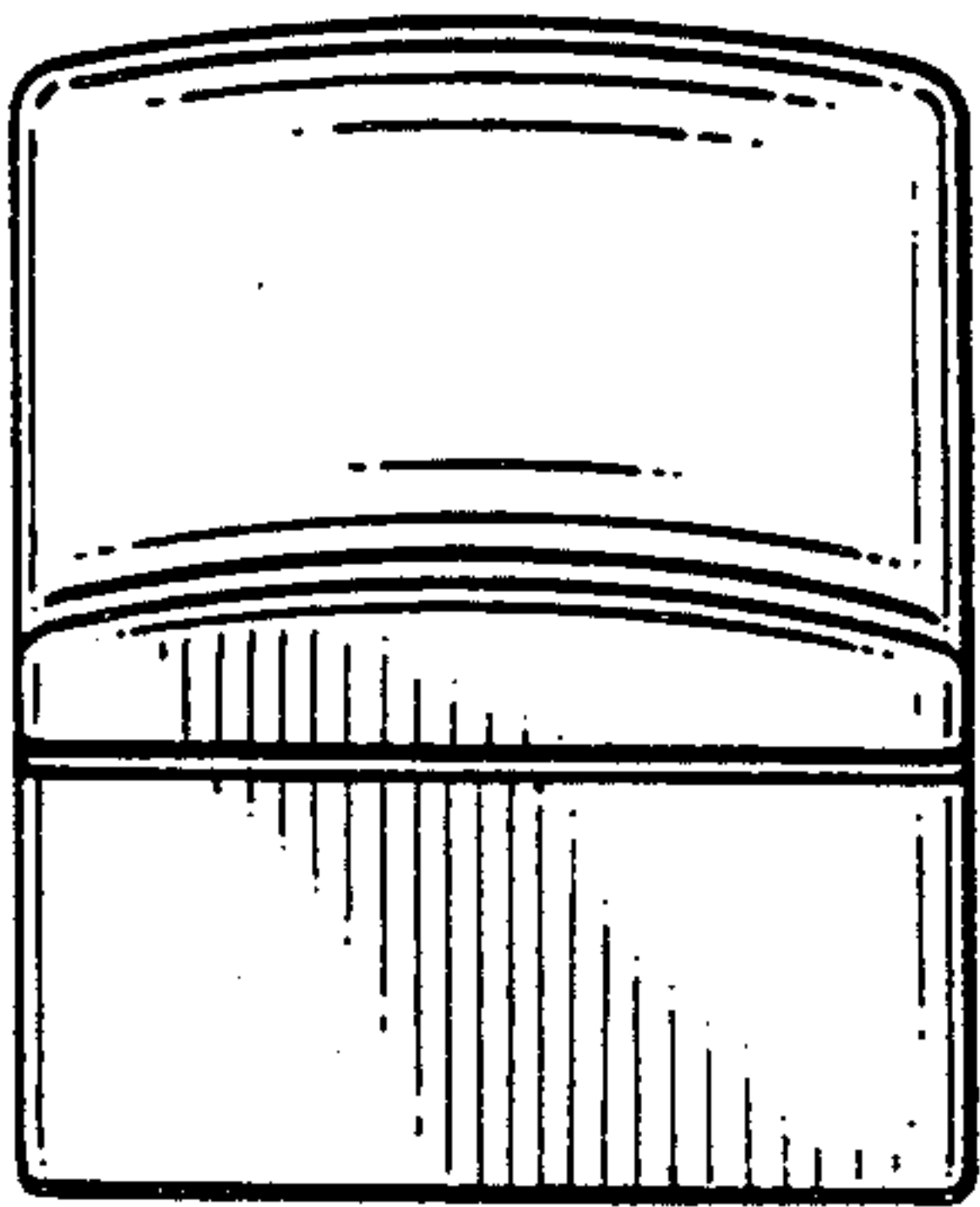
*FIG. 3*



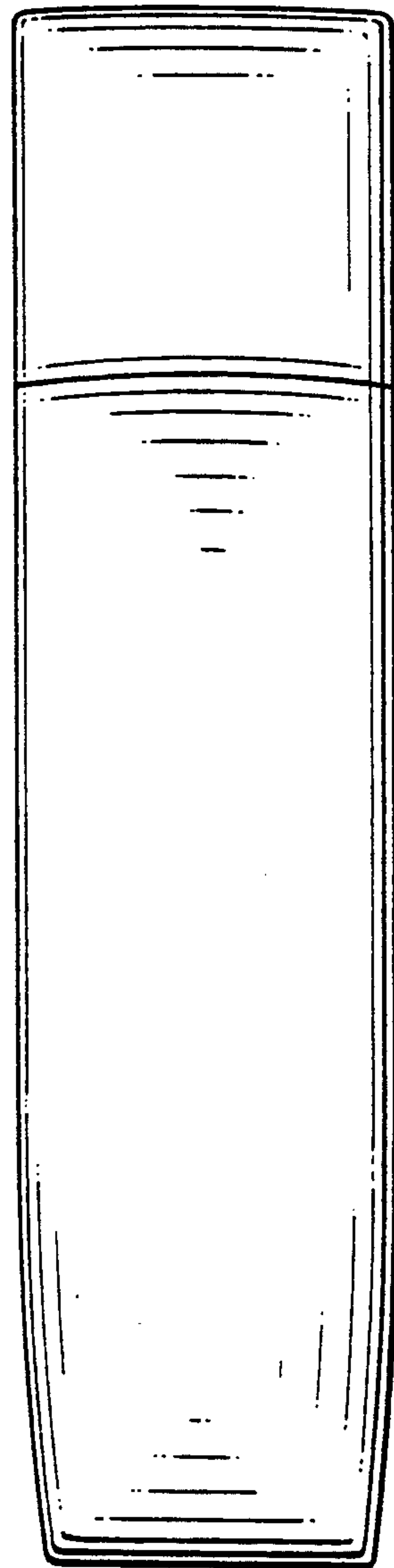
*FIG. 2*



*Fig. 4*



*Fig. 6*



*Fig. 5*

