



US00D324517S

United States Patent [19]

[11] Patent Number: **Des. 324,517**

Barbieri

[45] Date of Patent: **** Mar. 10, 1992**

[54] **COMBINED TV SET AND VIDEO TAPE RECORDER**

D. 310,522 9/1990 Yang D14/129

[75] Inventor: **Jonathan Barbieri, Lucca, Italy**

OTHER PUBLICATIONS

[73] Assignee: **Polaris L.T.D. S.r.l., Lucca, Italy**

HFD, 06/01/87, p. 100, top left-RCA TV model GPR2790.

[**] Term: **14 Years**

Primary Examiner—Theodore M. Shooman
Attorney, Agent, or Firm—Longacre & White

[21] Appl. No.: **538,505**

[57] CLAIM

[22] Filed: **Jun. 15, 1990**

The ornamental design for a combined TV set and video tape recorder, as shown and described.

[30] Foreign Application Priority Data

DESCRIPTION

Dec. 19, 1989 [IT] Italy 33626/89[U]

[52] U.S. Cl. **D14/129; D14/126**

[58] Field of Search **D14/124-135, D14/113; 358/236-239, 254-255; 312/7.2**

FIG. 1 is a top, front and left side perspective view of a combined TV set and video tape recorder showing my new design;

FIG. 2 is a front elevation view thereof;

FIG. 3 is a rear elevation view thereof;

FIG. 4 is a top plan view thereof;

FIG. 5 is a bottom plan view thereof;

FIG. 6 is a left side elevation view thereof; and

FIG. 7 is a right side elevation view thereof.

[56] References Cited

U.S. PATENT DOCUMENTS

D. 256,920 9/1980 Takashima et al. D14/126

D. 310,363 9/1990 Shim D14/129

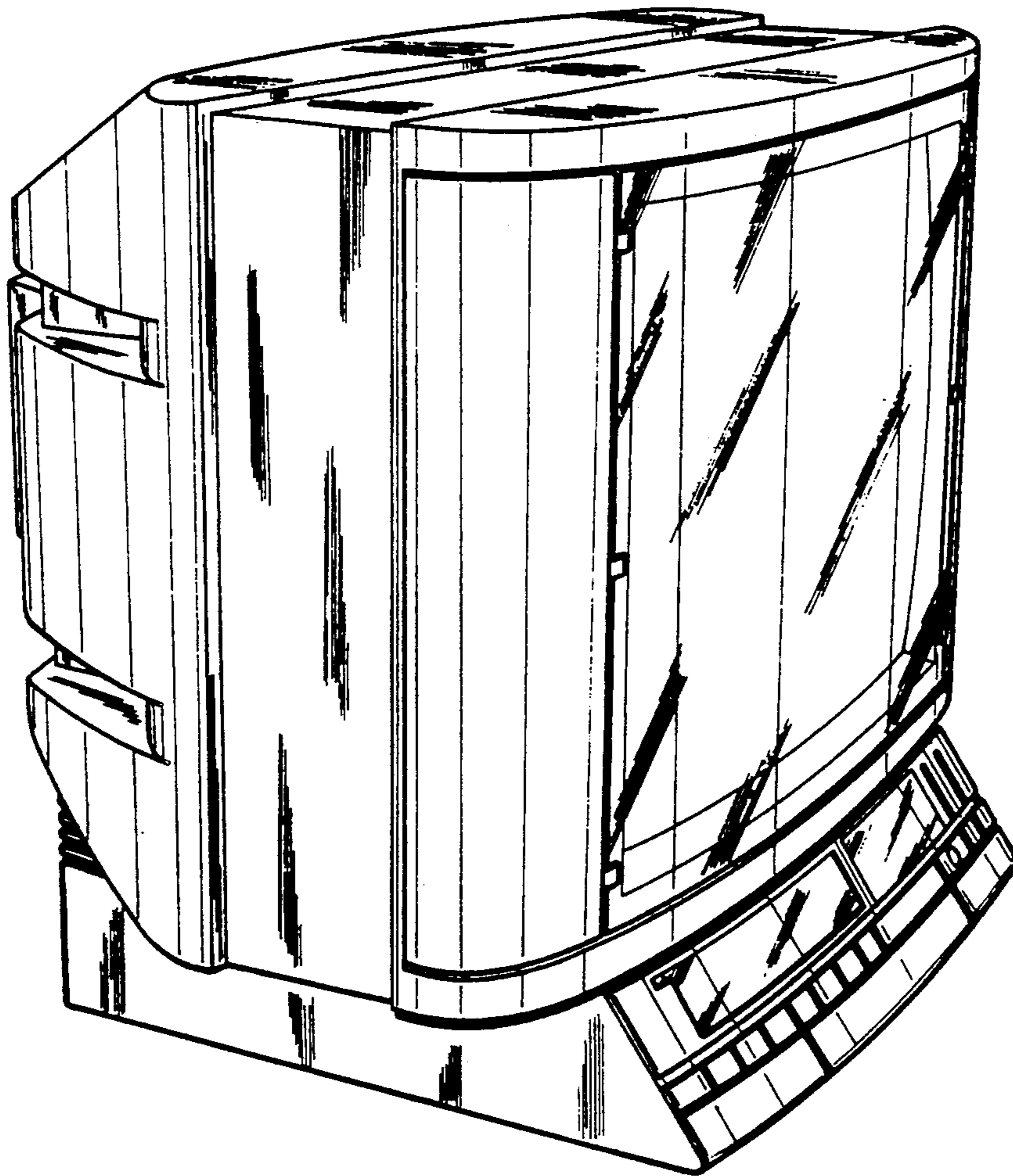
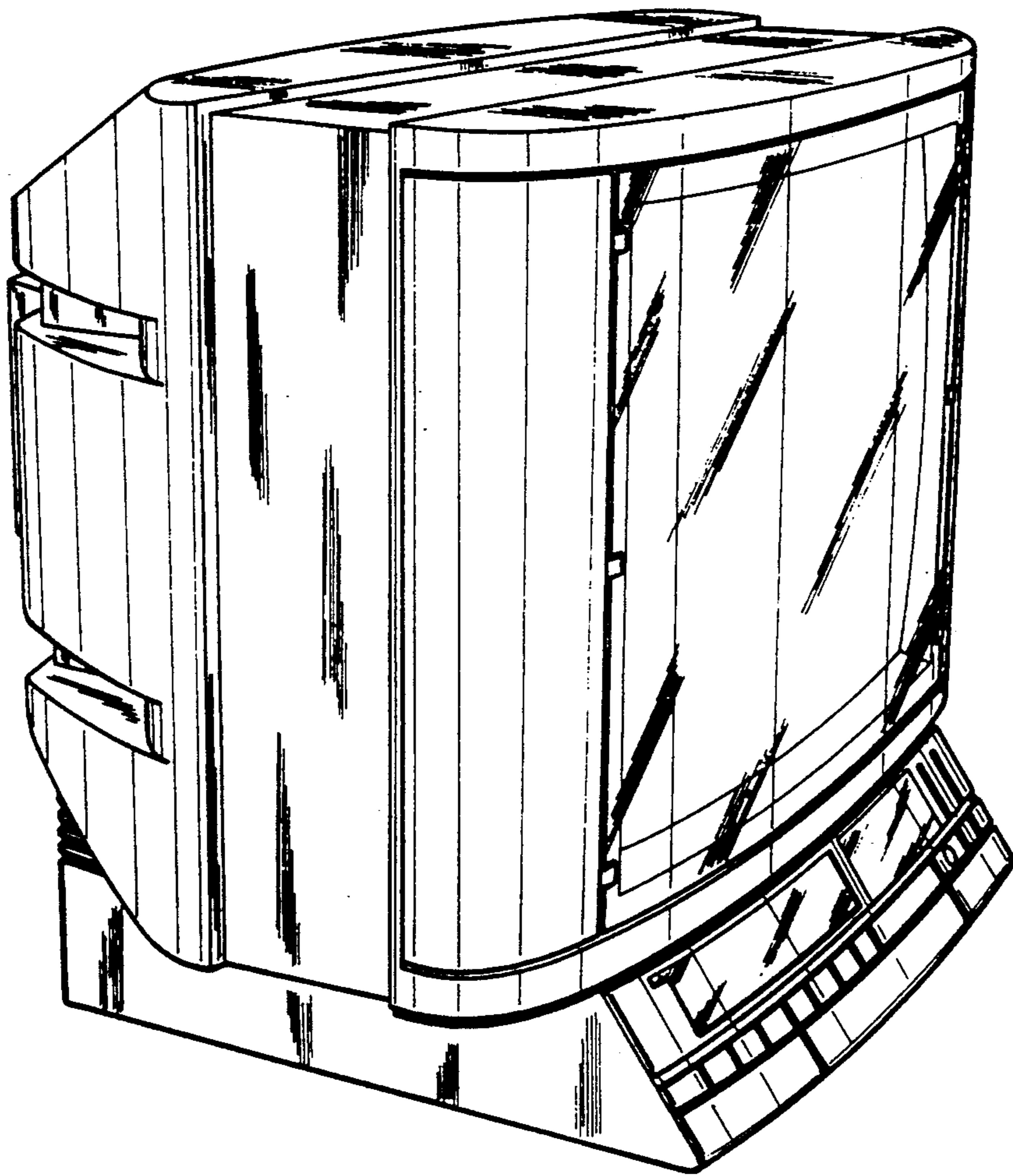


Fig.1



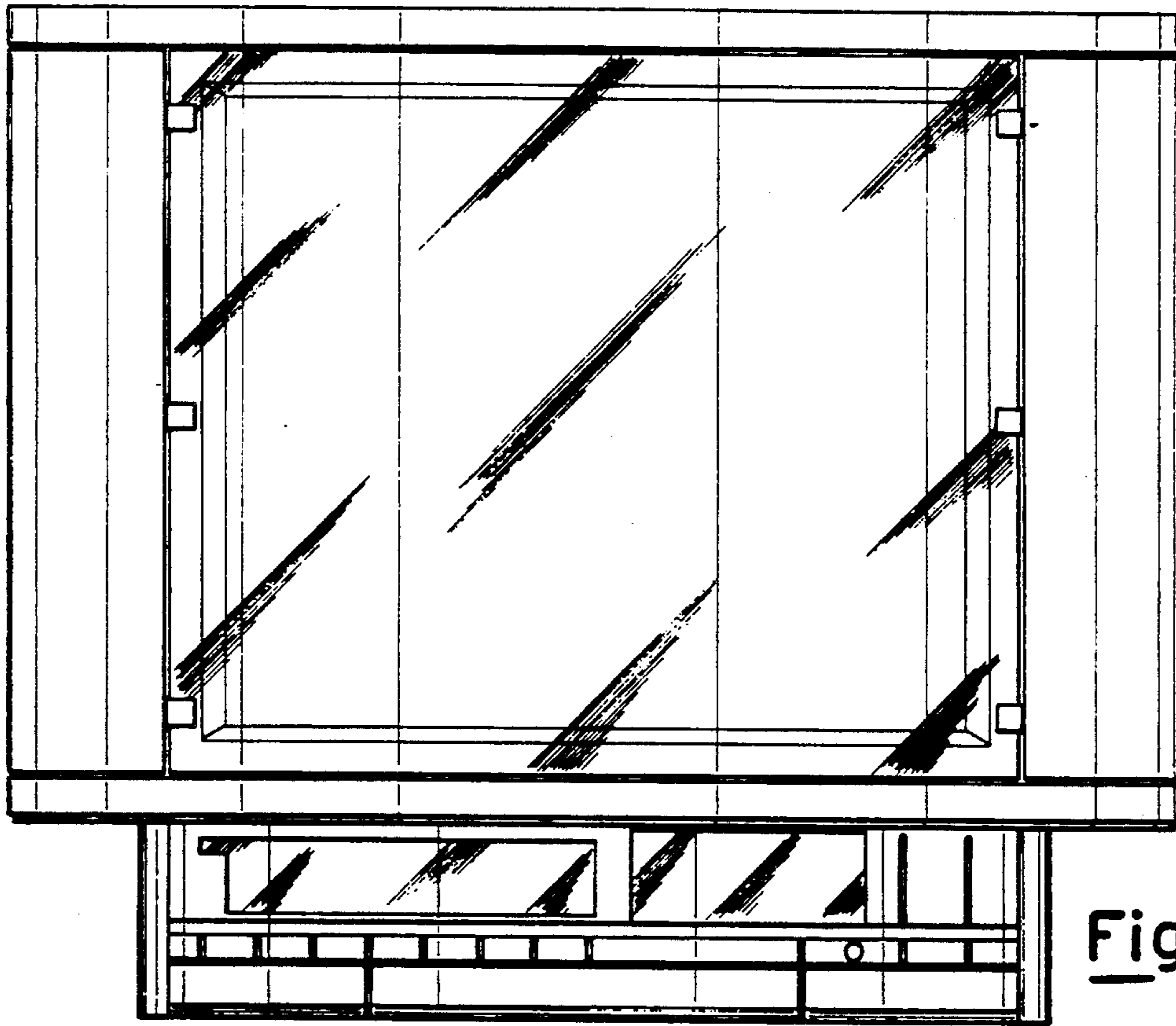


Fig. 2

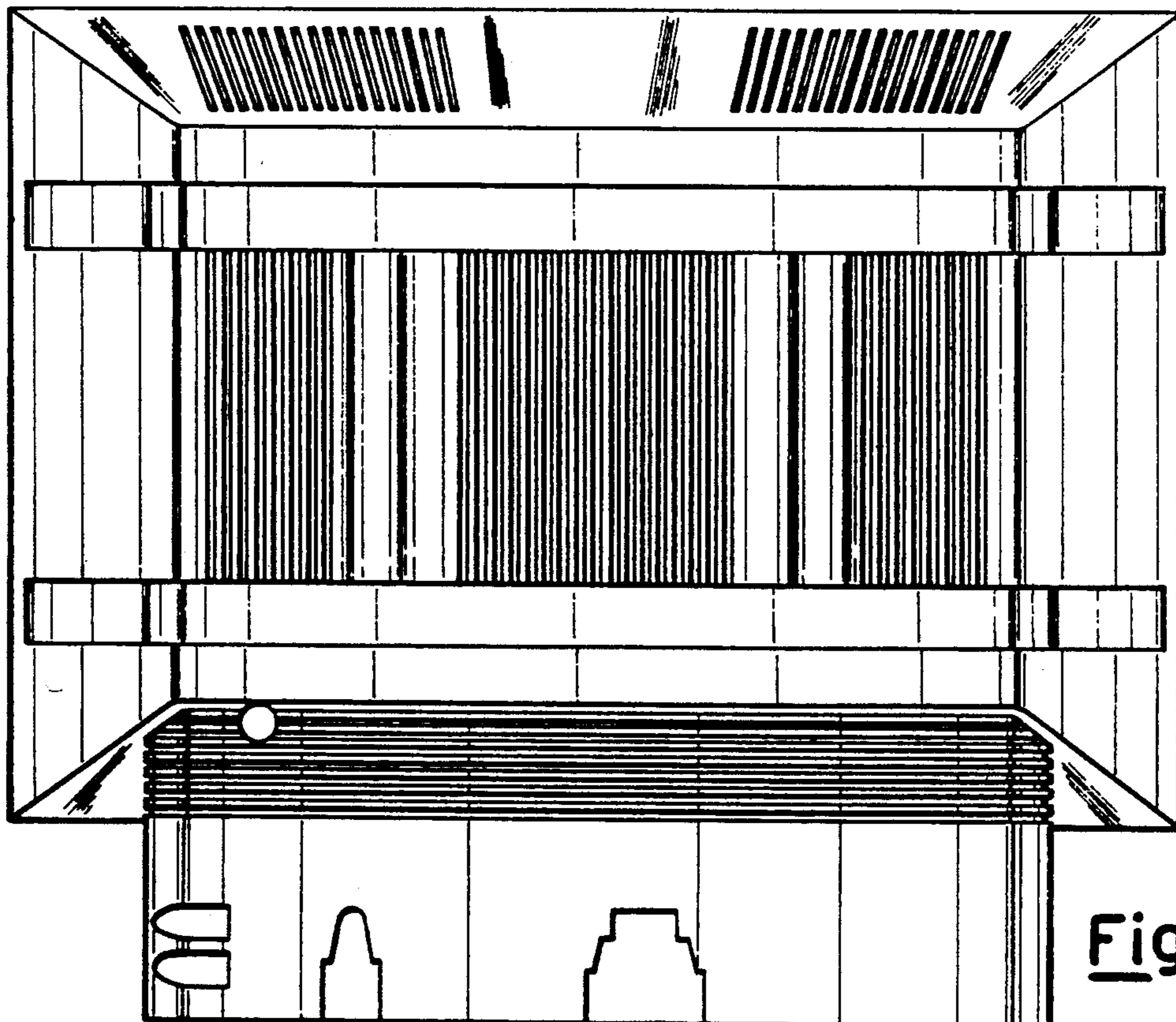


Fig. 3

Fig.4

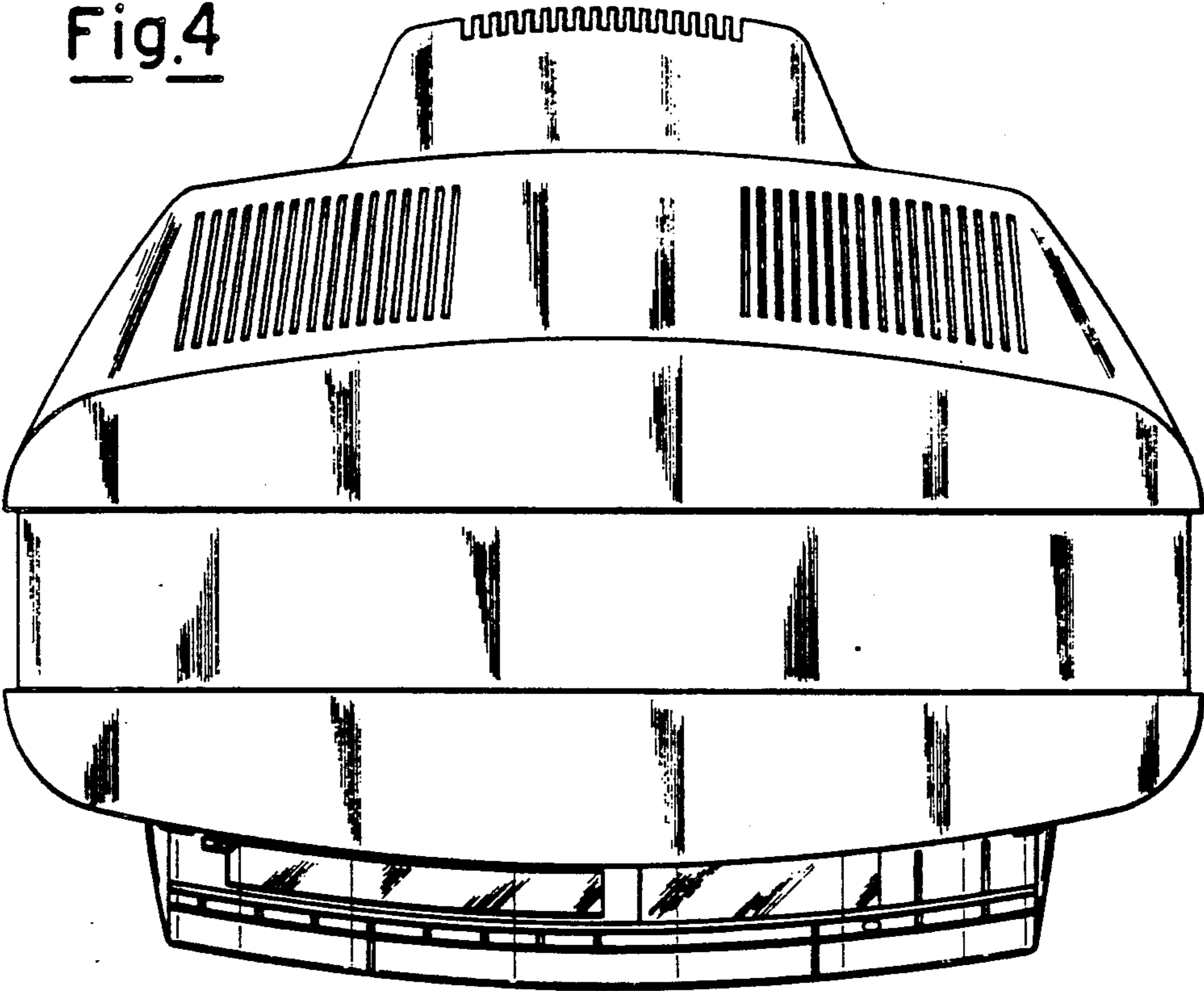
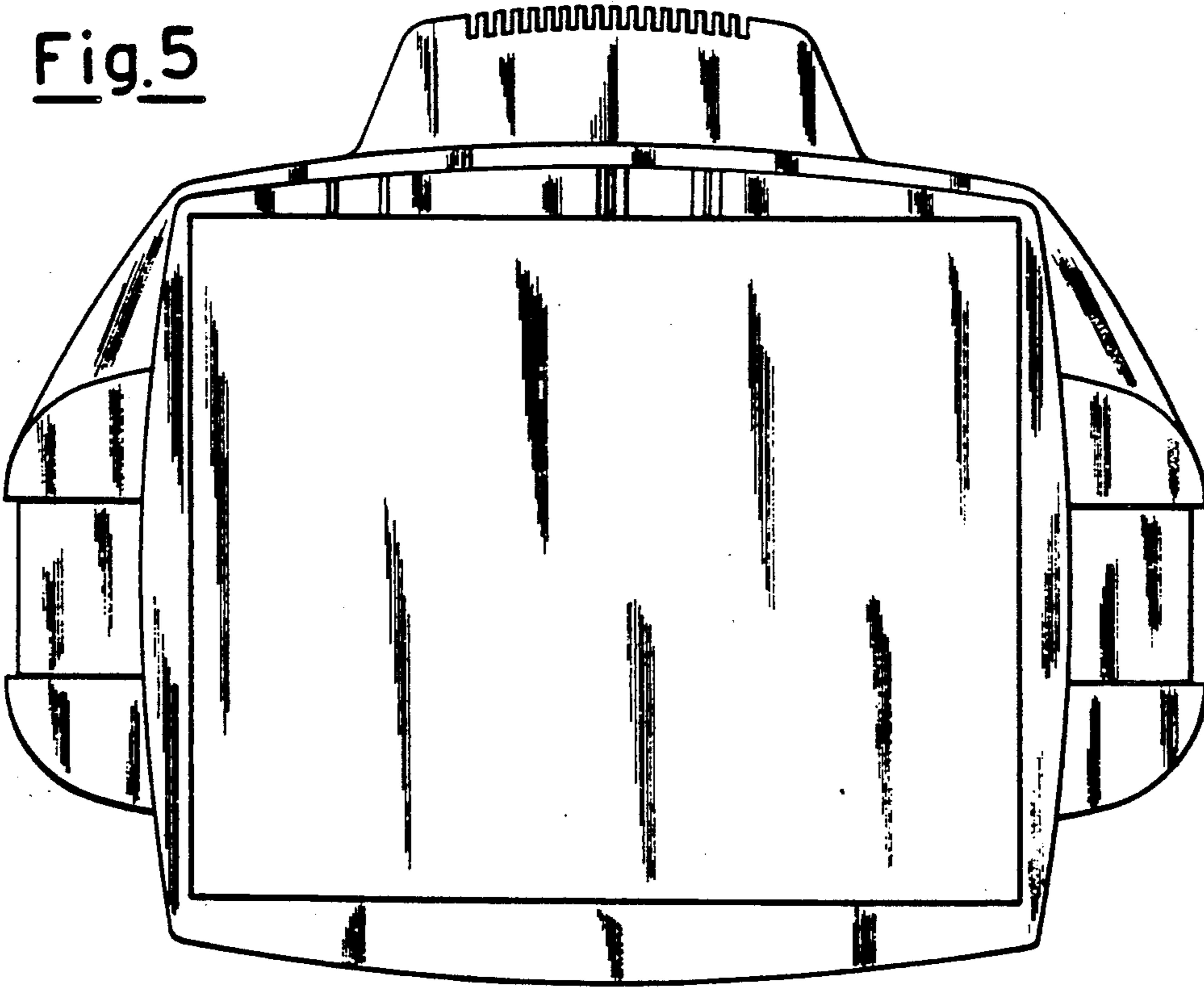


Fig.5



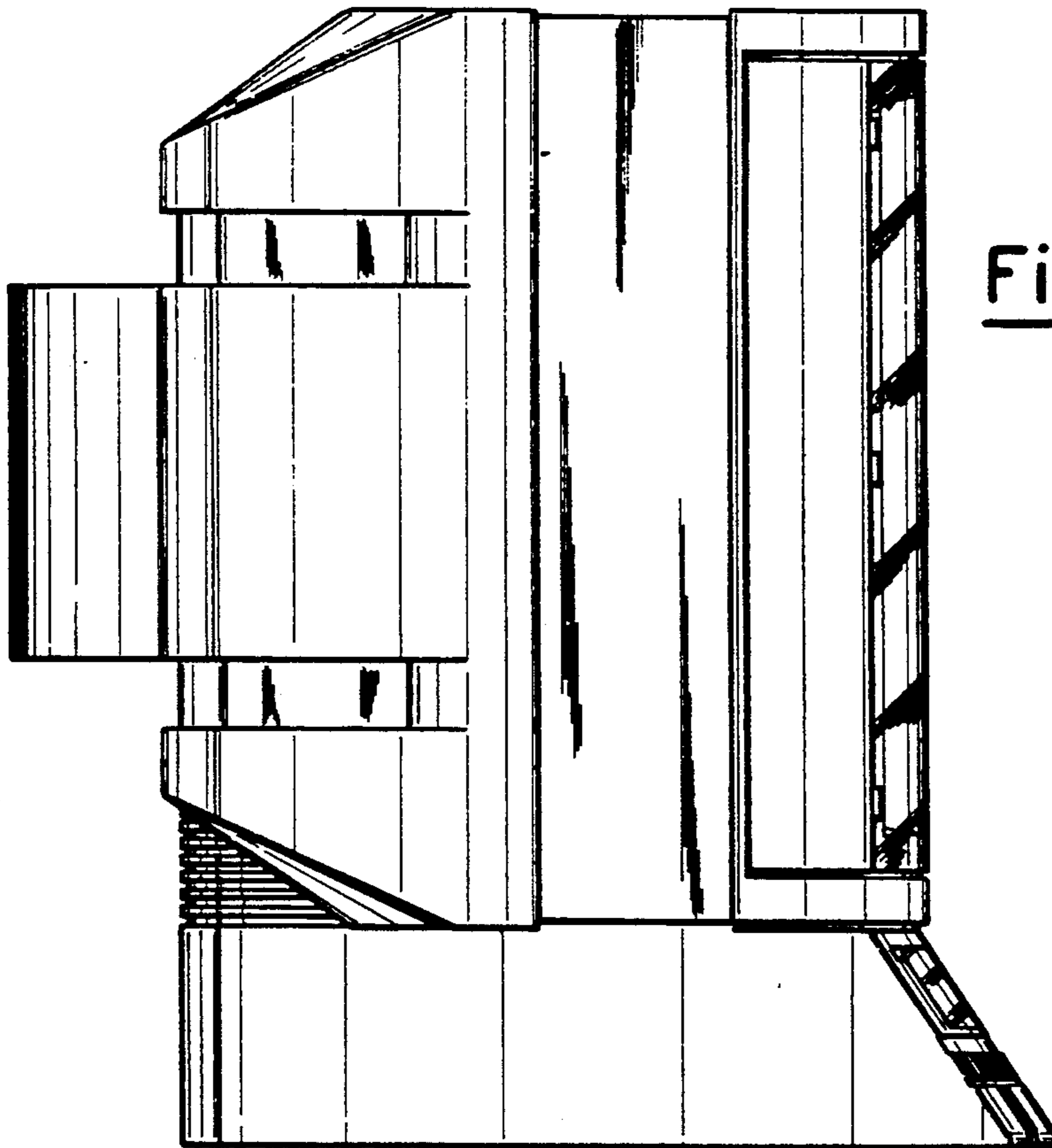


Fig.6

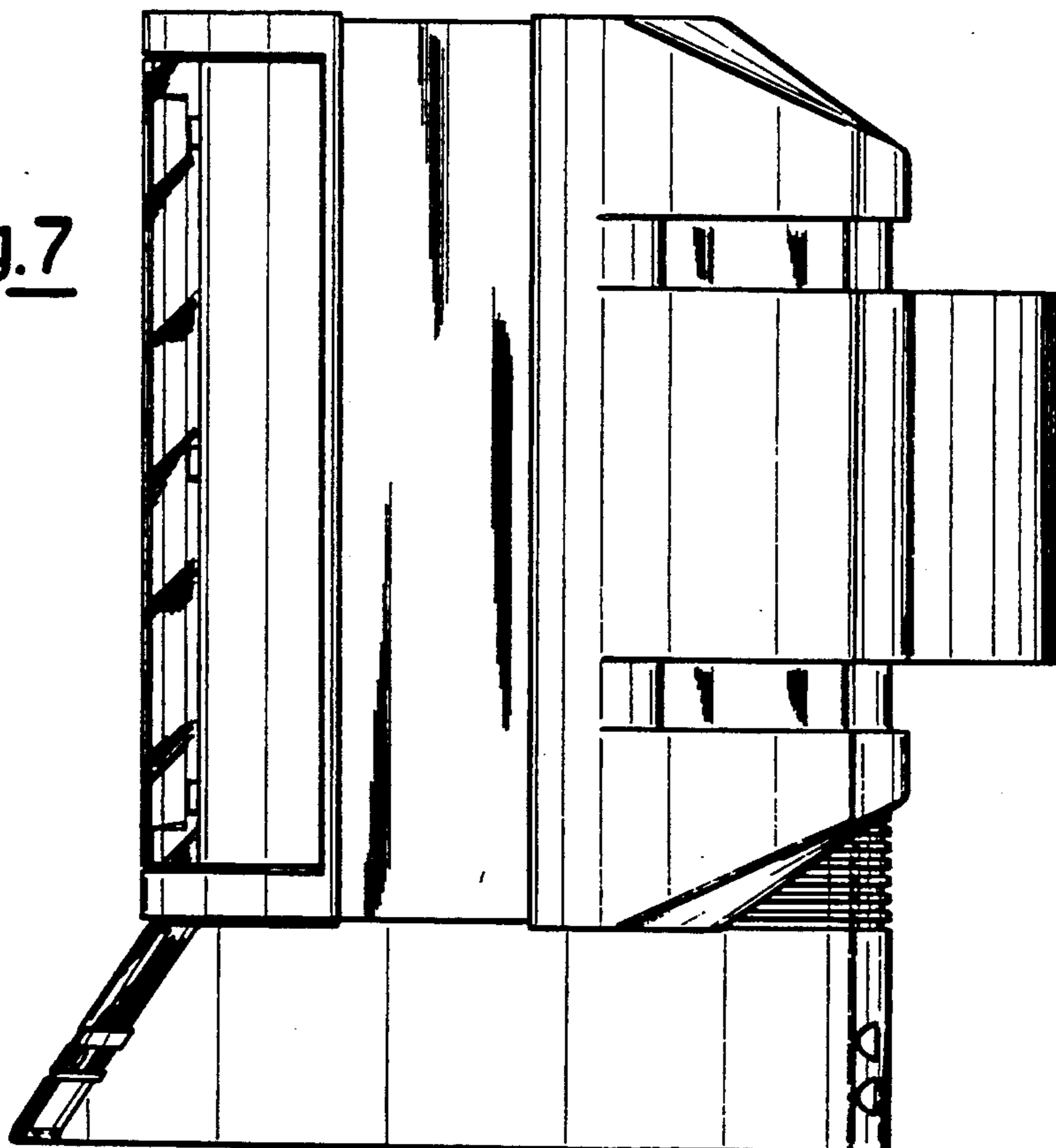


Fig.7