



US00D324516S

United States Patent [19]

Suzuki

[11] Patent Number: Des. 324,516

[45] Date of Patent: ** Mar. 10, 1992

[54] MICRO-ENDLESS TAPE CARTRIDGE

[75] Inventor: Toshitsugu Suzuki, Ohmiya, Japan

[73] Assignee: Asahi Corporation, Tokyo, Japan

[**] Term: 14 Years

[21] Appl. No.: 309,548

[22] Filed: Feb. 13, 1989

[30] Foreign Application Priority Data

Nov. 15, 1988 [JP]	Japan	63-44618
[52] U.S. Cl.		D14/121
[58] Field of Search	D14/114, 120-122, D14/299; D18/12, 22; 242/55.19 A,	197-199; D9/315

[56] References Cited

U.S. PATENT DOCUMENTS

D. 188,725 8/1960 Wren D14/121

D. 205,807	9/1966	Yamamura	D14/121
D. 228,772	10/1973	Hicks	D09/315 X
4,524,925	6/1985	Haddock	242/197

Primary Examiner—Theodore M. Shooman
Attorney, Agent, or Firm—Rodman & Rodman

[57] CLAIM

The ornamental design for a micro-endless tape cassette, as shown and described.

DESCRIPTION

FIG. 1 is a top plan view of a micro-endless tape cartridge showing my new design;
 FIG. 2 is a left side elevational view thereof, rotated 90 degrees from FIG. 1;
 FIG. 3 is a right side elevational view thereof, rotated 90 degrees from FIG. 1;
 FIG. 4 is a rear elevational view thereof, rotated 180 degrees from FIG. 1;
 FIG. 5 is a front elevational view thereof; and
 FIG. 6 is a bottom plan view thereof.

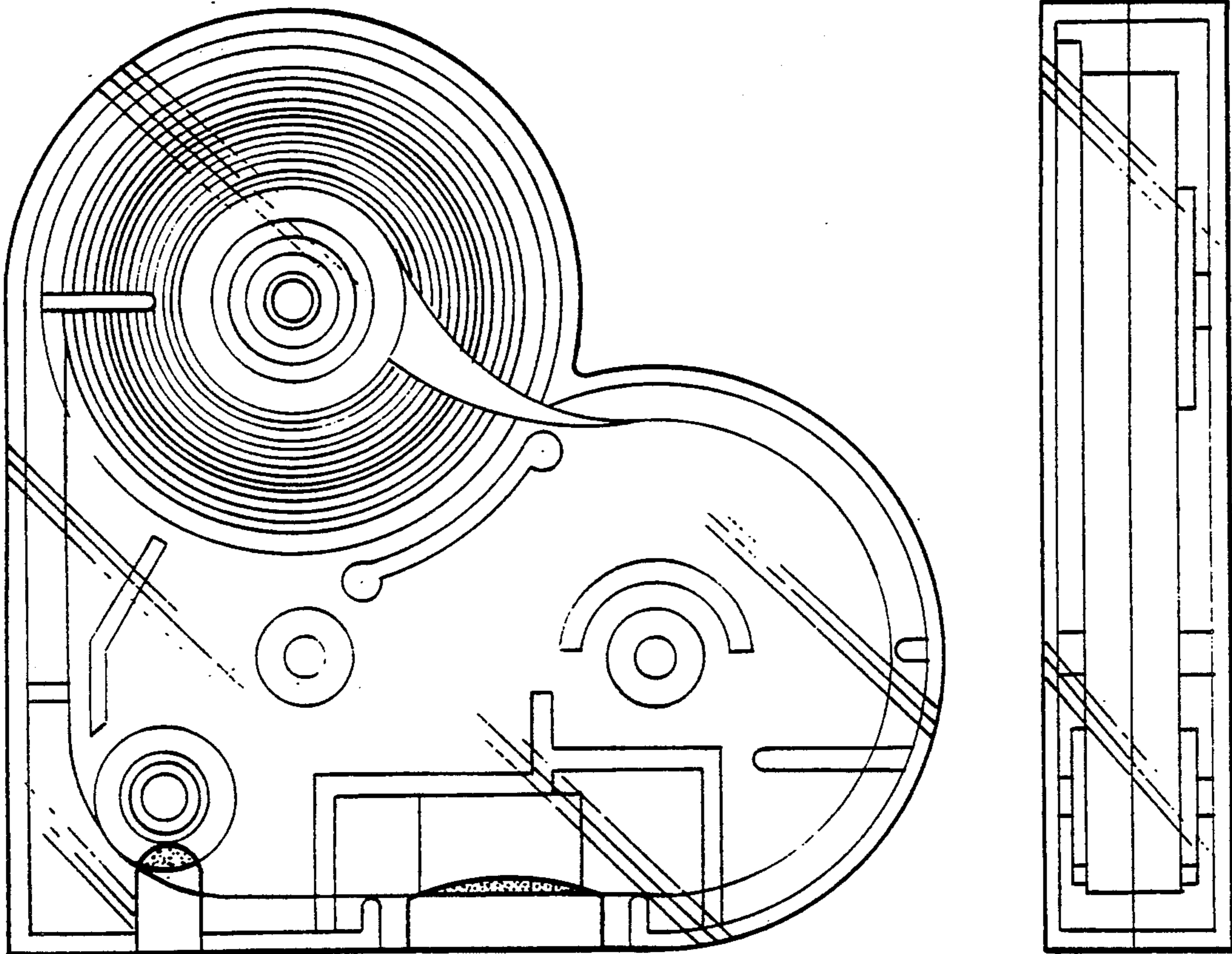


Fig. 3.

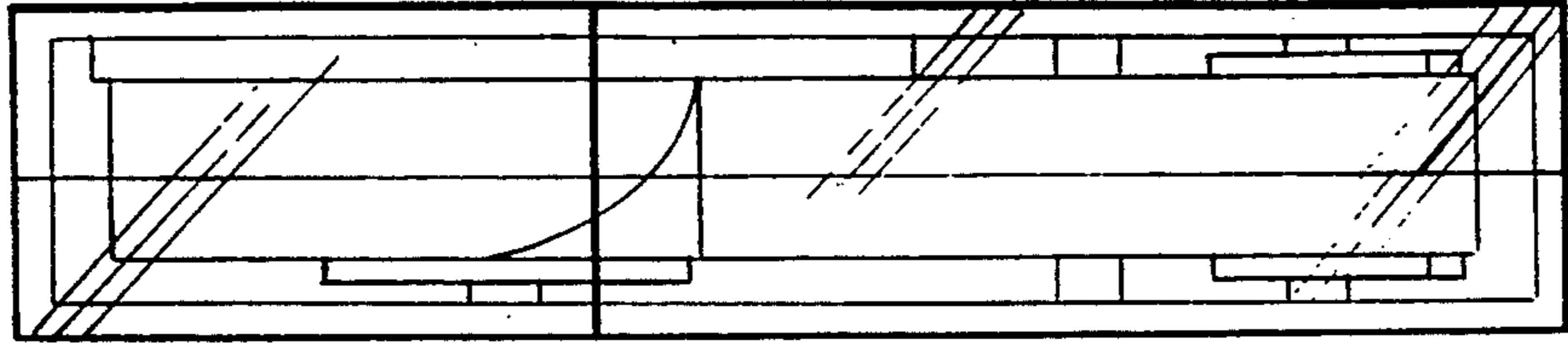


Fig. 1.

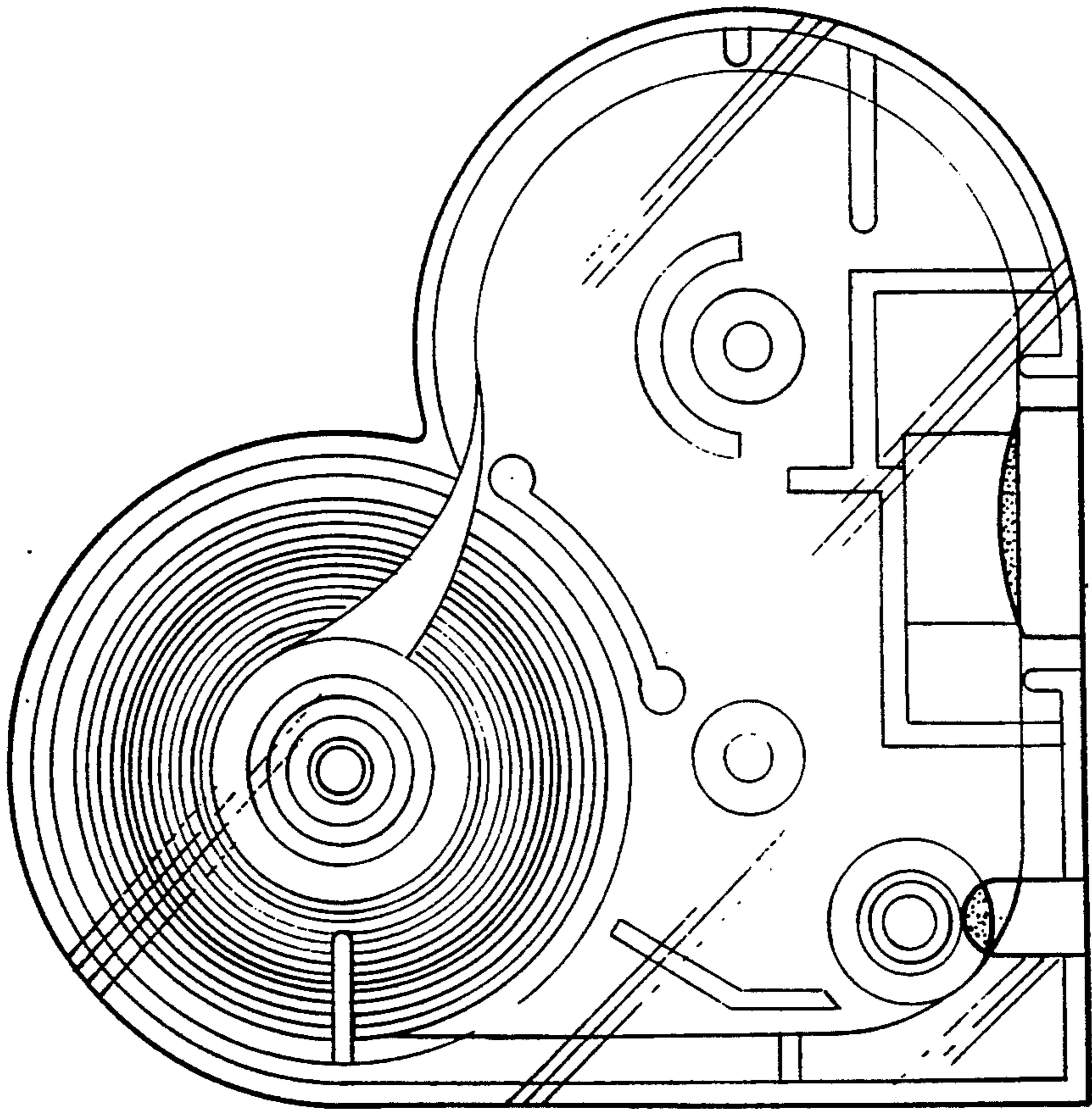


Fig. 2.

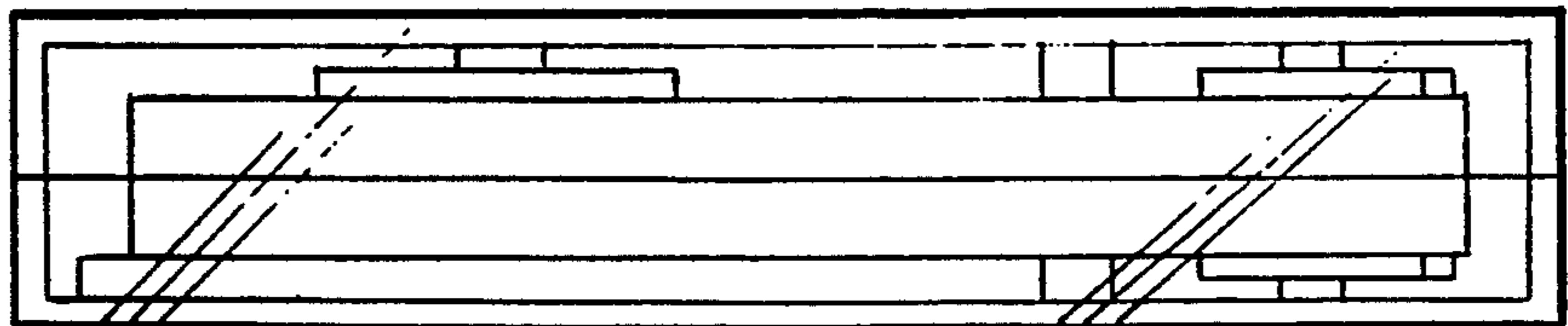


Fig. 4.

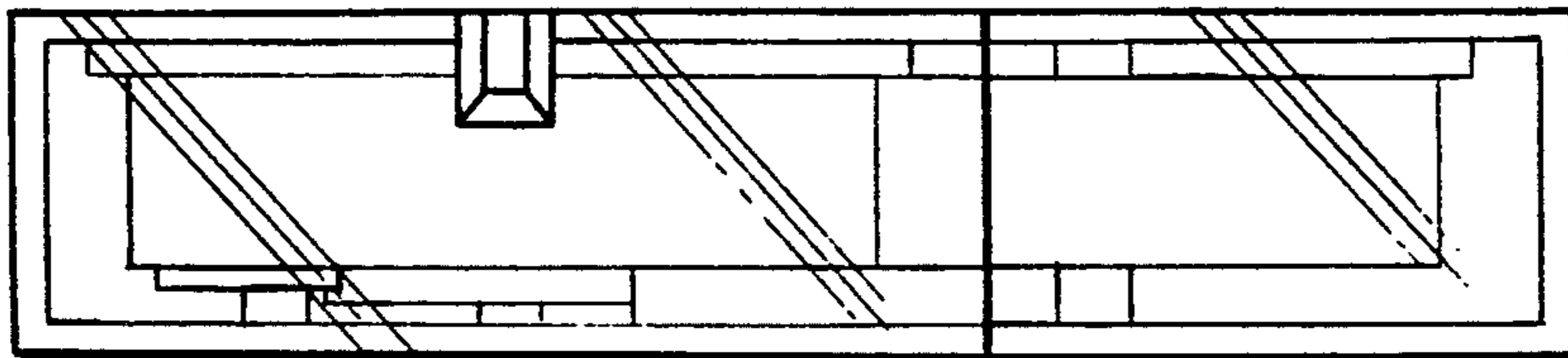


Fig. 5.

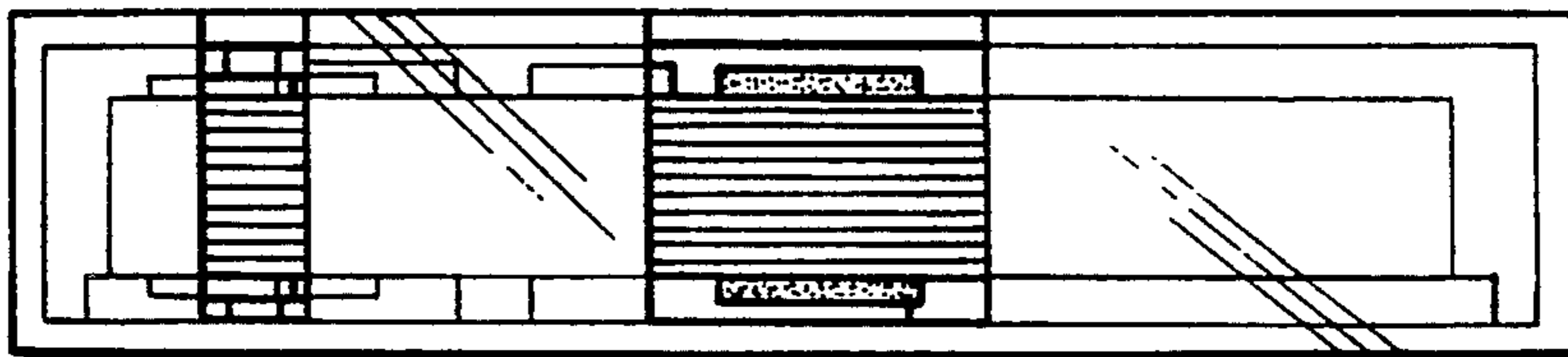


Fig. 6.

