



US00D324510S

# United States Patent [19]

[11] Patent Number: **Des. 324,510**

Sueyoshi et al.

[45] Date of Patent: **\*\* Mar. 10, 1992**

[54] **ELECTRICAL CONNECTOR HOUSING**

4,797,116	1/1989	Isohata et al. ....	439/595
4,867,699	9/1989	Oda et al. ....	439/350
4,975,082	12/1990	Nagasaka et al. ....	439/598

[75] Inventors: **Tadahiro Sueyoshi; Masanori Tsuji; Yoshihiro Murakami; Takayuki Yamamoto; Masaru Fukuda**, all of Shizuoka; **Hidetaka Okabe**, Toyota; **Yasuhiro Nagasaka**, Toyota; **Yasuo Hirayama**, Toyota, all of Japan

*Primary Examiner*—Susan J. Lucas  
*Assistant Examiner*—J. Sincavage

[73] Assignees: **Yazaki Corporation**, Tokyo; **Toyota Jidosha Kabushiki Kaisha**, Toyota, both of Japan

[57] **CLAIM**

The ornamental design for an electrical connector housing, as shown and described.

[\*\*] Term: **14 Years**

**DESCRIPTION**

[21] Appl. No.: **470,562**

FIG. 1 is a top plan view of an electrical connector housing showing our new design;  
 FIG. 2 is a front elevational view thereof;  
 FIG. 3 is a bottom plan view thereof;  
 FIG. 4 is a right side elevational view thereof, the left side elevational view thereof being a mirror image;  
 FIG. 5 is a rear elevational view thereof;  
 FIG. 6 is a cross-sectional view thereof taken along line 6—6 of FIG. 2;  
 FIG. 7 is a cross-sectional view thereof taken along line 7—7 of FIG. 2;  
 FIG. 8 is a cross-sectional view thereof taken along line 8—8 of FIG. 2; and  
 FIG. 9 is a front and upper right perspective view thereof. The broken line showing of the conductors and the corresponding housing is included for the purpose of illustrating environmental elements only and forms no part of the claimed design.

[22] Filed: **Jan. 26, 1990**

[30] **Foreign Application Priority Data**

Jul. 31, 1989 [JP] Japan ..... 1-28073  
 [52] U.S. Cl. .... **D13/133**  
 [58] Field of Search ..... D13/133, 146, 147;  
 439/248, 345, 350, 352, 353, 358, 544, 586, 587,  
 595, 596, 598, 600, 682, 752

[56] **References Cited**

**U.S. PATENT DOCUMENTS**

D. 310,994	10/1990	Yagi et al. ....	D13/146
D. 310,995	10/1990	Yamamoto ....	D13/147
D. 311,518	10/1990	Kuzuno et al. ....	D13/146

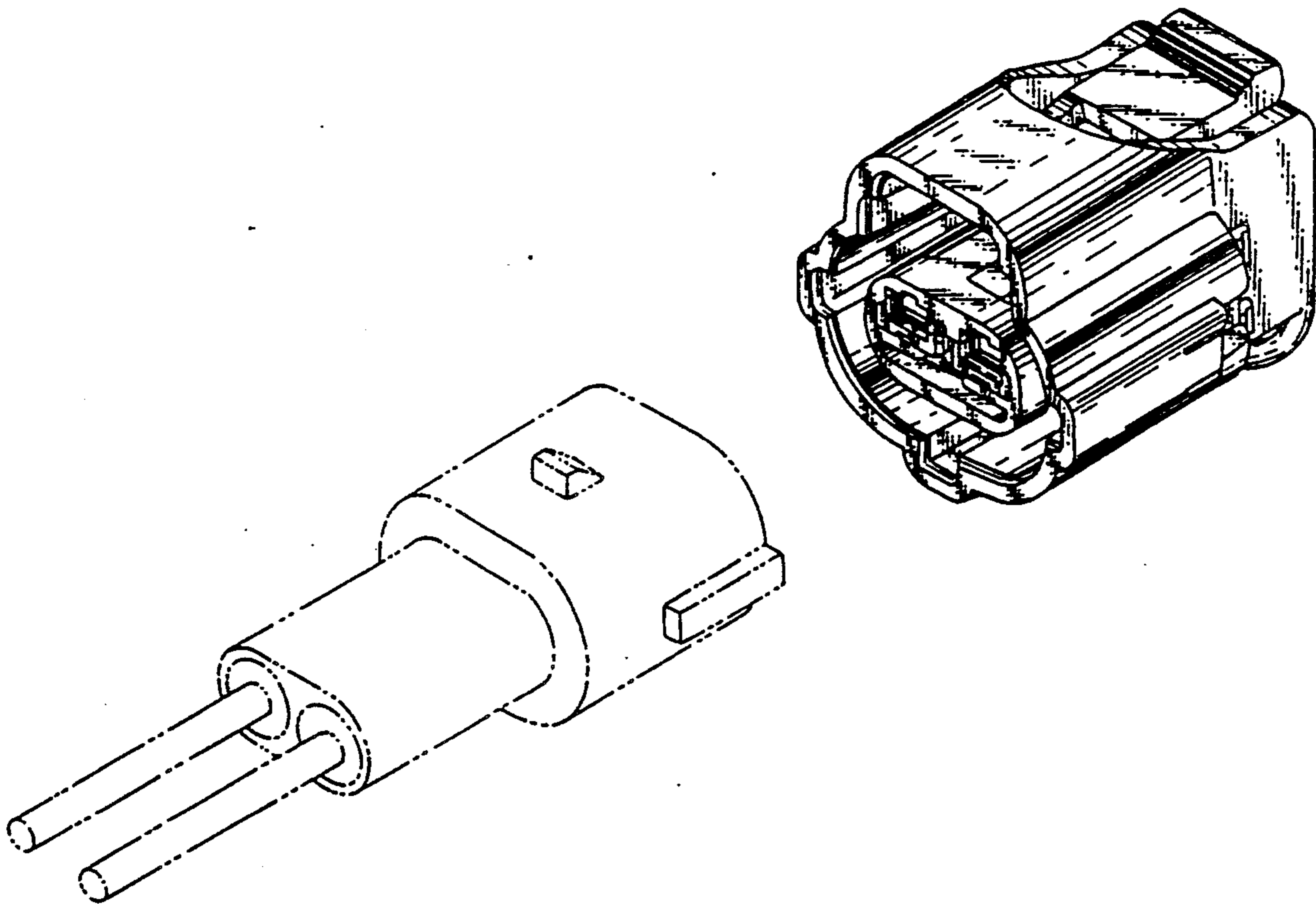


FIG. 1

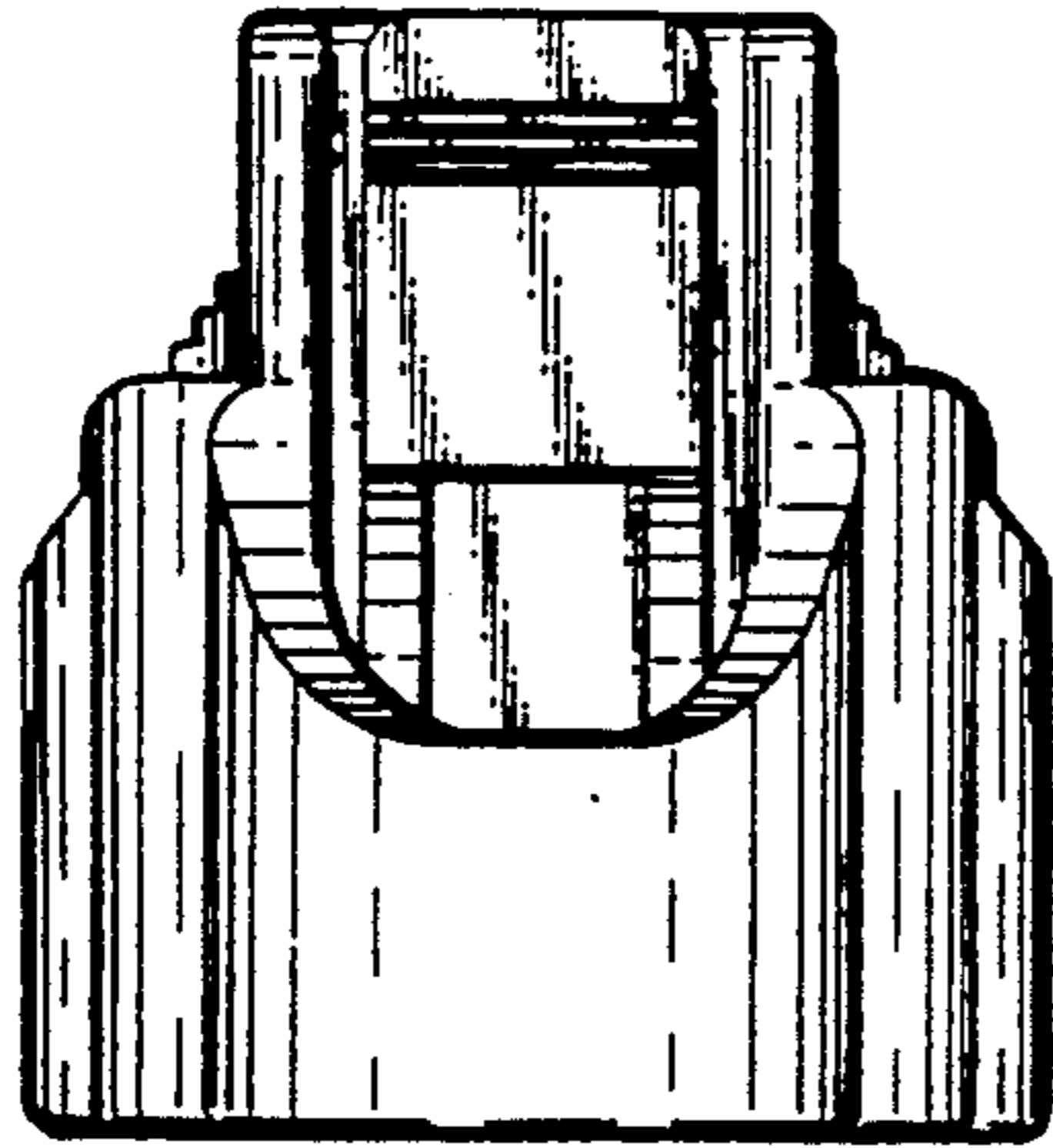


FIG. 3

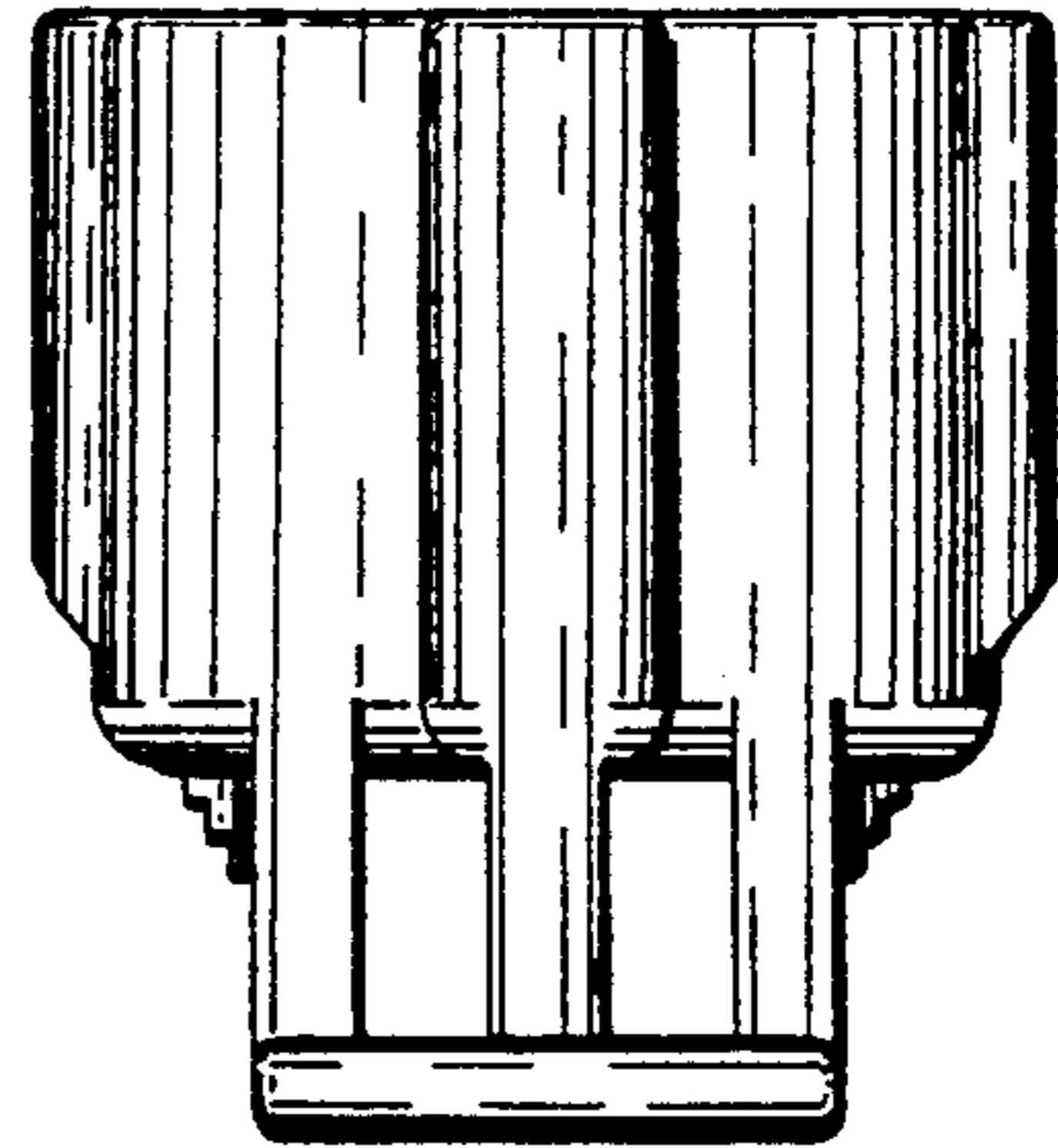


FIG. 4

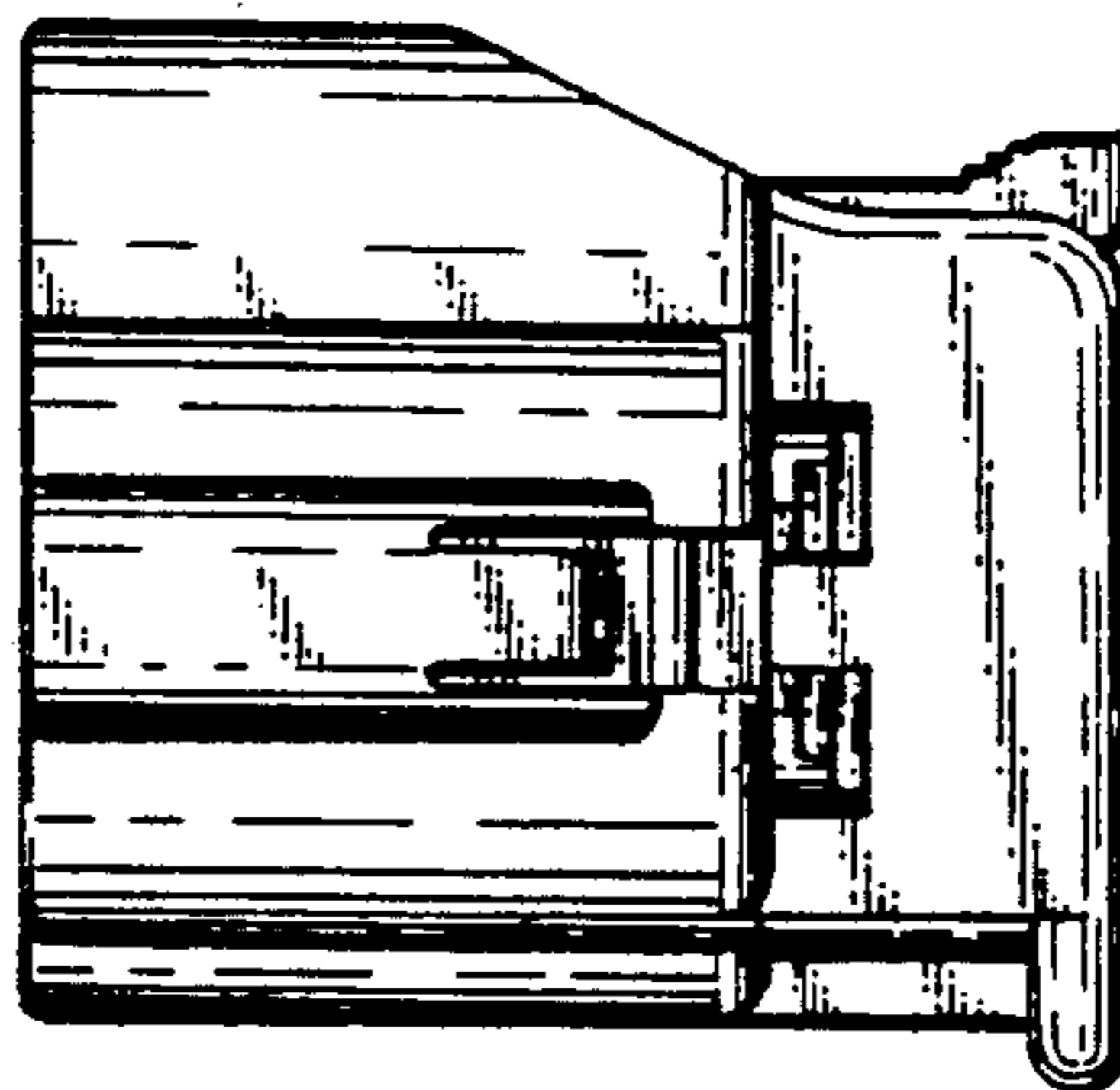


FIG. 2

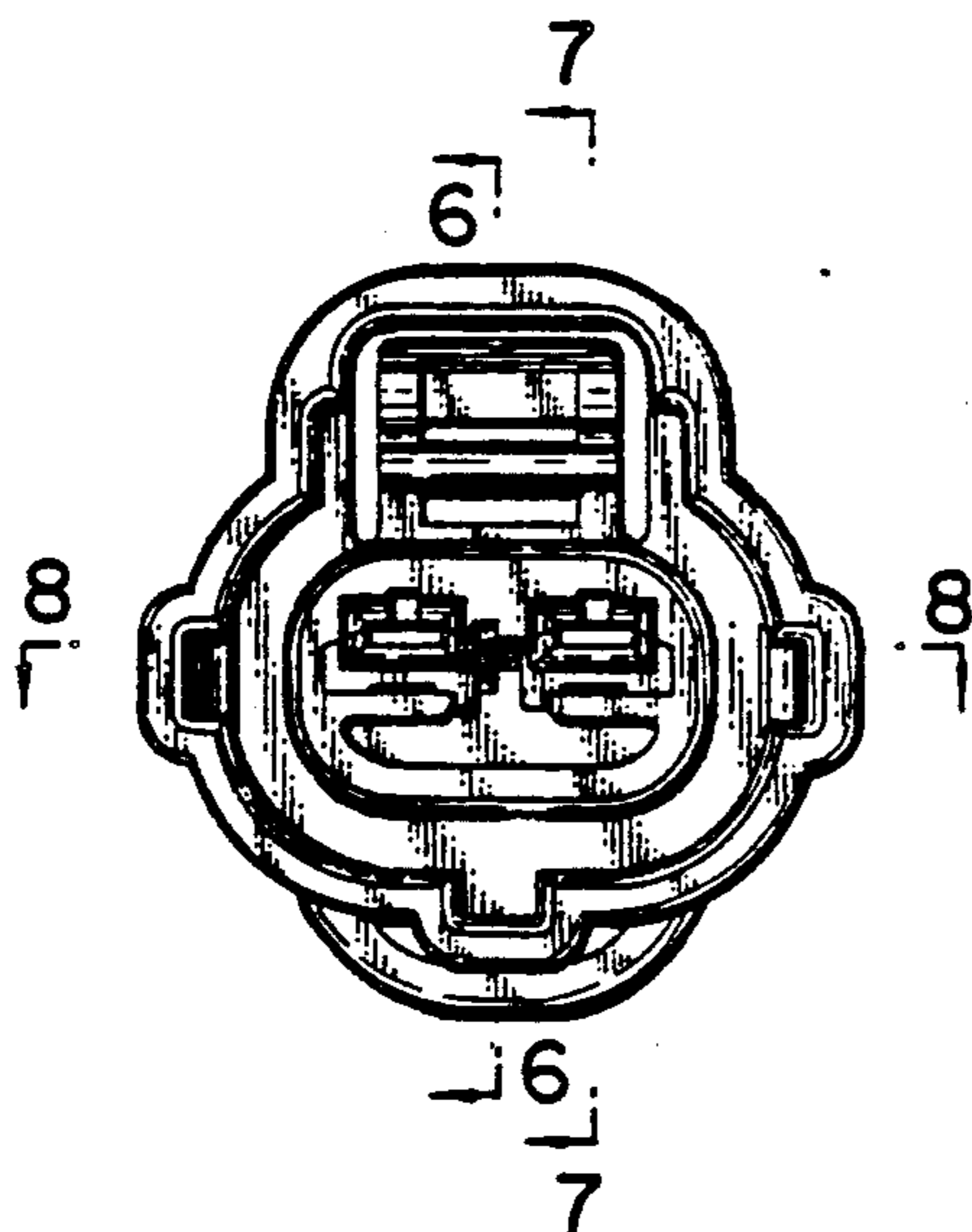


FIG. 5

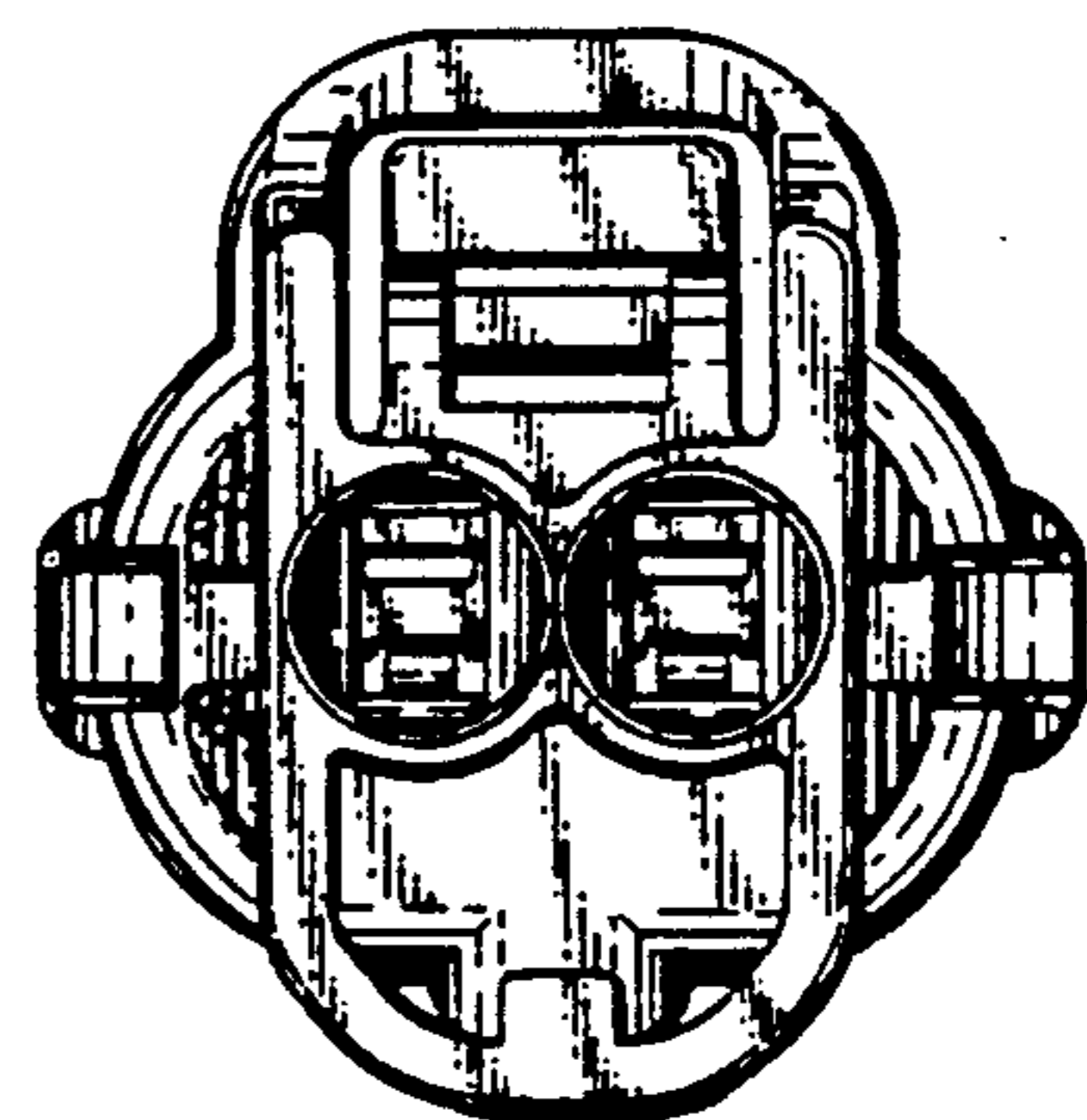


FIG. 6

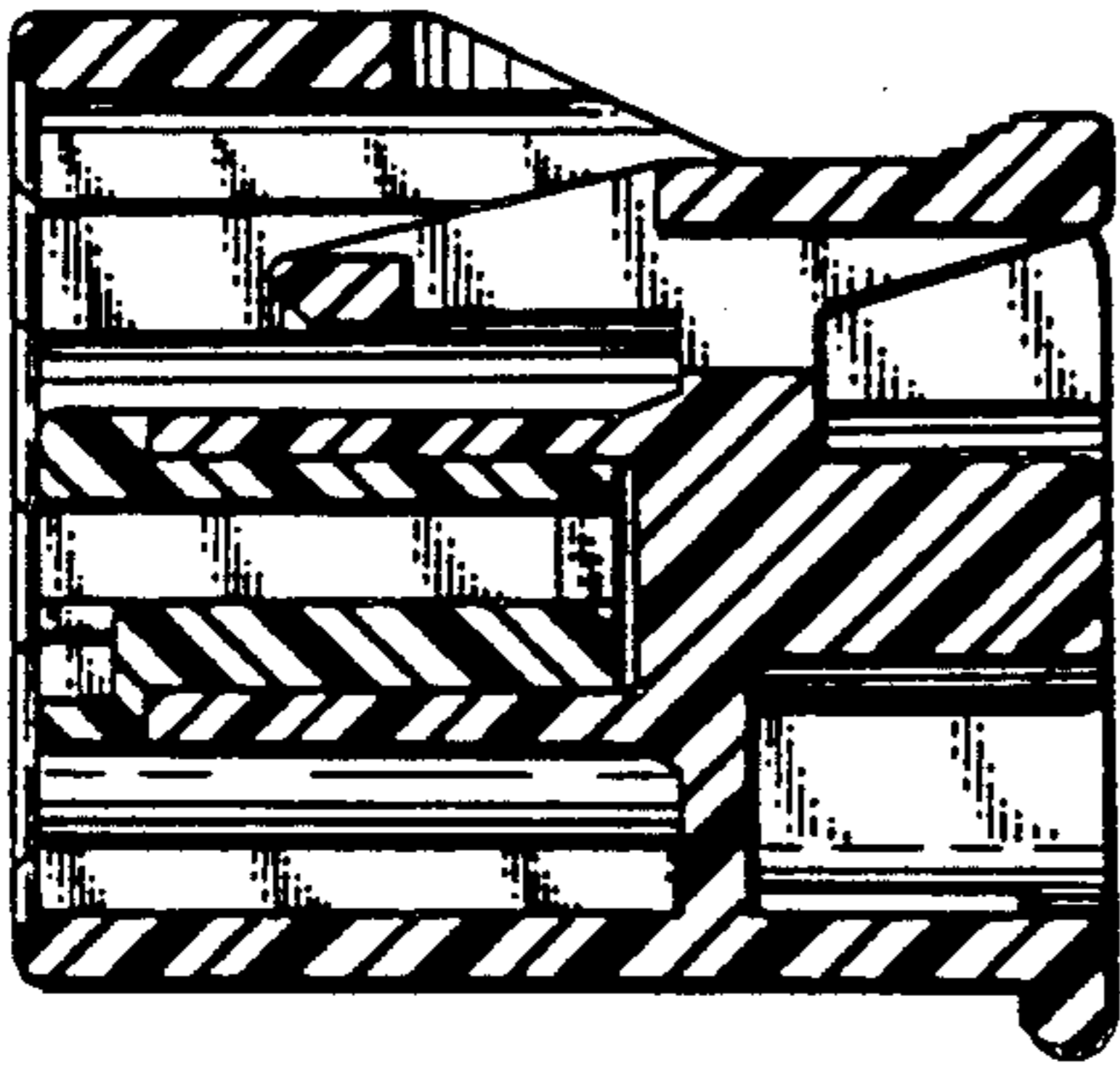


FIG. 7

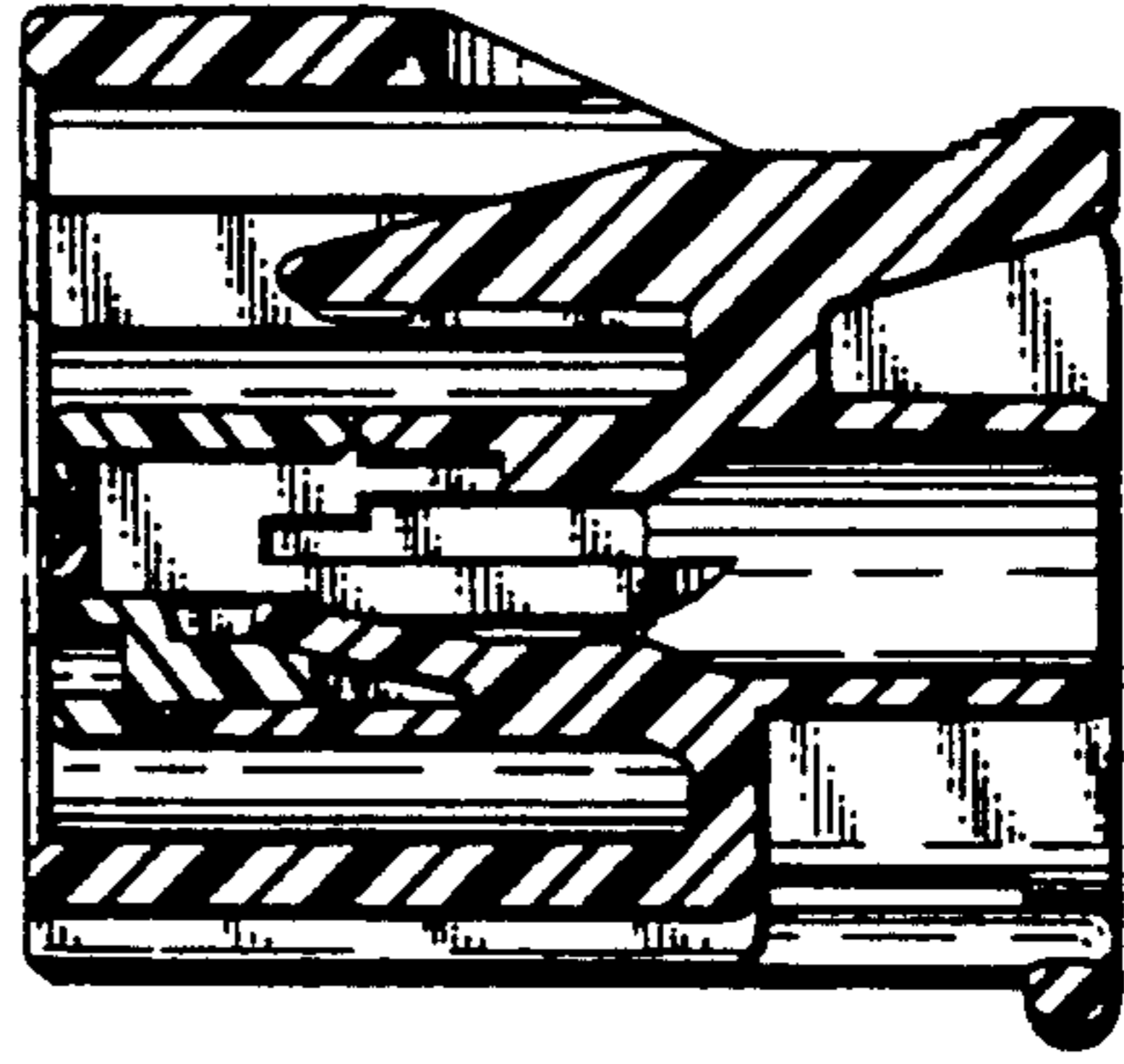
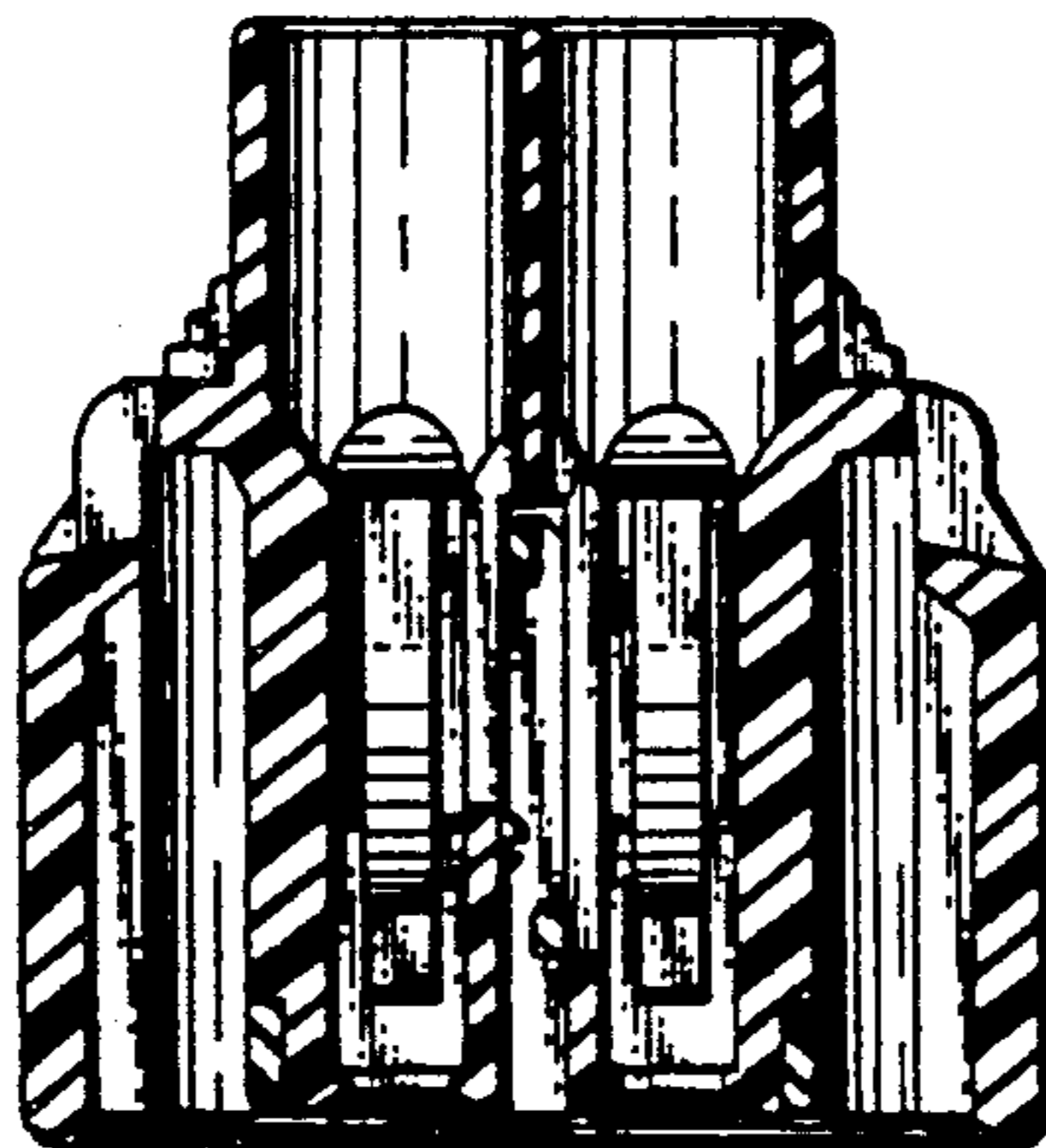


FIG. 8



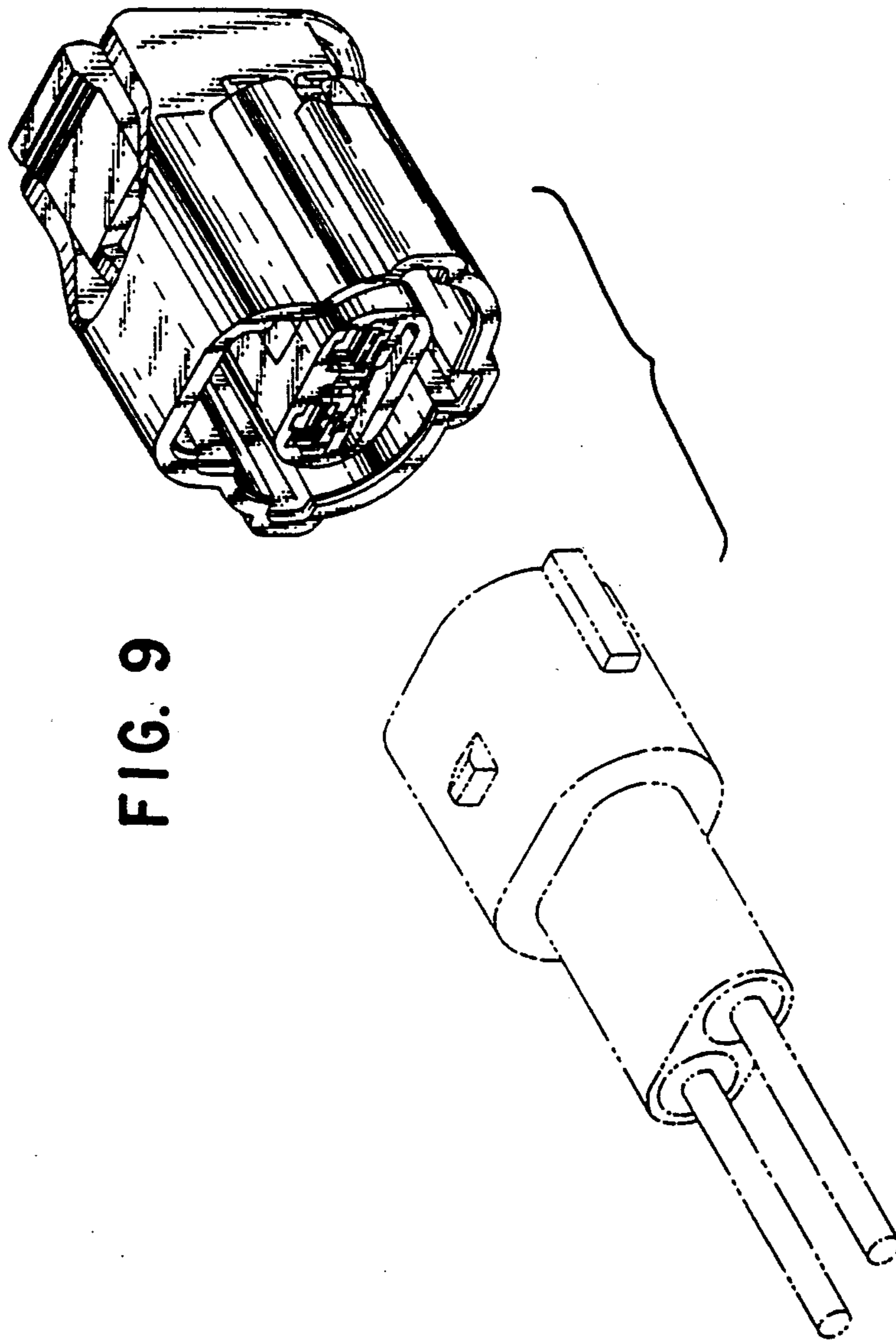


FIG. 9