



US00D324502S

# United States Patent [19]

Winger

[11] Patent Number: Des. 324,502

[45] Date of Patent: \*\* Mar. 10, 1992

[54] TABLETOP NOVELTY

4,027,874 6/1977 Buckholtz ..... D21/240 X

[76] Inventor: Charles R. Winger, 31430 Valley Center Rd., Valley Center, Calif. 92082

[\*\*] Term: 14 Years

[21] Appl. No.: 392,382

[22] Filed: Aug. 11, 1989

[52] U.S. Cl. .... D11/131; D19/96

[58] Field of Search ..... D21/240; D11/131, 157; D25/16, 18, 17, 21; D19/96, 97; D8/382

[56] References Cited

### U.S. PATENT DOCUMENTS

- D. 220,384 4/1971 Nelson ..... D25/21 X
- D. 222,501 10/1971 Simonds ..... D25/21 X
- D. 227,457 6/1973 Sklaroff ..... D25/18
- D. 252,077 6/1979 Hagen ..... D11/157
- D. 279,559 7/1985 Beltrond ..... D11/157

### OTHER PUBLICATIONS

Hassall Nail Catalog; 1941, p. 15, Zinc Nail.

Primary Examiner—Melvin B. Feifer

Assistant Examiner—Dominic Simone

### [57] CLAIM

The ornamental design for a tabletop novelty, as shown and described.

### DESCRIPTION

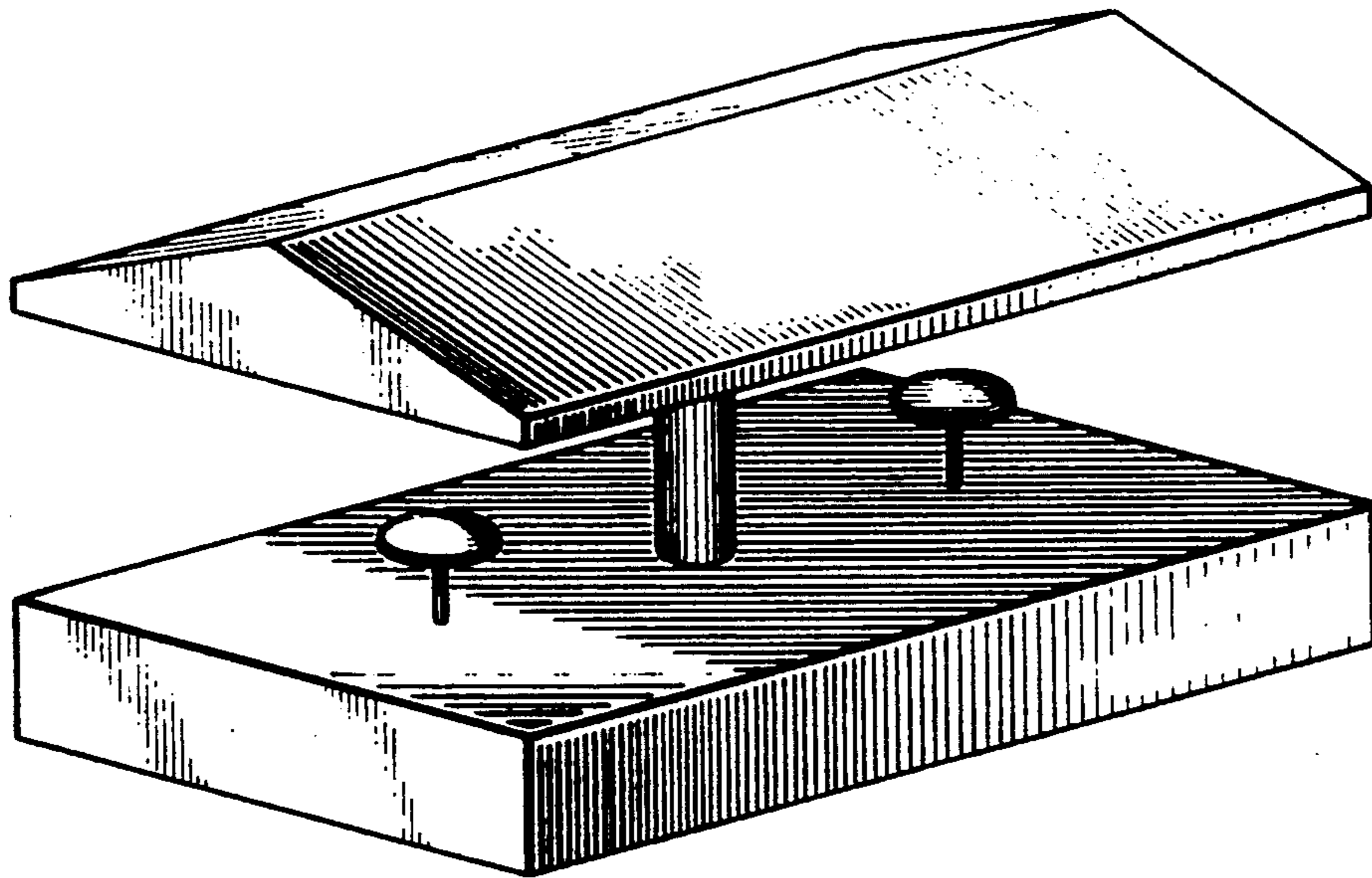
FIG. 1 is a top view of a tabletop novelty showing my new design;

FIG. 2 is a bottom view thereof;

FIG. 3 is a left side view where the right side view is a mirror image thereof;

FIG. 4 is a front view where the rear view is a mirror image thereof; and

FIG. 5 is a perspective view thereof.



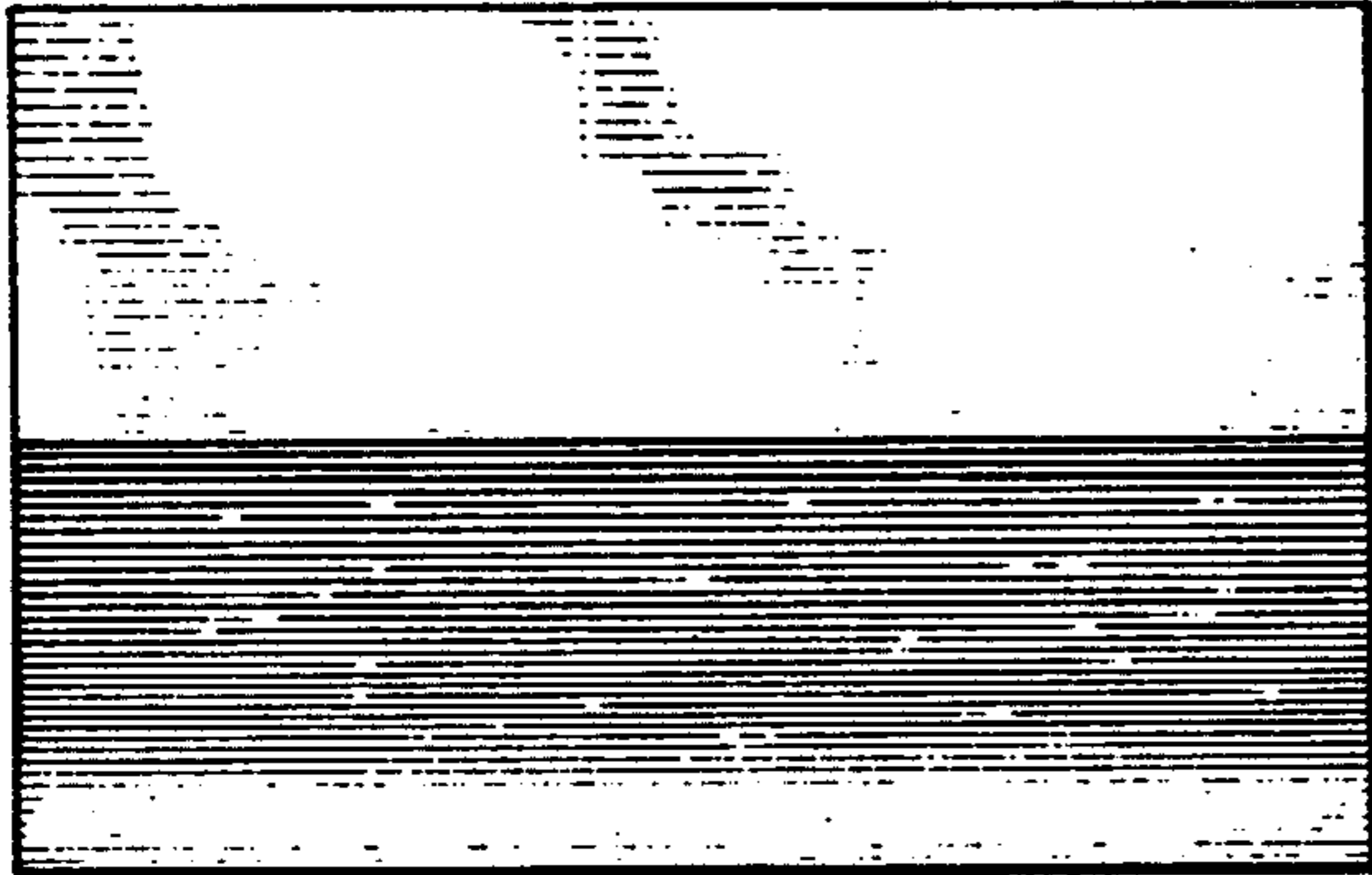


FIG. 1

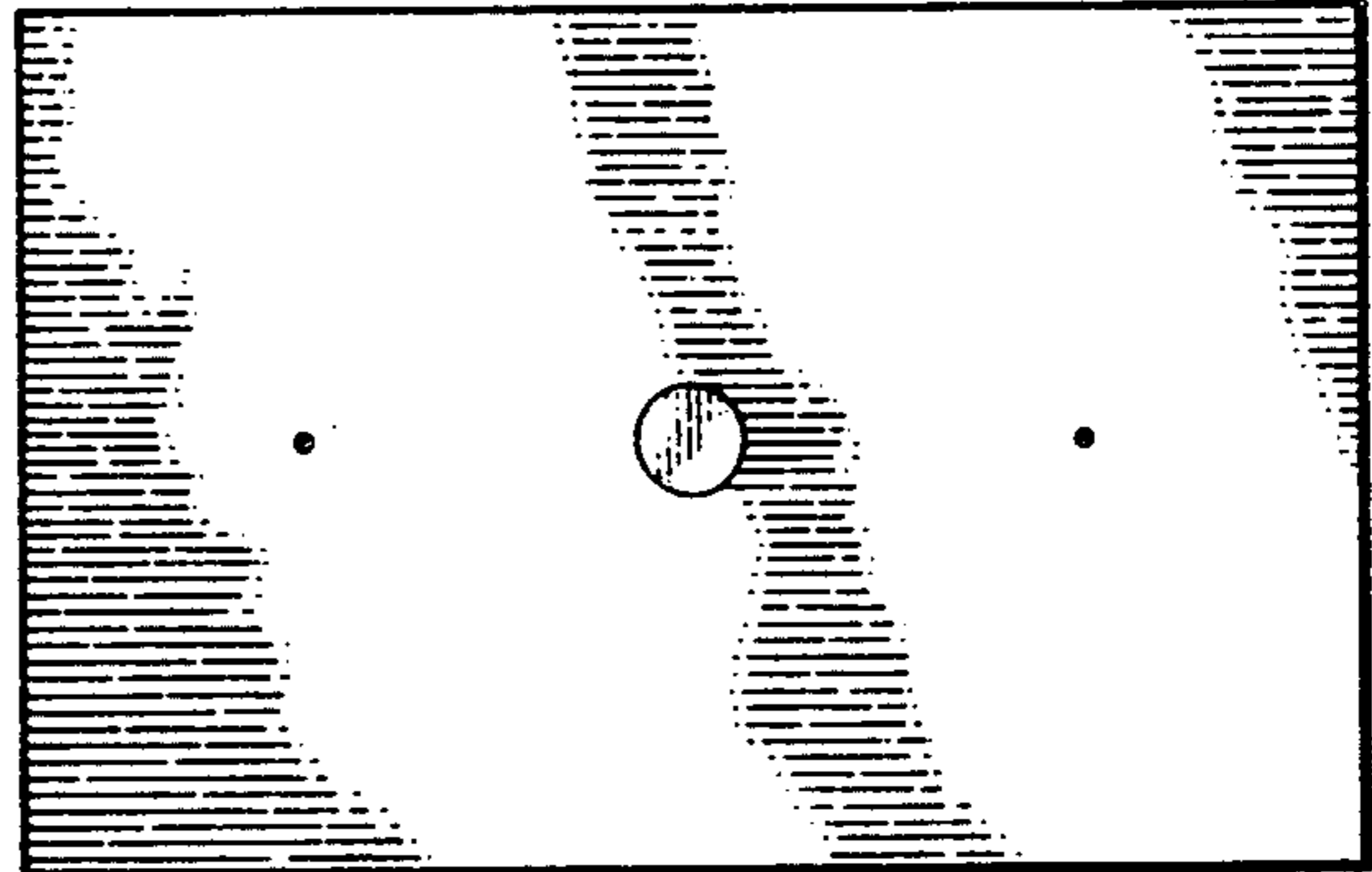


FIG. 2

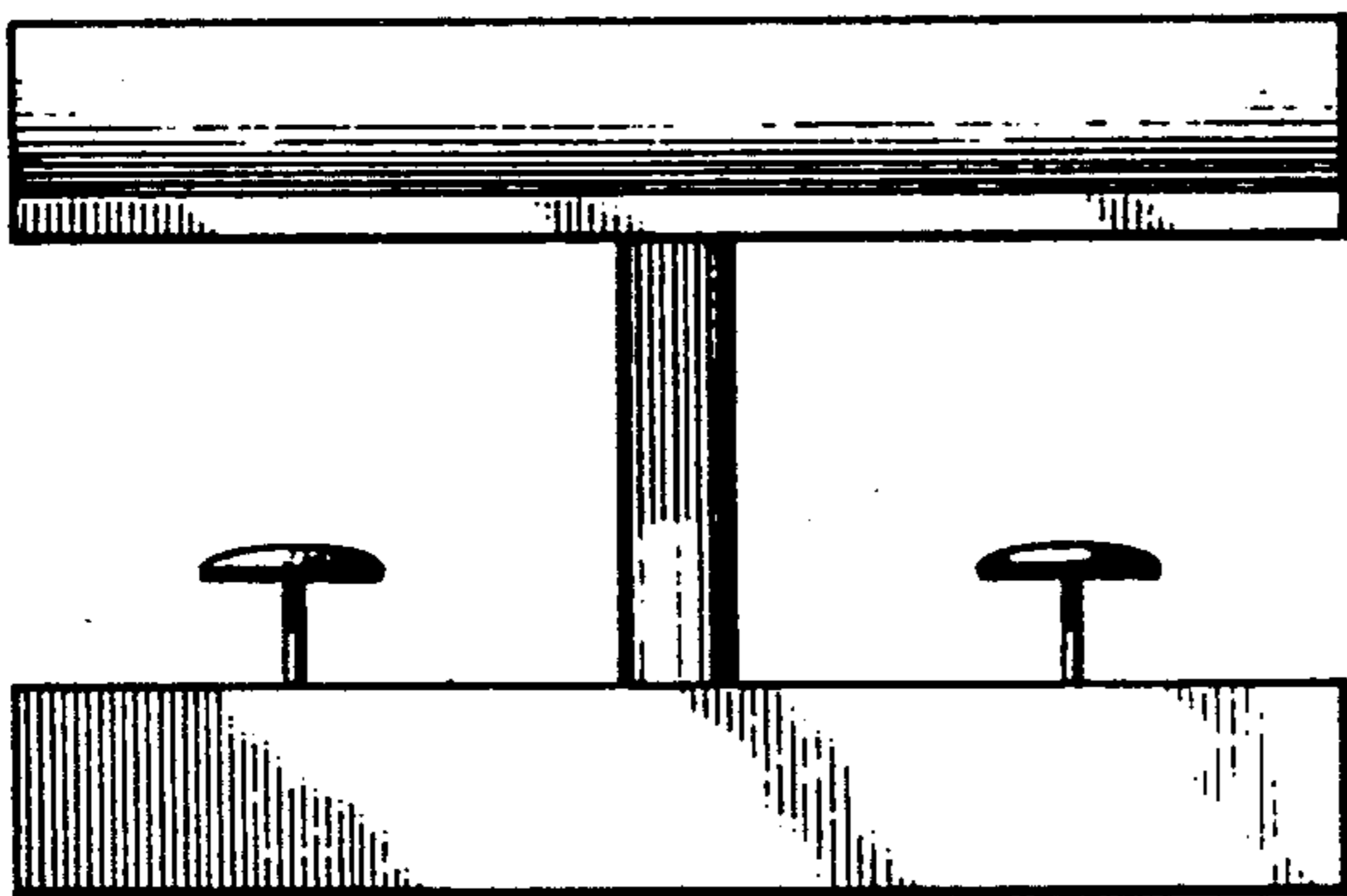


FIG. 3

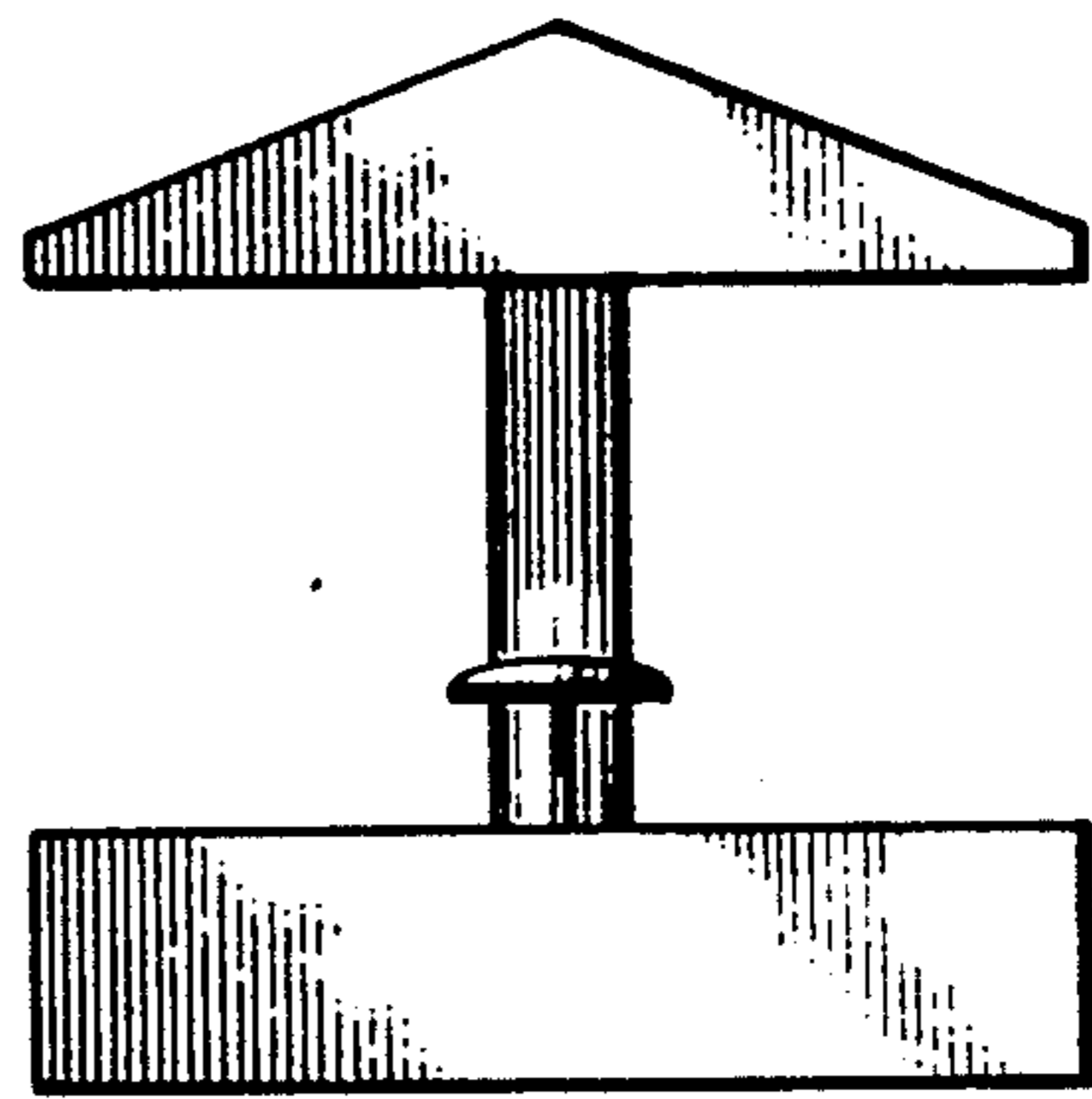


FIG. 4

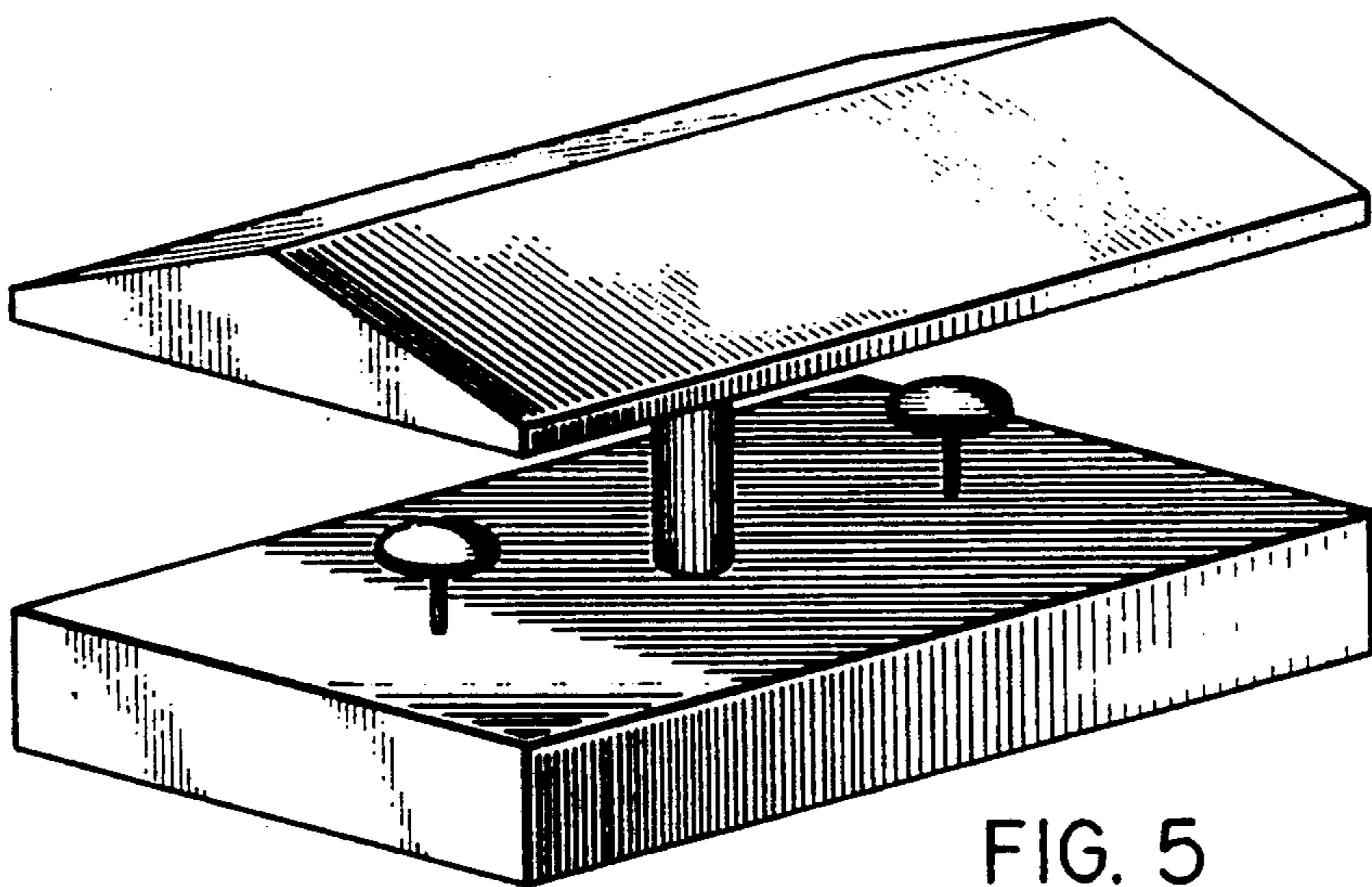


FIG. 5