



US00D324497S

United States Patent [19]

[11] Patent Number: **Des. 324,497**

Denton

[45] Date of Patent: **** Mar. 10, 1992**

[54] PACKAGE FOR TOWELS

3,627,122	12/1971	Garbe, Jr.	220/507
4,181,218	1/1980	Cox	206/812
4,513,862	4/1985	Mallow	206/823 X
4,550,828	11/1985	Baldwin et al.	206/372 X

[76] Inventor: **Thomas A. Denton**, 787 Phelan Rd., #9, Pinon Hills, Calif. 92372

[**] Term: **14 Years**

Primary Examiner—Bernard Ansher
Assistant Examiner—Prabhakar Deshmukh
Attorney, Agent, or Firm—Stetina and Brunda

[21] Appl. No.: **384,452**

[22] Filed: **Jul. 21, 1989**

[57] **CLAIM**

[52] U.S. Cl. **D9/432; D9/416**

The ornamental design for a package for towels, as shown and described.

[58] Field of Search **D9/432, 423, 414, 416; 206/144, 812, 585, 588, 823, 821, 507; 220/475, DIG. 20, 8; D34/40-44**

DESCRIPTION

[56] **References Cited**

FIG. 1 is a top perspective view of a package for towels showing my new design;

U.S. PATENT DOCUMENTS

FIG. 2 is a bottom perspective view thereof; showing undisclosed sides in **FIG. 1**; and

D. 212,995	12/1968	Myers	D34/44
D. 307,719	5/1990	Band	D9/432
D. 309,519	7/1990	Remler	D34/46

FIG. 3 is a perspective view thereof; with cover removed for clarity of illustration.

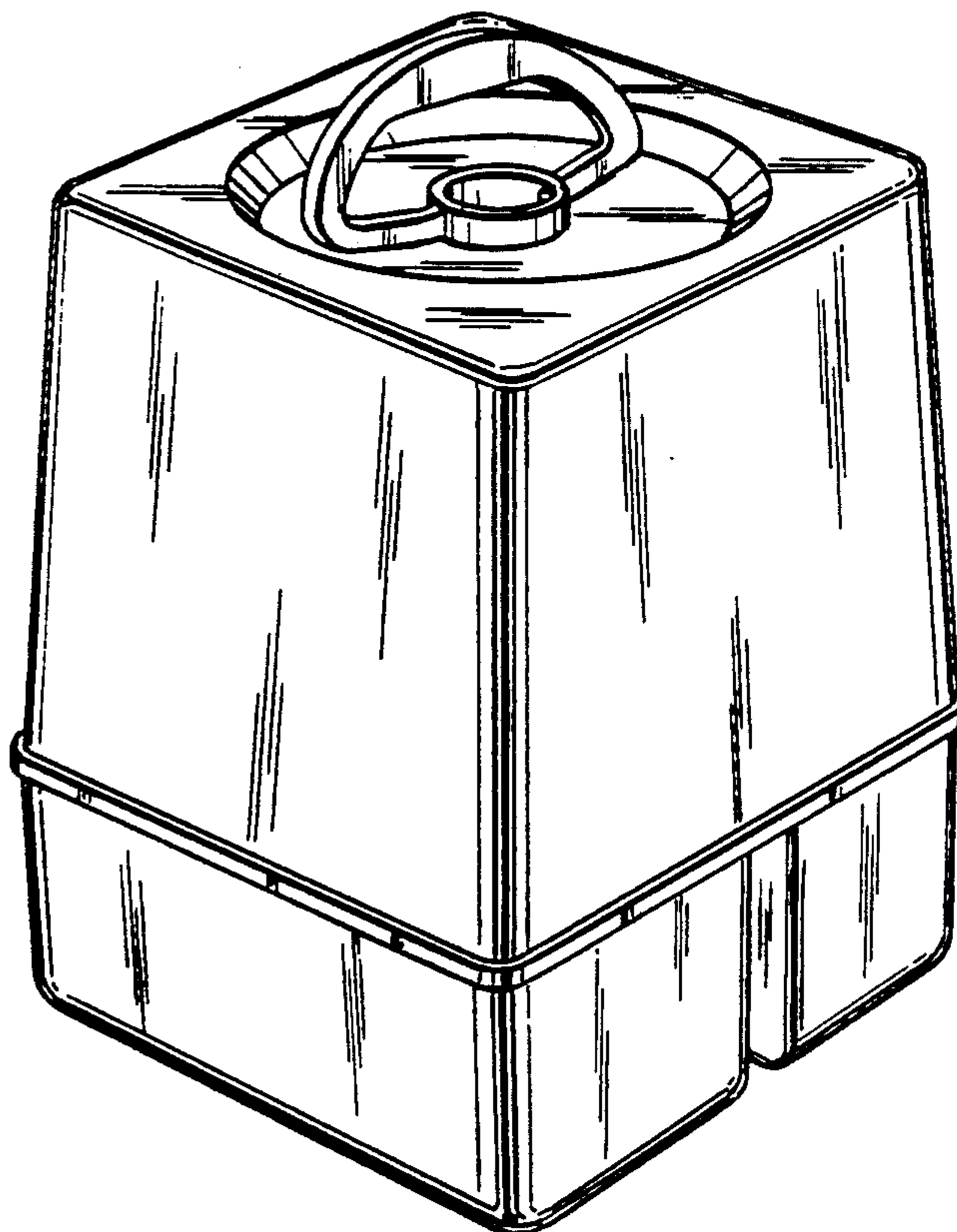


Fig. 1

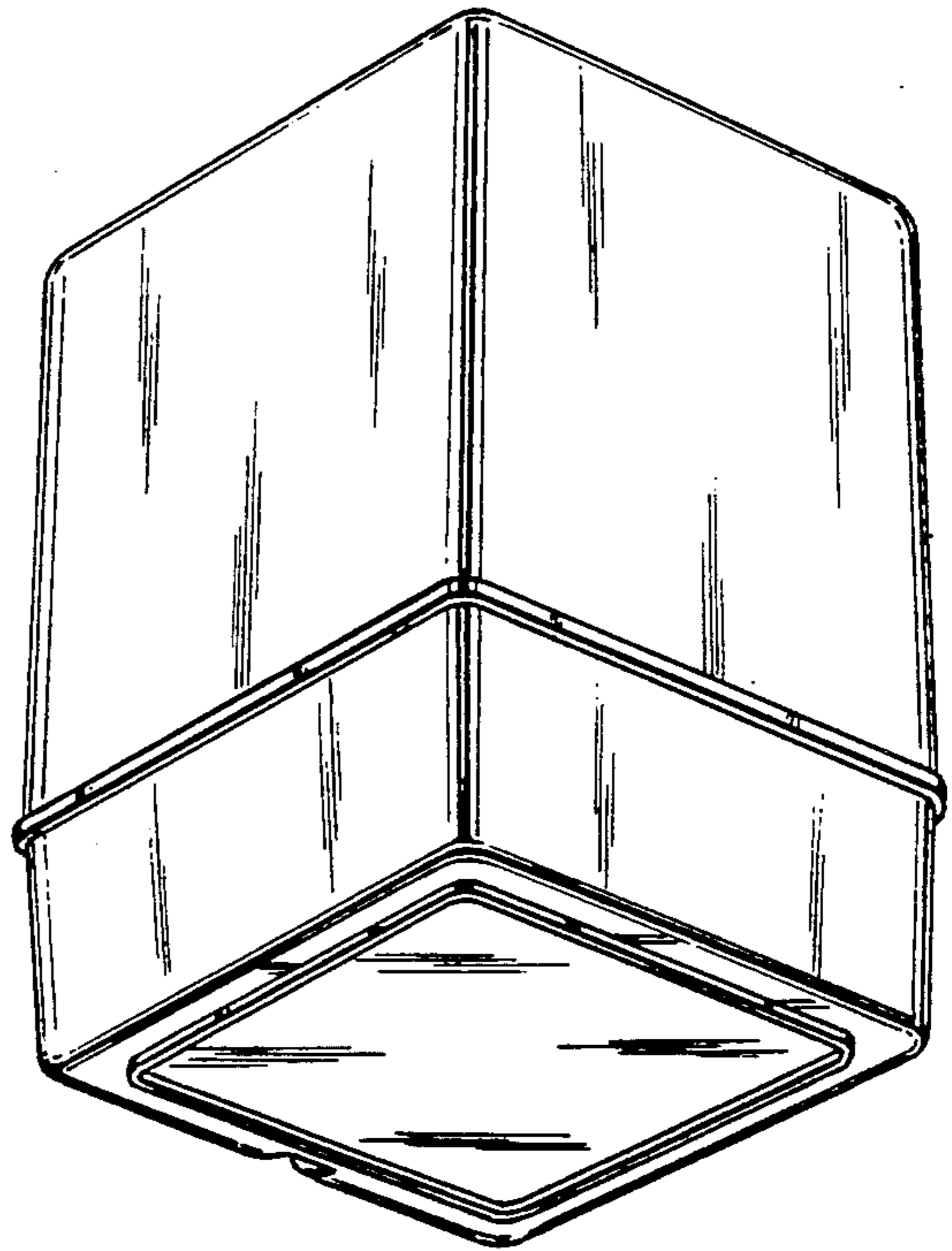
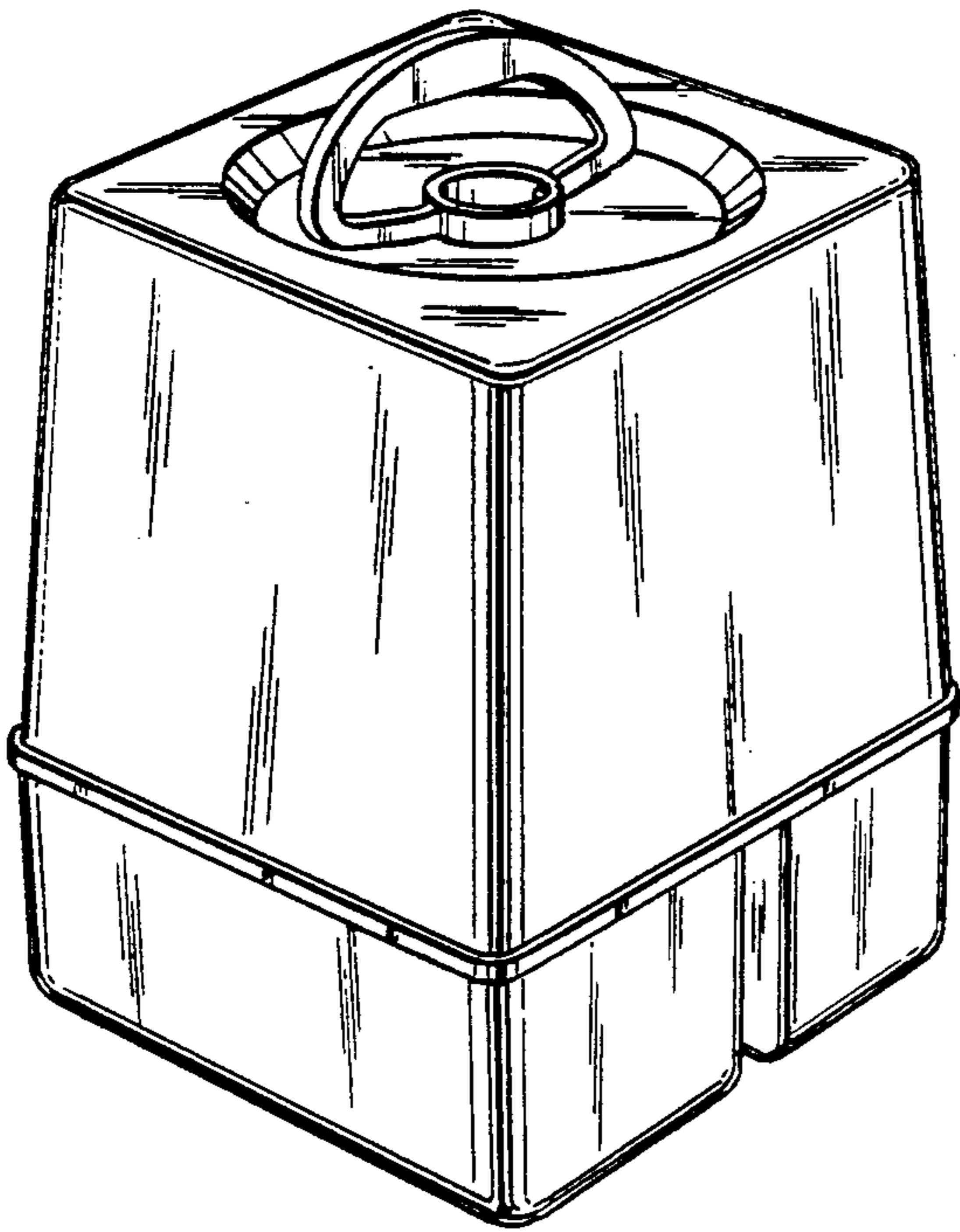


Fig. 2

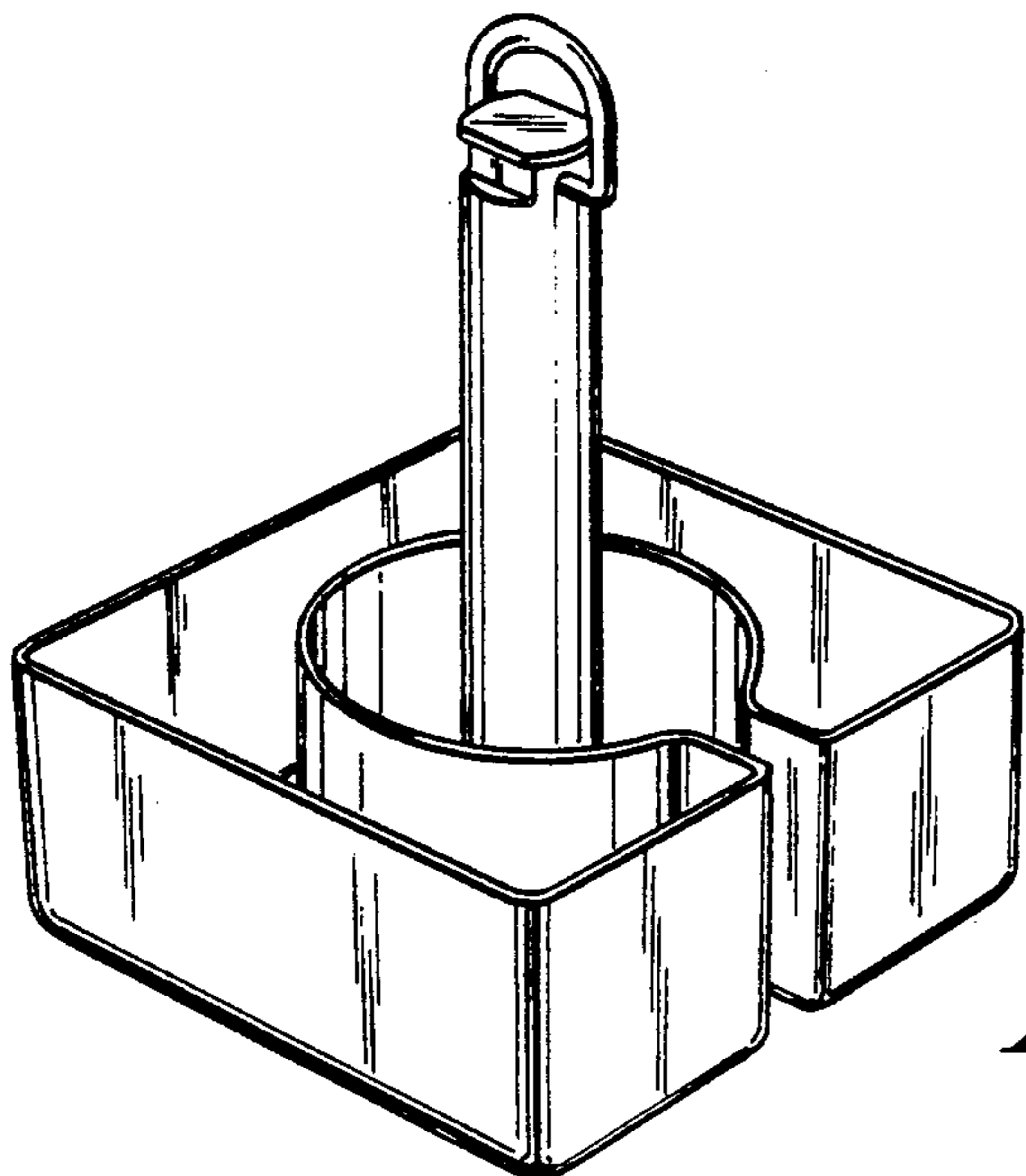


Fig. 3