



US00D324490S

United States Patent [19]

[11] Patent Number: Des. 324,490

Ricketts

[45] Date of Patent: ** Mar. 10, 1992

[54] COMBINED ARTICLE HOLDER AND ROPE CINCH THEREFOR

[76] Inventor: Leland T. Ricketts, 36088 52nd St., Bangor, Mich. 49013

[**] Term: 14 Years

[21] Appl. No.: 650,707

[22] Filed: Feb. 1, 1991

[52] U.S. Cl. D8/373; D8/383

[58] Field of Search D8/354, 383, 373, 367; 211/124, 70, 123

[56] **References Cited**

U.S. PATENT DOCUMENTS

D. 33,956	1/1901	Kline et al.	D8/354
D. 44,132	6/1913	Metcalf	D8/354
1,457,166	5/1923	Hayes	211/124 X
1,663,176	3/1928	Reyher	211/124
1,966,283	7/1934	Brody	211/123
3,854,591	12/1974	Schuessler	211/123

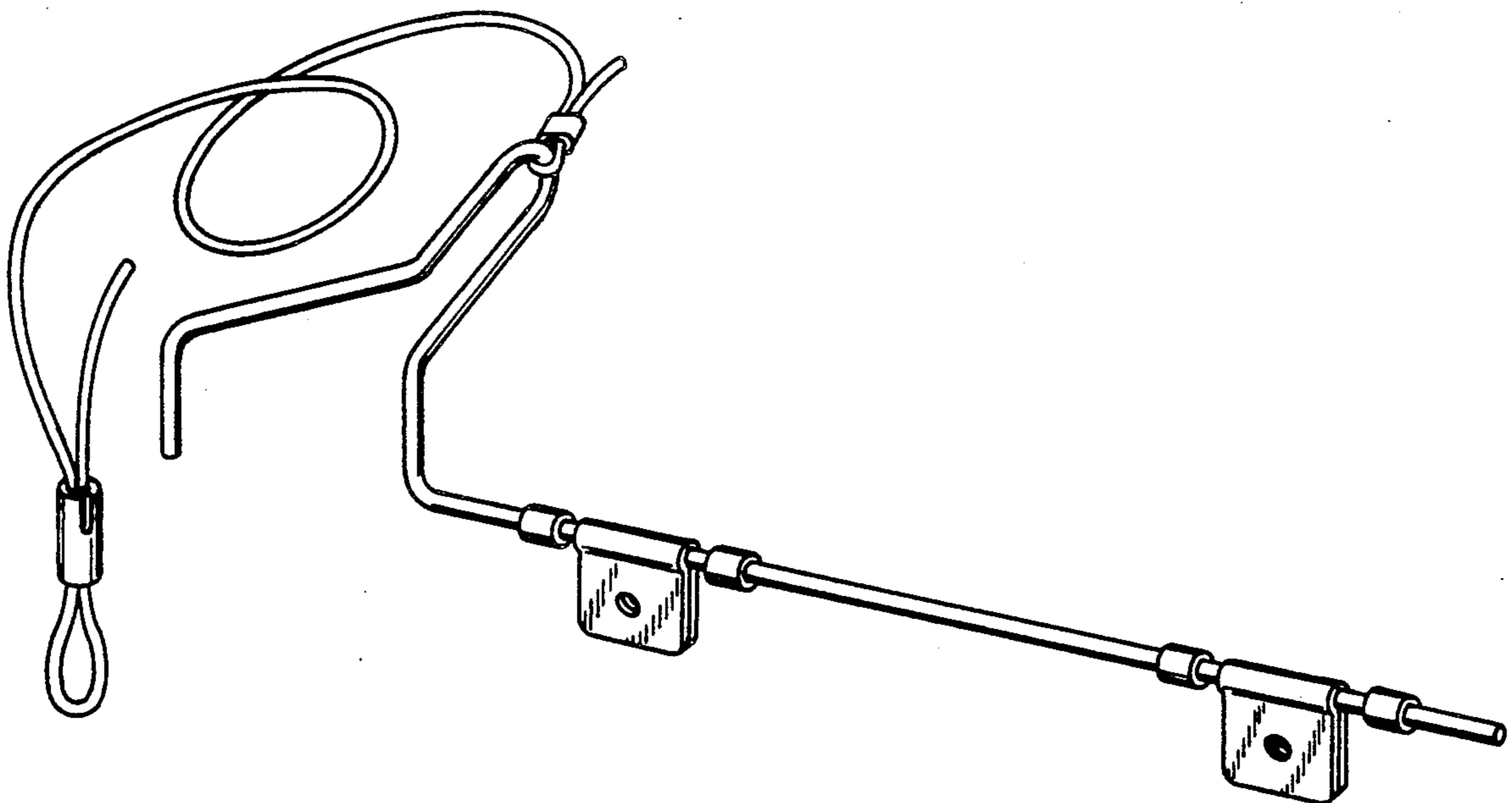
Primary Examiner—Wallace R. Burke
Assistant Examiner—H. Baynham
Attorney, Agent, or Firm—Flynn, Thiel, Boutell & Tanis

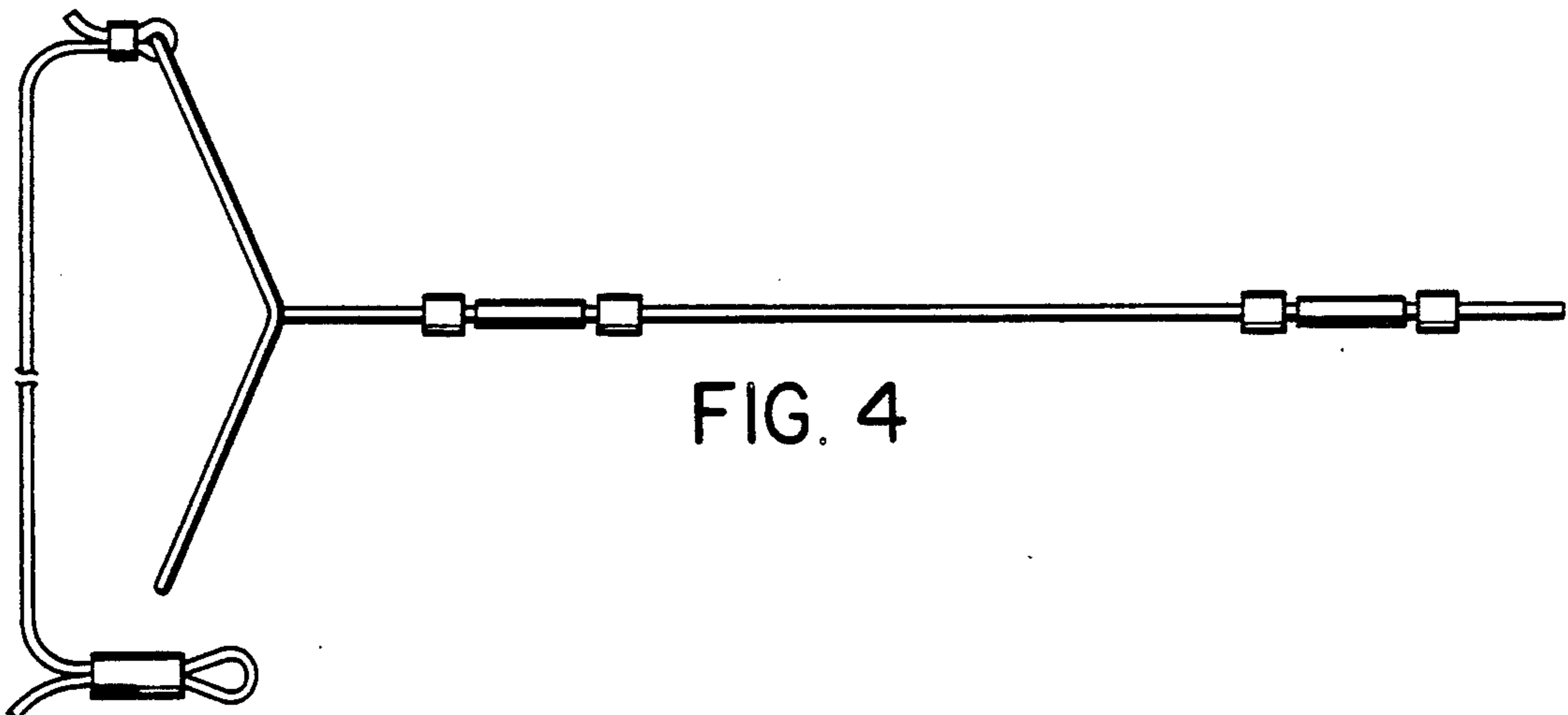
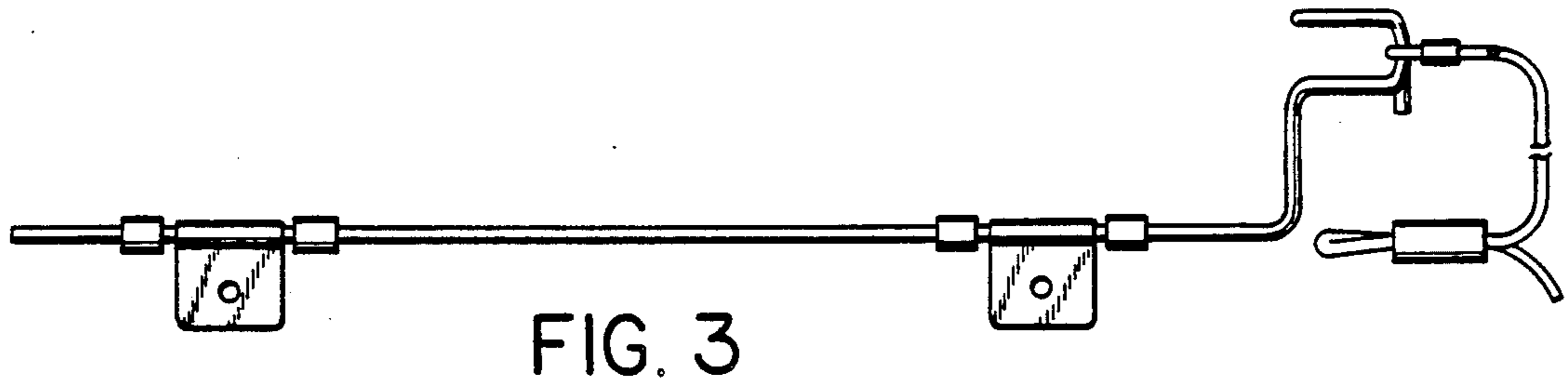
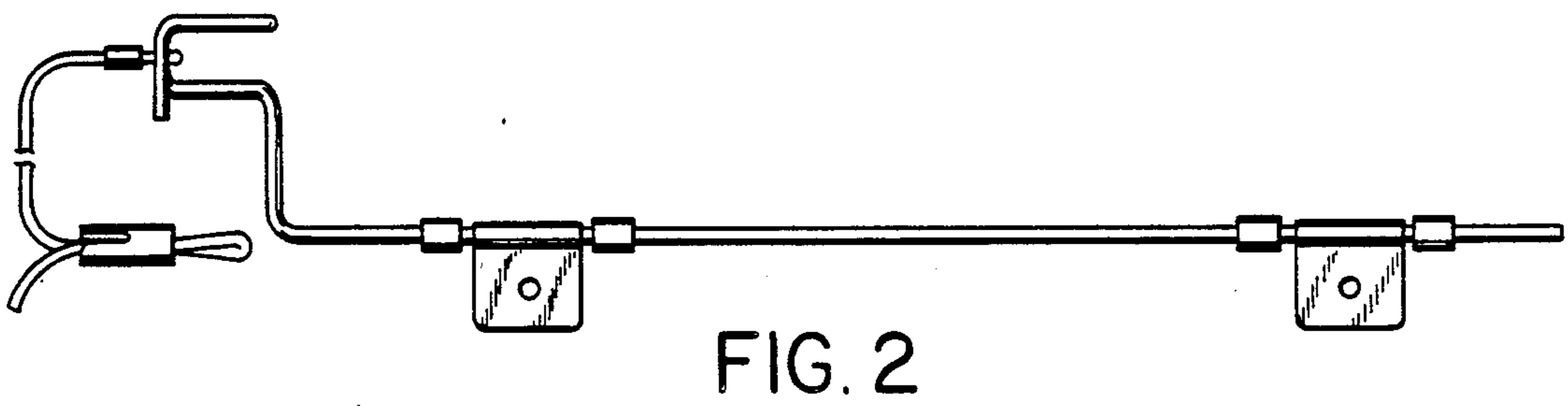
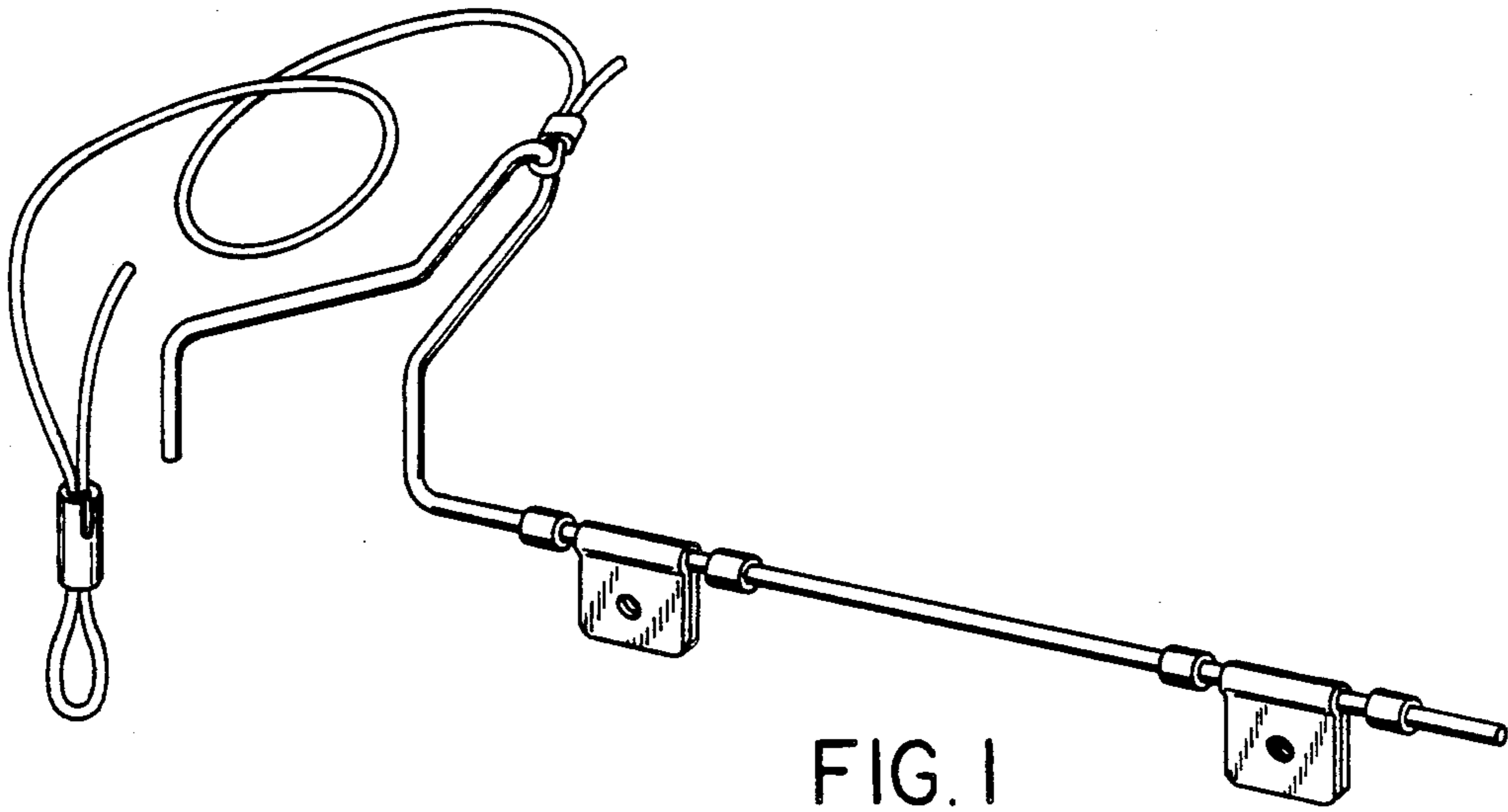
[57] **CLAIM**

The ornamental designs for a combined article holder and rope cinch therefor, as shown and described.

DESCRIPTION

FIG. 1 is a perspective view of a combined article support and rope cinch therefor showing my new design; FIG. 2 is a front elevational view thereof; FIG. 3 is a rear elevational view thereof; FIG. 4 is a top plan view thereof; FIG. 5 is a bottom plan view thereof; FIG. 6 is a right side elevational view thereof; FIG. 7 is a left side elevational view thereof; FIG. 8 is a perspective view of a second embodiment of the design shown in FIG. 1; FIG. 9 is a perspective view of a third embodiment of the design shown in FIG. 1; FIG. 10 is an enlarged detailed perspective view of the rope cinch clasp detached from the rope cinch for clarity of illustration only; FIG. 11 is a left side elevational view thereof; FIG. 12 is a right side elevational view thereof; FIG. 13 is a bottom plan view thereof; and FIG. 14 is a top plan view thereof.





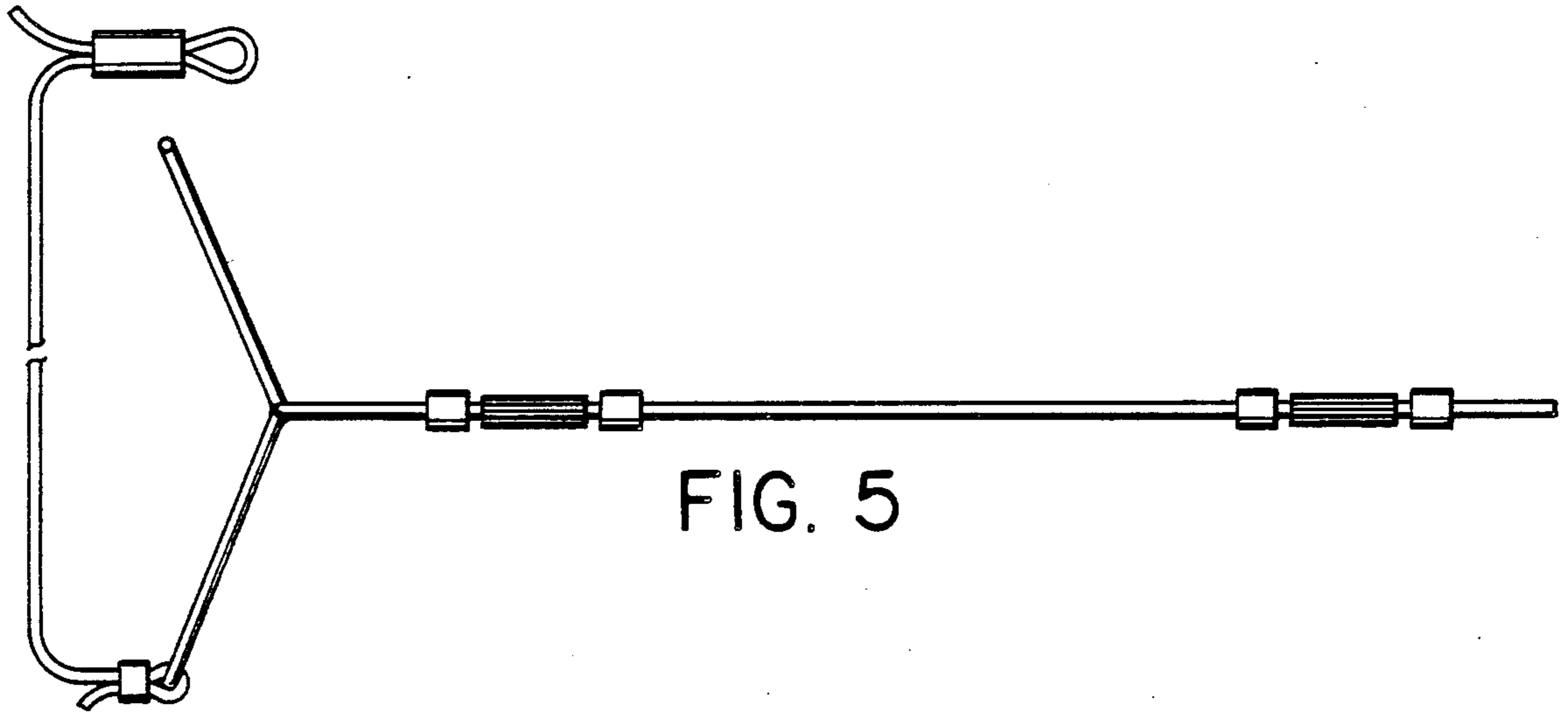


FIG. 5

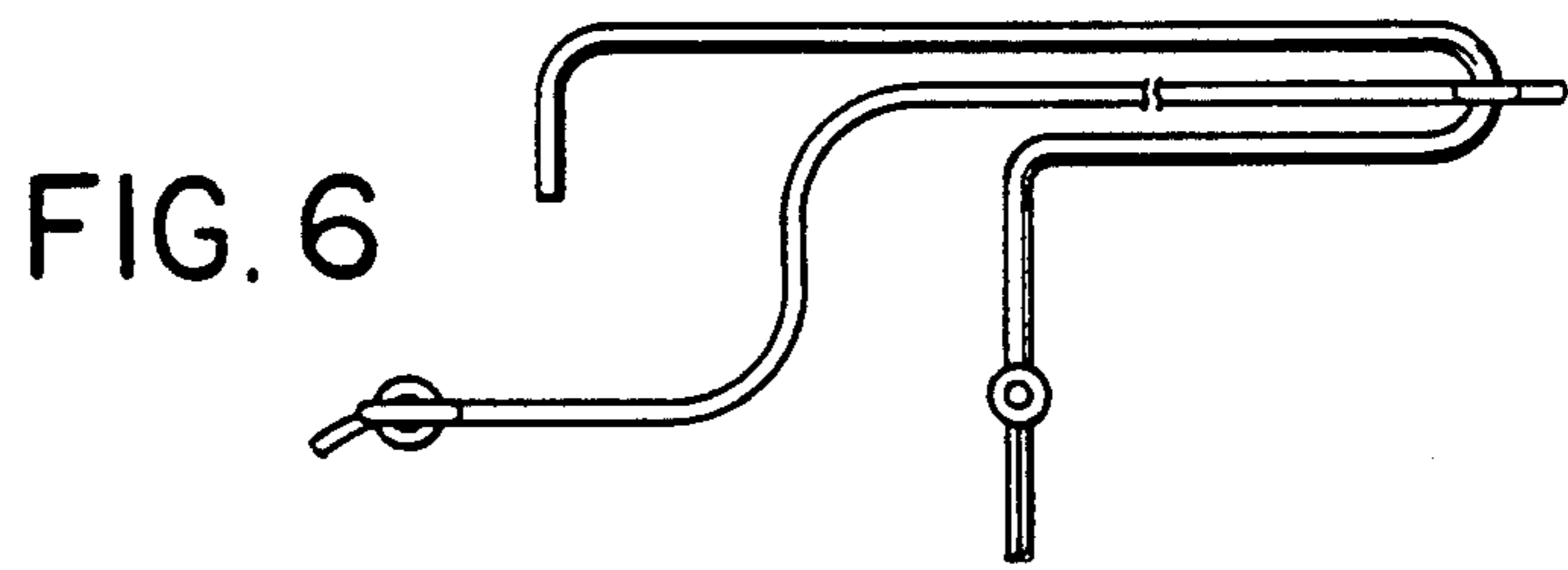


FIG. 6

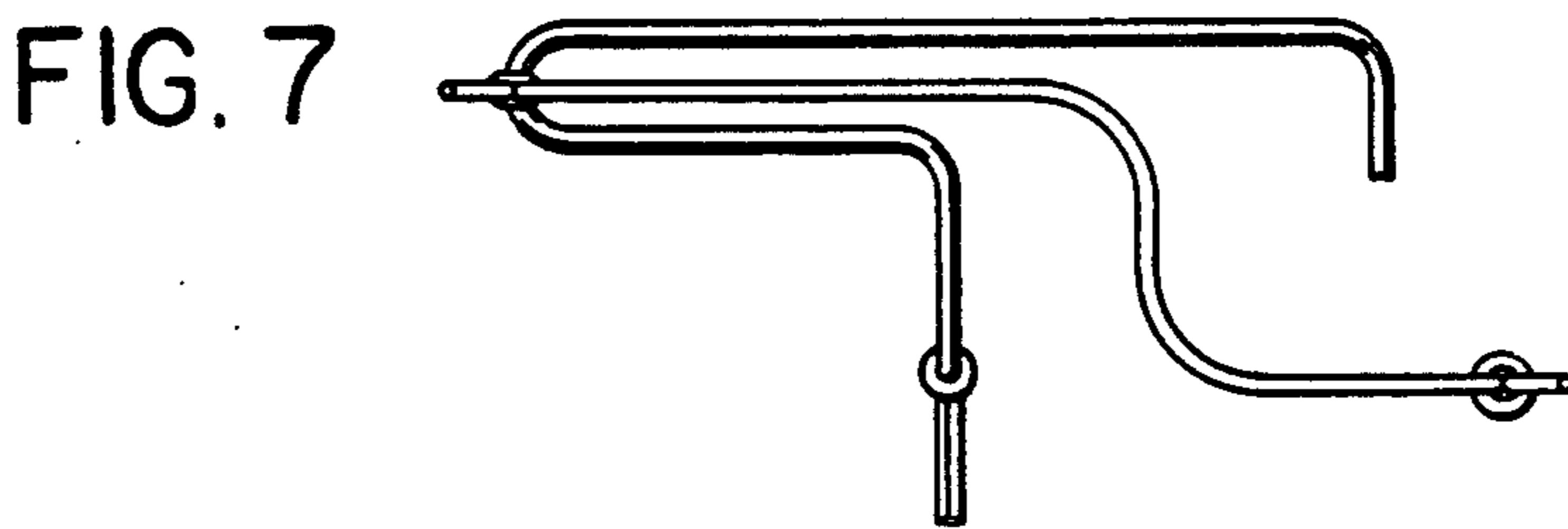


FIG. 7

