



US00D324489S

United States Patent [19]

[11] Patent Number: Des. 324,489

Wang

[45] Date of Patent: ** Mar. 10, 1992

[54] HANGER HOLDER FOR GARMENT BAGS OR THE LIKE

4,769,878 9/1988 Liao 206/291
4,850,562 7/1989 Mazzanti 206/291
4,858,870 8/1989 Mazzanti 211/124

[76] Inventor: Chin-Chiao Wang, No. 18, Lane 116, Ta An Kang Rd., Ta Chia Chen, Taichung Hsien, Taiwan

Primary Examiner—B. J. Bullock
Attorney, Agent, or Firm—Varndell Legal Group

[**] Term: 14 Years

[57] CLAIM

[21] Appl. No.: 487,071

The ornamental design for a hanger holder for garment bags or the like, as shown and described.

[22] Filed: Feb. 27, 1990

[52] U.S. Cl. D8/373

DESCRIPTION

[58] Field of Search D6/315; D8/373; 206/279, 285, 287, 289, 290, 291, 293, 298; 248/316.6; 211/127

FIG. 1 is a perspective view of hanger holder for garment bags or the like, showing my new design; FIG. 2 is a front elevational thereof, the rear being a mirror image;

[56] References Cited

U.S. PATENT DOCUMENTS

4,363,388 12/1982 London et al. 206/387
4,618,058 10/1986 Gregg et al. 206/287
4,732,270 3/1988 Myers et al. 206/289
4,753,342 6/1988 Pulichiro, Jr. et al. 206/279

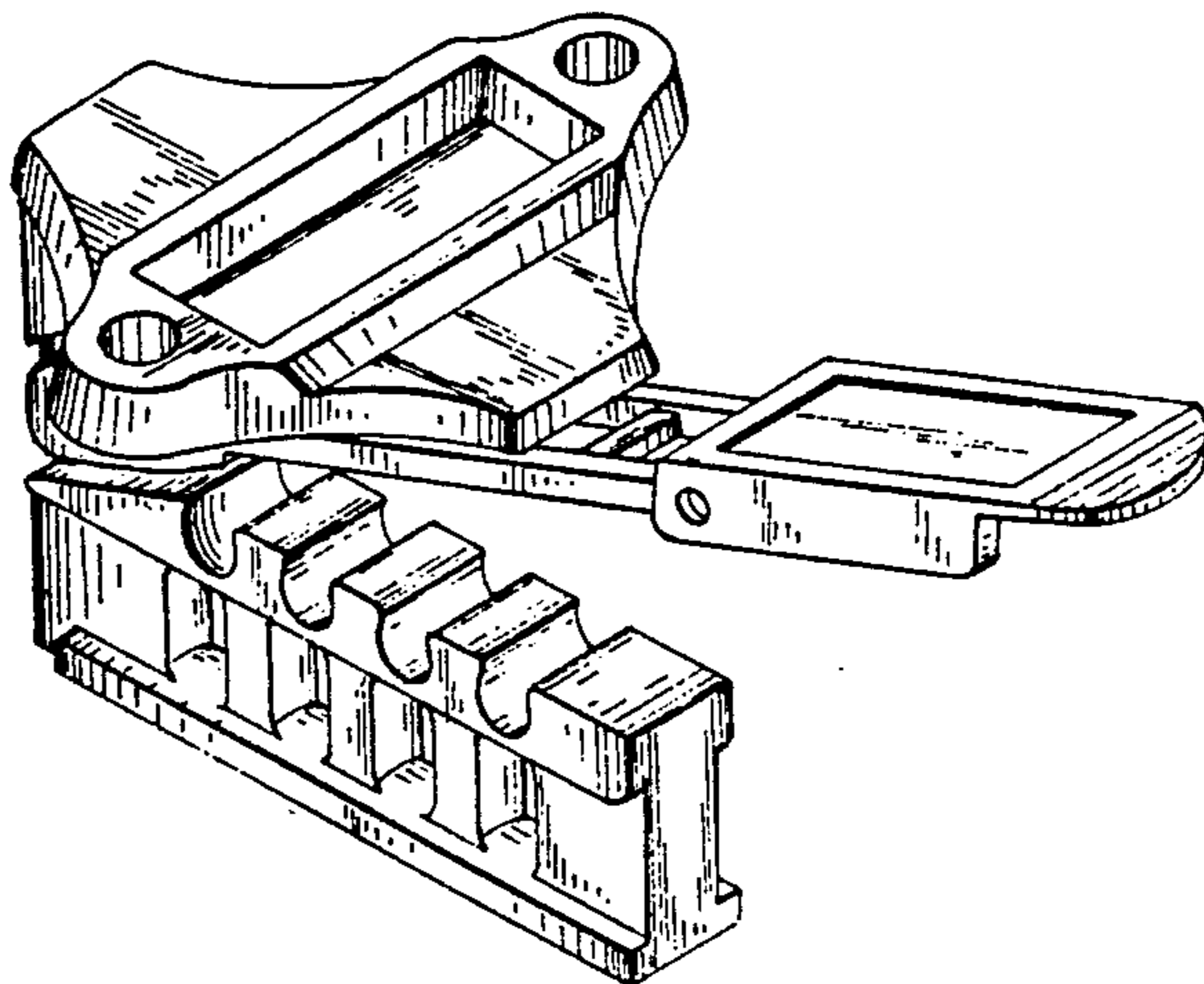
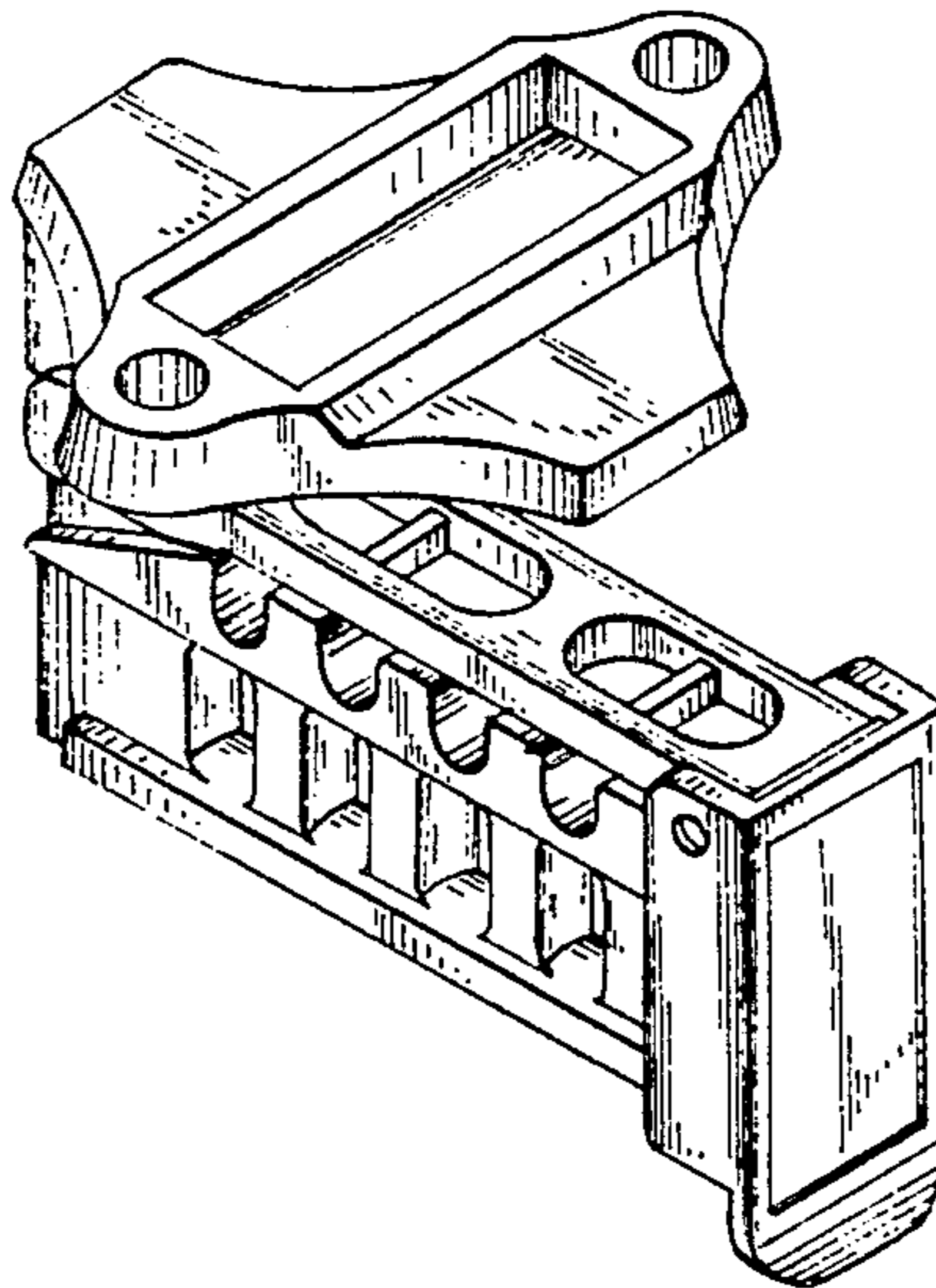
FIG. 3 is a top plan view thereof;

FIG. 4 is a bottom plan view thereof;

FIG. 5 is a left side elevational view thereof;

FIG. 6 is a right side elevational view thereof; and

FIG. 7 is a perspective view thereof, in the open position.



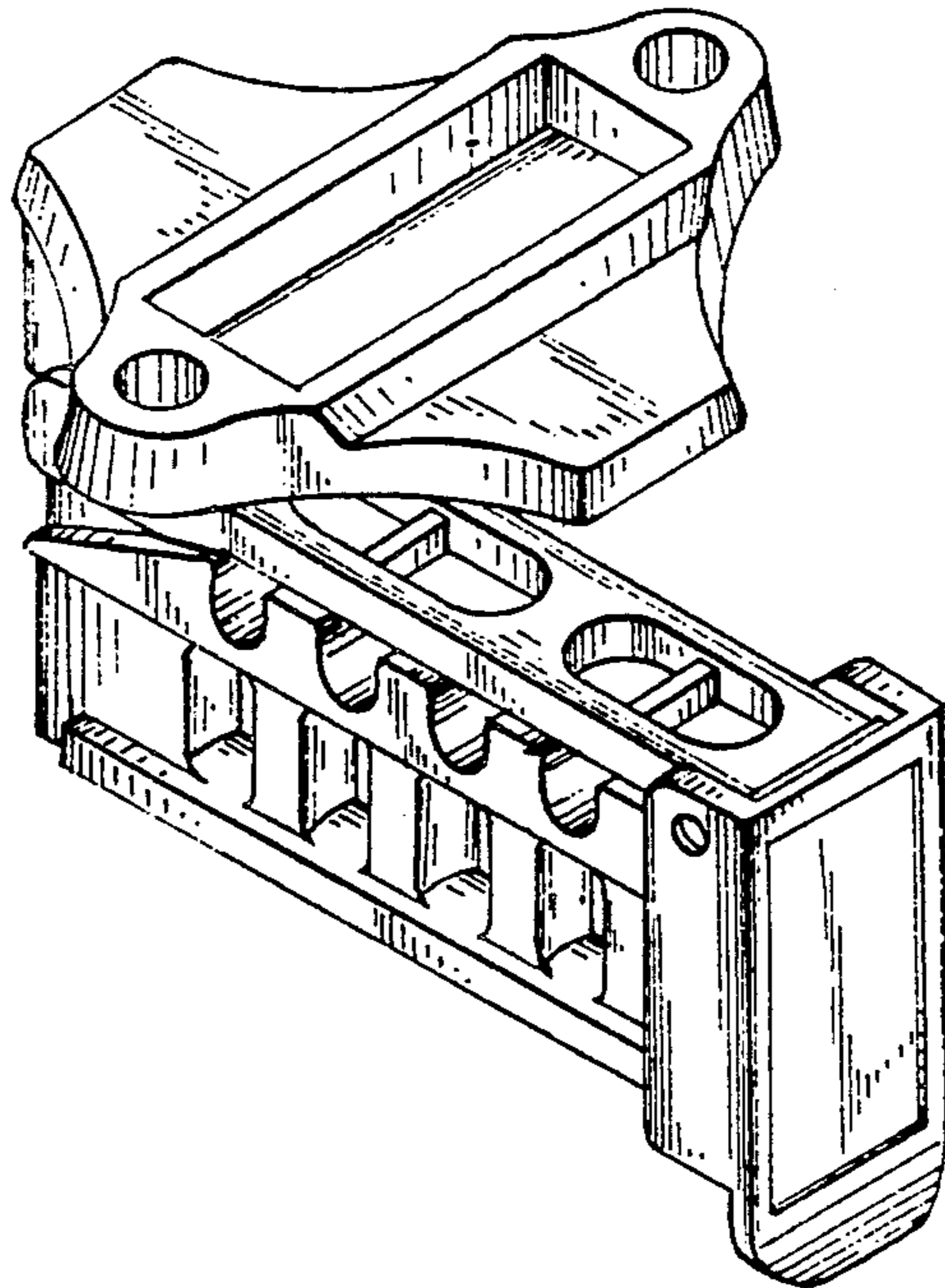


Fig. 1

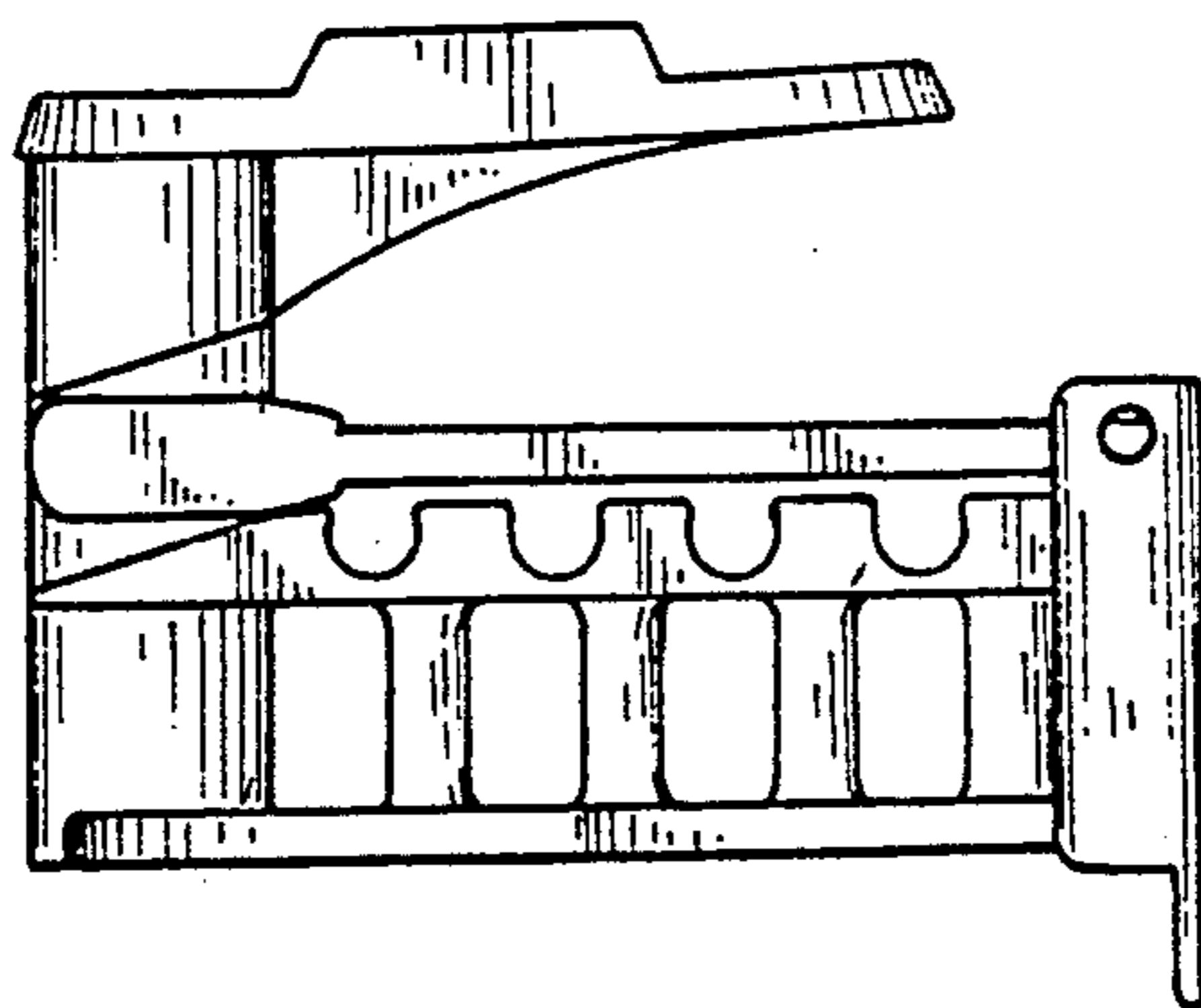


Fig. 2

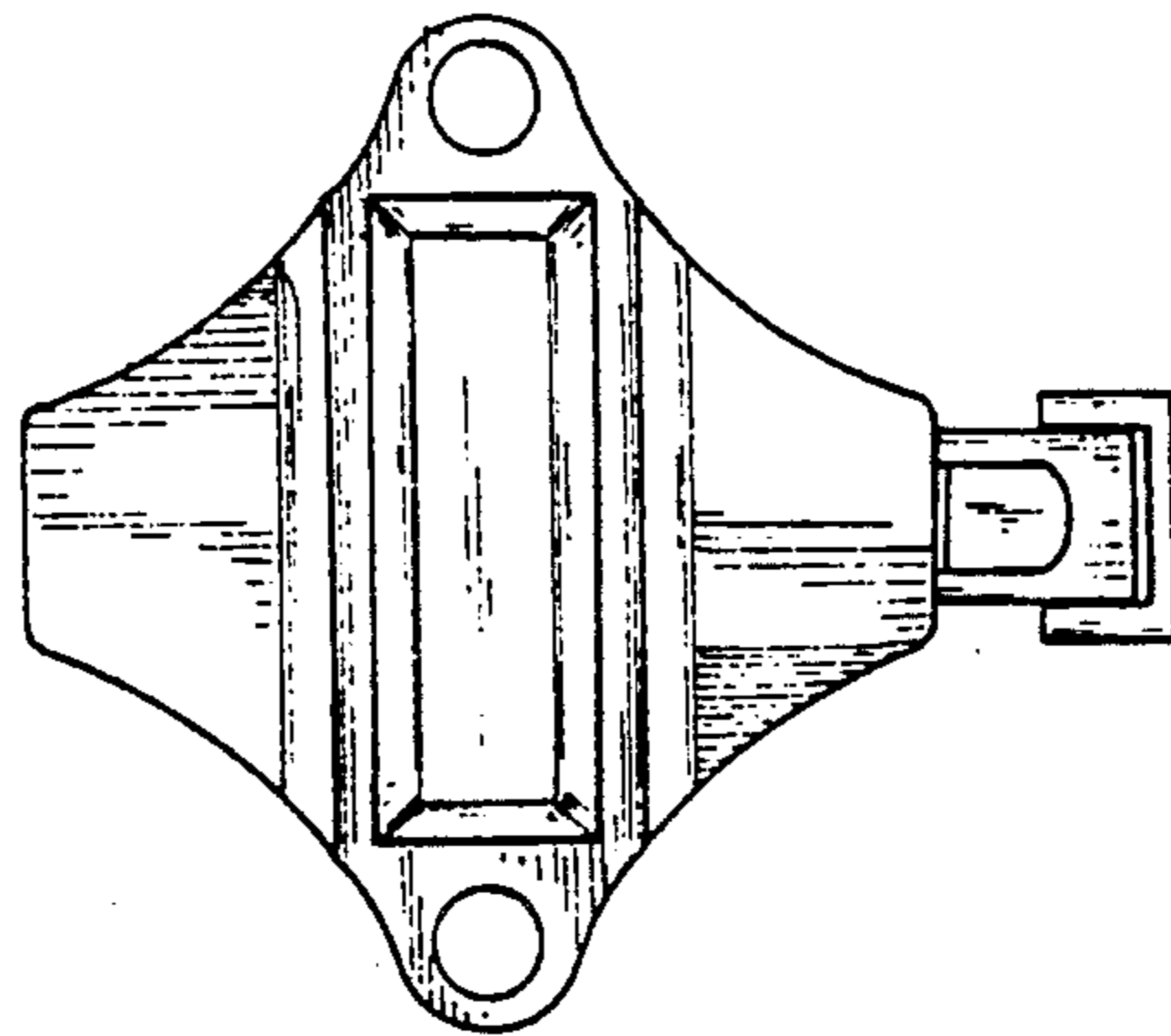


Fig. 3

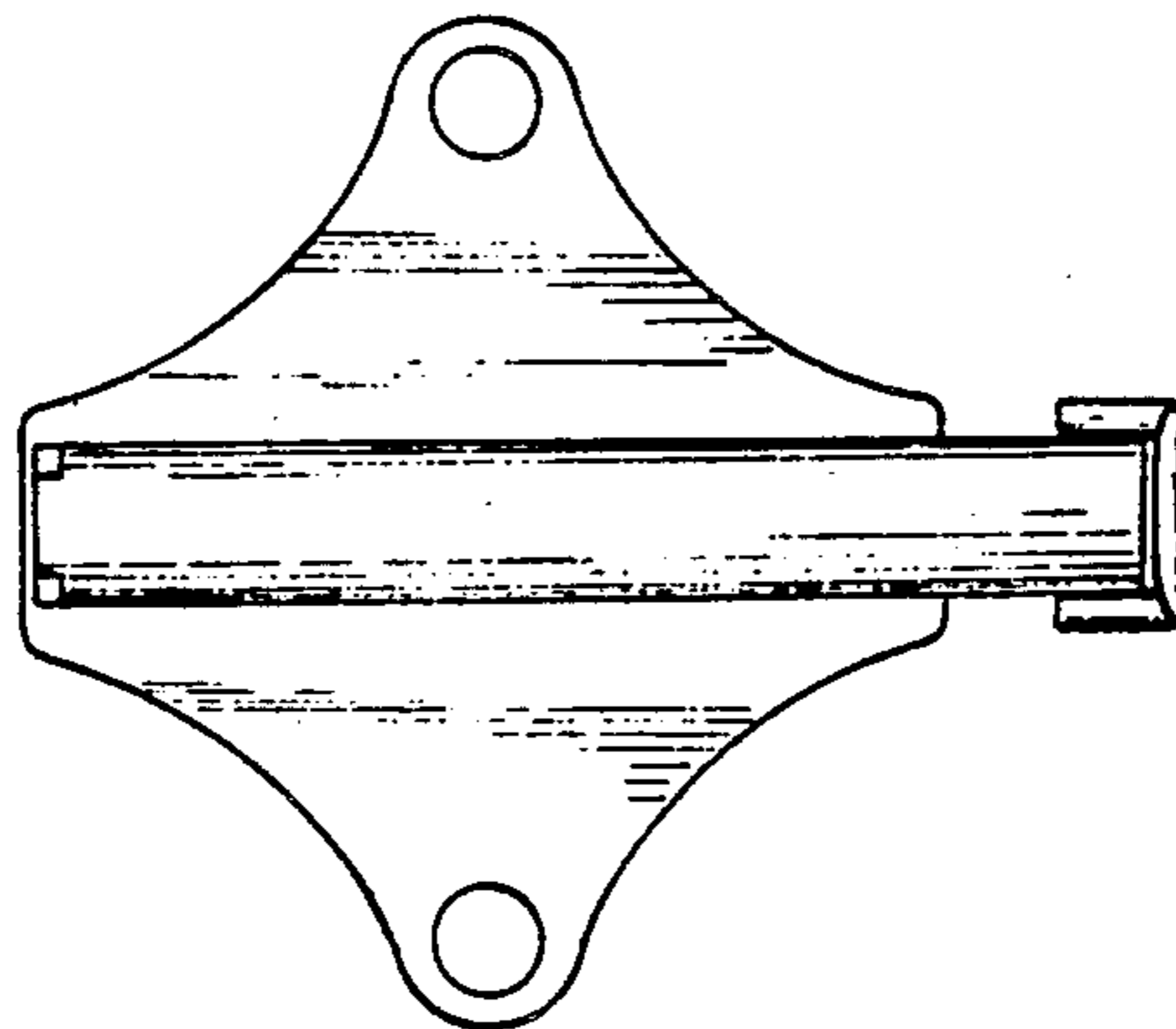


Fig. 4

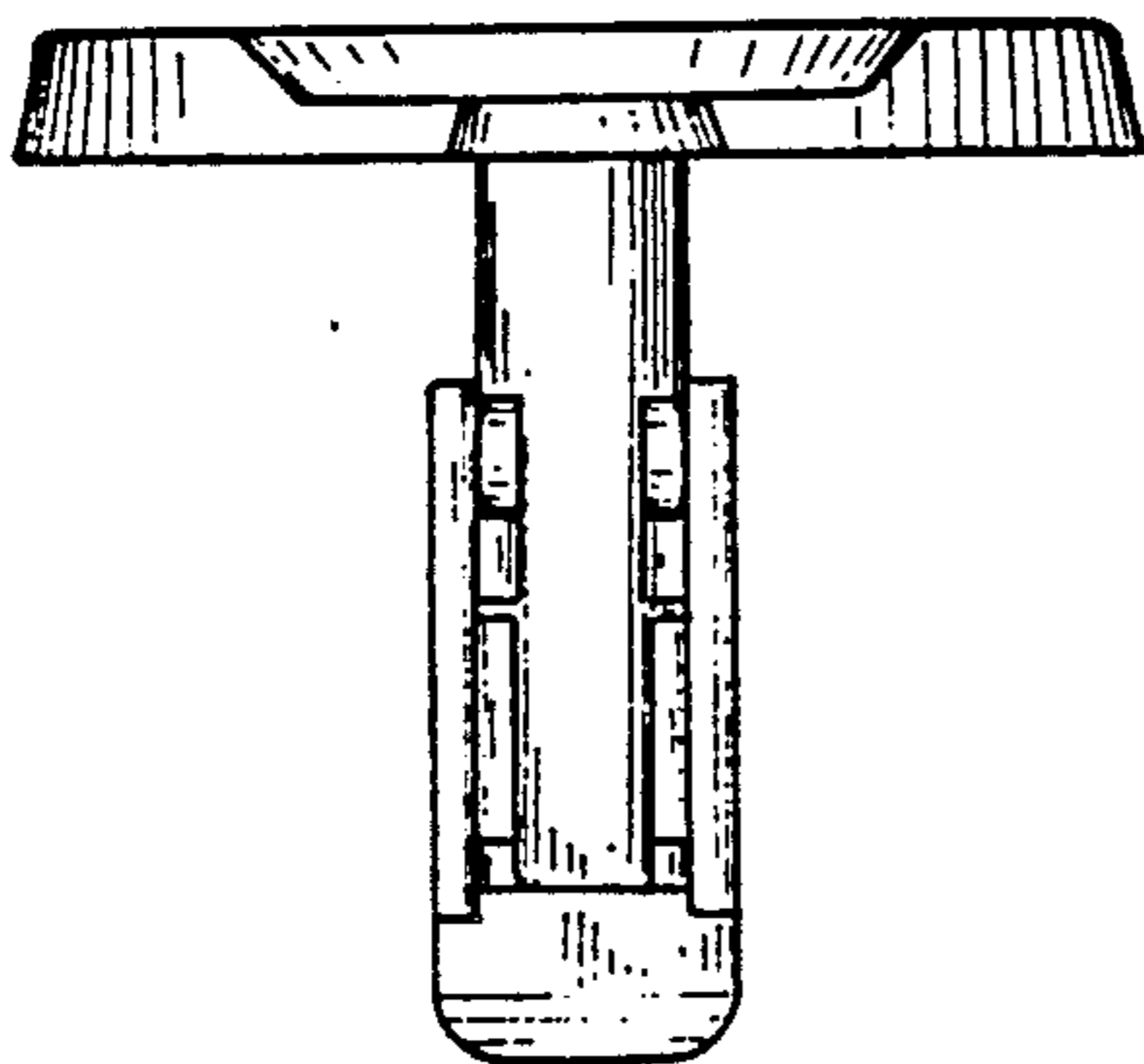


Fig. 5

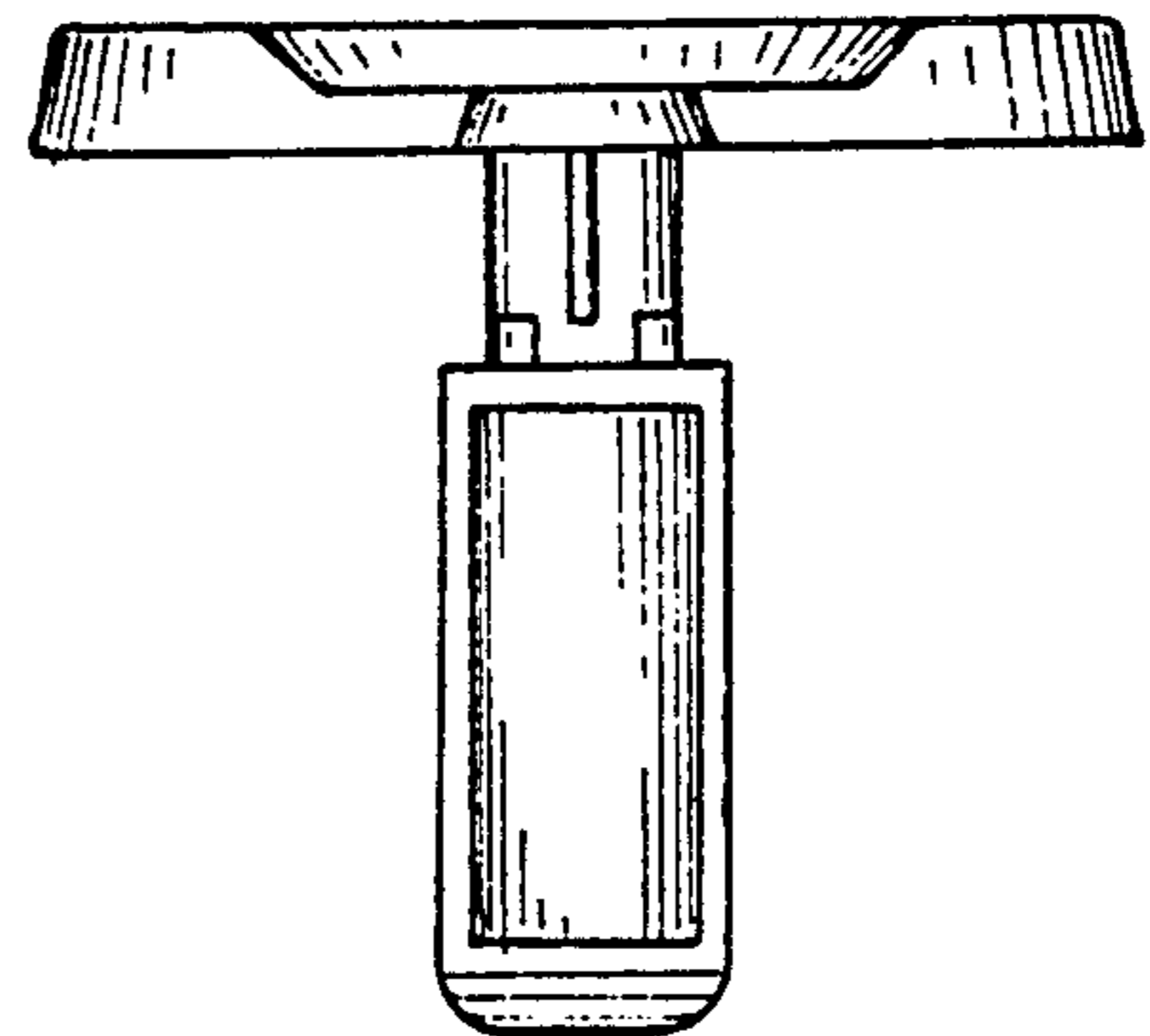


Fig. 6

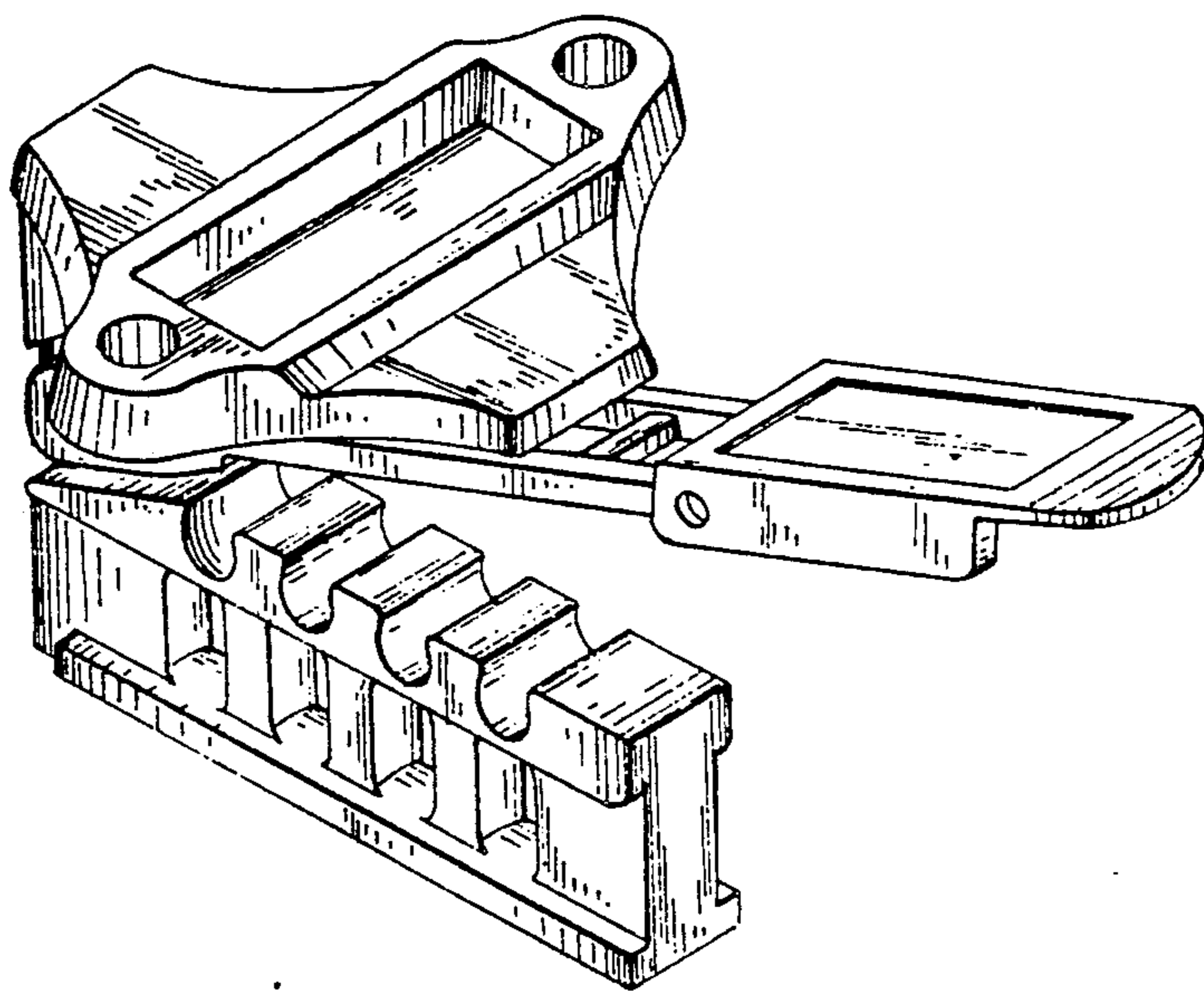


Fig. 7