



US00D324488S

United States Patent [19]

[11] Patent Number: **Des. 324,488**

Fujimoto

[45] Date of Patent: **** Mar. 10, 1992**

[54] WIRE CLAMP

4,137,602 2/1979 Klumpp .

[75] Inventor: Nobuaki Fujimoto, Okazaki, Japan

4,765,034 8/1988 Kasai 24/136 R

[73] Assignee: Kitagawa Industries Co., Ltd., Aichi, Japan

FOREIGN PATENT DOCUMENTS

[**] Term: 14 Years

1364079 8/1974 United Kingdom 24/297

[21] Appl. No.: 480,513

2016579 9/1979 United Kingdom 24/129 R

[22] Filed: Feb. 15, 1990

Primary Examiner—Wallace R. Burke

Assistant Examiner—H. Baynham

Attorney, Agent, or Firm—Oliff & Berridge

[30] Foreign Application Priority Data

[57] CLAIM

Aug. 17, 1989 [JP] Japan 1-30055

The ornamental design for a wire clamp, as shown and described.

[52] U.S. Cl. D8/356

[58] Field of Search D8/356, 383, 396, 395; 16/2; 24/71.2, 136 R, 135 R, 115 R, 129 R, 297, 453; 248/56, 74.1, 74.3; 174/153 G; 285/194; 403/406.1, 371; D13/156

DESCRIPTION

[56] References Cited

U.S. PATENT DOCUMENTS

- D. 257,321 10/1980 Voorhees, Jr. D8/396 X
- 2,424,757 7/1947 Klumpp .
- 2,758,498 8/1956 Johnson 24/453 X
- 3,001,007 9/1961 Klumpp .
- 3,079,581 2/1963 Klumpp, Jr. .
- 3,243,240 3/1966 Arthur 174/153 G
- 3,397,280 8/1968 Klumpp .
- 3,516,111 6/1970 Heyman .
- 3,562,847 2/1971 Jemison .

FIG. 1 is a top plan view of a wire clamp showing my new design;

FIG. 2 is a bottom plan view thereof;

FIG. 3 is a front elevational view thereof;

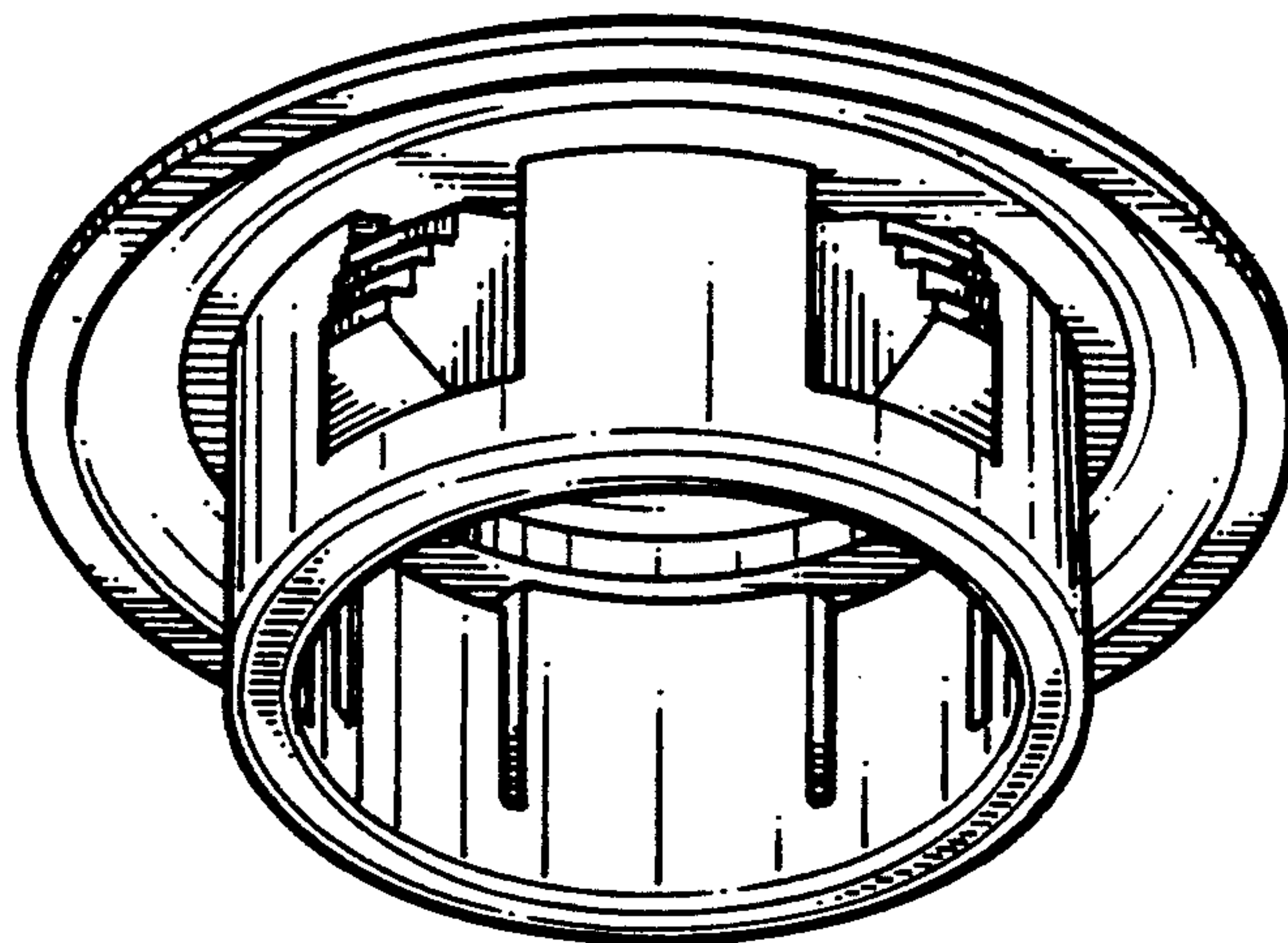
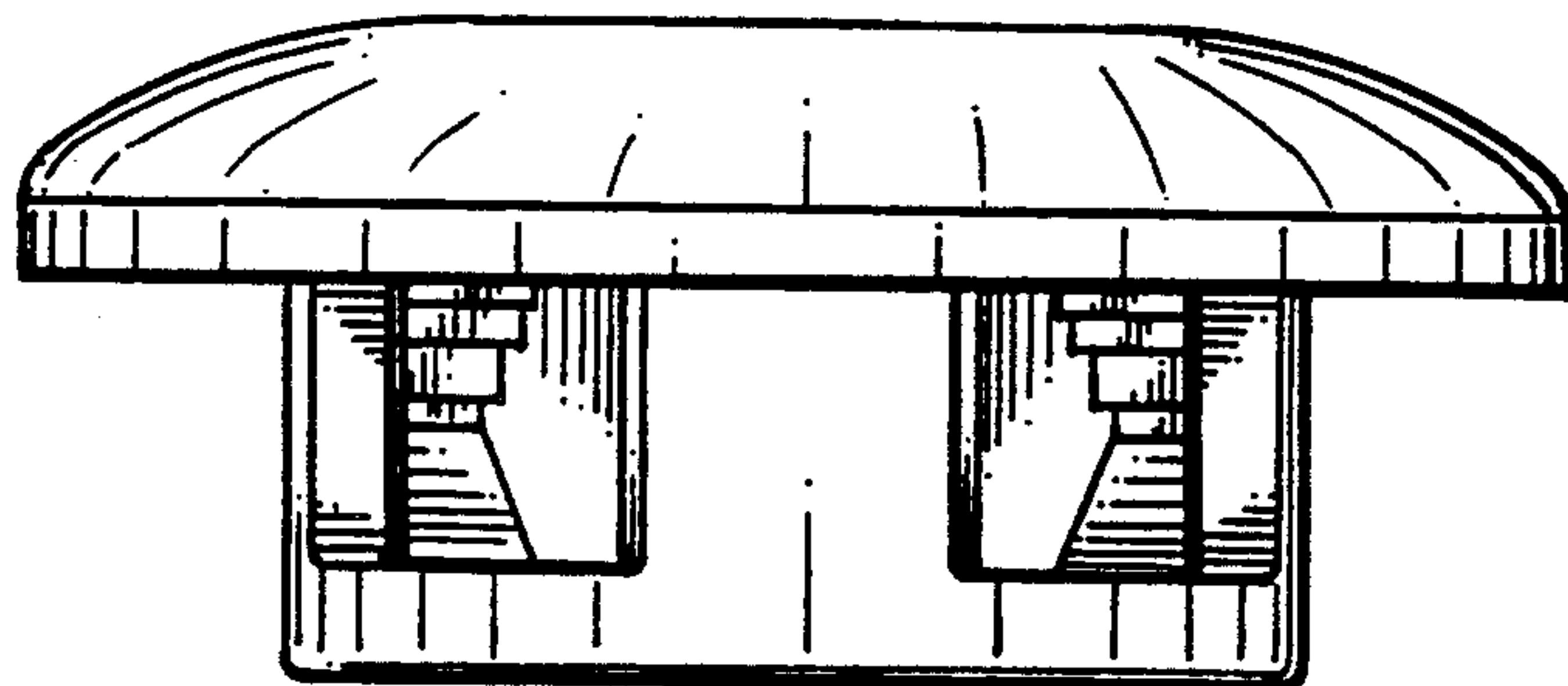
FIG. 4 is a right side elevational view thereof;

FIG. 5 is a sectional view thereof taken along line 5—5 of FIG. 1;

FIG. 6 is a sectional view thereof taken along line 6—6 of FIG. 1;

FIG. 7 is a bottom perspective view thereof; and

FIG. 8 is a reduced sectional view of the article in use with the dotted lines showing a wire, an attachment and a base for illustrative purposes only and forming no part of the claimed design.



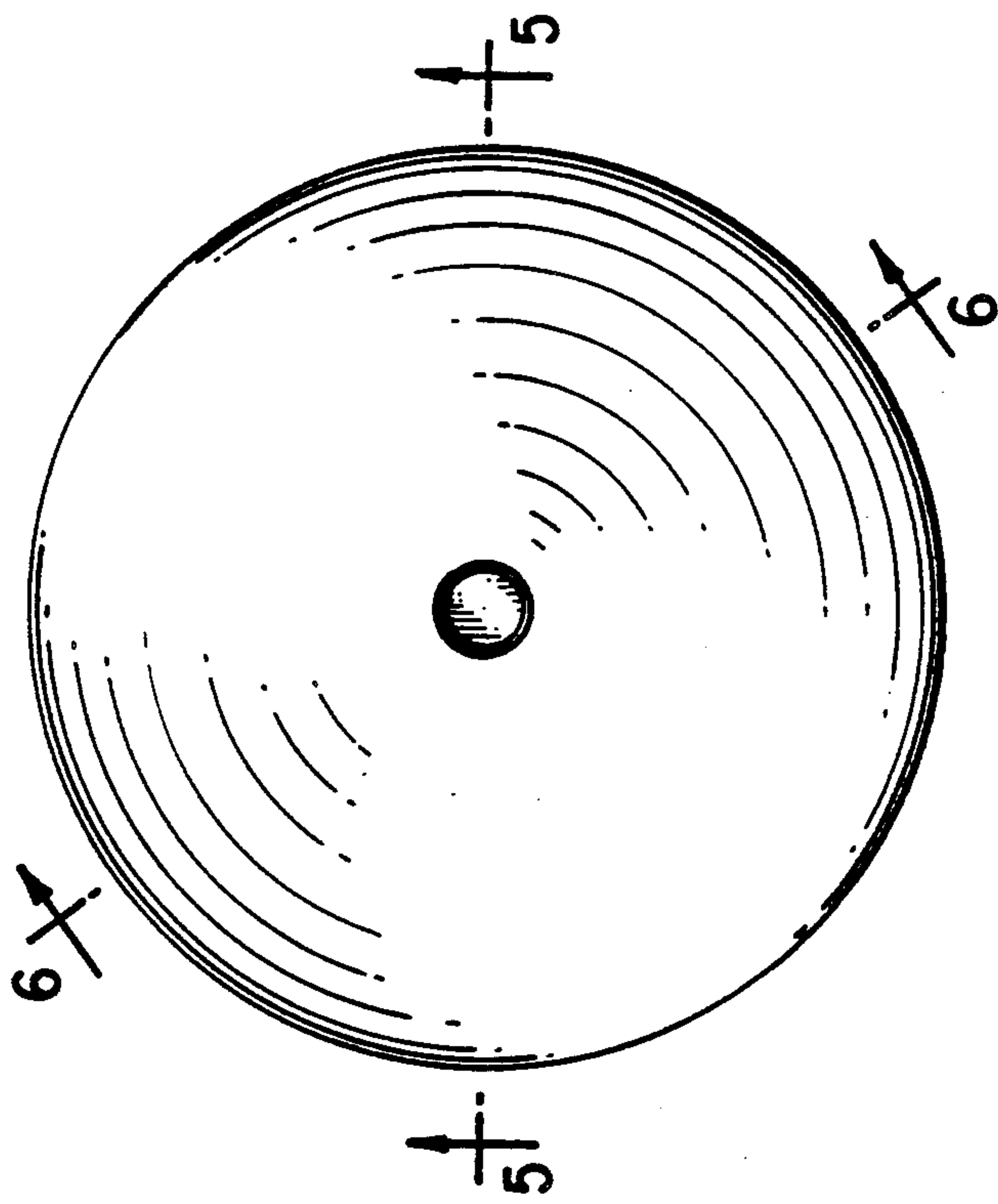


FIG. 1

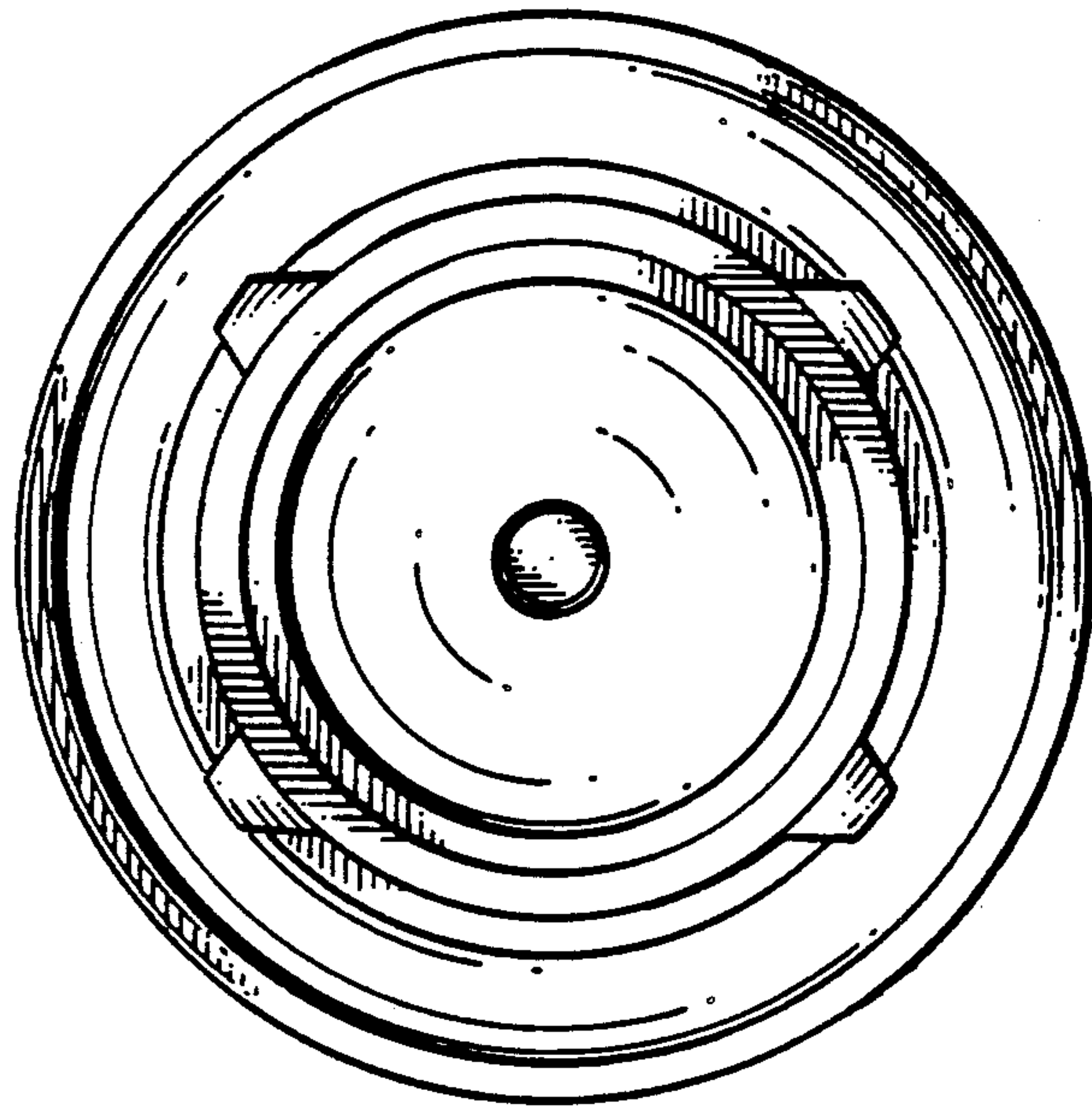


FIG. 2

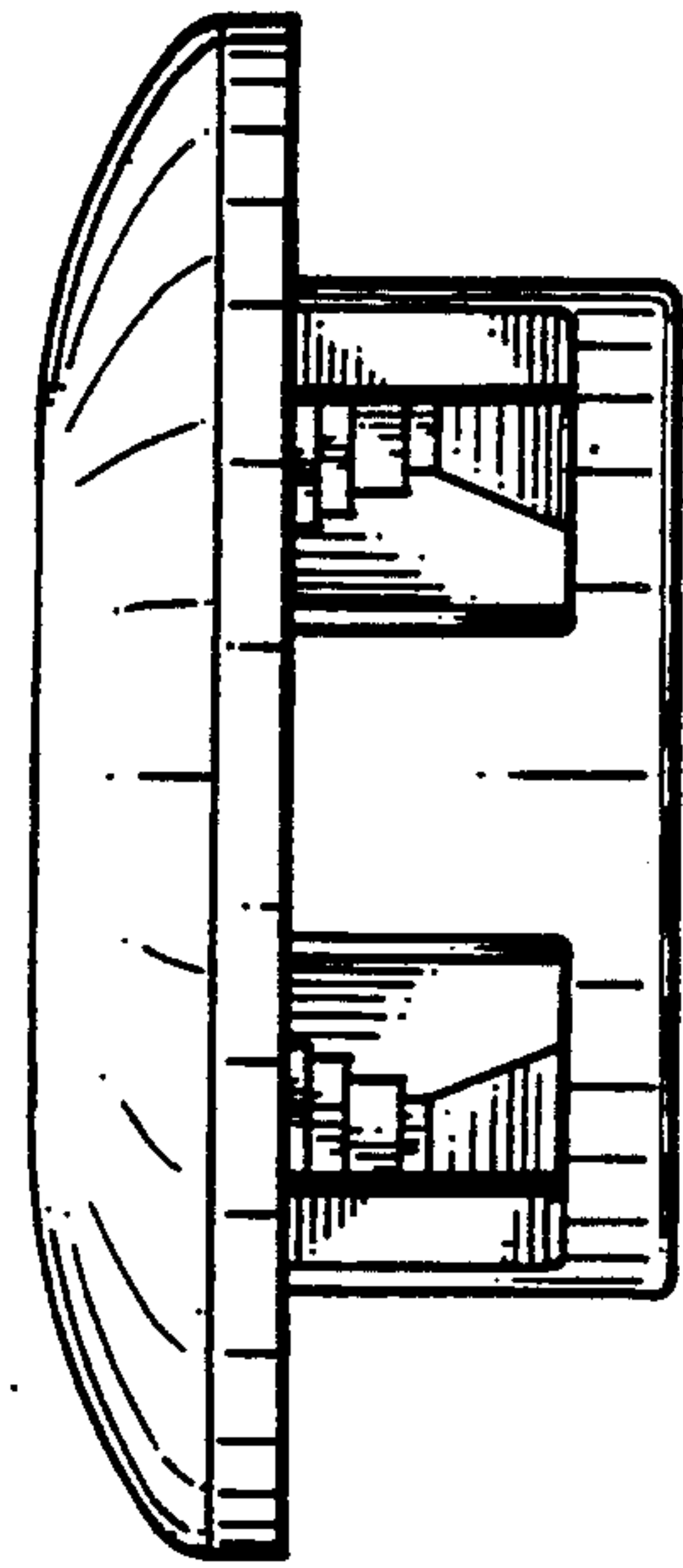


FIG. 3

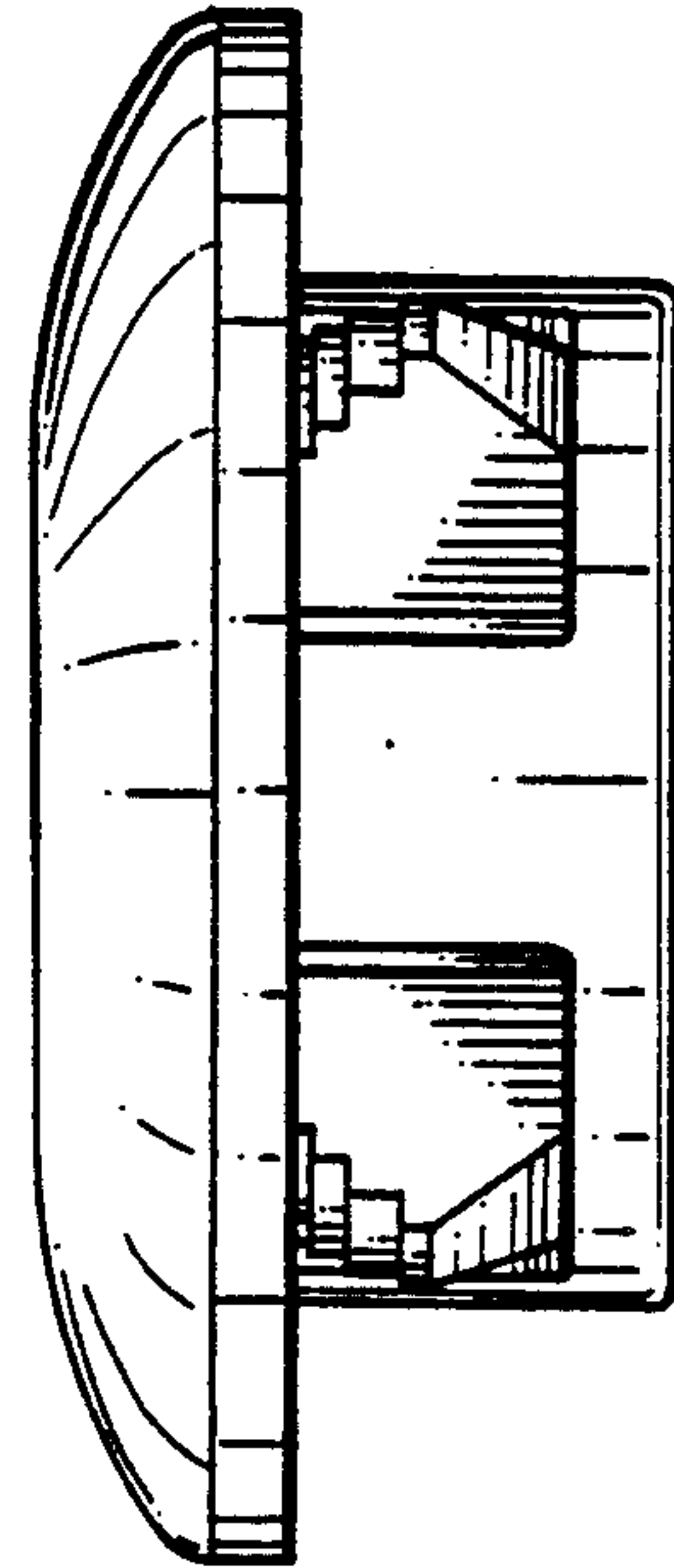


FIG. 4

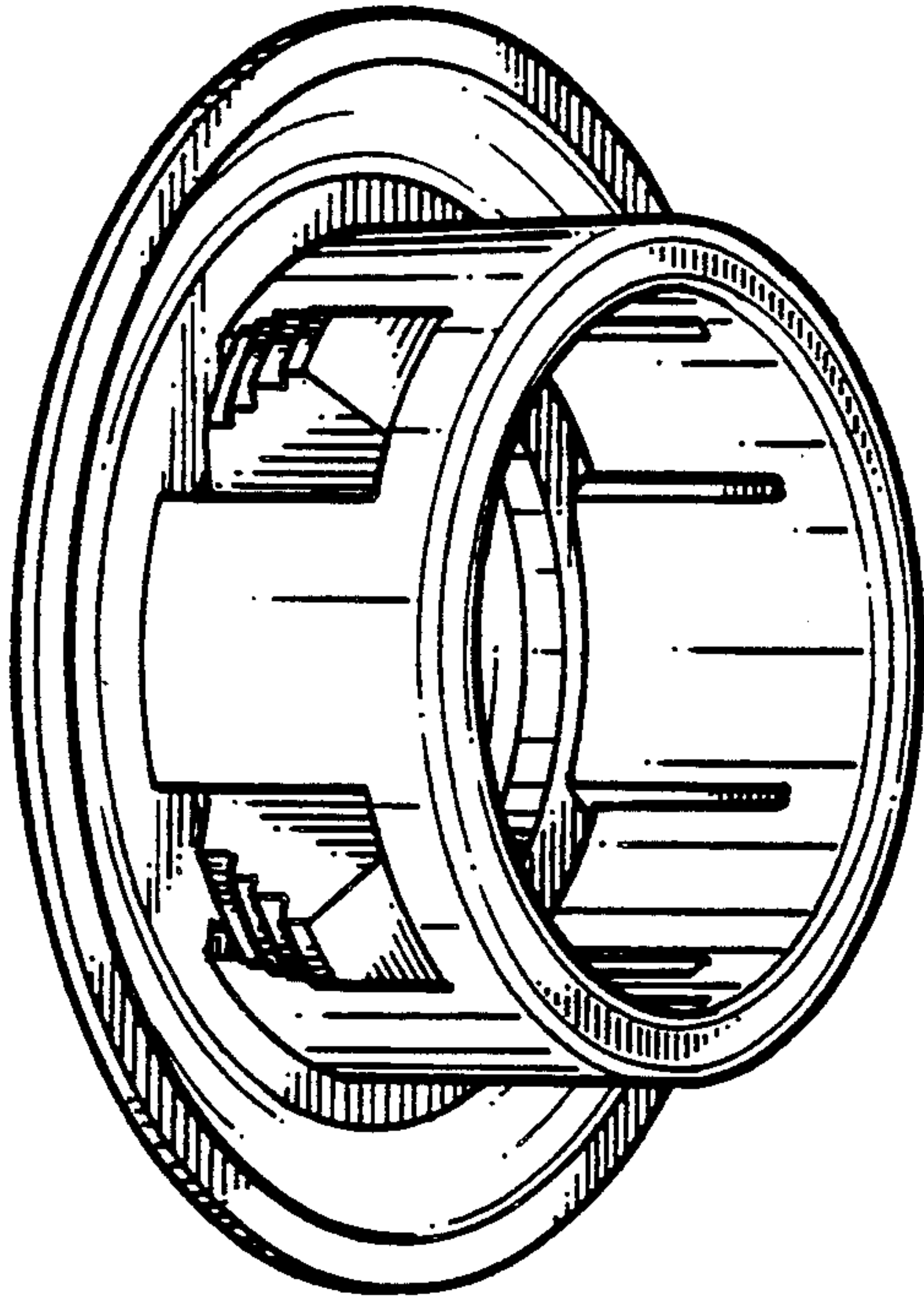


FIG. 7

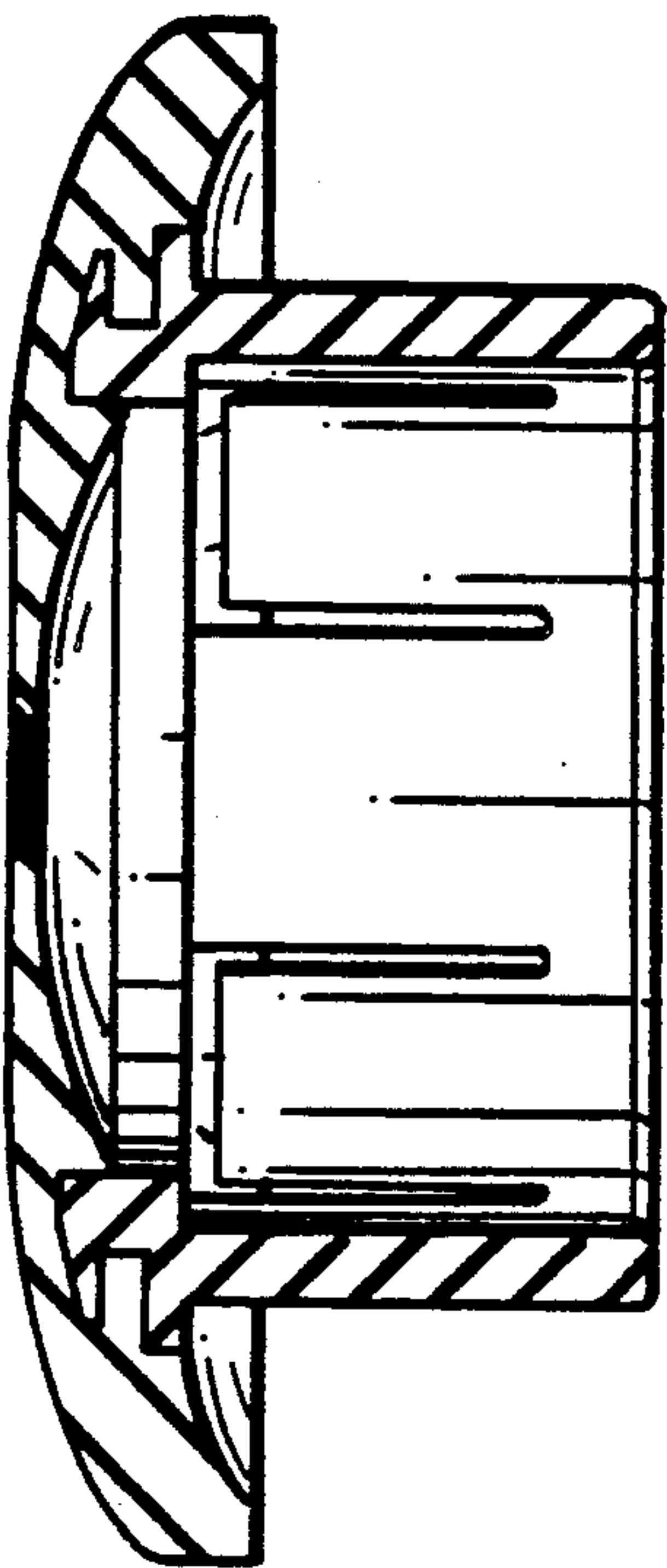


FIG. 5

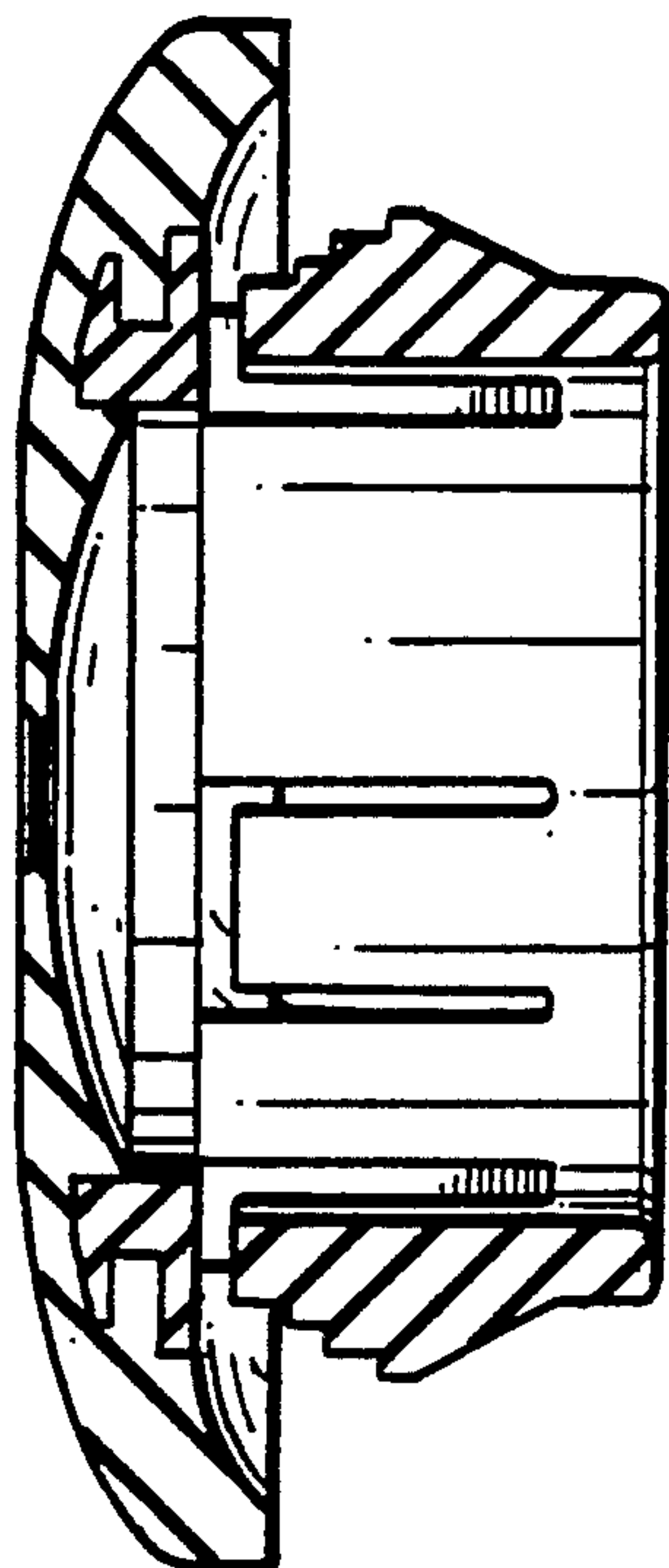


FIG. 6

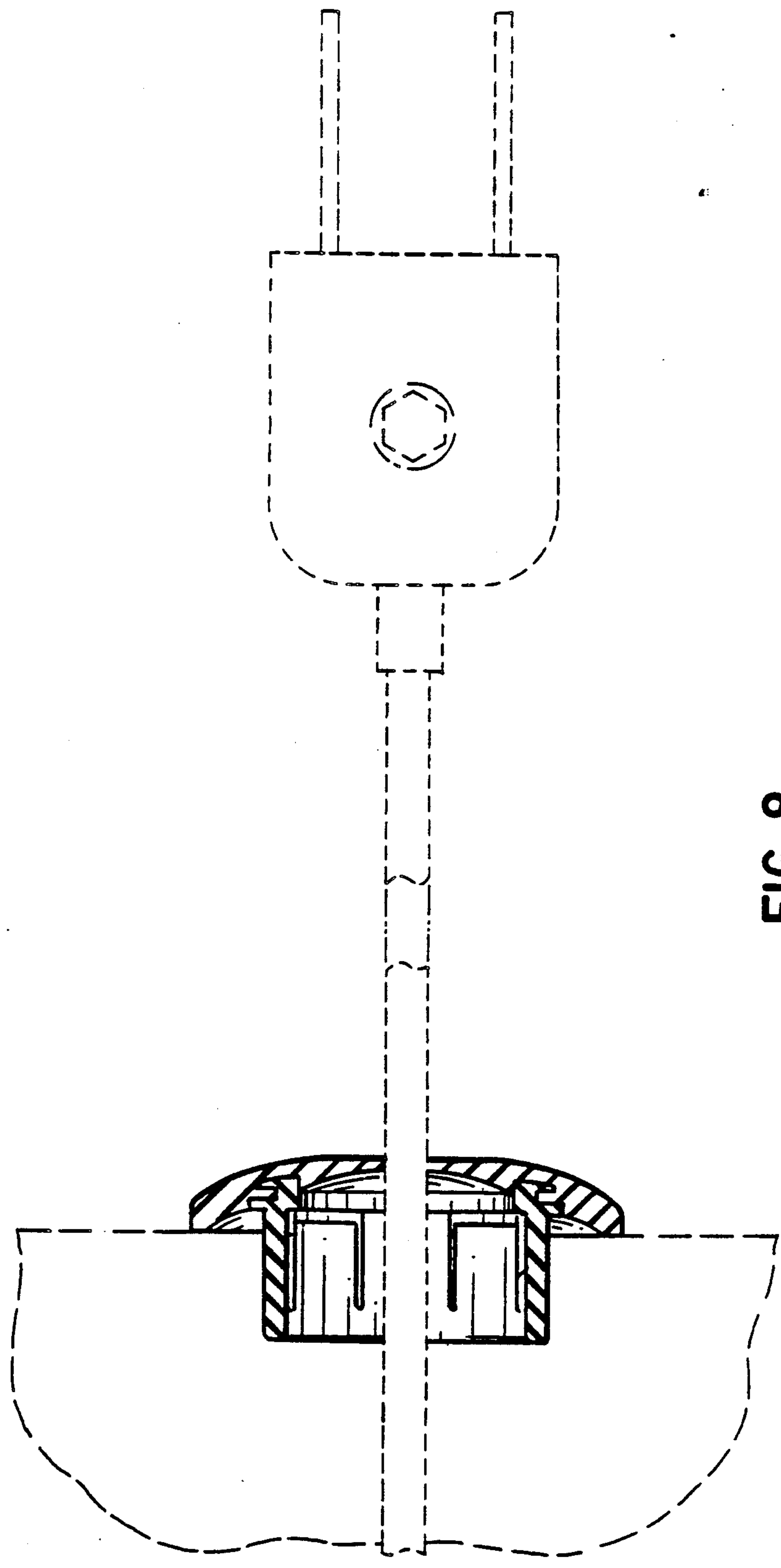


FIG. 8