



US00D324480S

United States Patent [19]

[11] Patent Number: Des. 324,480

Roop et al.

[45] Date of Patent: ** Mar. 10, 1992

- [54] DROPBOLT LOCK
- [75] Inventors: Stevie C. Roop, Dugspur; Peter H. Field, Salem, both of Va.
- [73] Assignee: Medeco Security Locks, Inc., Salem, Va.
- [**] Term: 14 Years
- [21] Appl. No.: 498,144
- [22] Filed: Mar. 22, 1990
- [52] U.S. Cl. D8/341
- [58] Field of Search D8/330-331, D8/336, 338, 339, 341; 70/91, 101-104, 113, 118, 124, 129

3,760,619 9/1973 Colombo 70/104
 4,067,212 1/1978 Vorob 70/103

OTHER PUBLICATIONS

Yale Europa Brochure, date unknown, but prior to 1986.
The New England Lock and Hardware Co., catalogue page, date unknown (prior to 1966).

Primary Examiner—Brian N. Vinson
Attorney, Agent, or Firm—Rothwell, Figg, Ernst & Kurz

[57] CLAIM

The ornamental design for a dropbolt lock, as shown and described.

DESCRIPTION

FIG. 1 is a top, front, and right side perspective view of a dropbolt lock showing our new design; FIG. 2 is a front elevational view thereof; FIG. 3 is a right side elevational view thereof; FIG. 4 is a left side elevational view thereof; FIG. 5 is a rear elevational view thereof; and FIG. 6 is a top plan view thereof, the bottom being a mirror image of that shown.

[56] **References Cited**
U.S. PATENT DOCUMENTS

D. 50,286	2/1917	Segal	D8/341
D. 242,840	12/1976	Schmidt	D8/338
D. 285,772	9/1986	Oliver	D8/341
D. 297,109	8/1988	Christie	D8/341

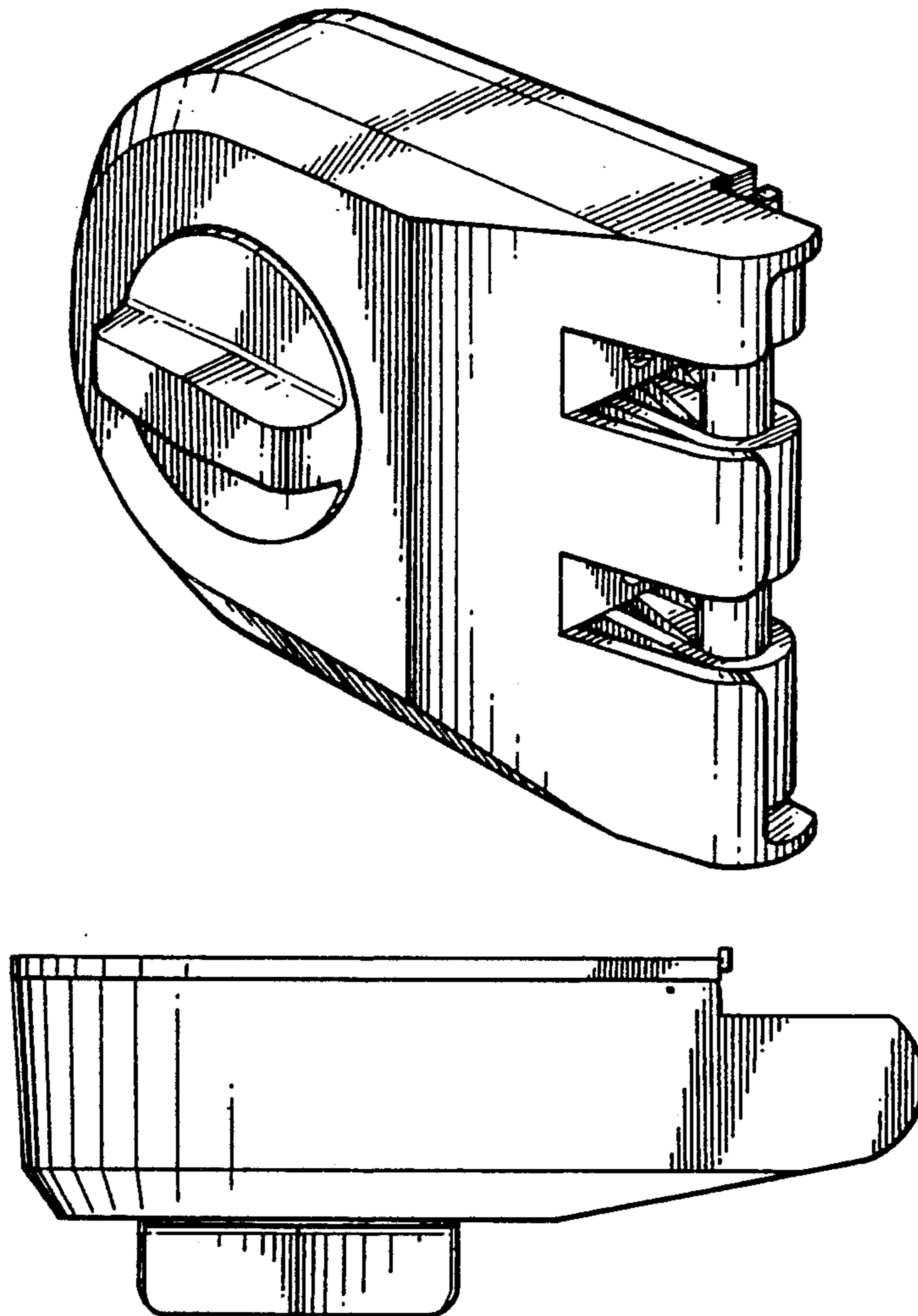


FIG. 1

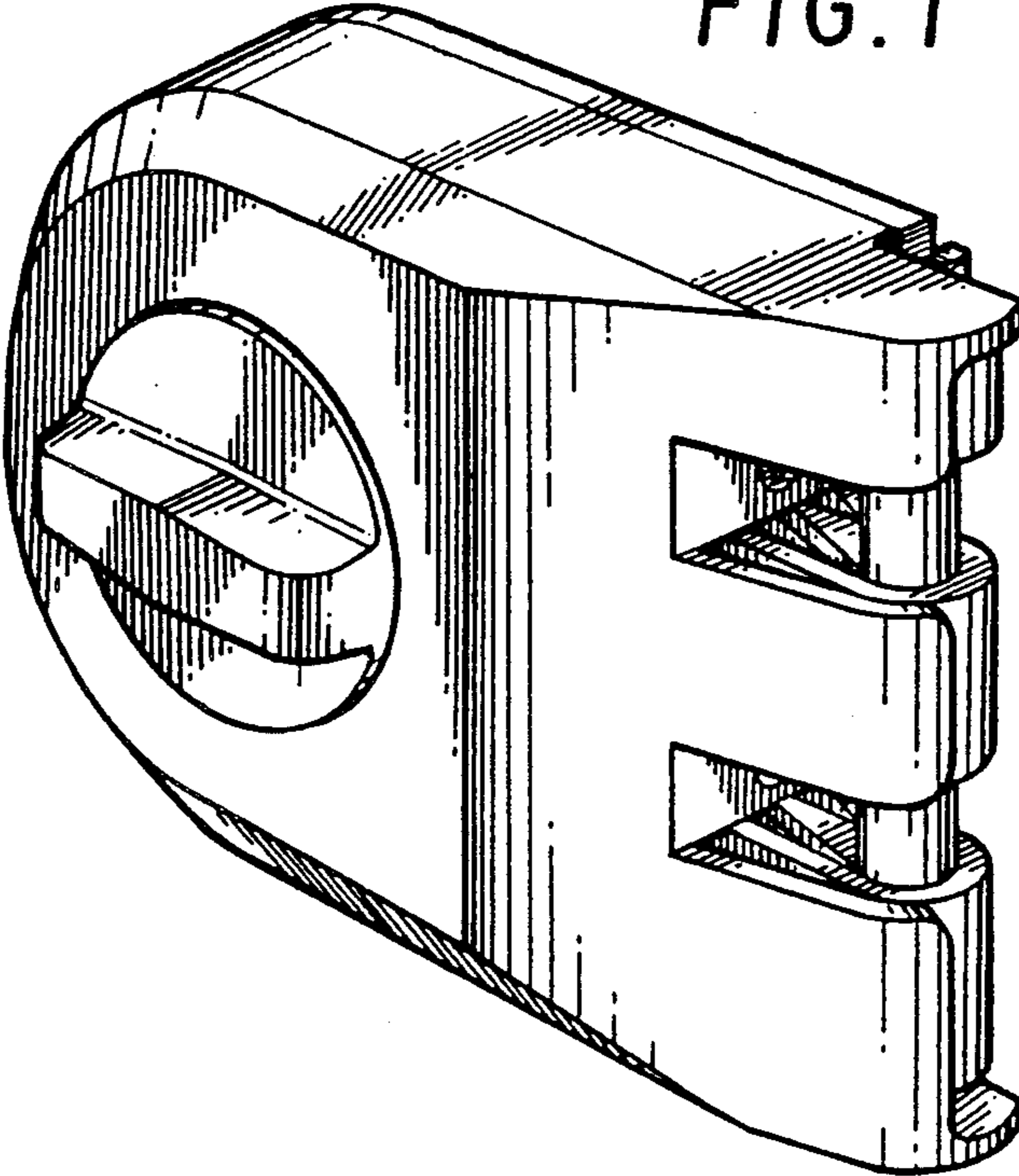


FIG. 2

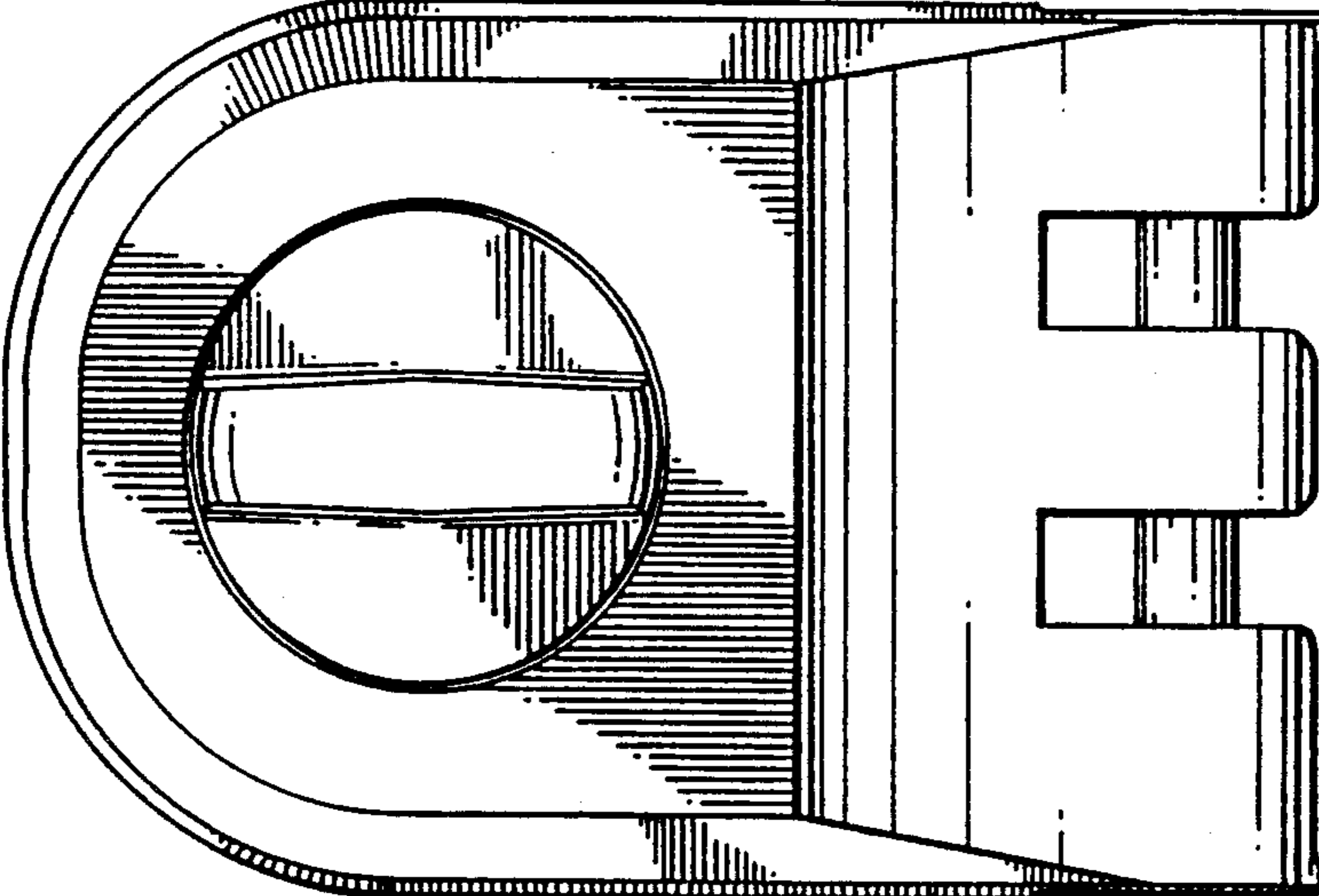


FIG. 3

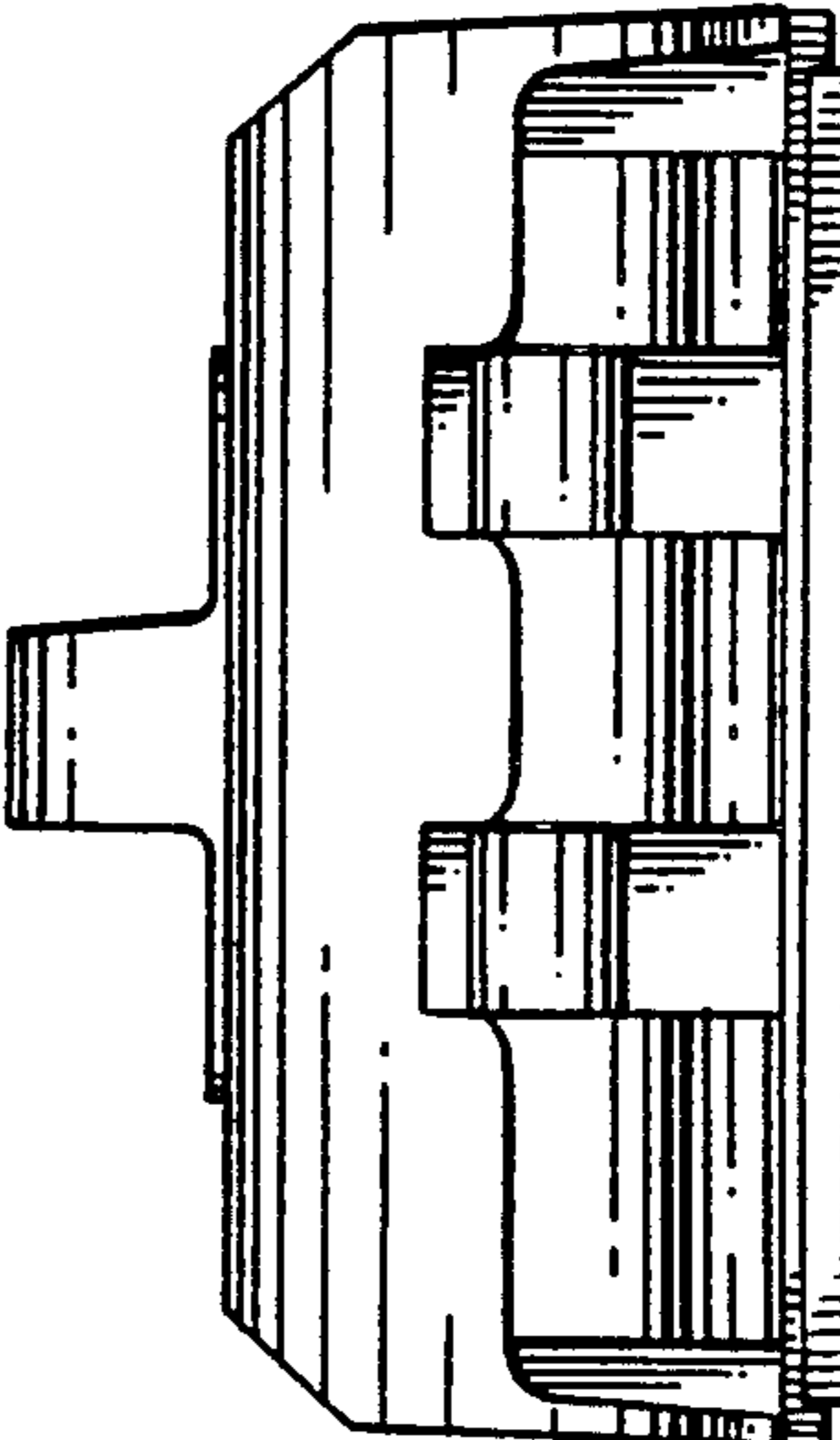


FIG. 4

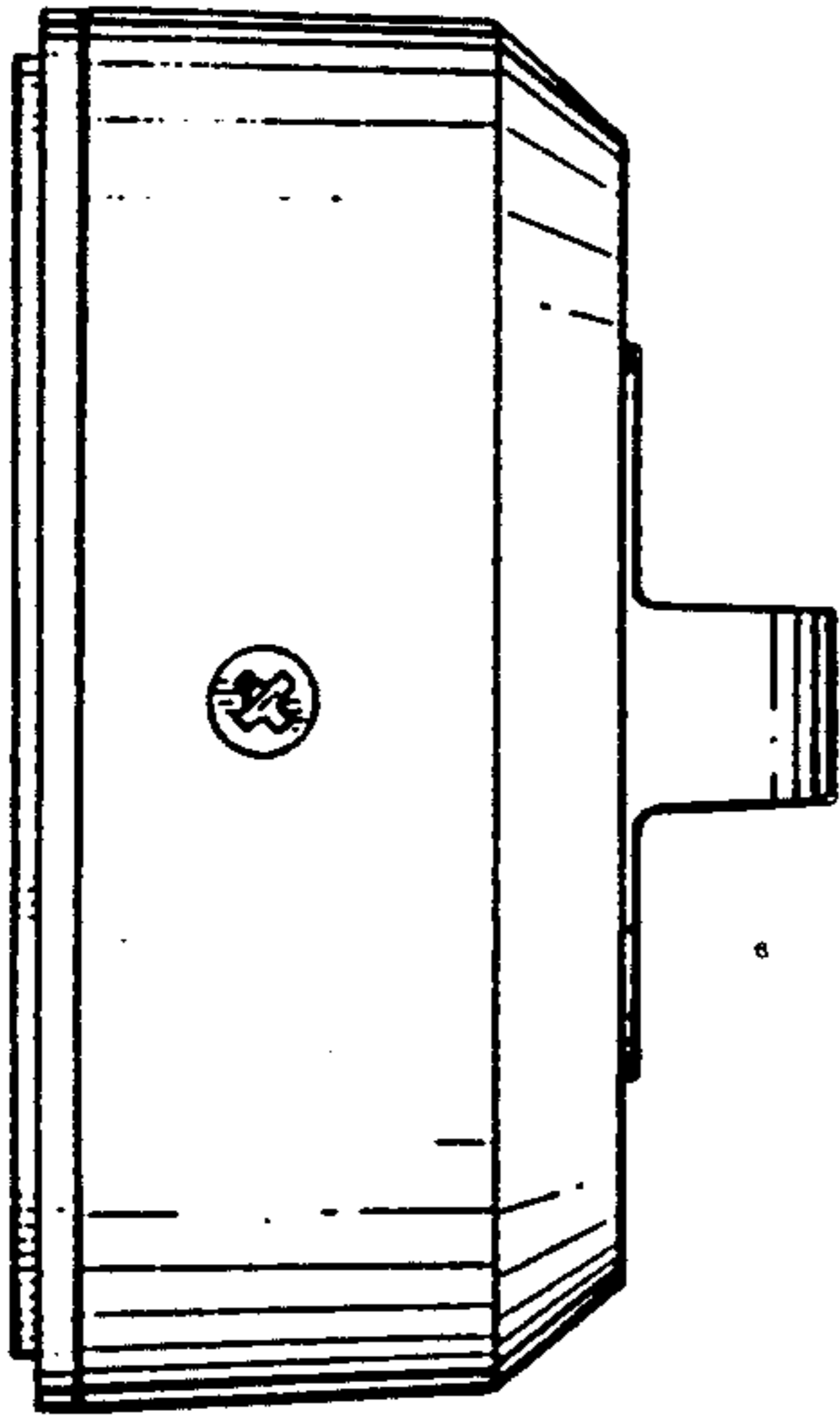


FIG. 5

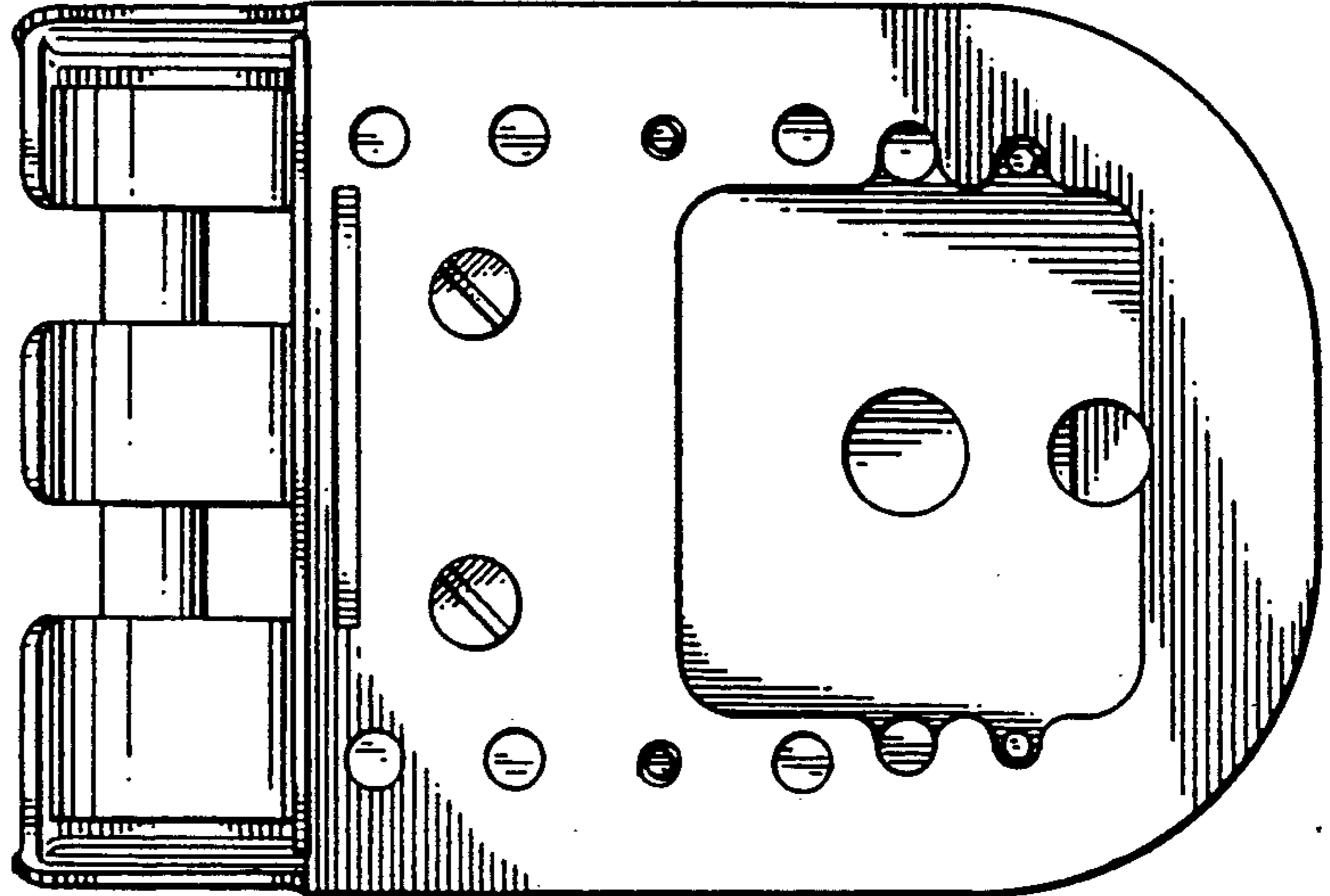


FIG. 6

