



US00D324479S

United States Patent [19]

[11] Patent Number: **Des. 324,479**

Tinz

[45] Date of Patent: **** Mar. 10, 1992**

[54] **CONTROL KNOB**

[75] Inventor: **Bernhard Tinz**, Stuttgart, Fed. Rep. of Germany

[73] Assignee: **Heinrich Kipp Werk**

[**] Term: **14 Years**

[21] Appl. No.: **368,211**

[22] Filed: **Jun. 19, 1989**

[30] **Foreign Application Priority Data**

Dec. 22, 1988 [DE] Fed. Rep. of Germany M8804187.5

[52] U.S. Cl. **D8/310; D8/312**

[58] Field of Search **D8/300, 310, 312; 16/110 R, 118, 121; 74/553**

[56] **References Cited**

U.S. PATENT DOCUMENTS

2,171,361	8/1939	Gits et al.	16/121
2,512,440	6/1950	Book	16/121
2,513,271	7/1950	Bluemink et al.	16/121
2,688,678	9/1954	Henderson	16/121

Primary Examiner—B. J. Bullock

[57] **CLAIM**

The ornamental design for a control knob, as shown and described.

DESCRIPTION

FIG. 1 is a perspective view of a control knob showing my new design;

FIG. 2 is a right side view, the left side being a mirror image thereof;

FIG. 3 is a top view, the bottom being a mirror image thereof;

FIG. 4 is a front view;

FIG. 5 is a rear view;

FIG. 6 is a perspective view of a second embodiment of the design of FIG. 1;

FIG. 7 is a right side view of FIG. 6, the left side being a mirror image thereof;

FIG. 8 is a top plan view of FIG. 6; the bottom being a mirror image thereof;

FIG. 9 is a front view of FIG. 6; and

FIG. 10 is a rear view of FIG. 6.

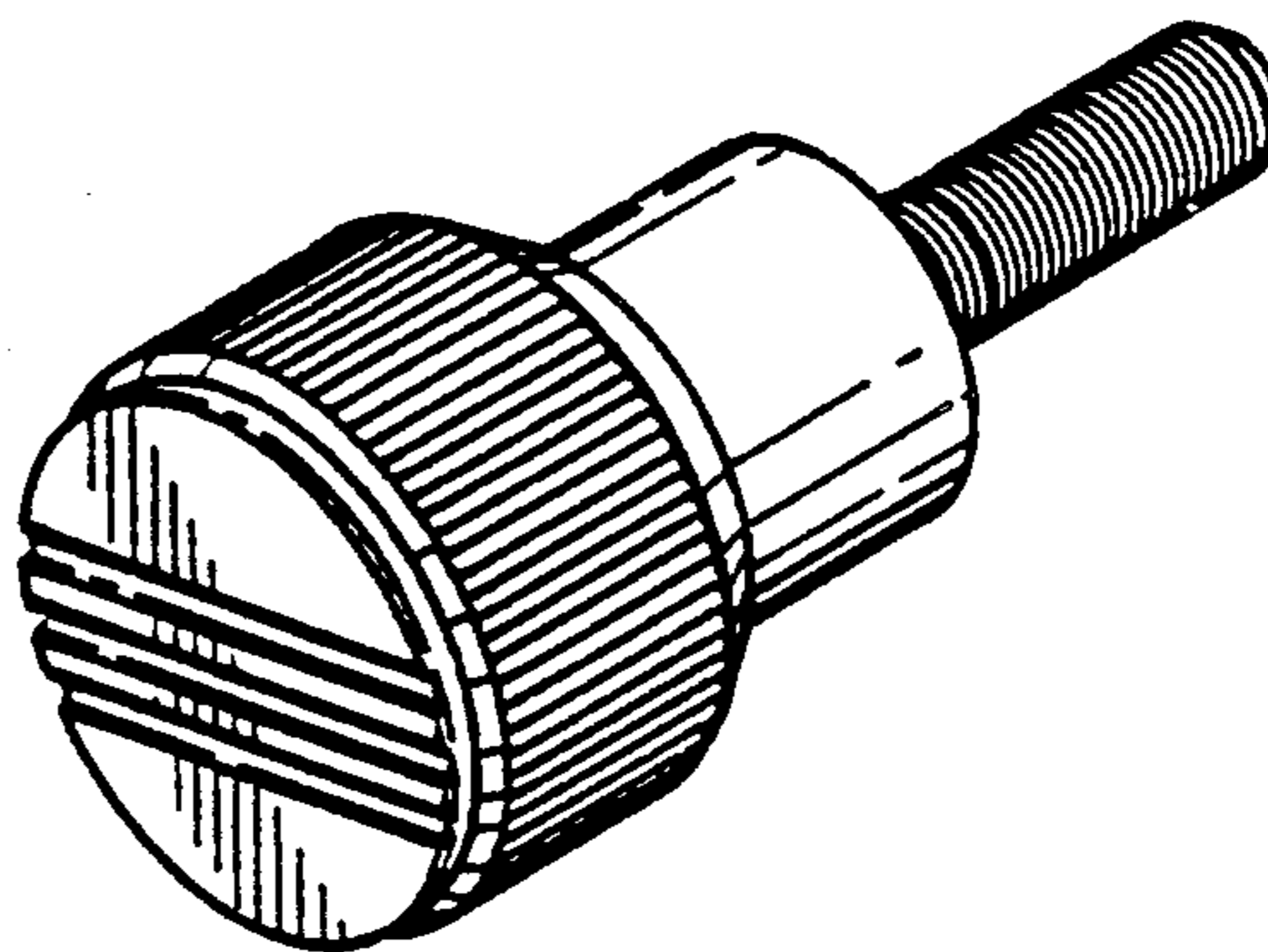
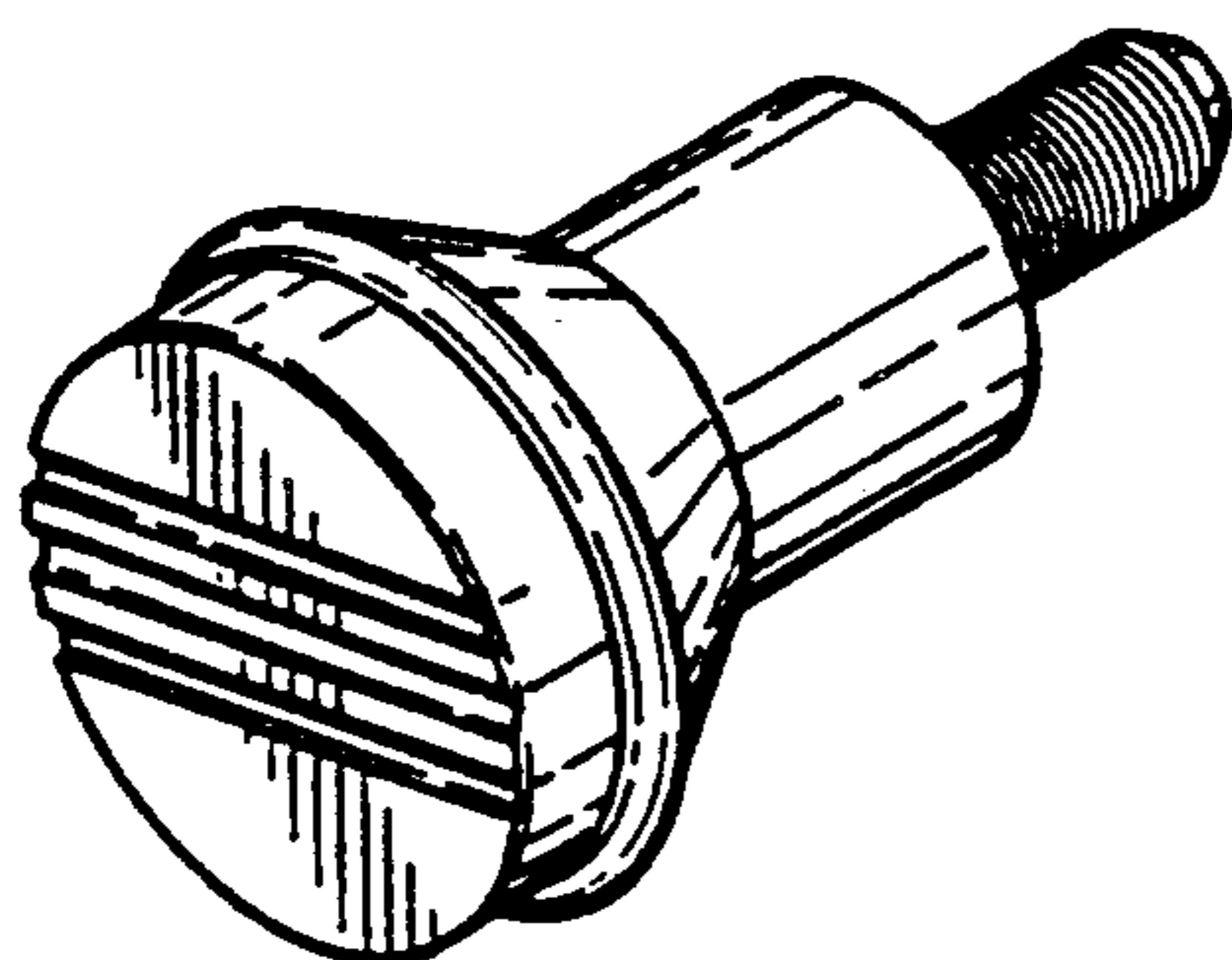


FIG. 1

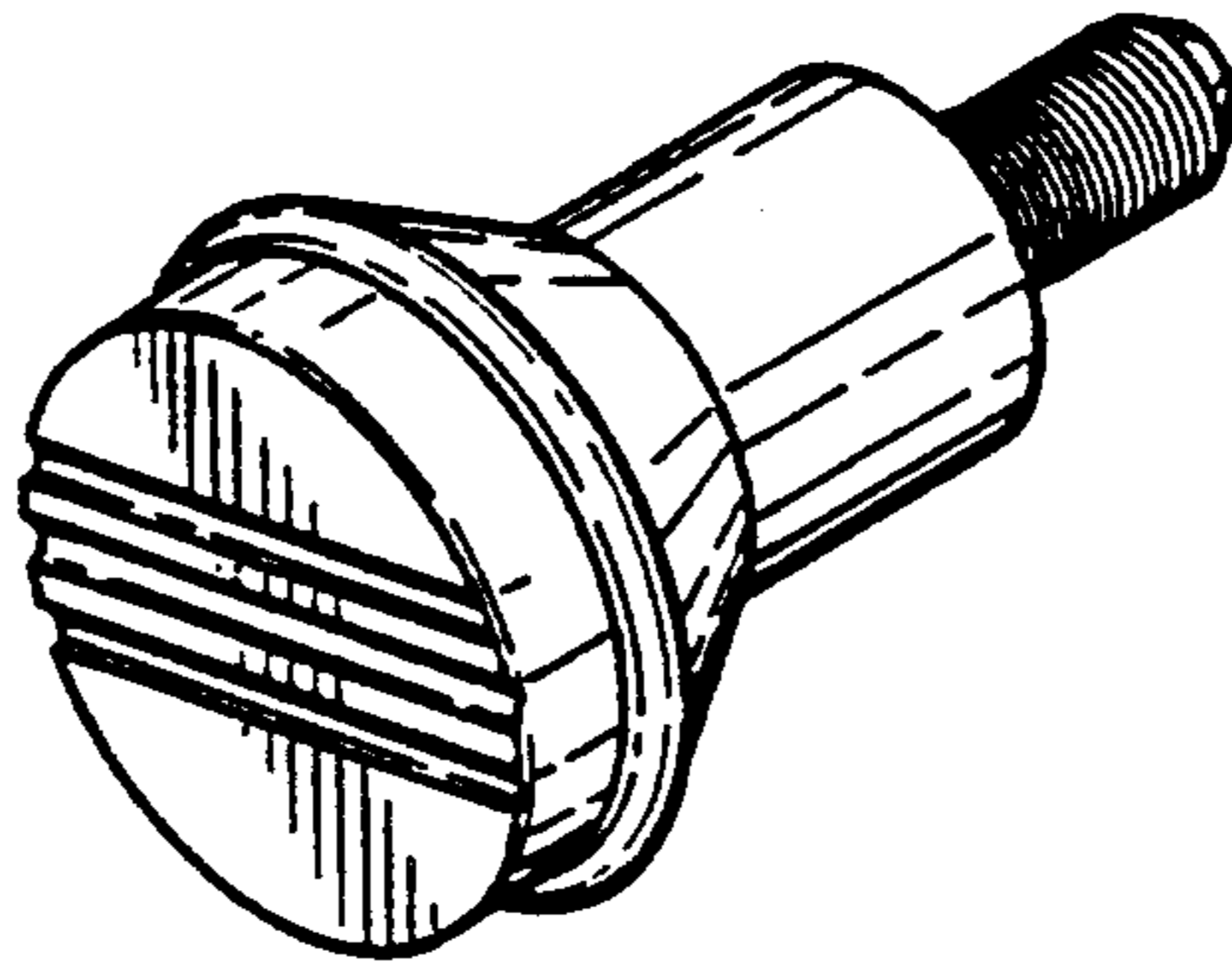


FIG. 4

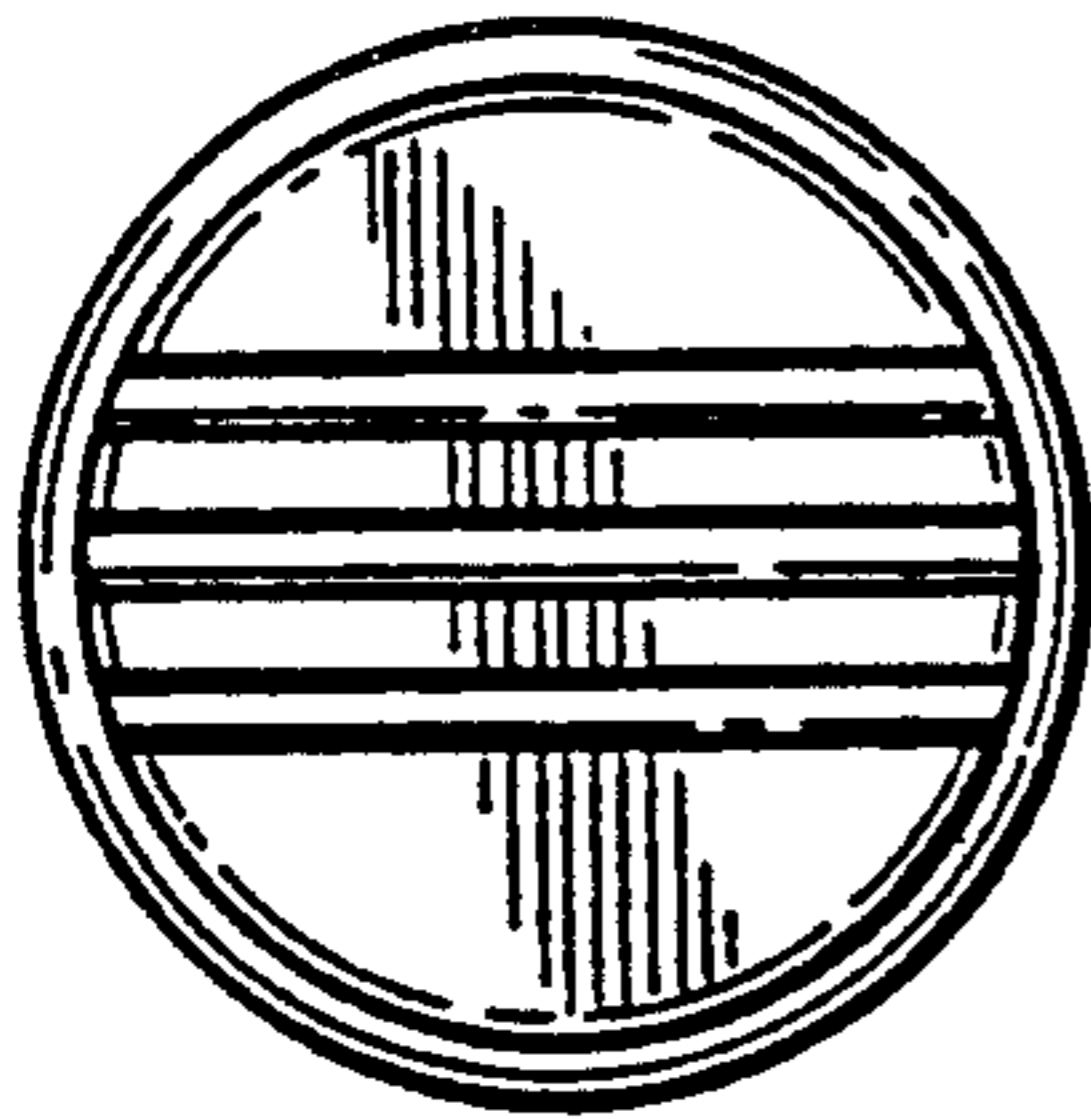


FIG. 2

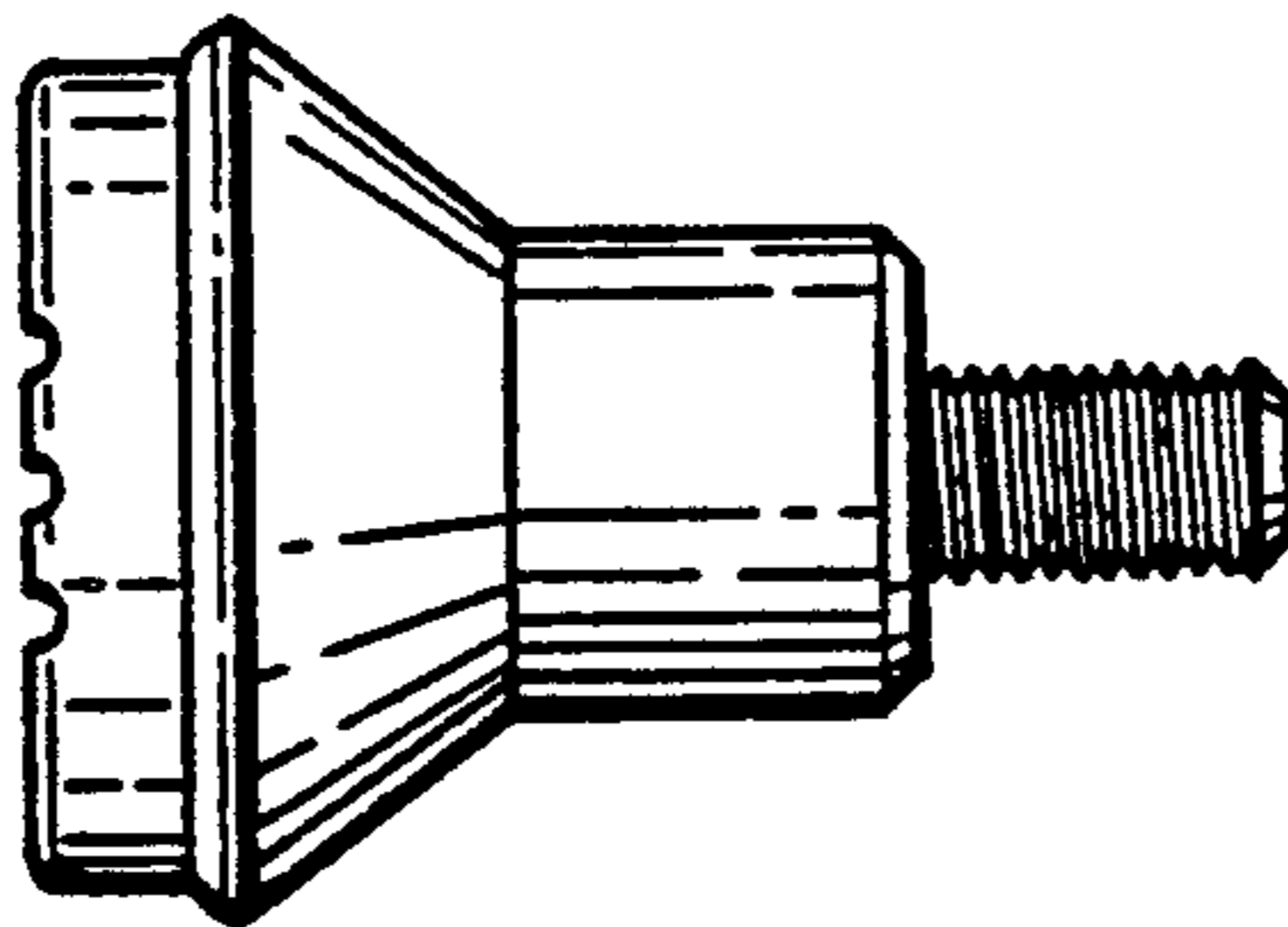


FIG. 5

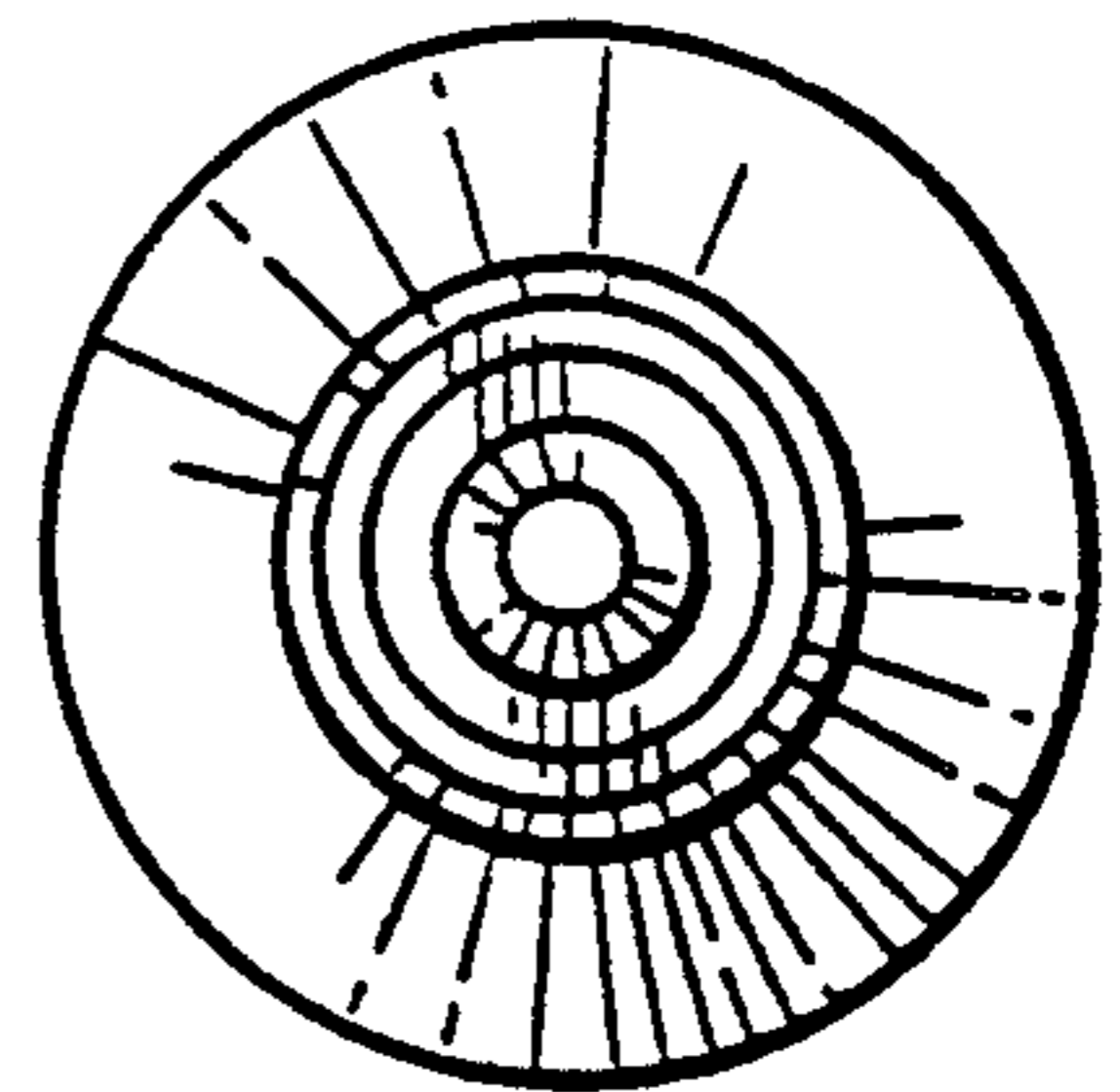


FIG. 3

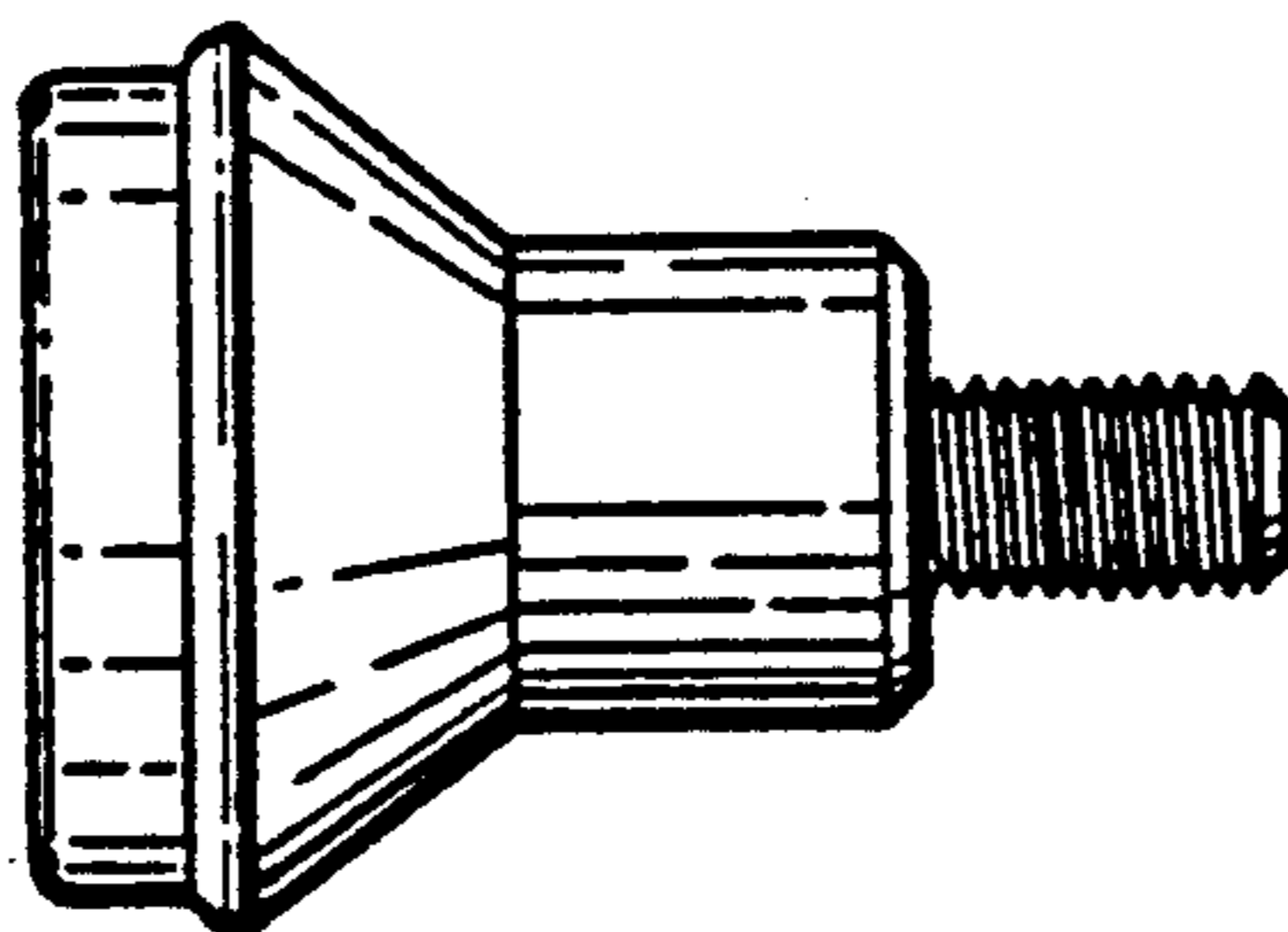


FIG.6

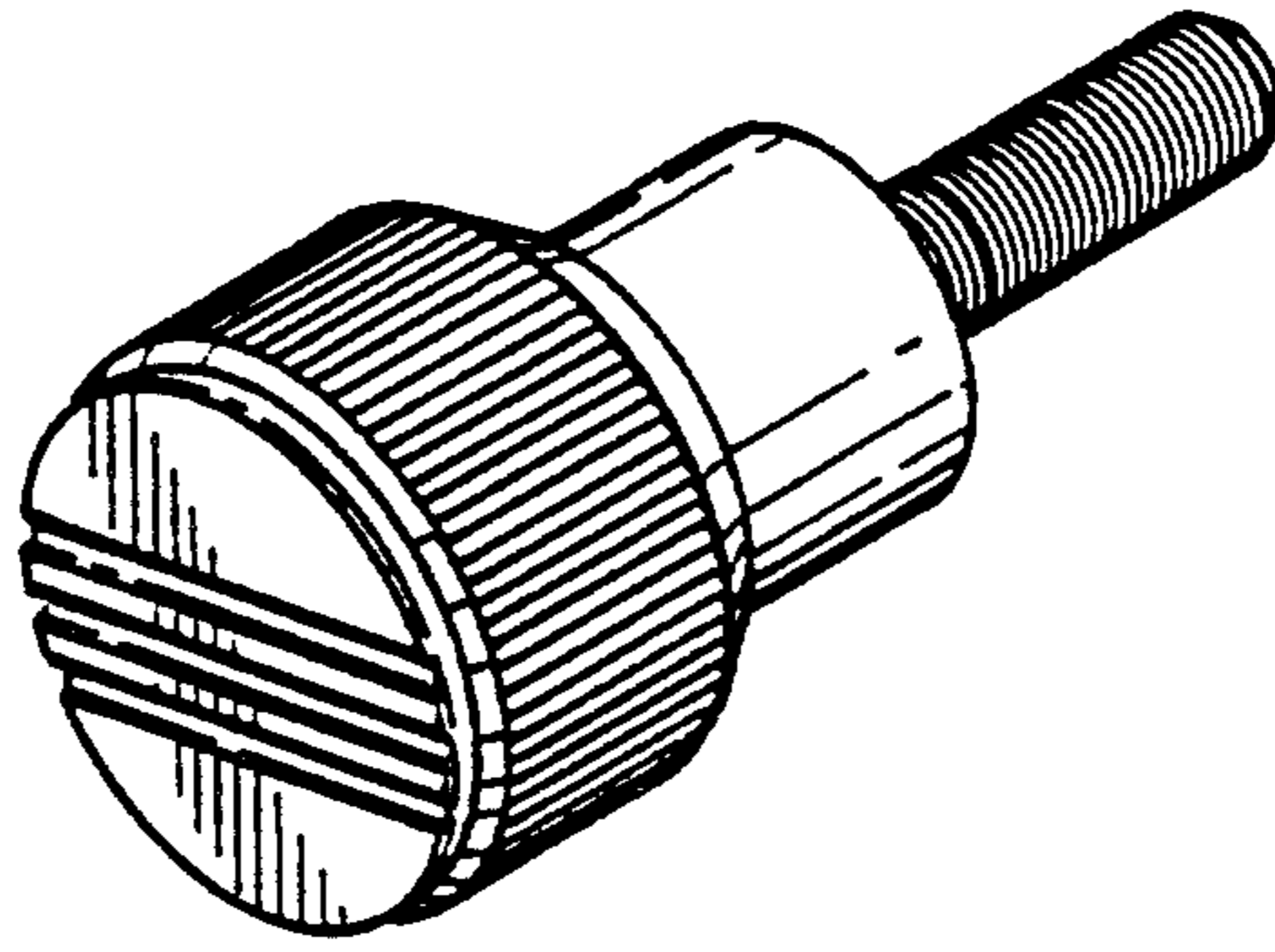


FIG.9

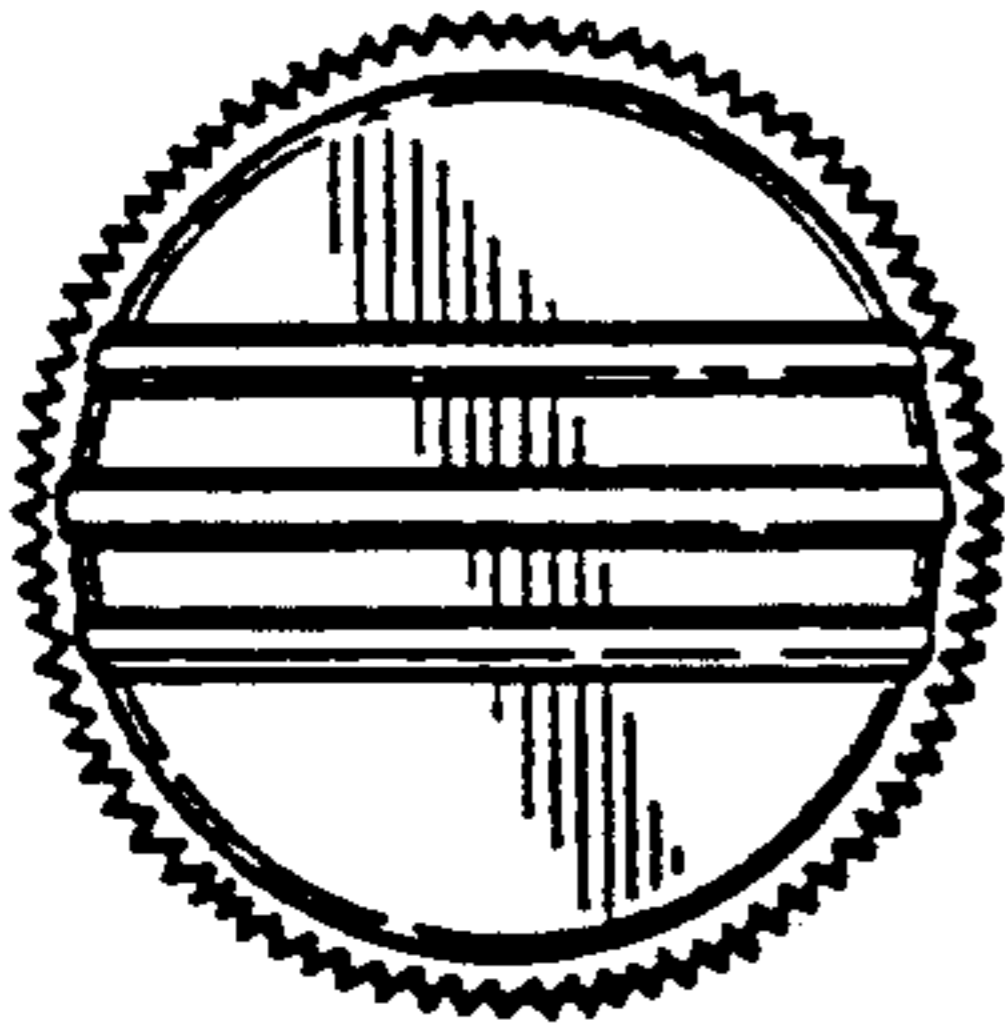


FIG.7

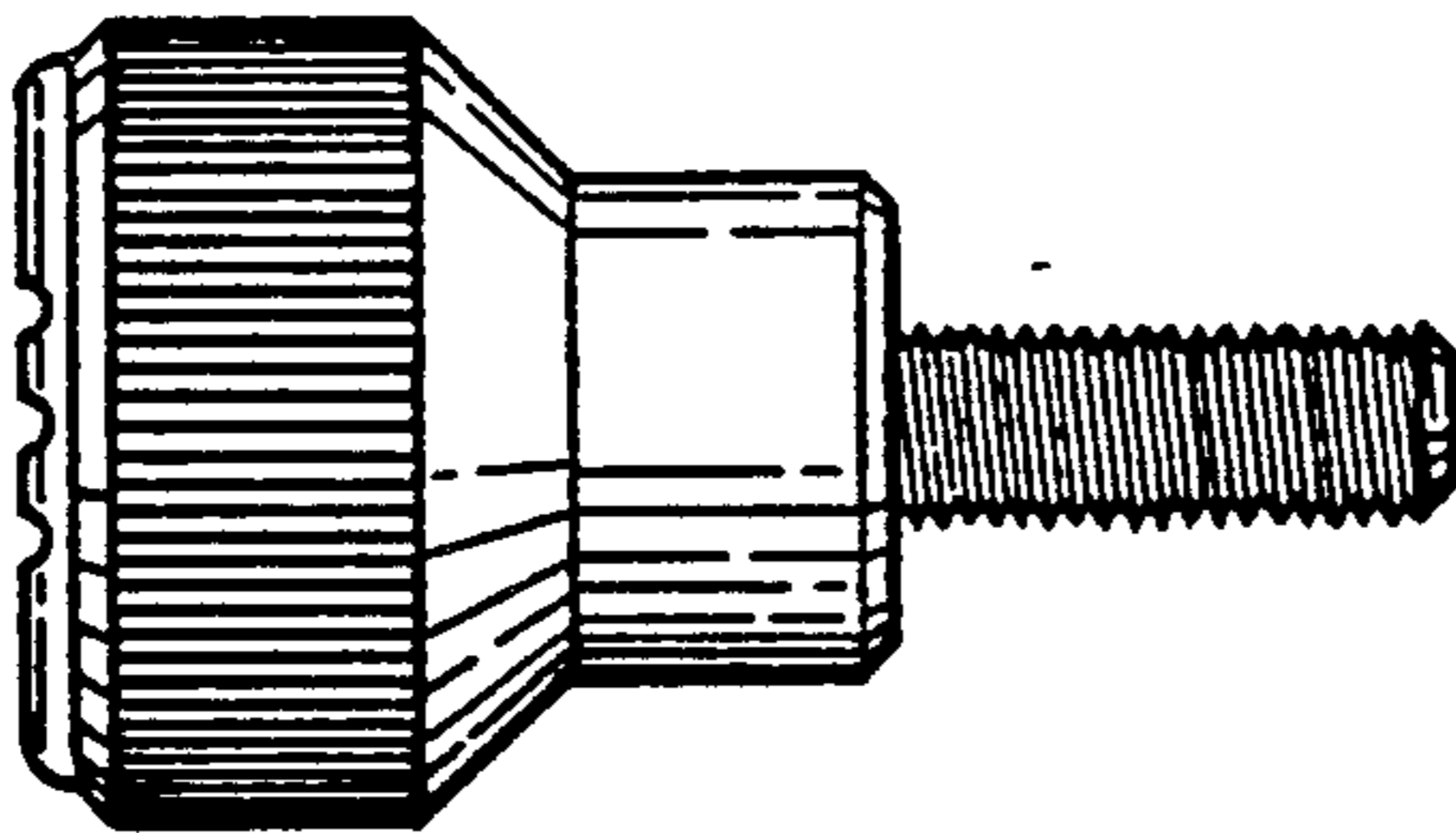


FIG.10

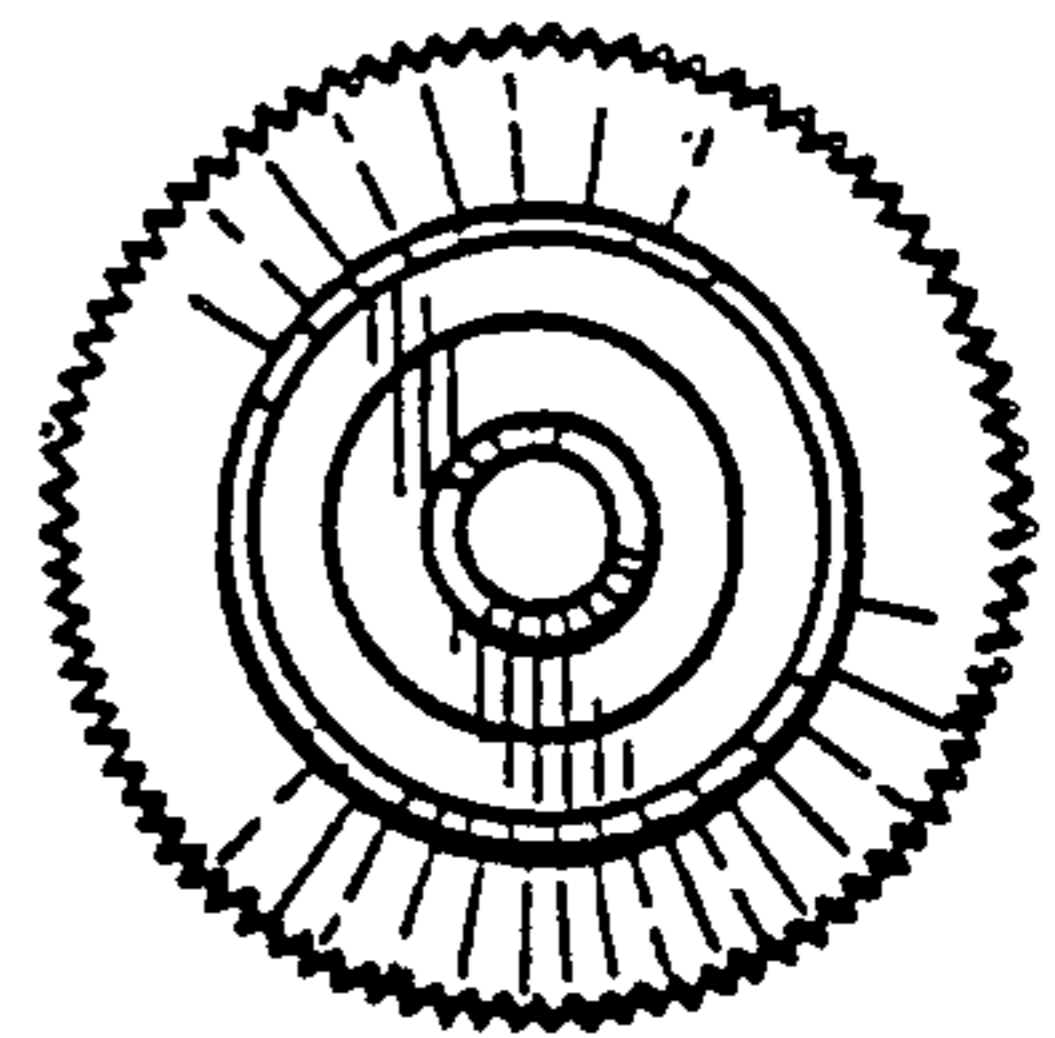
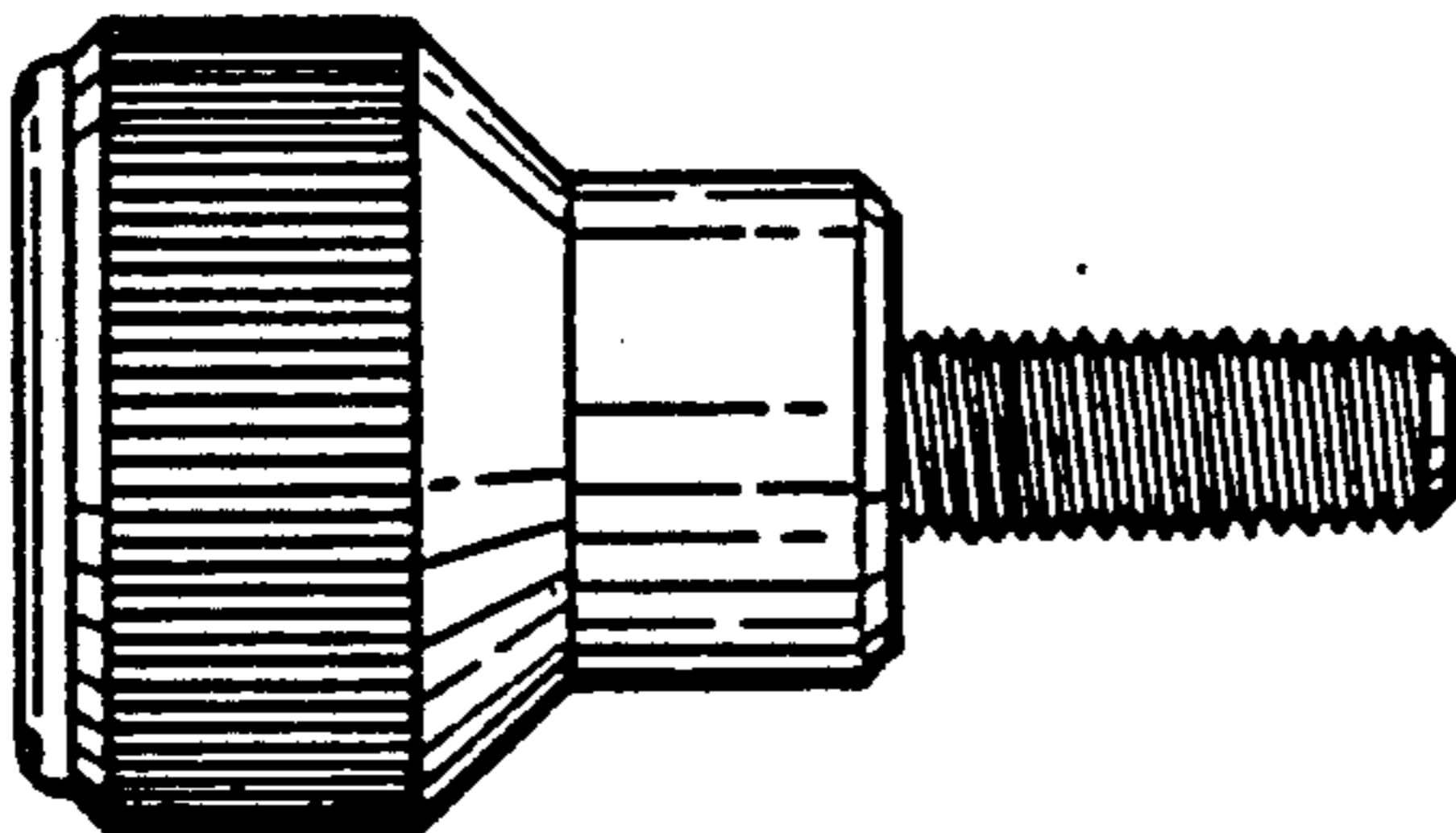


FIG.8



UNITED STATES PATENT AND TRADEMARK OFFICE
CERTIFICATE OF CORRECTION

PATENT NO. : Des.324,479
DATED : March 10,1992
INVENTOR(S) : Bernhard Tinz

It is certified that error appears in the above-identified patent and that said Letters Patent is hereby corrected as shown below:

On the title page, item (73) Assignee, should read--
Heinrich Kipp Werk, Fed. Rep. of Germany--.

Signed and Sealed this
Seventh Day of September, 1993



Attest:

BRUCE LEHMAN

Attesting Officer

Commissioner of Patents and Trademarks