



US00D324477S

United States Patent [19]

Fleming et al.

[11] Patent Number: Des. 324,477

[45] Date of Patent: ** Mar. 10, 1992

[54] DOOR HANDLE UNIT

[75] Inventors: Paul D. Fleming, Glendale; Nandor Gajer, Woodland Hills, both of Calif.

[73] Assignee: W&F Manufacturing, Inc., Glendale, Calif.

[**] Term: 14 Years

[21] Appl. No.: 724,364

[22] Filed: Jul. 1, 1991

OTHER PUBLICATIONS

Assa 1986 Cat. ©1986; p. 13; lever and escutcheon 4291 (center).

Sager Cat. No. 37; ©1937; p. 31A; escutcheon Sheldon S D (3rd row; third from right).

Primary Examiner—B. J. Bullock

Attorney, Agent, or Firm—Kelly Bauersfeld & Lowry

[57] CLAIM

The ornamental design for a door handle unit, as shown and described.

DESCRIPTION

FIG. 1 is a left side elevational view of a door handle unit embodying our new design, the outline depiction of a door being for illustrative purposes only;

FIG. 2 is an inside front elevational view thereof;

FIG. 3 is a right side elevational view thereof, the outline depiction of a door being for illustrative purposes only;

FIG. 4 is an outside front elevational view thereof;

FIG. 5 is a top plan view thereof, the outline depiction of a door being for illustrative purposes only;

FIG. 6 is a bottom plan view thereof, the outline depiction of a door being for illustrative purposes only; and

FIG. 7 is an inside rear elevational view taken in the direction of the arrows on line 7—7 of FIG. 1, the outside rear elevational view being a mirror image thereof.

Related U.S. Application Data

[62] Division of Ser. No. 332,096, Apr. 3, 1989, Pat. No. Des. 319,769.

[52] U.S. Cl. D8/301; D8/308; D8/350

[58] Field of Search D8/300, 301, 302, 307, D8/308, 350; 16/110 R, 111 R; 74/519, 523; 70/91, 95, 100, DIG. 31; 292/347, 357

[56] References Cited

U.S. PATENT DOCUMENTS

- D. 295,829 5/1988 Ortega et al. .
- D. 297,805 9/1988 Ortega et al. .
- 4,671,089 6/1987 Fleming et al. .

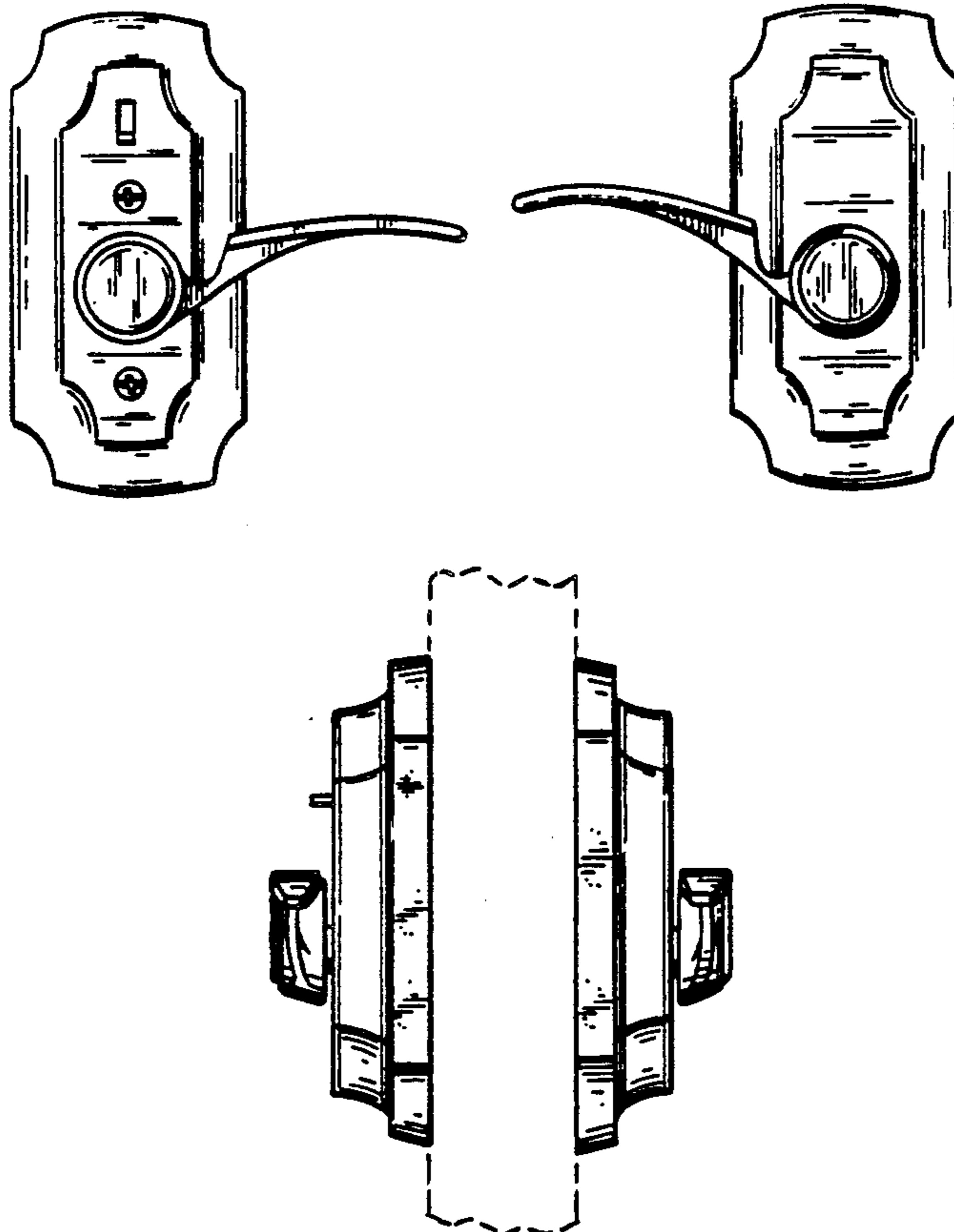


FIG. 1

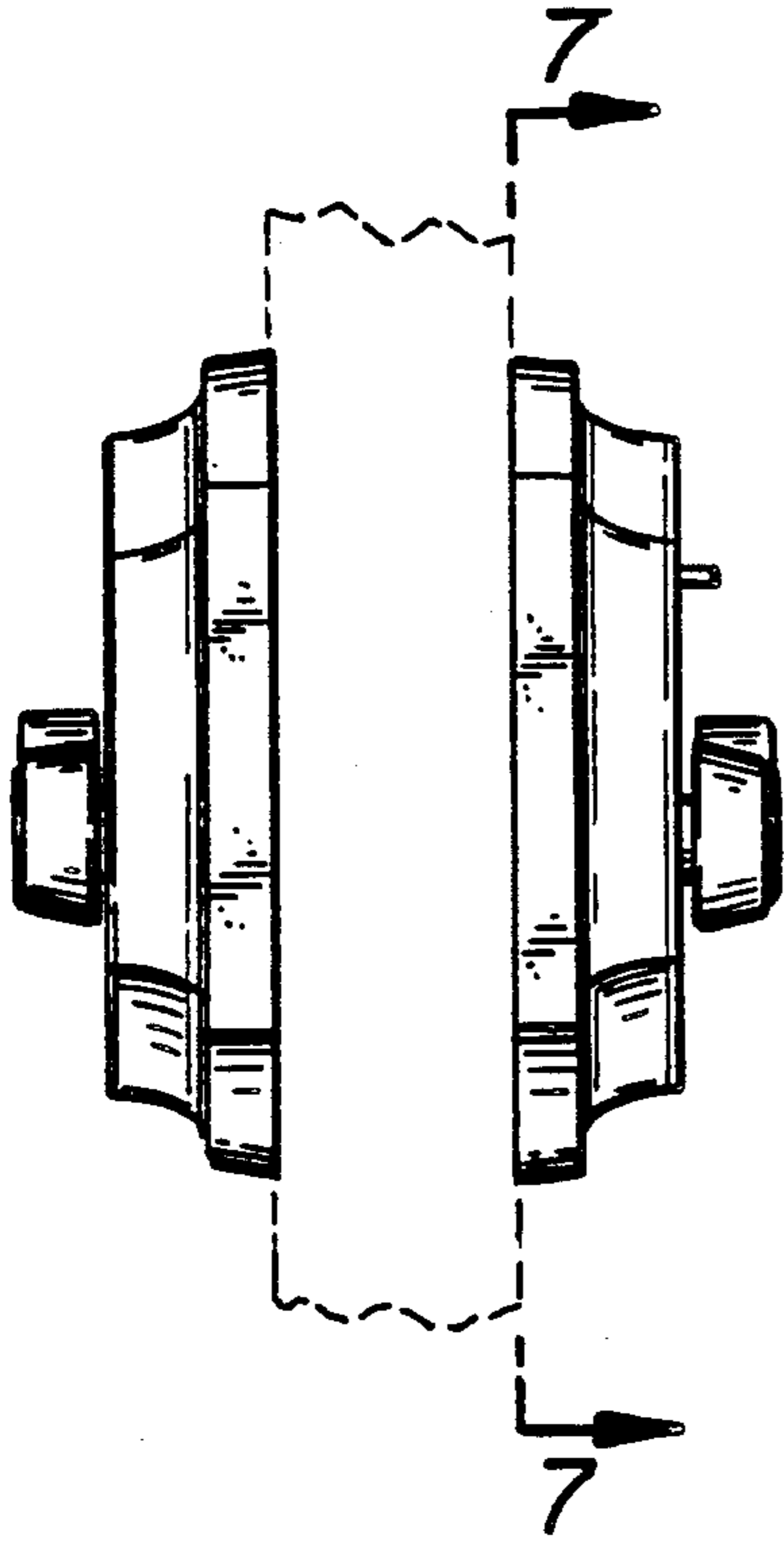


FIG. 2

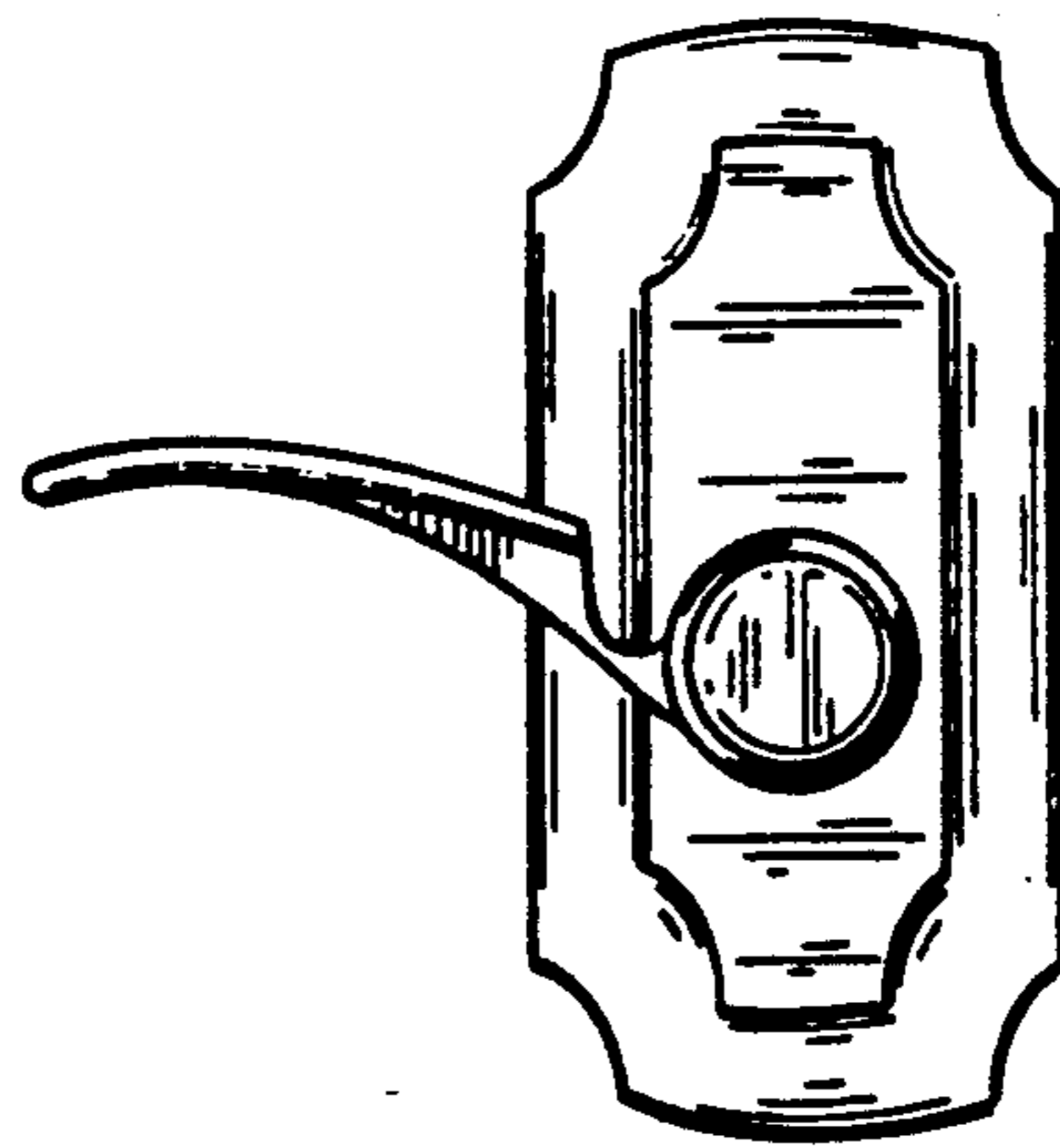
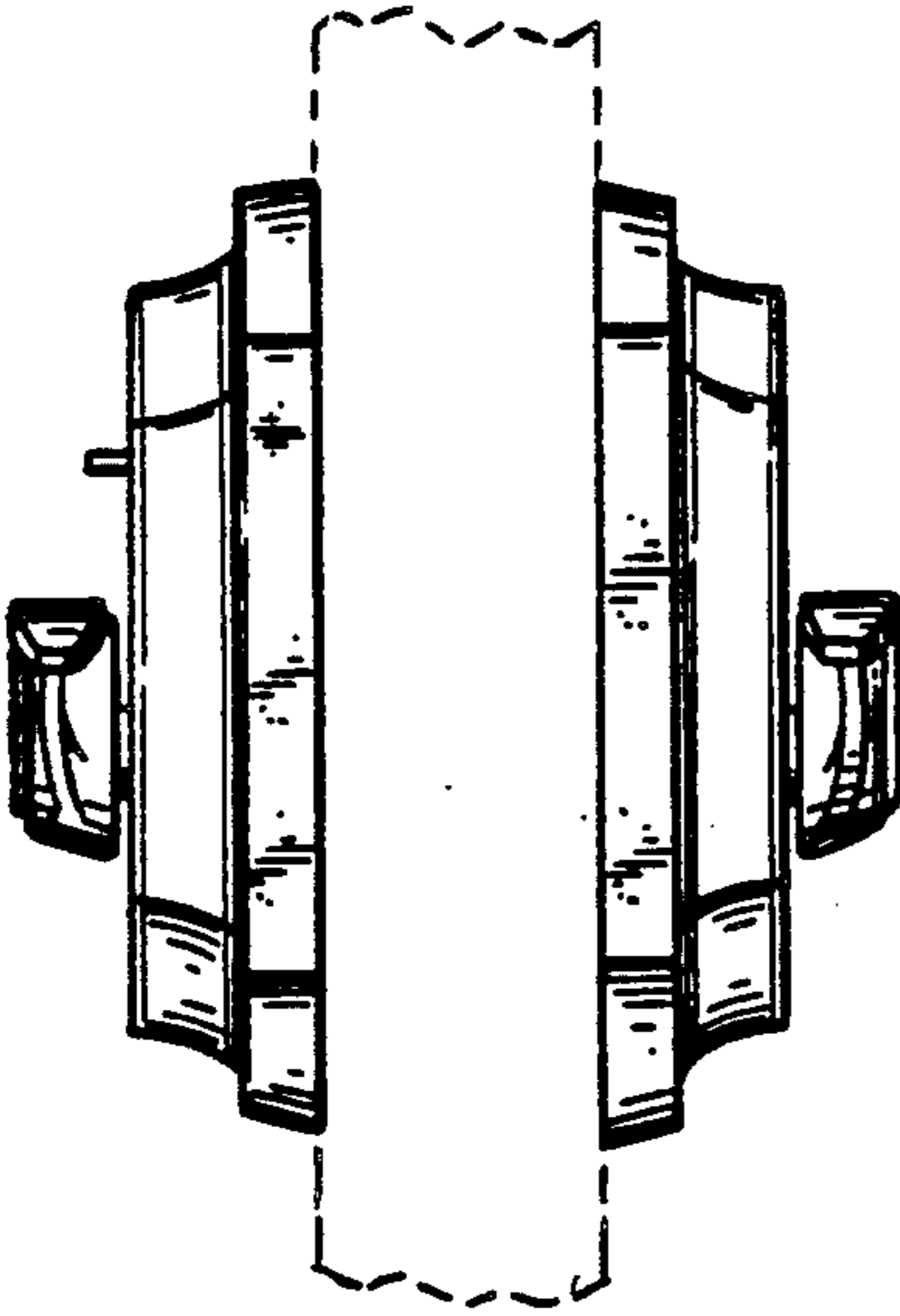
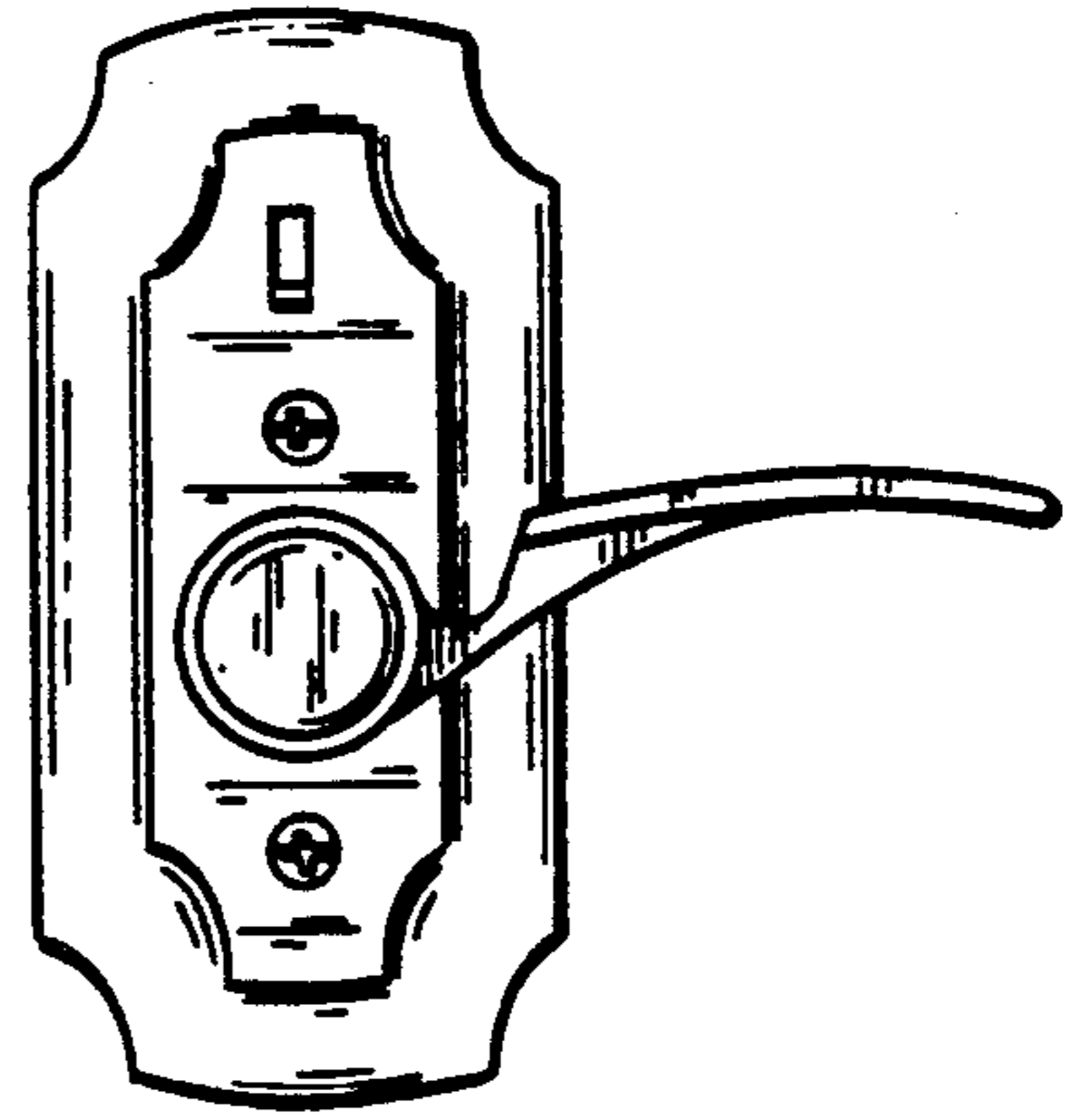


FIG. 3

FIG. 4

FIG. 5

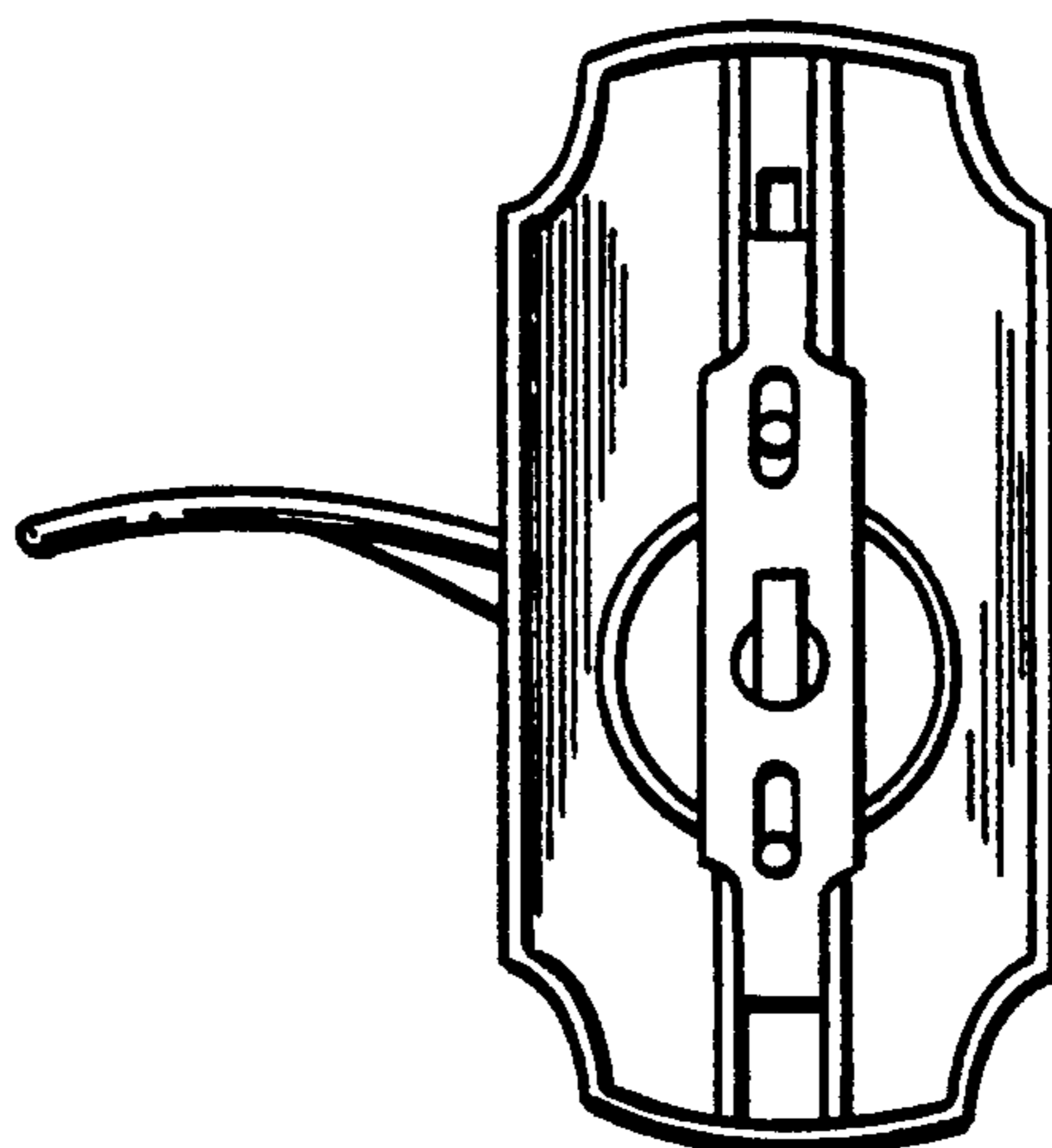
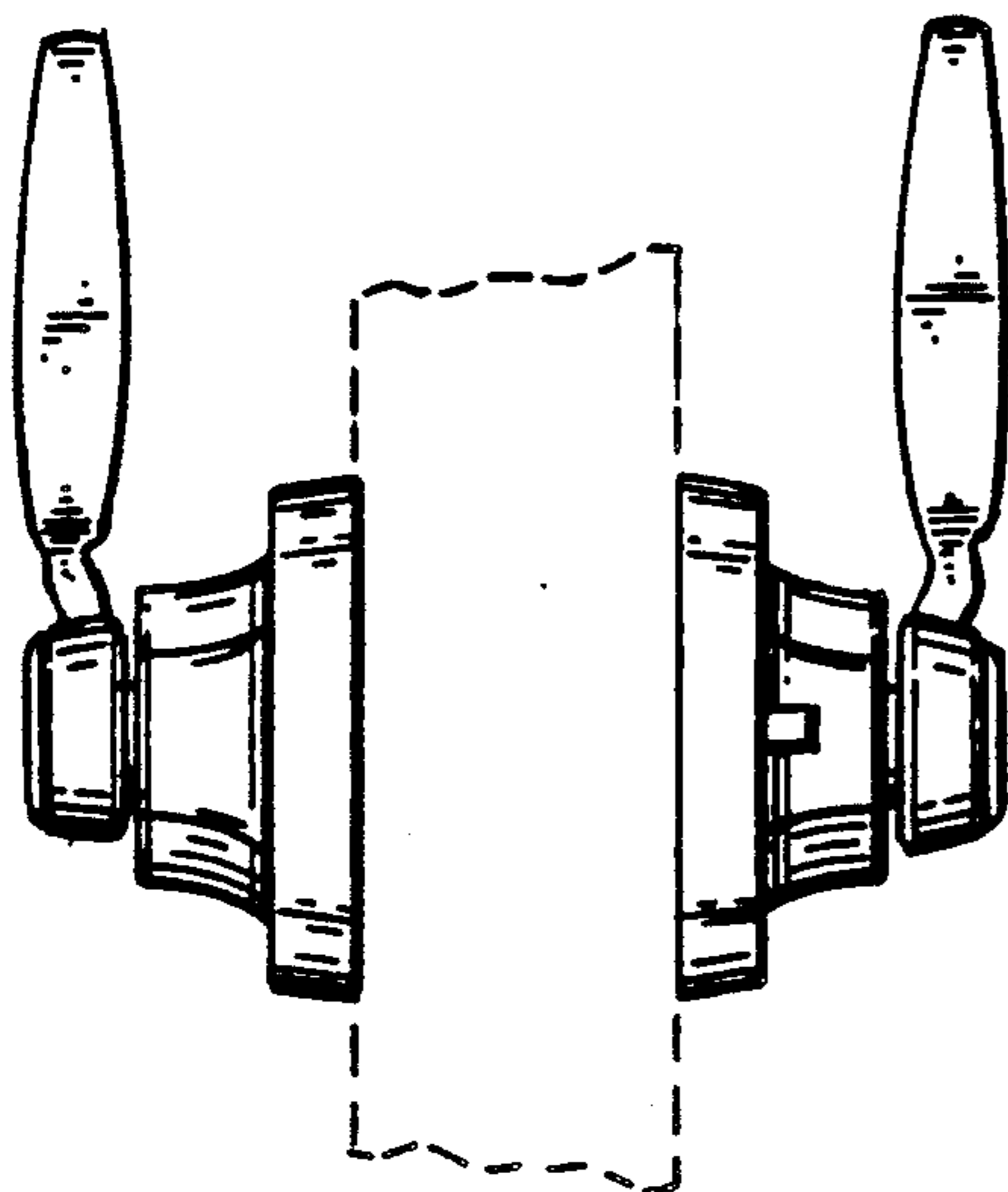


FIG. 7

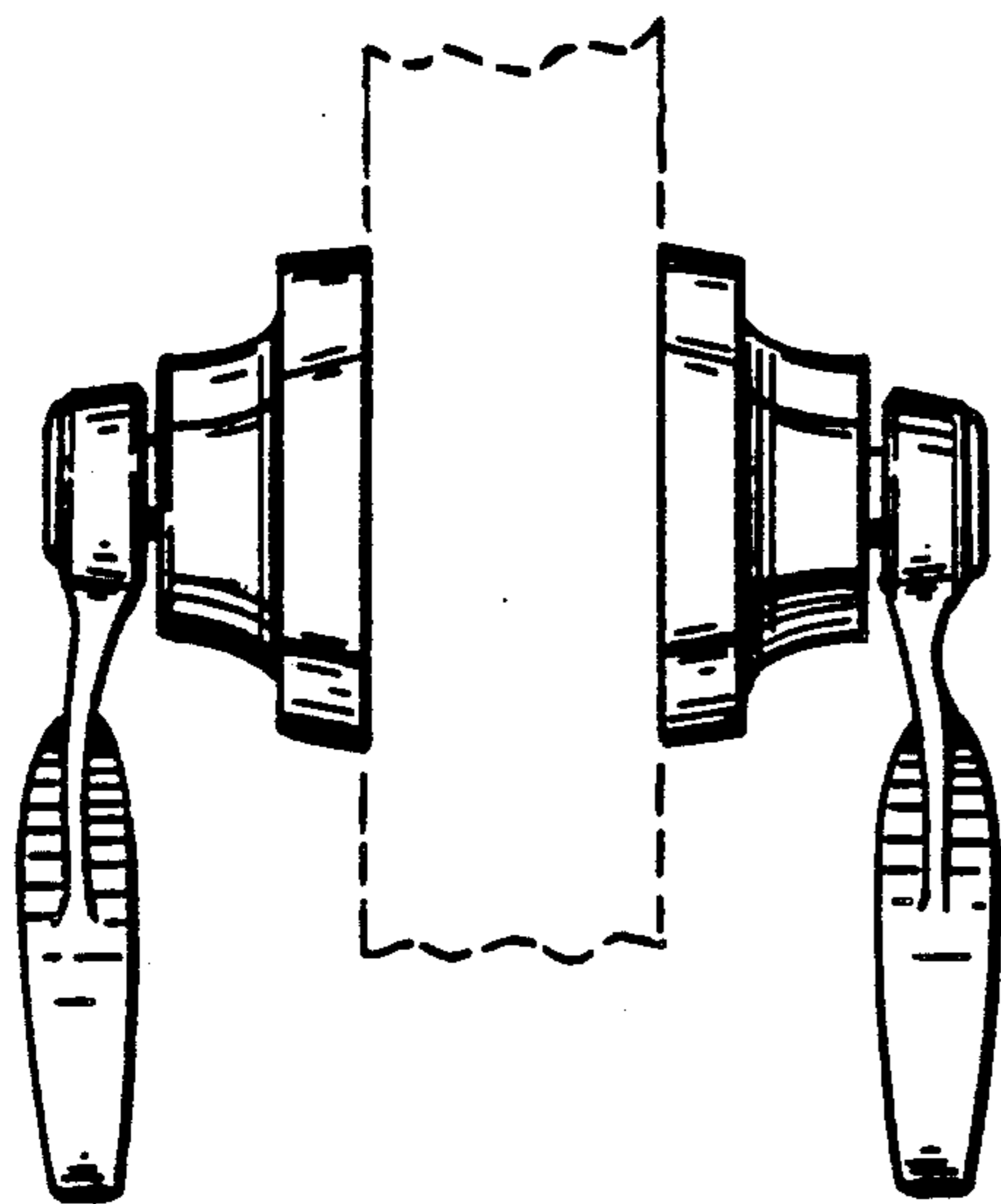


FIG. 6