



US00D324476S

United States Patent [19]
King, III

[11] **Patent Number: Des. 324,476**
[45] **Date of Patent: ** Mar. 10, 1992**

[54] **GRIP FOR A HAMMER TACKER**
[75] **Inventor: John B. King, III, Reading, Pa.**
[73] **Assignee: Black & Decker Inc., Newark, Del.**
[**] **Term: 14 Years**
[21] **Appl. No.: 322,817**
[22] **Filed: Mar. 10, 1989**
[52] **U.S. Cl. D8/107**
[58] **Field of Search D8/49, 80, 107;**
227/120, 132

OTHER PUBLICATIONS

Arrow Catalog pages; Catalog Nos. HT-65 and HT-50A (date unknown).

Primary Examiner—Bernard Ansher
Assistant Examiner—Philip Hyder
Attorney, Agent, or Firm—Charles E. Yocum; Dennis A. Dearing; J. D. Del Ponti

CLAIM

The ornamental design for a grip for a hammer tacker, as shown and described.

DESCRIPTION

FIG. 1 is a right side elevational view of a grip for a hammer tacker showing my new design;
FIG. 2 is a left side elevational view thereof;
FIG. 3 is a top plan view thereof;
FIG. 4 is a bottom plan view thereof;
FIG. 5 is a rear elevational view thereof; and
FIG. 6 is a front elevational view thereof.
The broken line portions of the drawing are for illustrative purposes only and form no part of the claimed design.

- [56] **References Cited**
- U.S. PATENT DOCUMENTS**
- | | | | | |
|------------|---------|---------------------|-------|---------|
| D. 144,673 | 5/1946 | Barclay | | D8/49 |
| D. 148,032 | 12/1947 | Lindstrom | | D8/49 |
| D. 166,944 | 6/1952 | Beckman et al. | | D8/49 |
| D. 168,517 | 12/1952 | Marano | | D8/49 |
| D. 272,983 | 3/1984 | Biddle | | D8/51 |
| 2,667,639 | 2/1954 | Schick | | 227/133 |
| 3,113,317 | 12/1963 | Carlson, Sr. et al. | | 227/133 |
- FOREIGN PATENT DOCUMENTS**
- | | | | | |
|--------|--------|----------------|-------|---------|
| 589734 | 6/1947 | United Kingdom | | 227/133 |
|--------|--------|----------------|-------|---------|

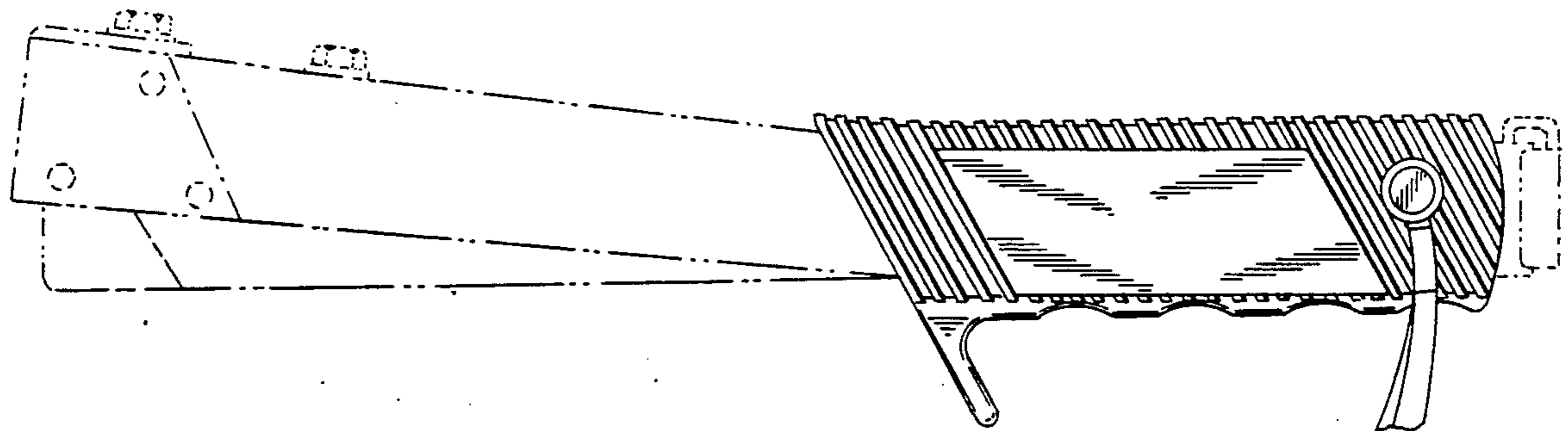


FIG. 2

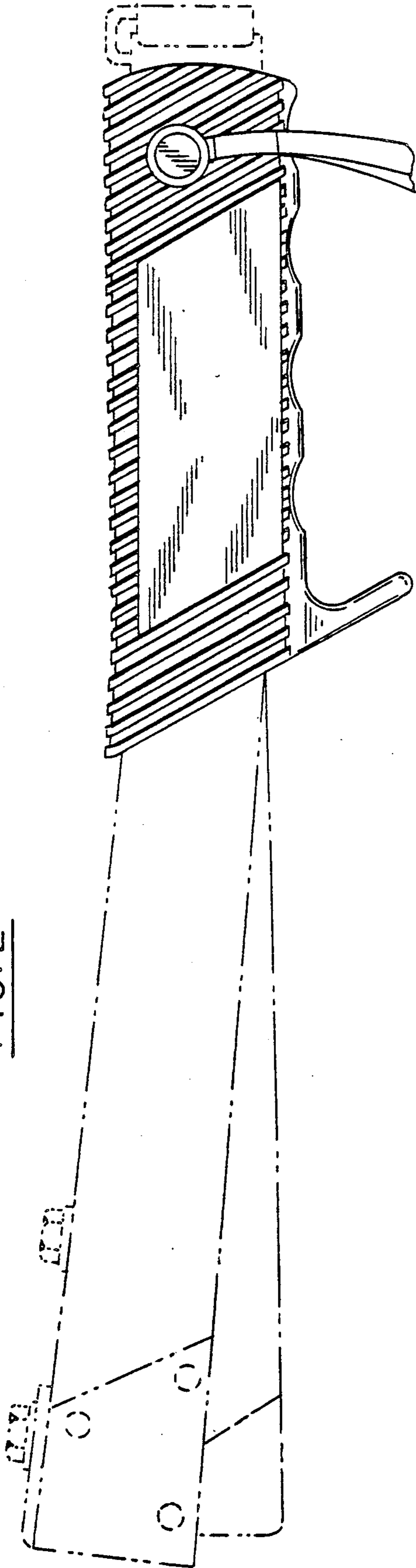


FIG. 1

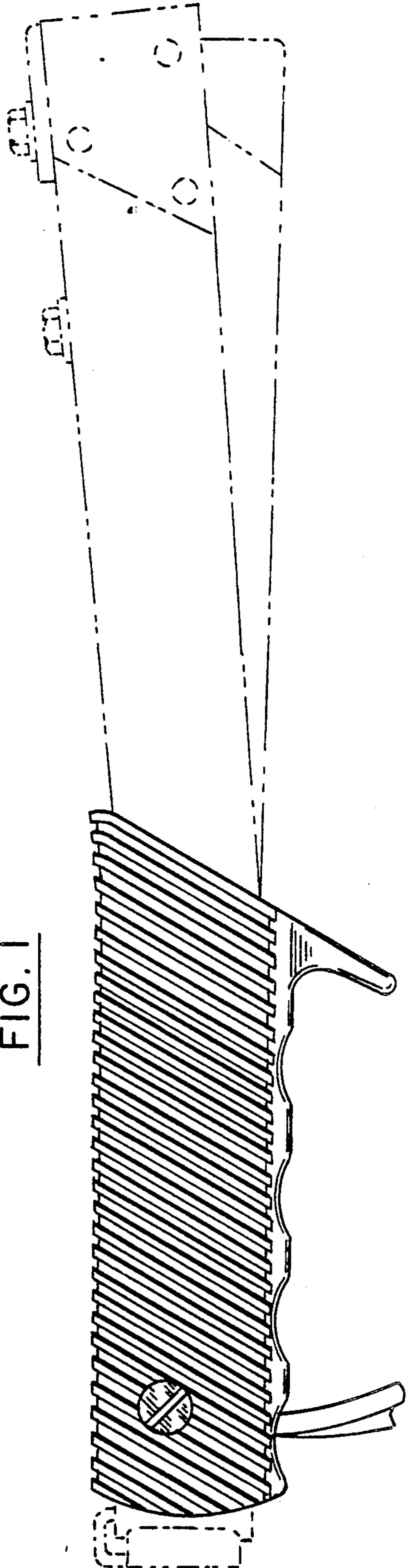


FIG. 3

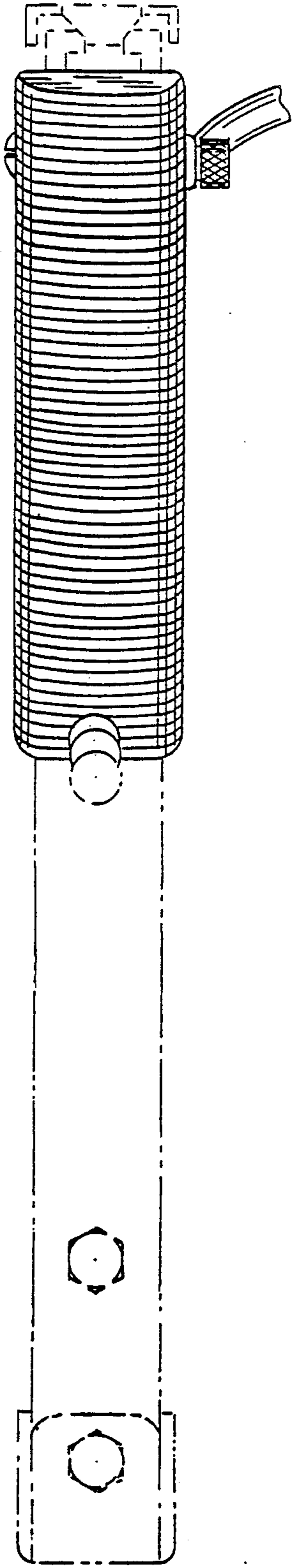


FIG. 5

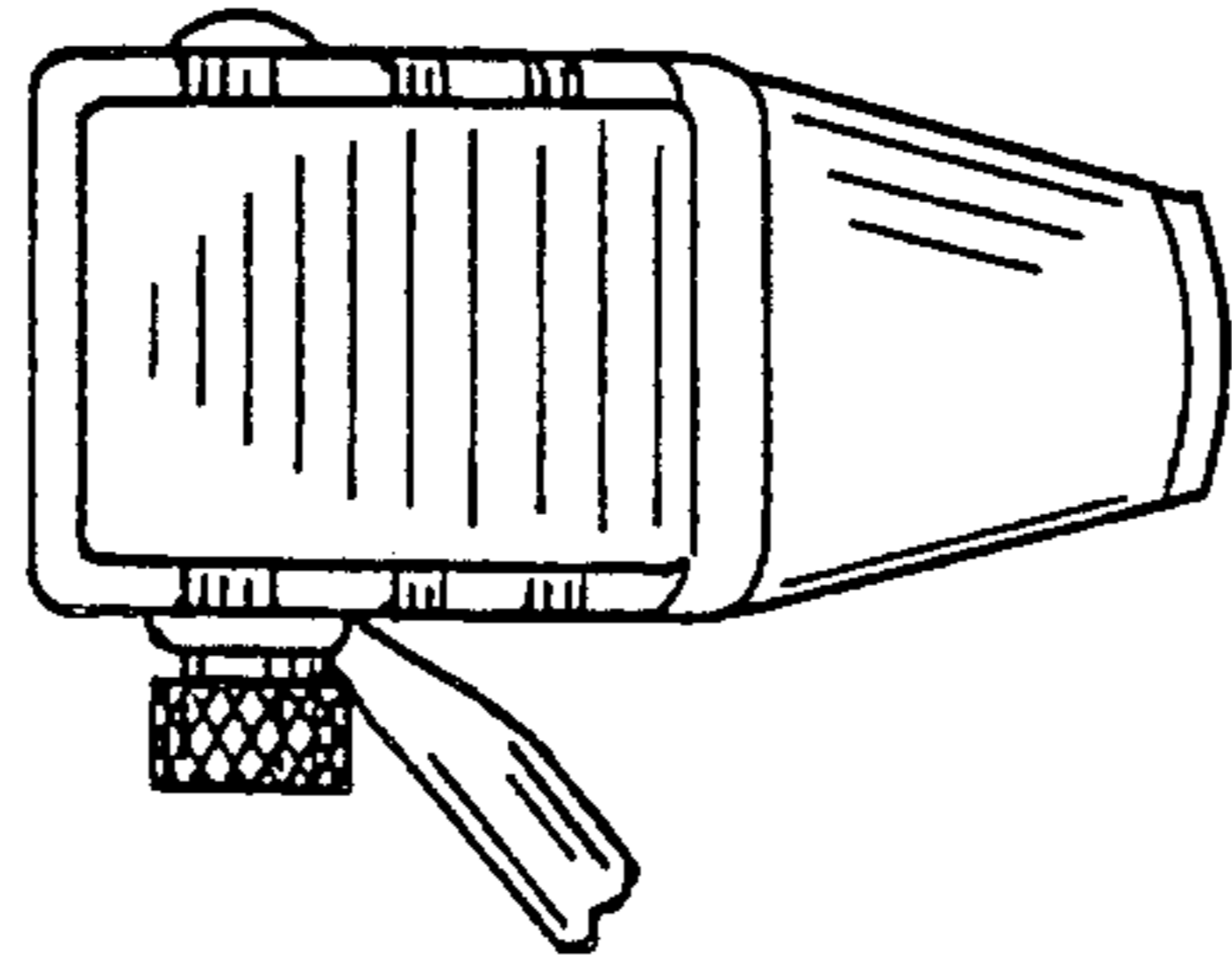


FIG. 6

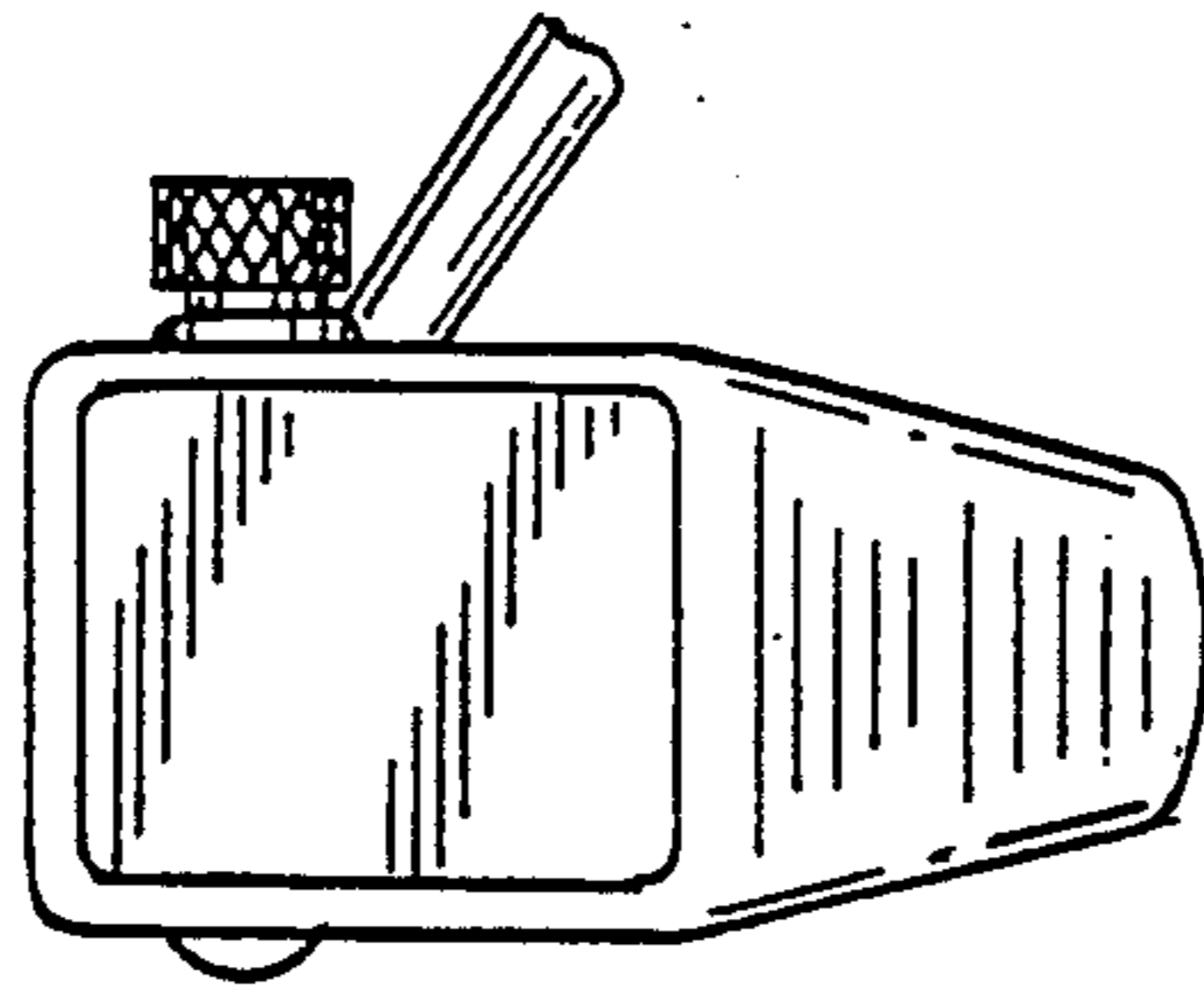


FIG. 4

