



US00D324467S

# United States Patent [19]

Todd, Jr.

[11] Patent Number: **Des. 324,467**

[45] Date of Patent: **\*\* Mar. 10, 1992**

## [54] PORTABLE ELECTRIC SKILLET

[76] Inventor: **Herman R. Todd, Jr.**, 220 Waccamaw Village, Myrtle Beach, S.C. 29577

[\*\*] Term: **14 Years**

[21] Appl. No.: **332,106**

[22] Filed: **Apr. 3, 1989**

[52] U.S. Cl. .... **D7/361**

[58] Field of Search ..... **D7/323, 354, 361, 362, D7/365, 540; 219/533; 220/94 R**

### [56] References Cited

#### U.S. PATENT DOCUMENTS

|            |         |                    |          |
|------------|---------|--------------------|----------|
| D. 181,656 | 12/1957 | Jepson et al. .... | D7/361   |
| D. 230,811 | 3/1974  | Cheyne .....       | D7/540 X |
| D. 305,396 | 1/1990  | Weller .....       | D7/608   |
| 1,304,508  | 5/1919  | Petro .....        | D7/361 X |
| 2,872,561  | 2/1959  | Humphrey .....     | 220/94 R |

## OTHER PUBLICATIONS

Retailing Home Furnishings; Jan. 16, 1978; p. 35; Port-a-Fry; bottom of page.

*Primary Examiner*—Bruce W. Dunkins

*Assistant Examiner*—Caron D. Veynar

*Attorney, Agent, or Firm*—Leon Gilden

## [57] CLAIM

The ornamental design for a portable electric skillet, as shown and described.

## DESCRIPTION

FIG. 1 is a front elevational view of a portable electric skillet showing my new design;

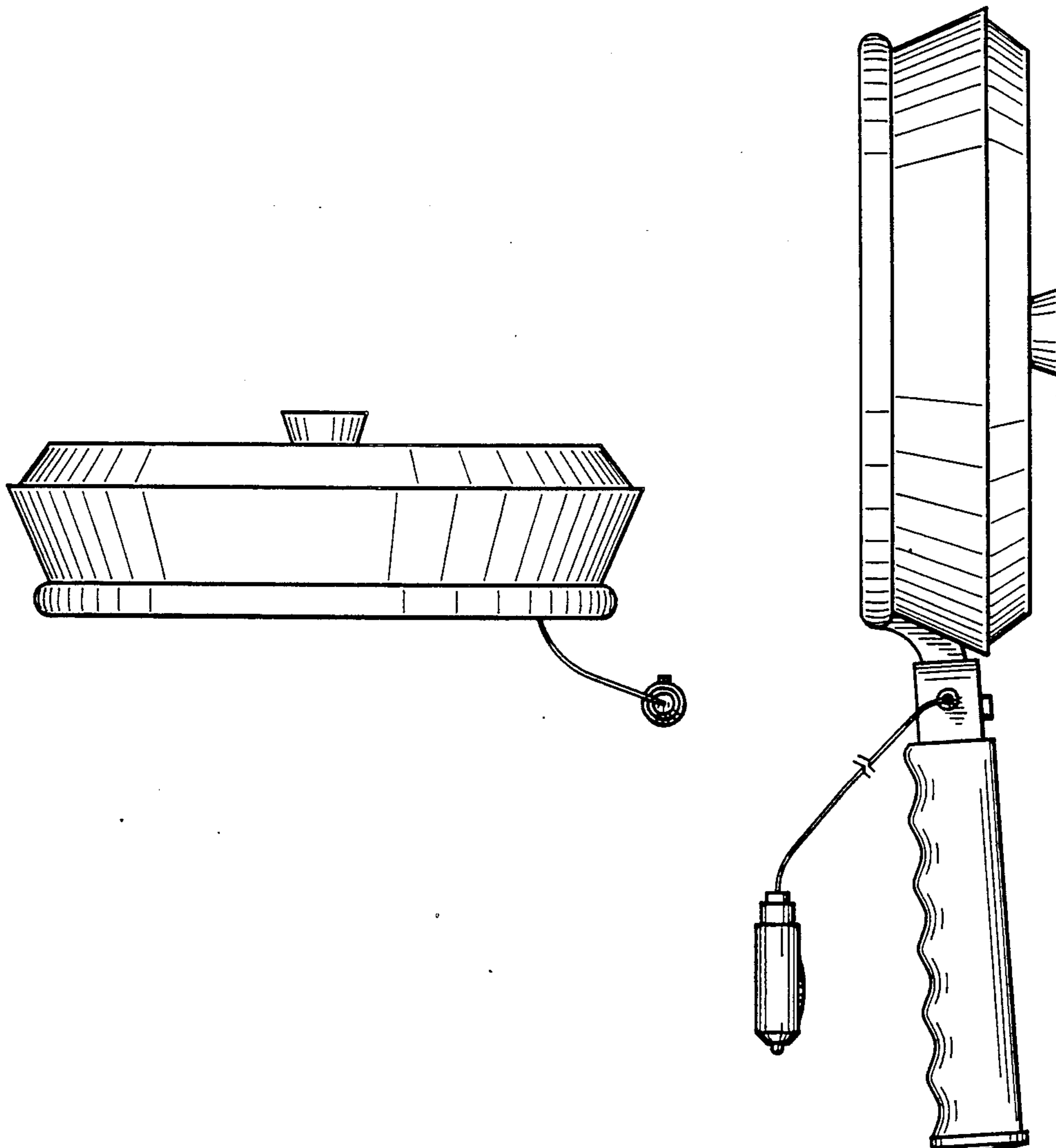
FIG. 2 is a rear elevational view thereof;

FIG. 3 is a right side elevational view thereof;

FIG. 4 is a left side elevational view thereof;

FIG. 5 is a top plan view thereof; and

FIG. 6 is a bottom plan view thereof.



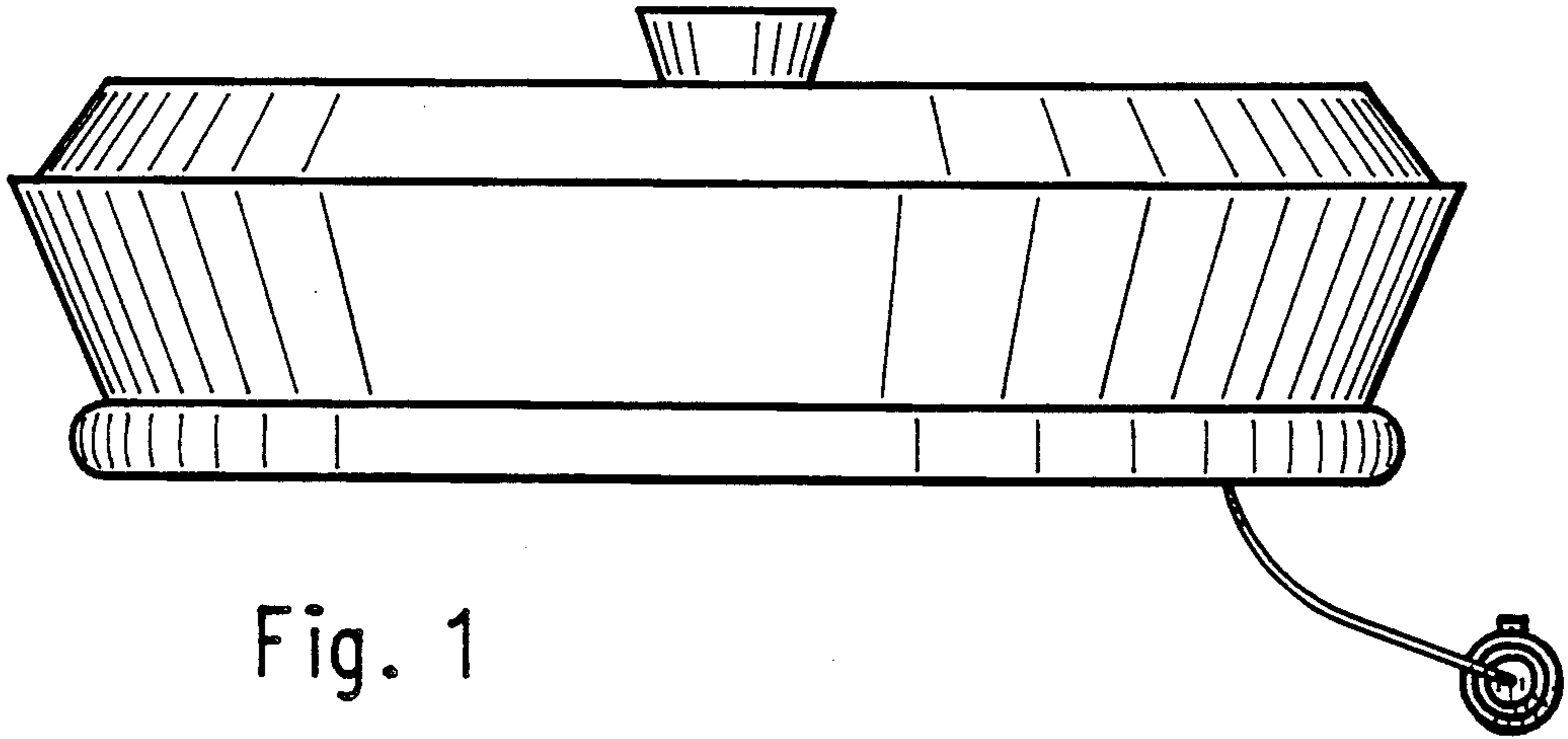


Fig. 1

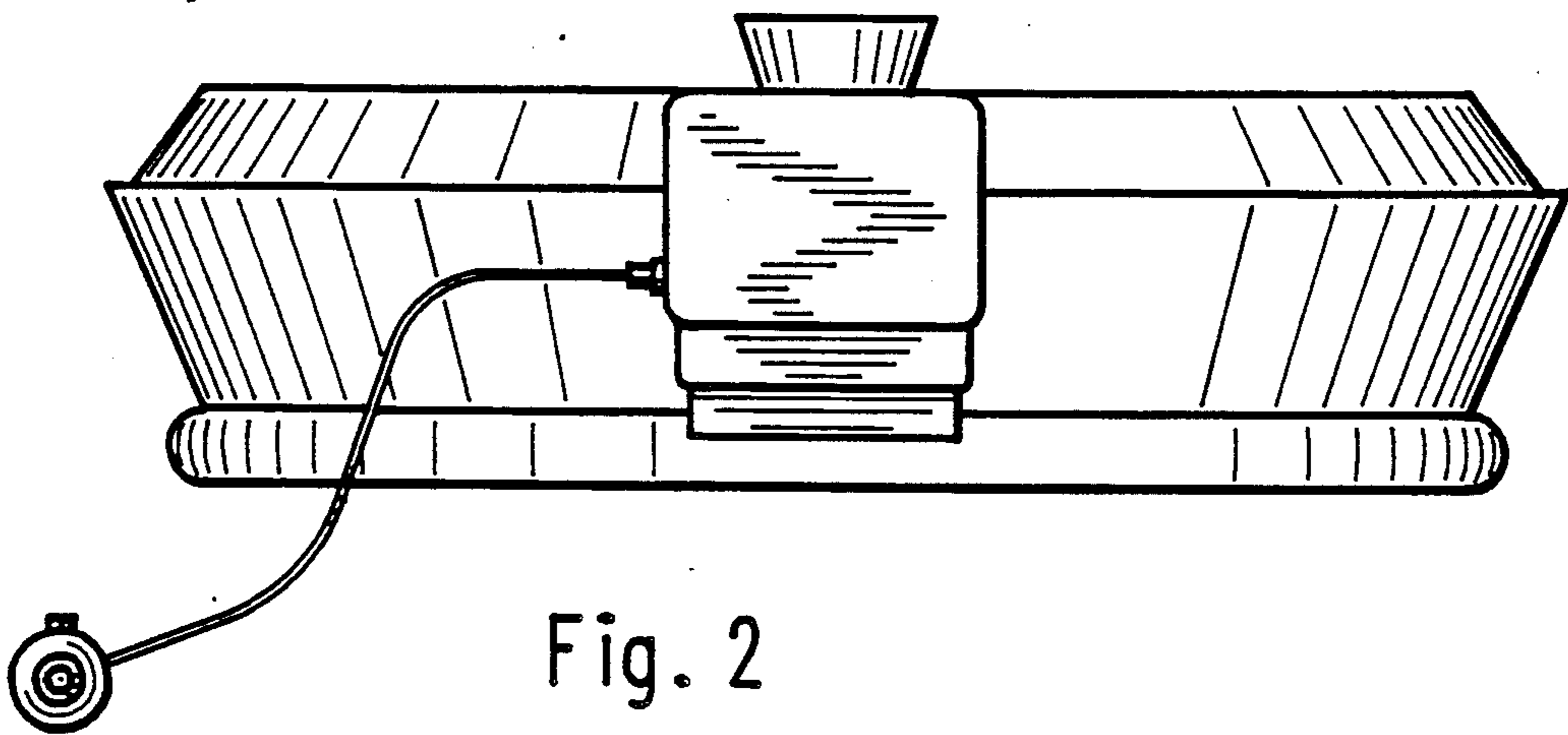
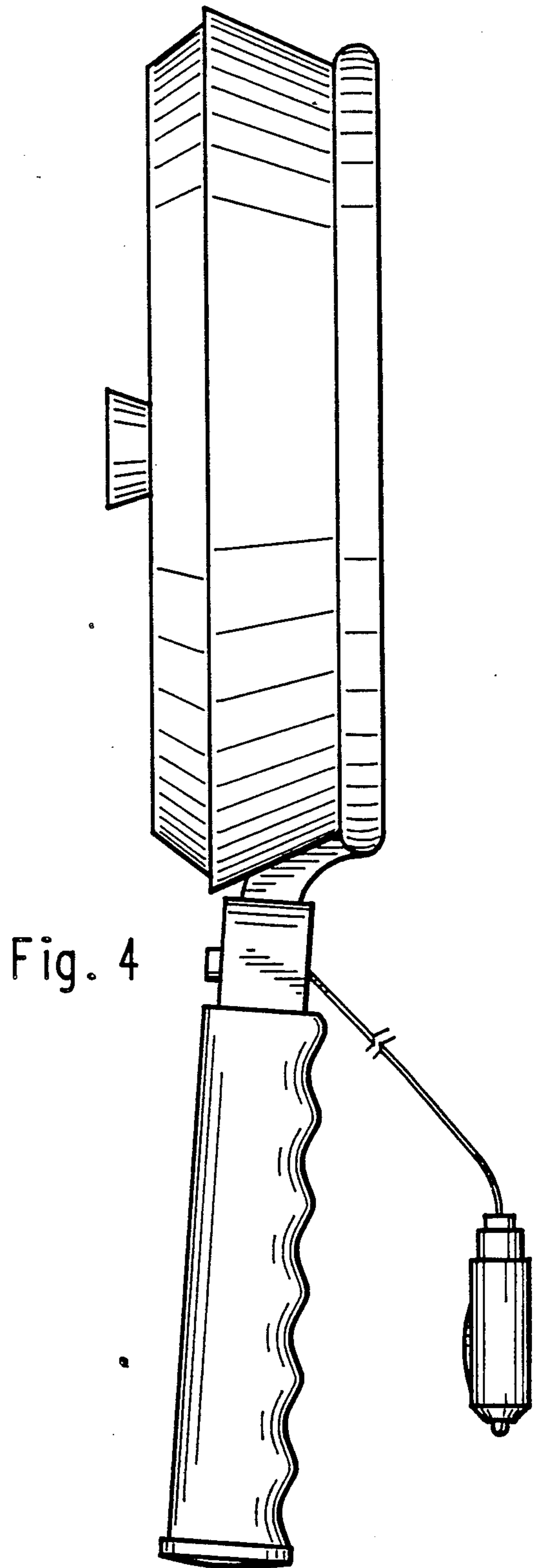
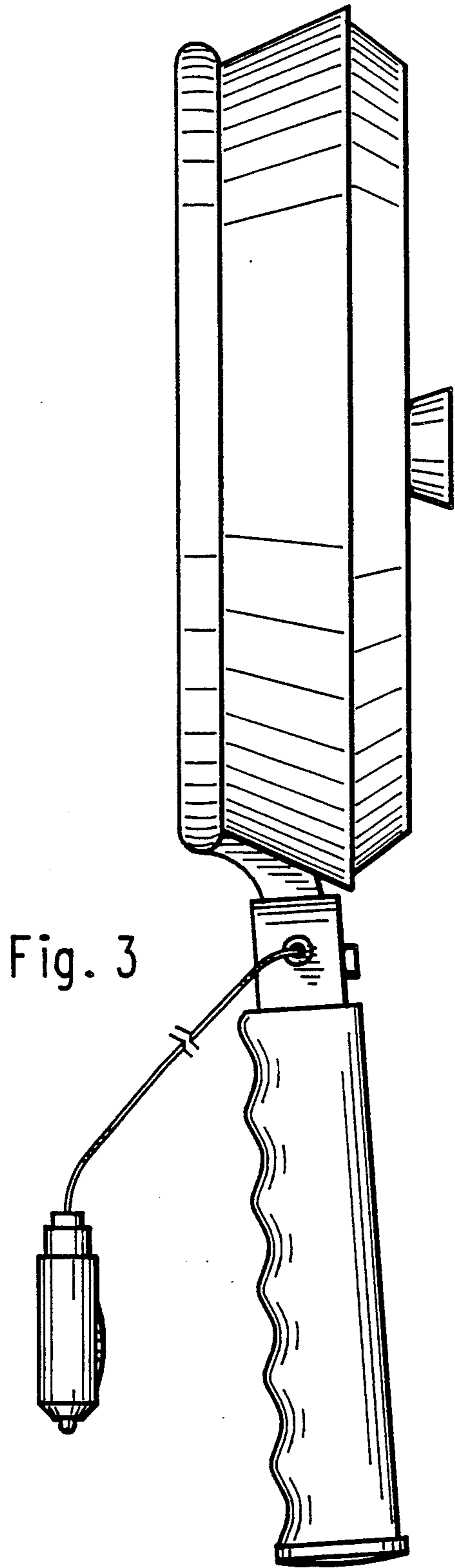


Fig. 2



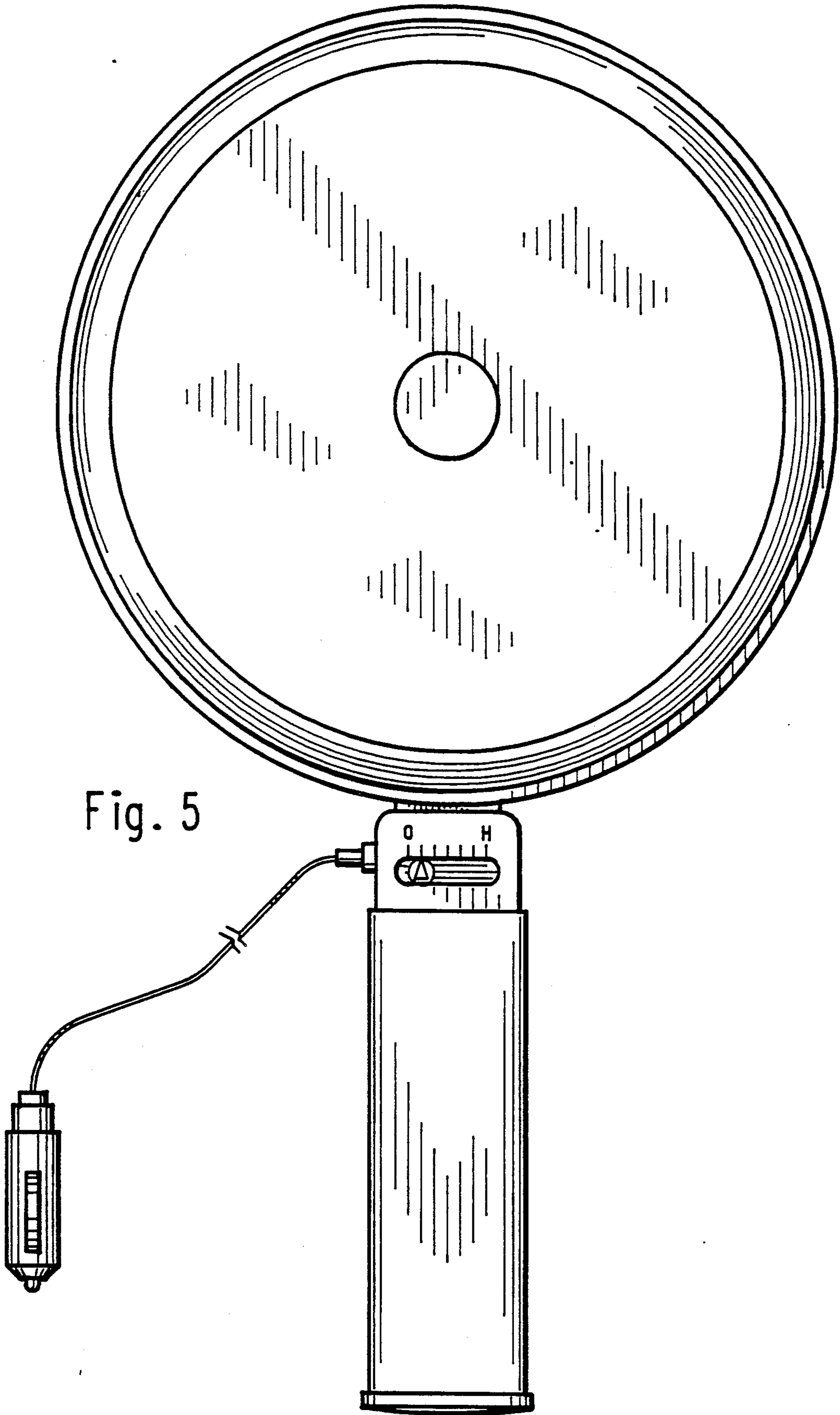


Fig. 5

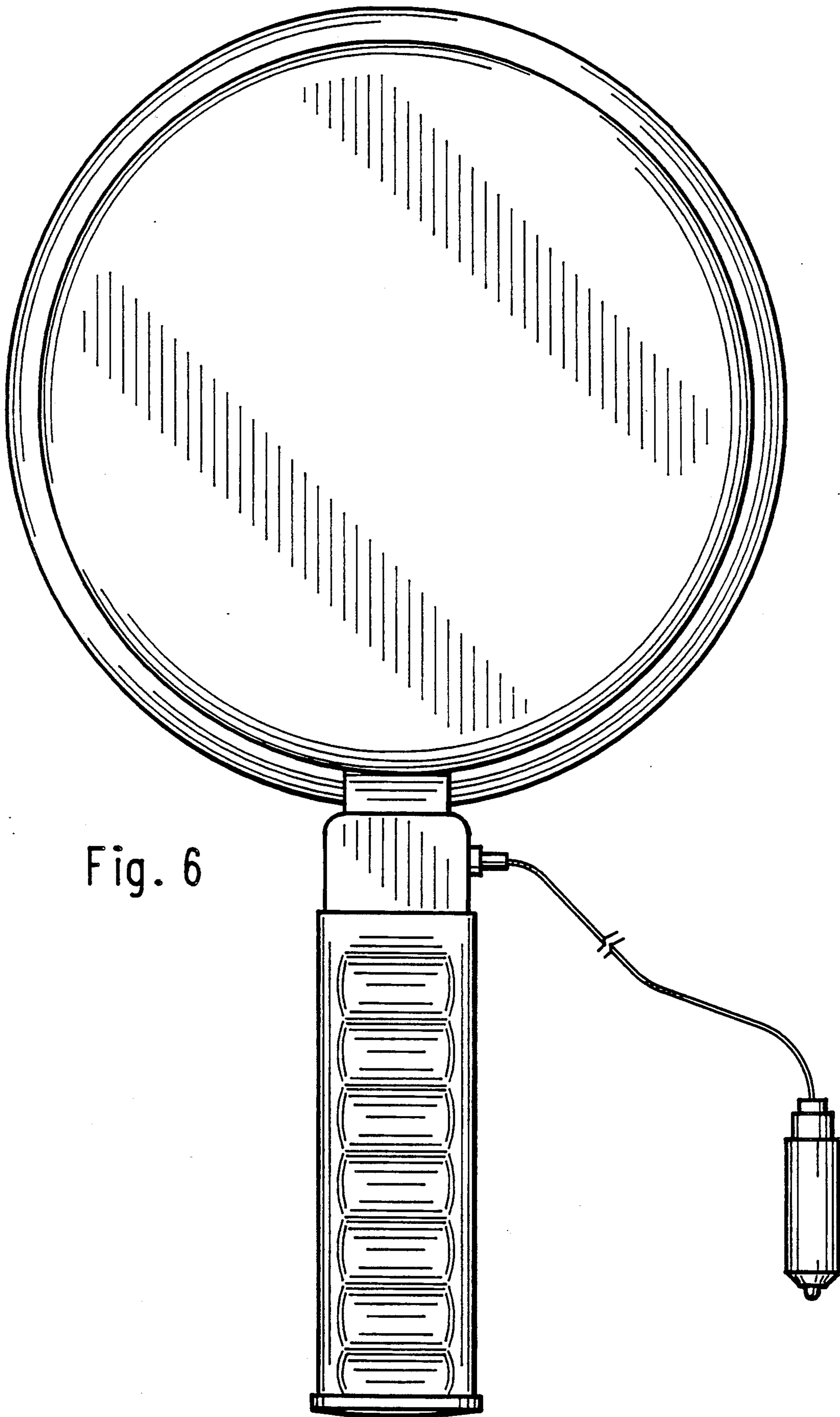


Fig. 6