



US00D324465S

United States Patent [19]

[11] Patent Number: **Des. 324,465**

Ratzlaff

[45] Date of Patent: **** Mar. 10, 1992**

[54] BEVERAGE DISPENSER

[56] References Cited

[75] Inventor: **Jörg Ratzlaff**, Altensteig, Fed. Rep. of Germany

U.S. PATENT DOCUMENTS

D. 296,408 6/1988 Gaunt et al. D7/308
4,493,441 1/1985 Sedam et al. D7/308 X

[73] Assignee: **The Cola-Cola Company**, Atlanta, Ga.

Primary Examiner—Winifred E. Herrmann

[**] Term: **14 Years**

[57] CLAIM

The ornamental design for a beverage dispenser, as shown and described.

[21] Appl. No.: **424,971**

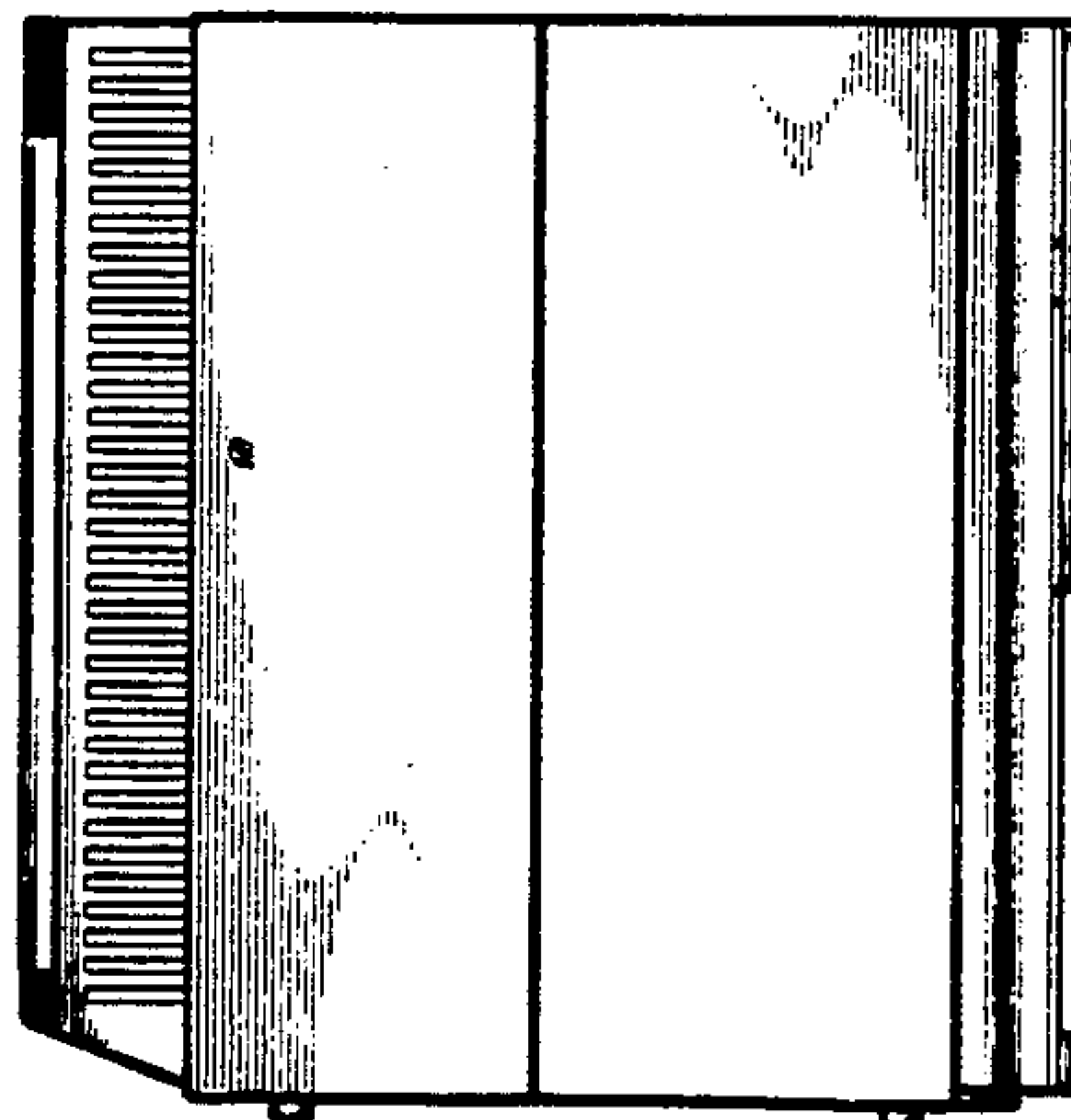
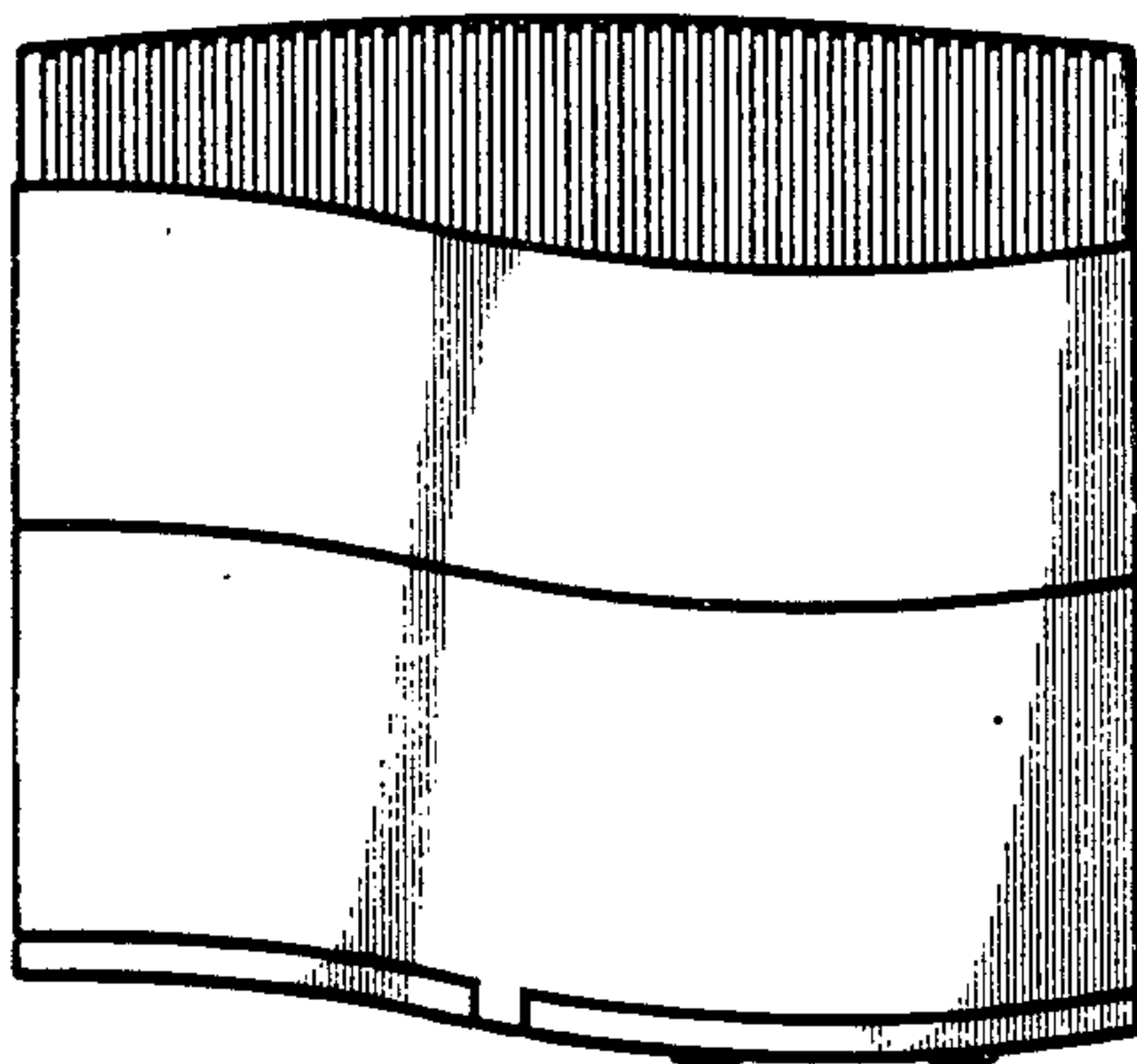
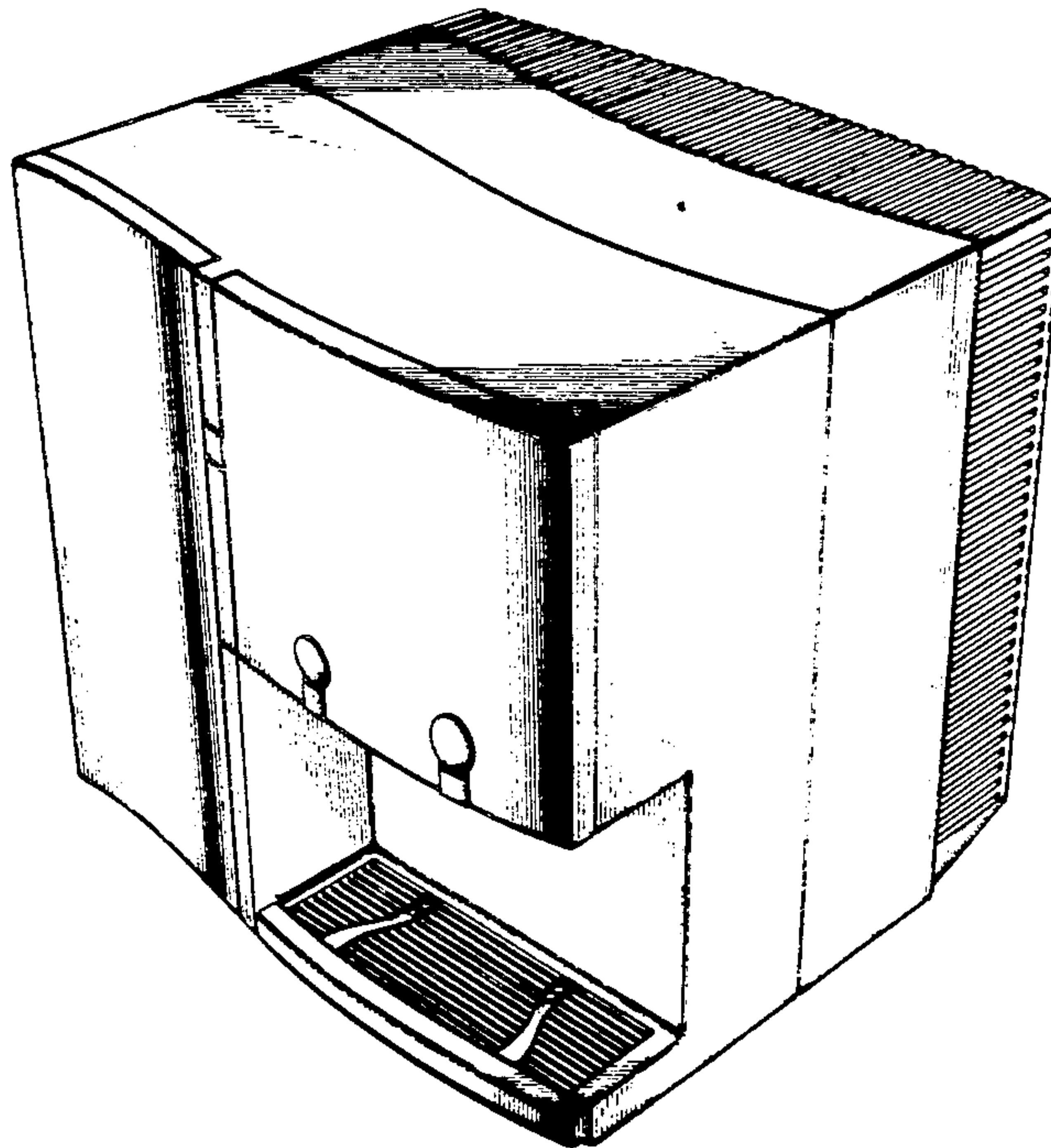
DESCRIPTION

[22] Filed: **Oct. 23, 1989**

[52] U.S. Cl. **D7/308; D7/311**

[58] Field of Search **D7/300, 308, 305, 309, D7/311, 312**

FIG. 1 is a top, front, and right-side perspective view of a beverage dispenser showing my new design; FIG. 2 is a front elevational view thereof; FIG. 3 is a top plan view thereof; FIG. 4 is a right-side elevational view thereof; FIG. 5 is a left-side elevational view thereof; FIG. 6 is a rear elevational view thereof; and FIG. 7 is a bottom plan view thereof.



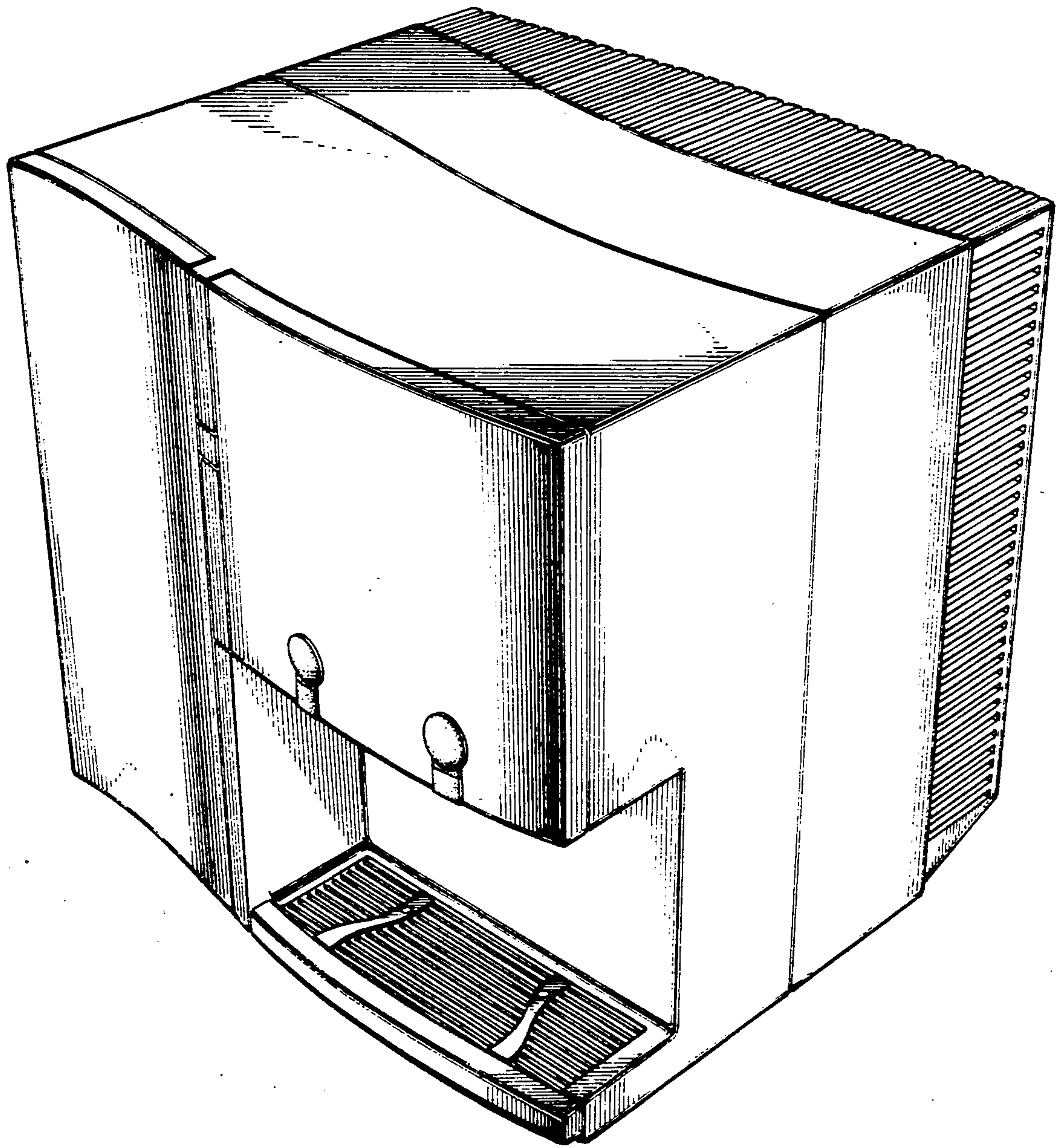


FIG 1

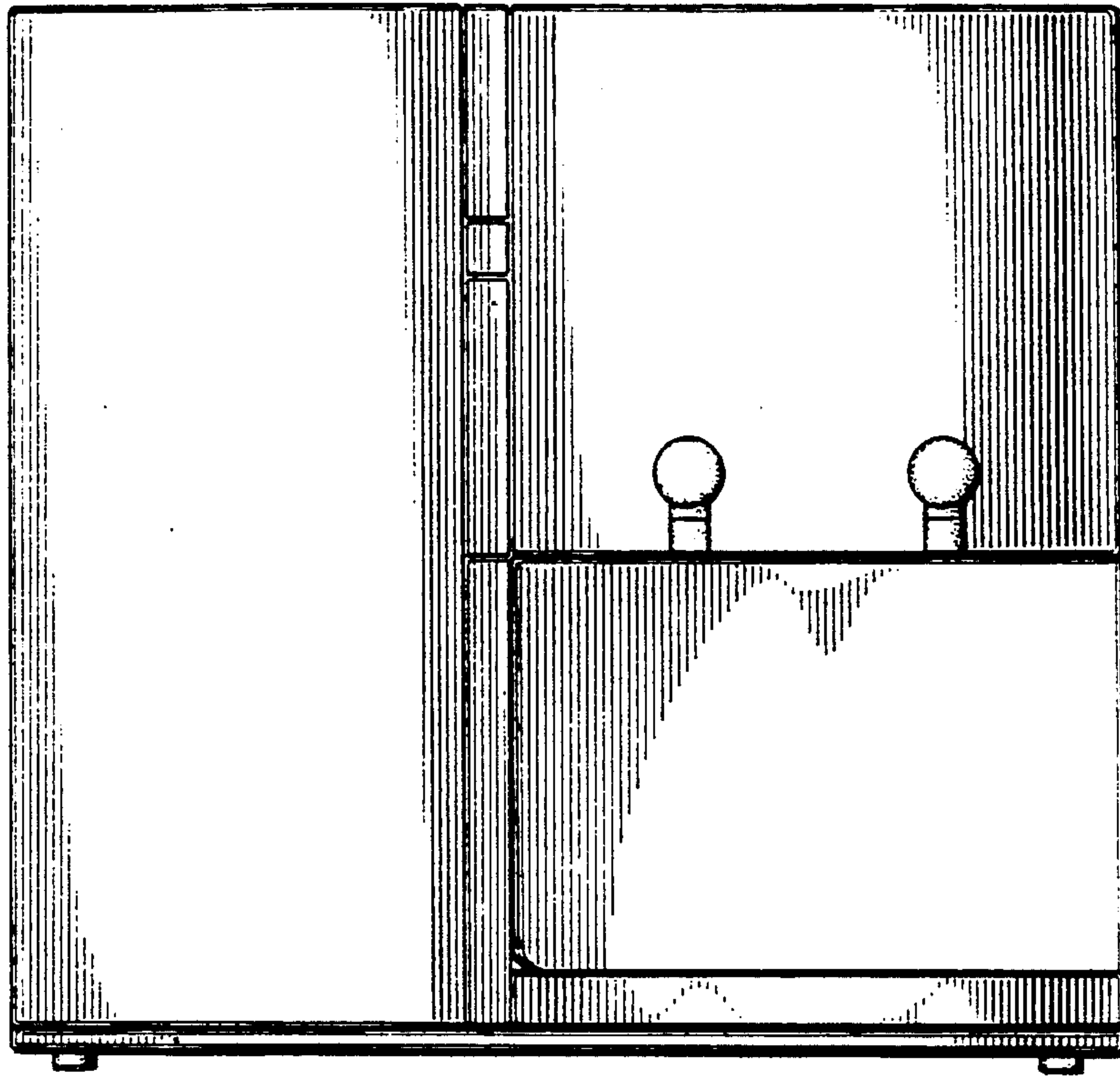


FIG 2

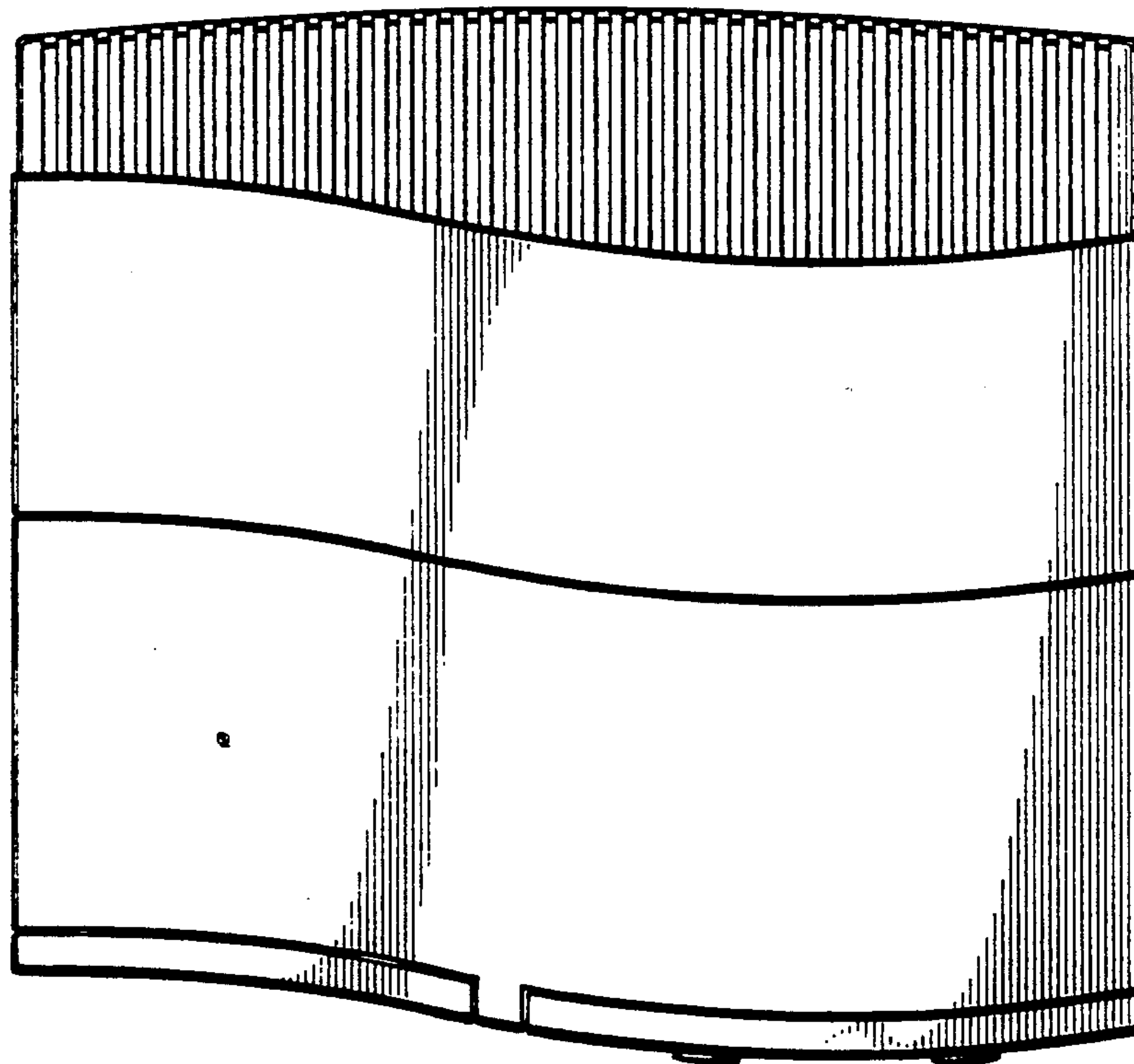


FIG 3

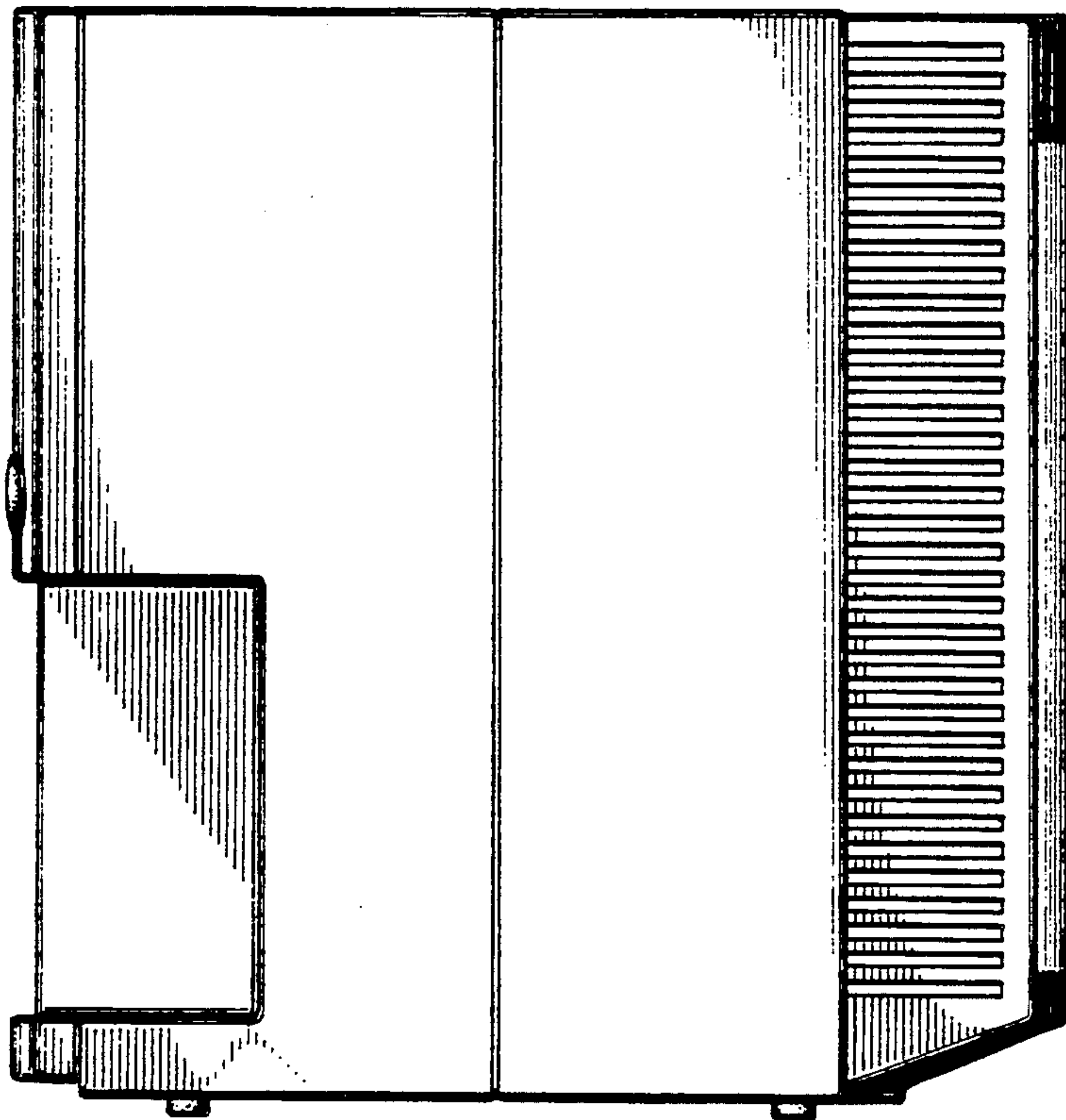


FIG 4

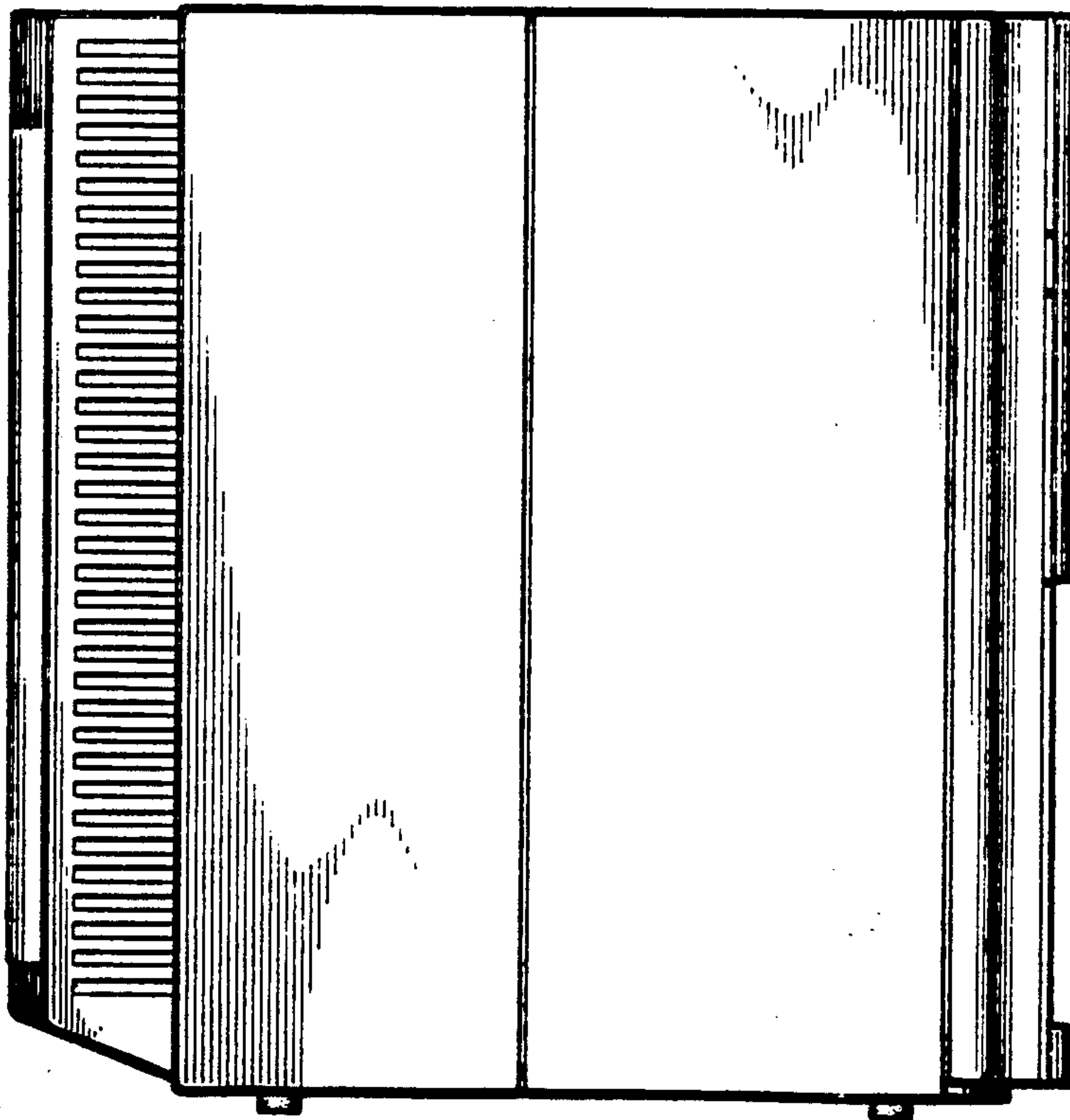


FIG 5

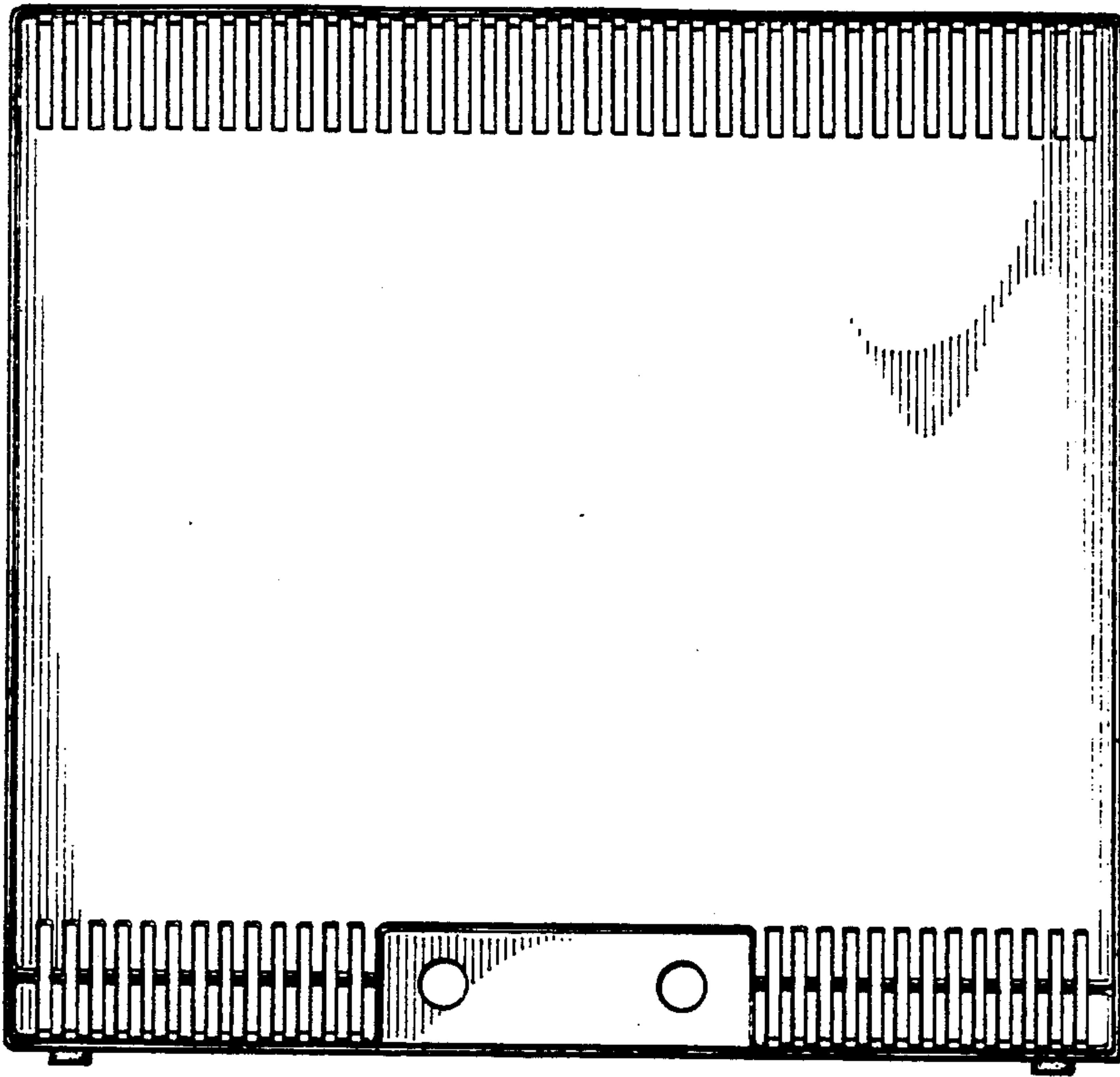


FIG 6

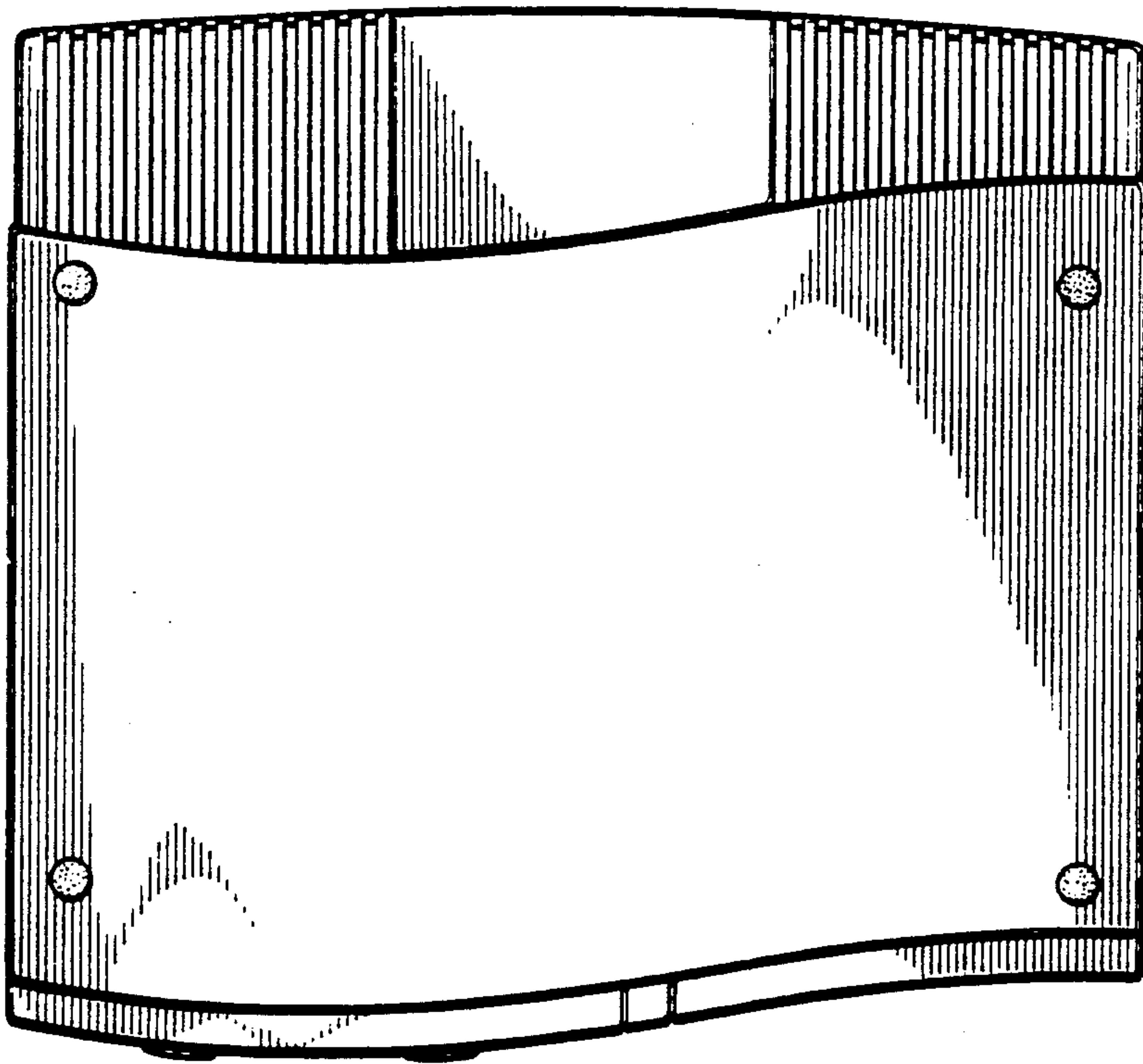


FIG 7