



US00D324460S

**United States Patent** [19]  
**Murray**

[11] **Patent Number: Des. 324,460**  
[45] **Date of Patent: \*\* Mar. 10, 1992**

[54] **CHAIR FOR USE PRIMARILY ON A BOAT**

4,184,281 1/1980 Corby et al. .... 297/192 X

[76] **Inventor: Frank Murray, 1306-53rd St., West Palm Beach, Fla. 33407**

*Primary Examiner*—Bruce W. Dunkins  
*Assistant Examiner*—Gary D. Watson  
*Attorney, Agent, or Firm*—Malin, Haley, McHale, DiMaggio & Crosby

[\*\*] **Term: 14 Years**

[21] **Appl. No.: 335,980**

[57] **CLAIM**

[22] **Filed: Mar. 27, 1989**

The ornamental design for a chair for use primarily on a boat, as shown and described.

[52] **U.S. Cl. .... D6/380; D6/364; D6/370; D6/500**

[58] **Field of Search ..... D6/334, 364, 365, 370, D6/380, 500**

**DESCRIPTION**

[56] **References Cited**

**U.S. PATENT DOCUMENTS**

- D. 173,392 11/1954 Sherman ..... D6/334
- D. 195,553 7/1963 Isola ..... D6/364
- D. 228,371 9/1973 Gill ..... D6/364
- D. 261,702 11/1981 Whalen ..... D6/334
- D. 289,584 5/1987 Pratt ..... D6/364

FIG. 1 is a front elevational view of a chair for use primarily on a boat showing my new design;  
FIG. 2 is a rear elevational view;  
FIG. 3 is a top plan view;  
FIG. 4 is a bottom plan view;  
FIG. 5 is a side elevational view, the opposite side being a mirror image thereof; and  
FIG. 6 is a perspective view of the chair on an enlarged scale.

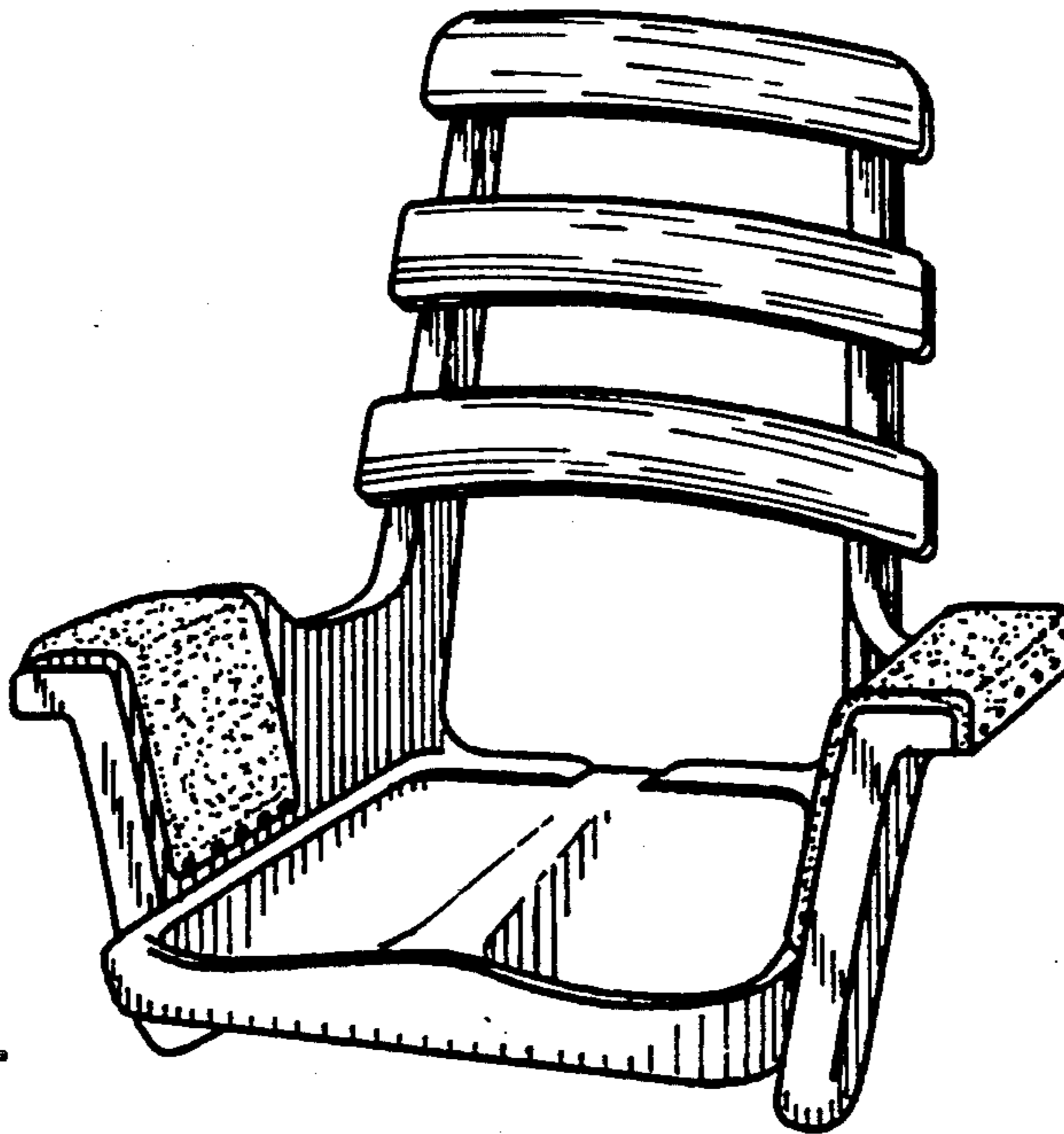


FIG. 1

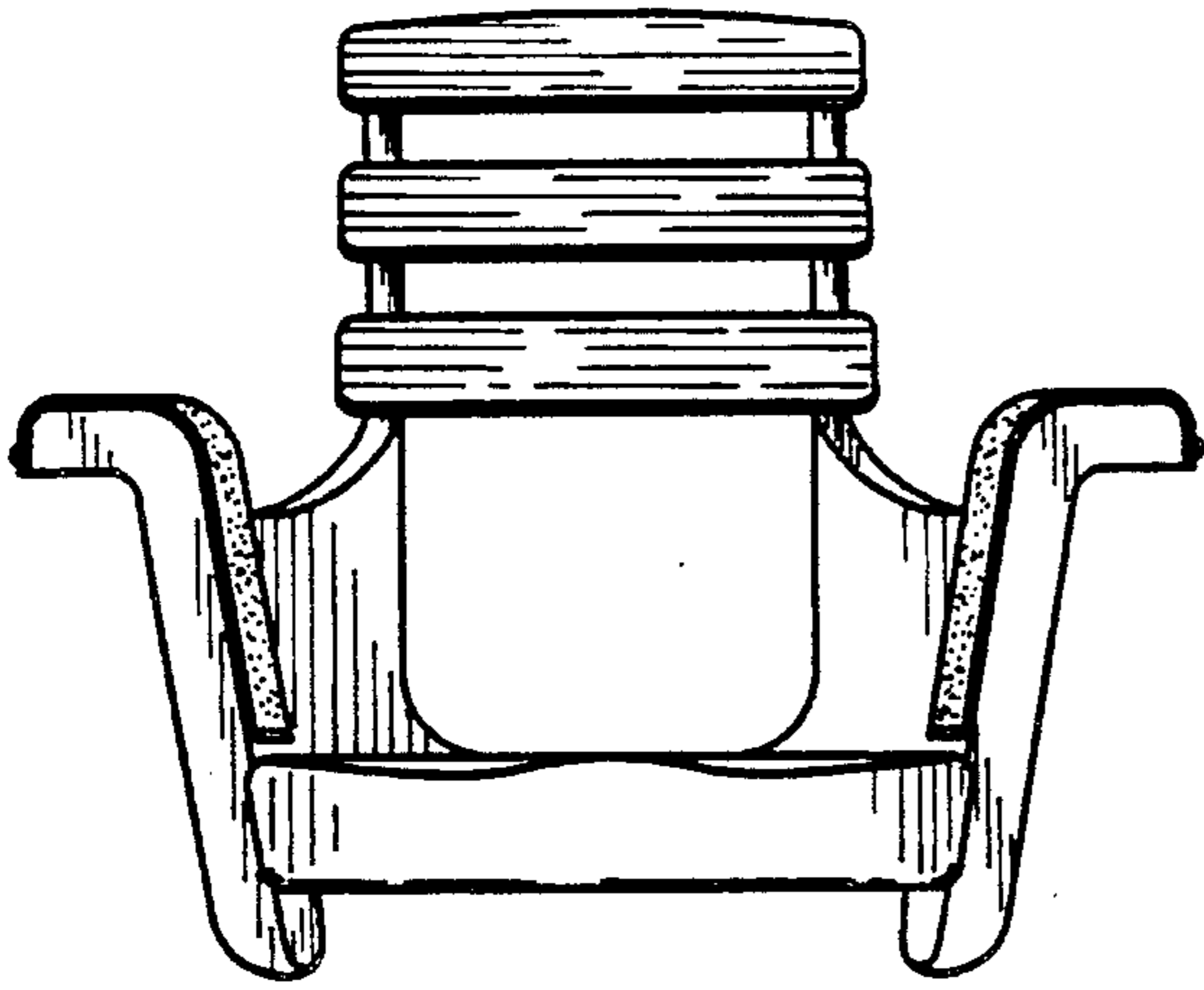


FIG. 2

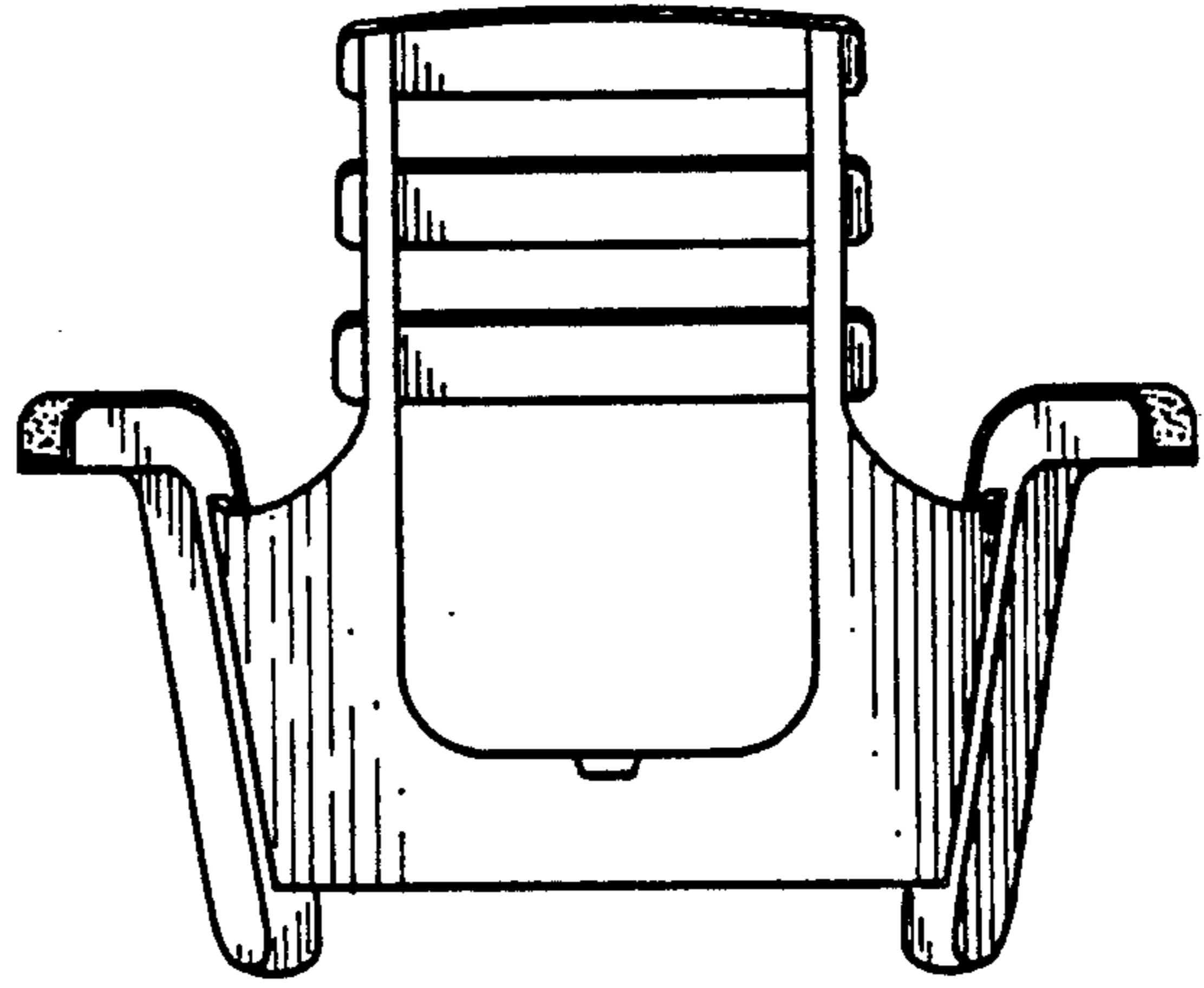


FIG. 3

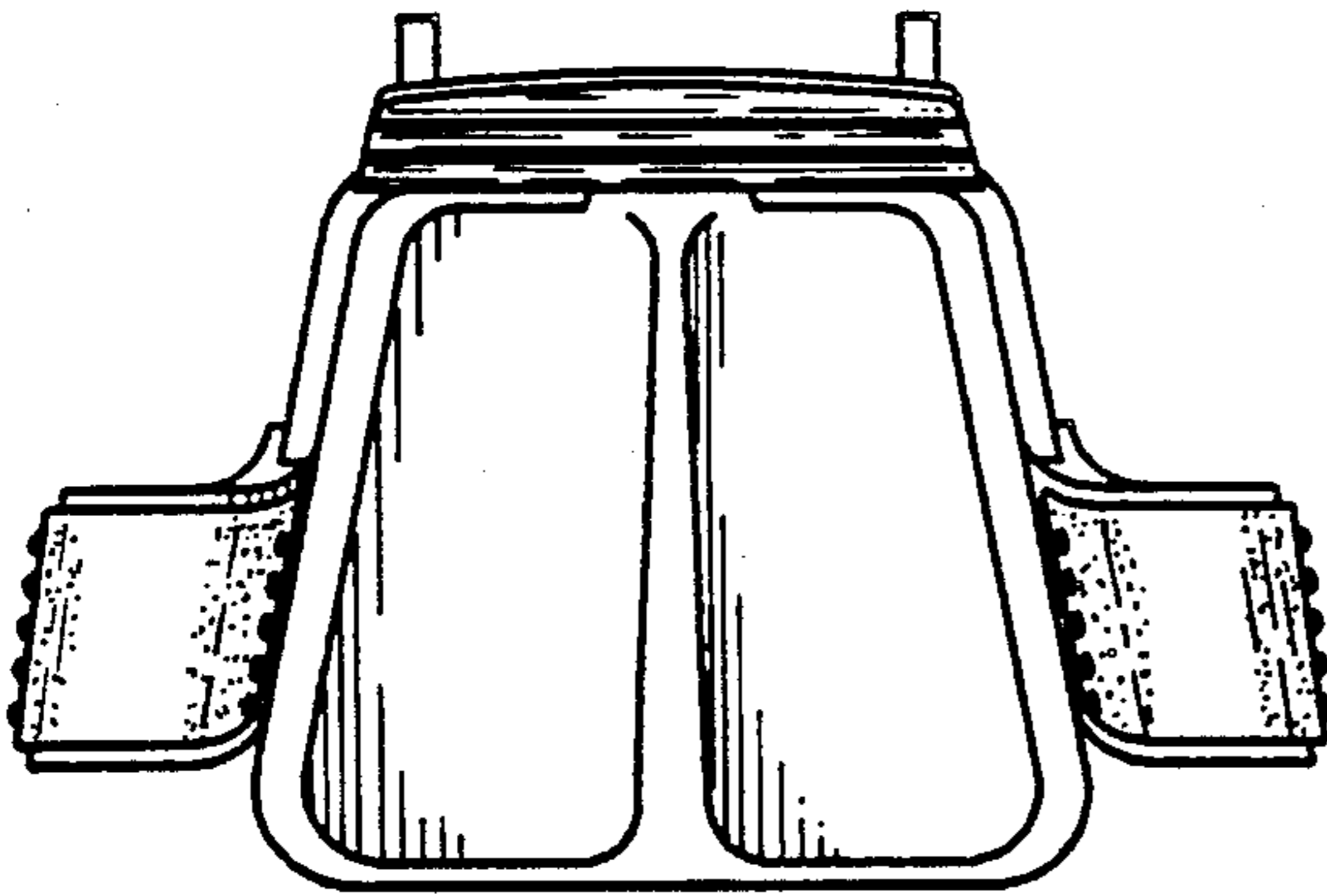


FIG. 4

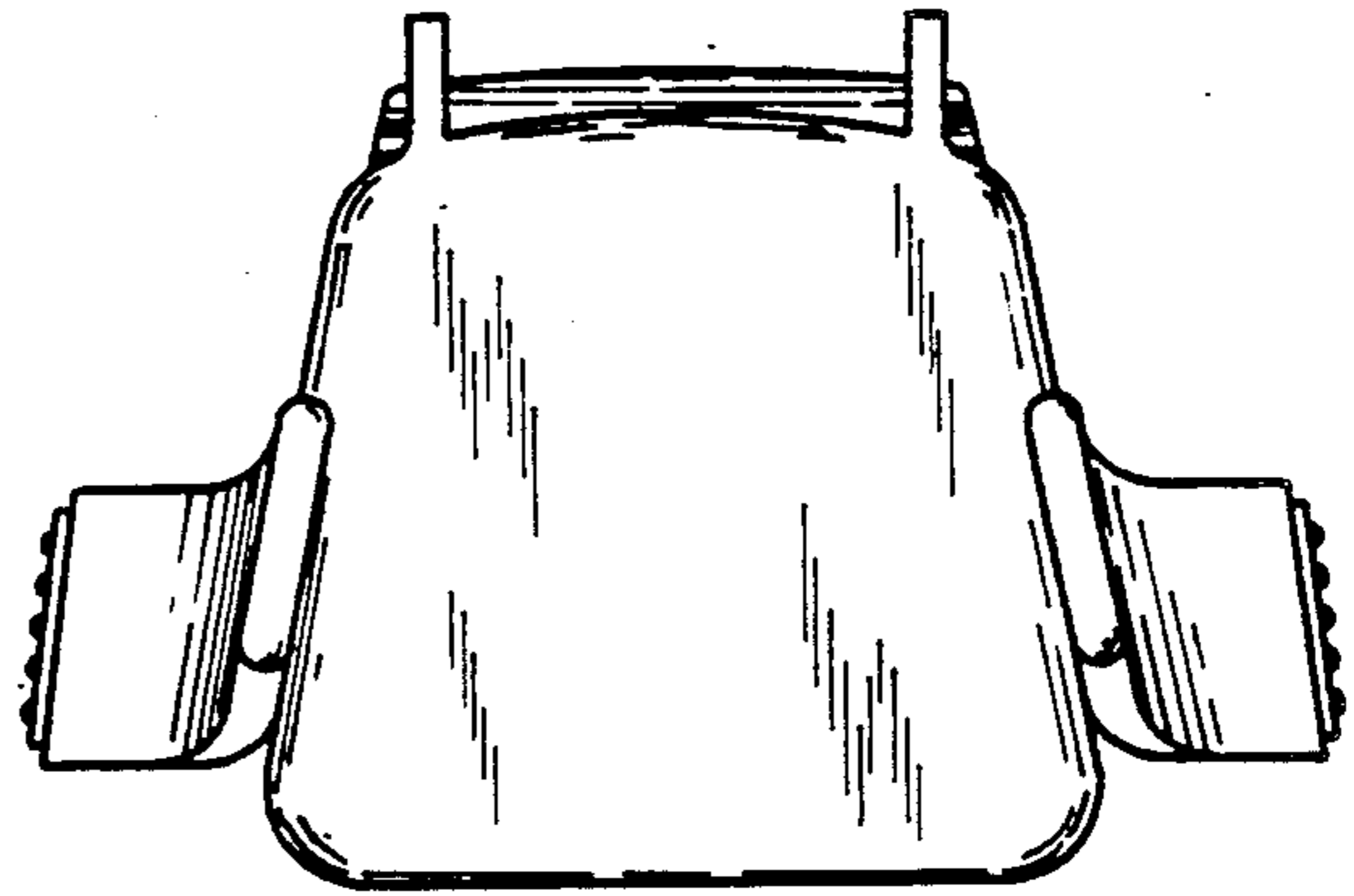


FIG. 5

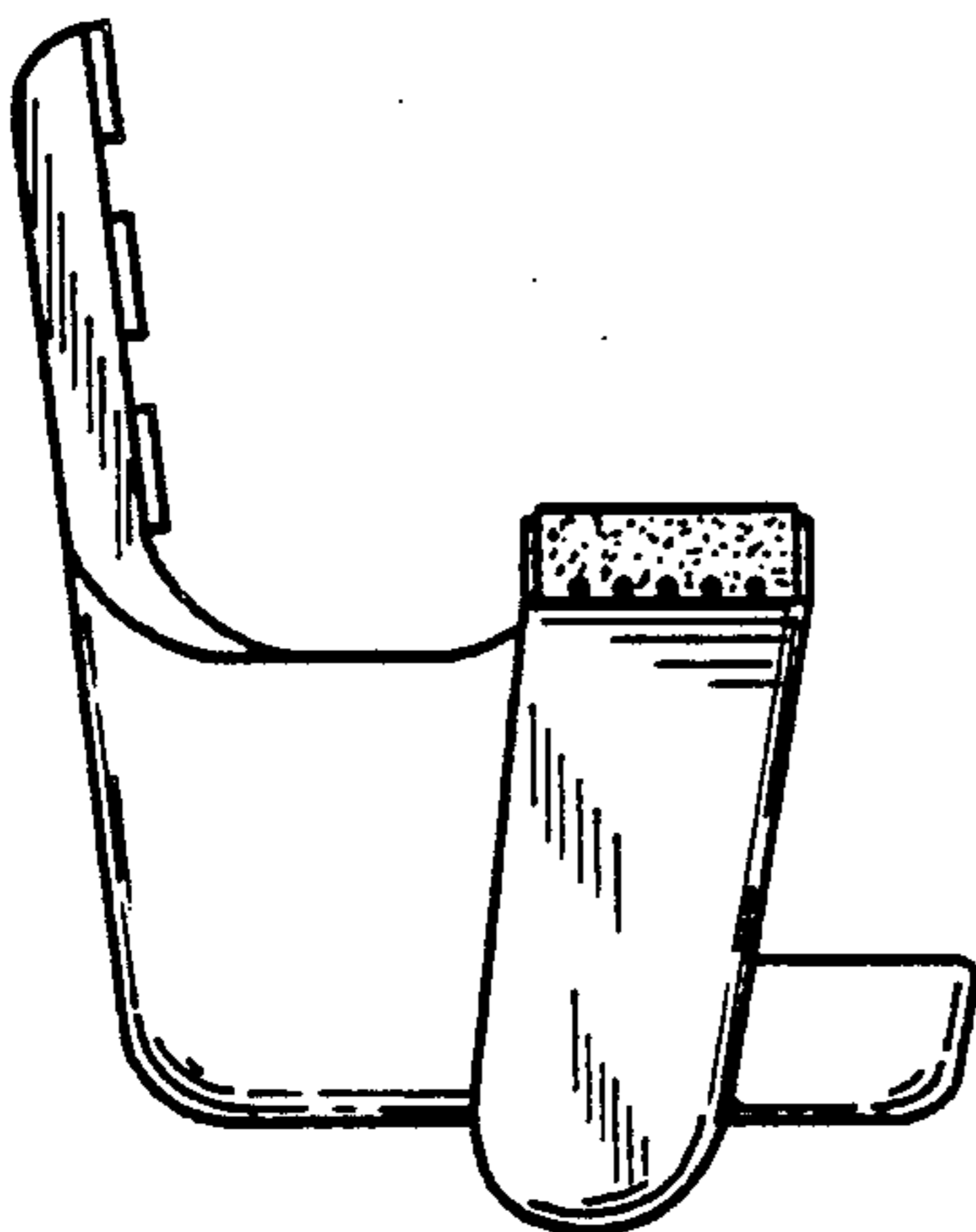


FIG. 6

