



US00D324456S

United States Patent [19]

[11] Patent Number: Des. 324,456

Rolleri

[45] Date of Patent: ** Mar. 10, 1992

[54] FOLDING TOOTHBRUSH

[76] Inventor: Dennis A. Rolleri, 117 Center St., Nutley, N.J. 07110

[**] Term: 14 Years

[21] Appl. No.: 266,621

[22] Filed: Nov. 3, 1988

[52] U.S. Cl. D4/108; D4/121; D4/136

[58] Field of Search D4/104-114, D4/116, 121, 130, 134, 136, 138, 199; D24/10-11; 15/105-106, 143 R, 146, 159 R, 159 A, 160, 167.1-167.3, 184-185; 132/308-315, 321-328; 206/361-362, 362.1-362.4, 15.2

[56] References Cited

U.S. PATENT DOCUMENTS

D. 53,453	6/1919	Lloyd	D4/108
D. 256,294	8/1980	Su	D4/136
1,967,775	7/1934	Kantor	15/185
2,171,591	9/1939	Minich	401/268 X
2,741,786	4/1956	Bressler	15/105

Primary Examiner—Wallace R. Burke
Assistant Examiner—Lavone D. Tabor
Attorney, Agent, or Firm—Michael J. Weins

[57] CLAIM

The ornamental design for a folding toothbrush, as shown and described.

DESCRIPTION

FIG. 1 is a top perspective view of a folding toothbrush showing my new design, shown in open position; FIG. 2 is a rear elevational view thereof; FIG. 3 is a front elevational view thereof; FIG. 4 is a top plan view thereof; FIG. 5 is a right side elevational view thereof, the left side being a mirror image; FIG. 6 is a bottom plan view thereof; FIG. 7 is a top perspective view thereof, shown in closed position; FIG. 8 is a rear elevational view thereof; FIG. 9 is a front elevational view thereof; FIG. 10 is a top plan view thereof; FIG. 11 is a right side elevational view thereof, the left side being a mirror image; and FIG. 12 is a bottom plan view thereof.

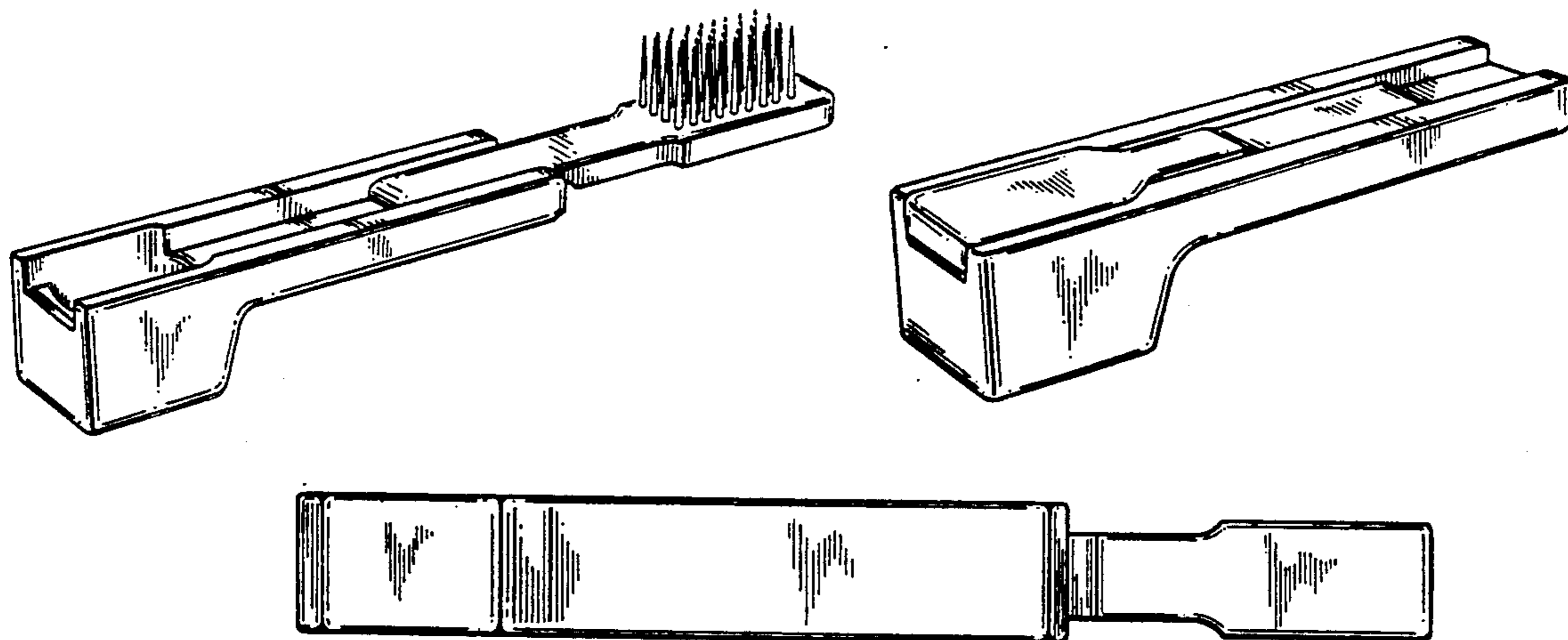


FIG-1

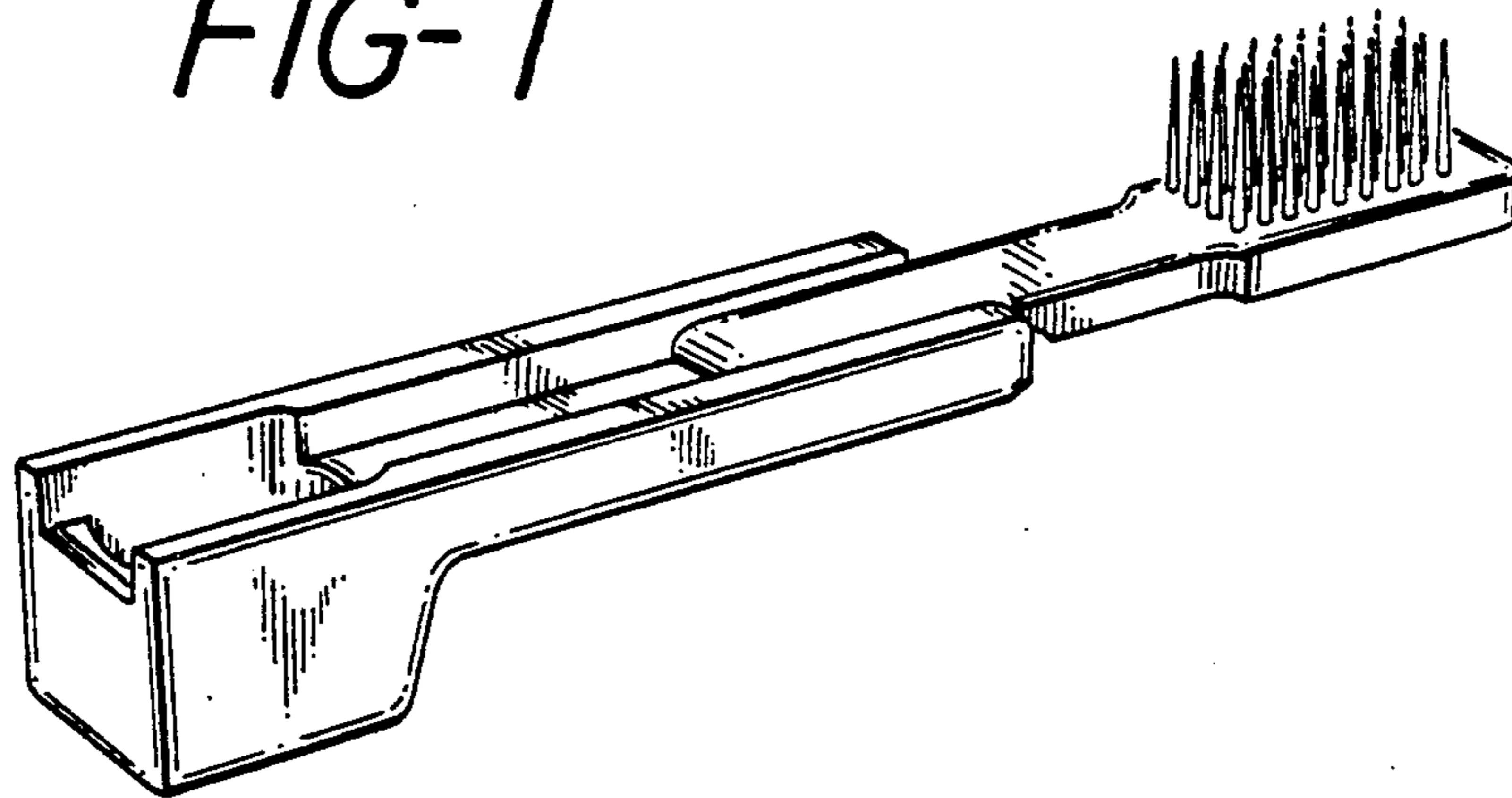


FIG-2

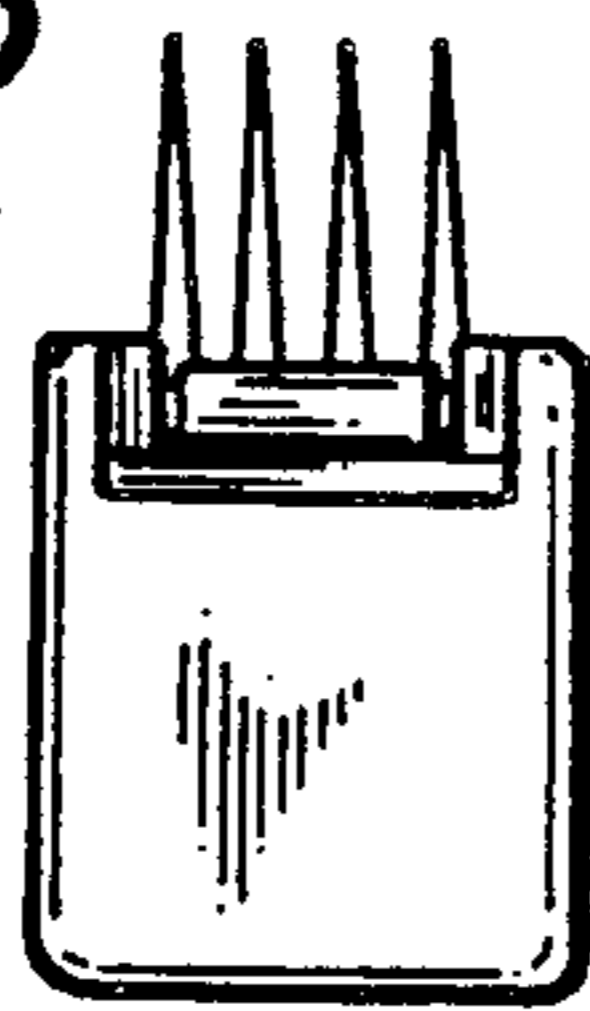


FIG-3

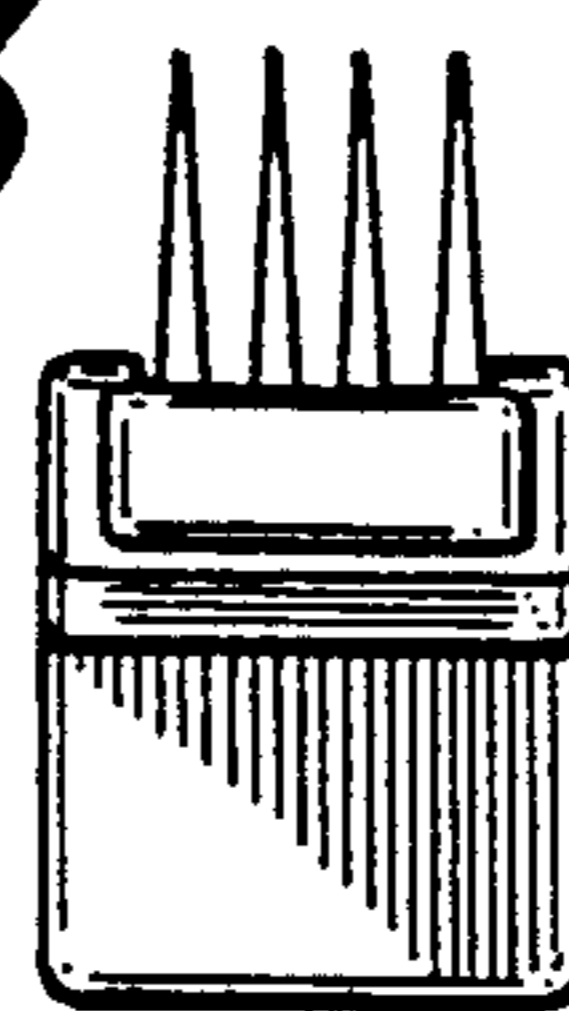


FIG-4

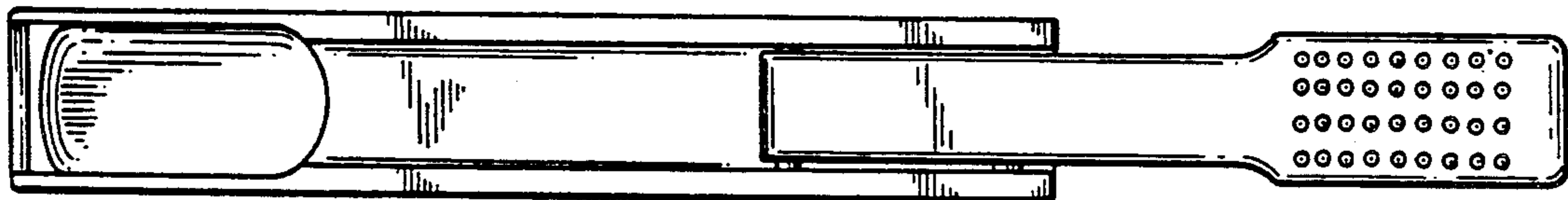


FIG-5

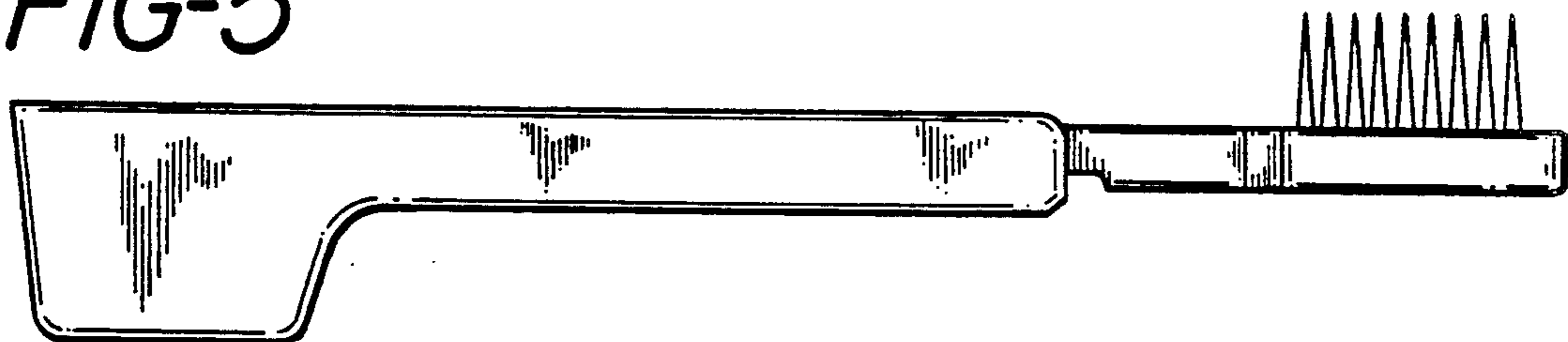


FIG-6

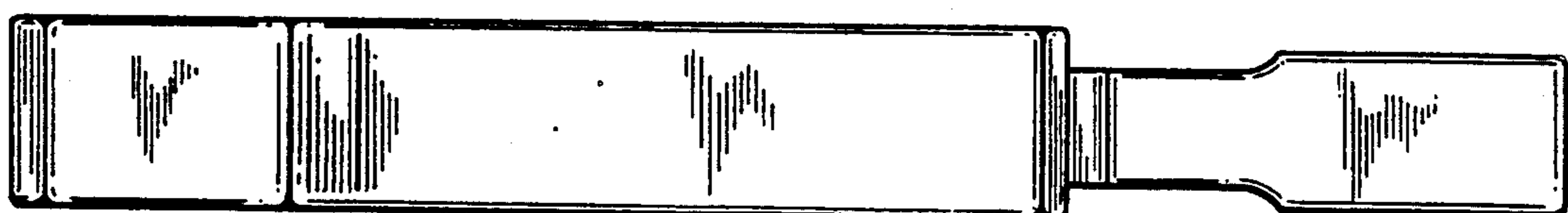


FIG-7

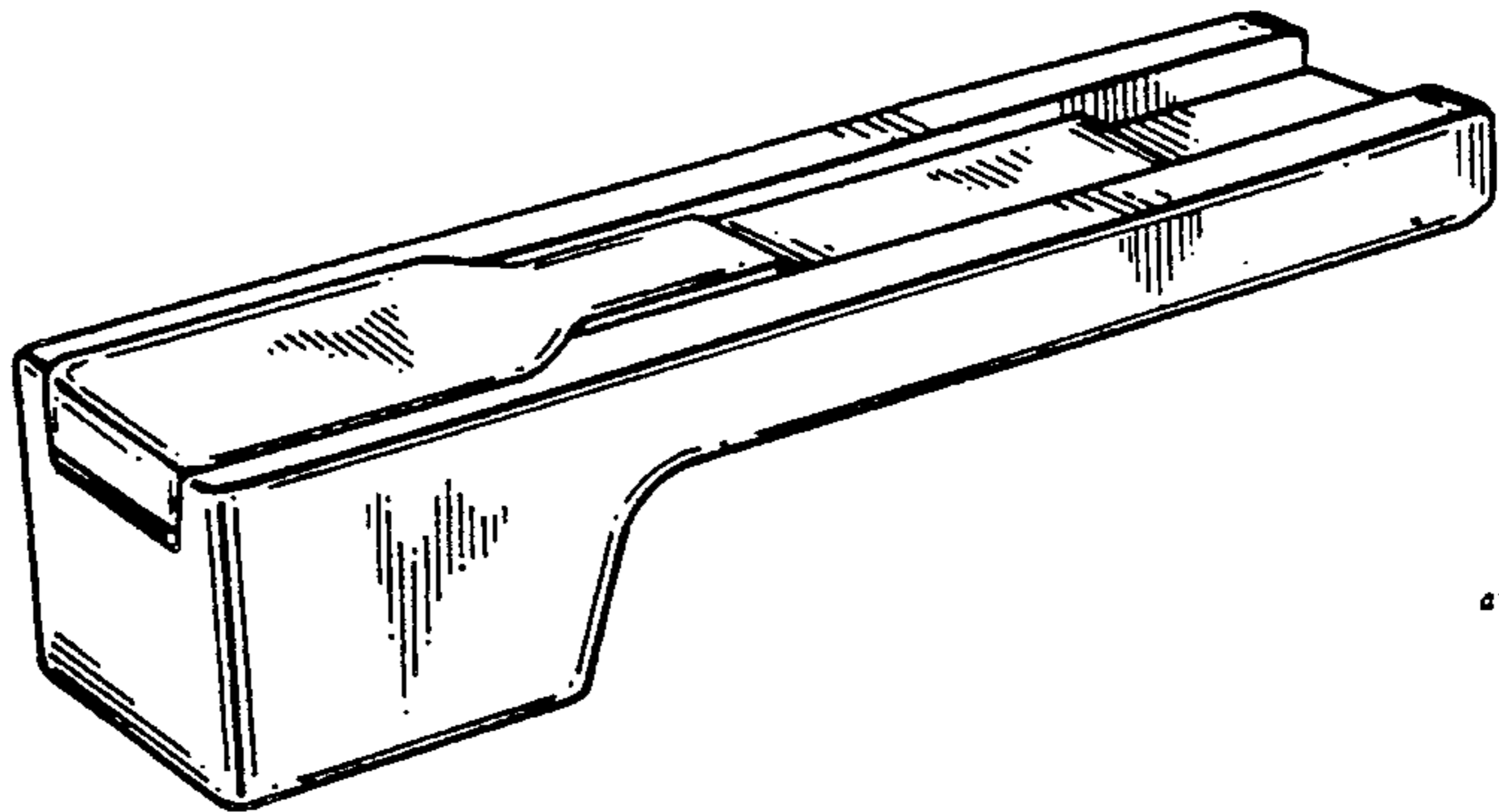


FIG-8



FIG-9

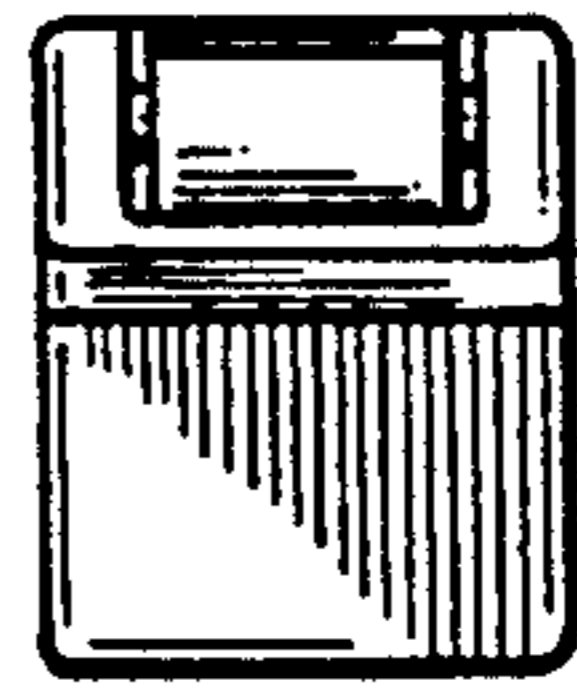


FIG-10

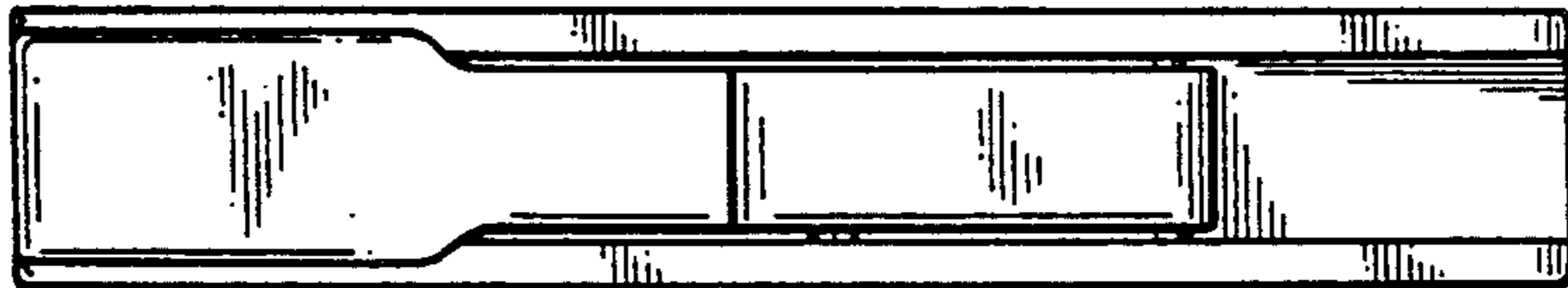


FIG-11

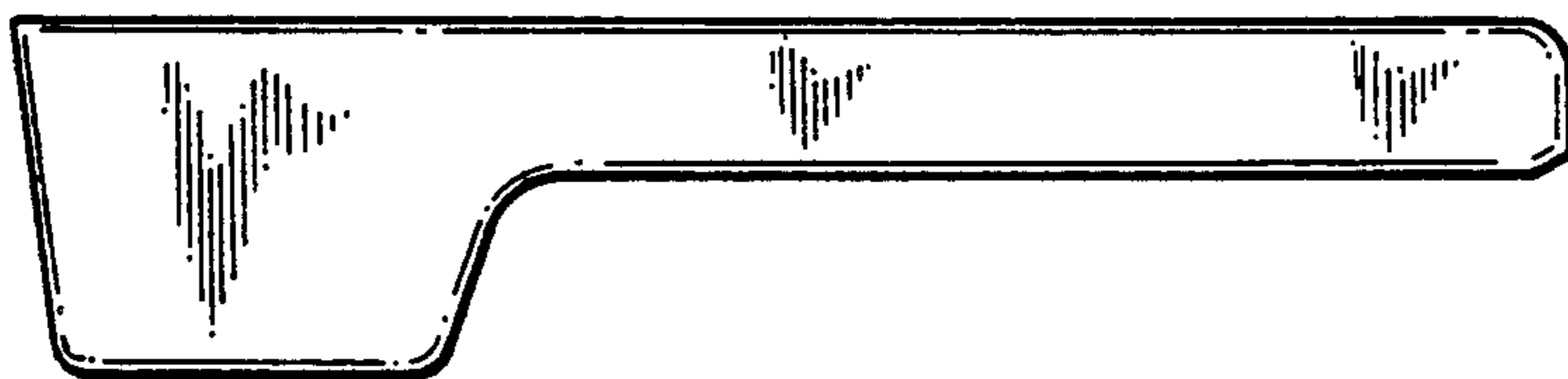


FIG-12

