



US00D324455S

United States Patent [19]

Fasitta et al.

[11] Patent Number: Des. 324,455

[45] Date of Patent: ** Mar. 10, 1992

[54] TOOTHBRUSH

4,654,921 4/1987 Dinner .
4,679,274 7/1987 Friedman .

[76] Inventors: Patricia M. Fasitta, 123-12 Hillside Ave. 2Fl., Richmond Hill, N.Y. 11418; Diane Boehm, P.O. Box 3892, Ridgewood, N.Y. 11386

FOREIGN PATENT DOCUMENTS

715589 12/1931 France .
2315238 1/1977 France .

[**] Term: 14 Years

Primary Examiner—Wallace R. Burke
Assistant Examiner—Lavone D. Tabor
Attorney, Agent, or Firm—Terry M. Gernstein

[21] Appl. No.: 601,575

[22] Filed: Oct. 23, 1990

[57] CLAIM

[52] U.S. Cl. D4/104; D4/129

The ornamental design for a toothbrush, as shown and described.

[58] Field of Search D4/101, 104-114, D4/129-130, 132, 134, 136, 138, 199; D28/64; 15/22.1-22.2, 23-28, 143 R, 159 R, 159 A, 160, 167.1-167.3, 176.1; 132/308-311

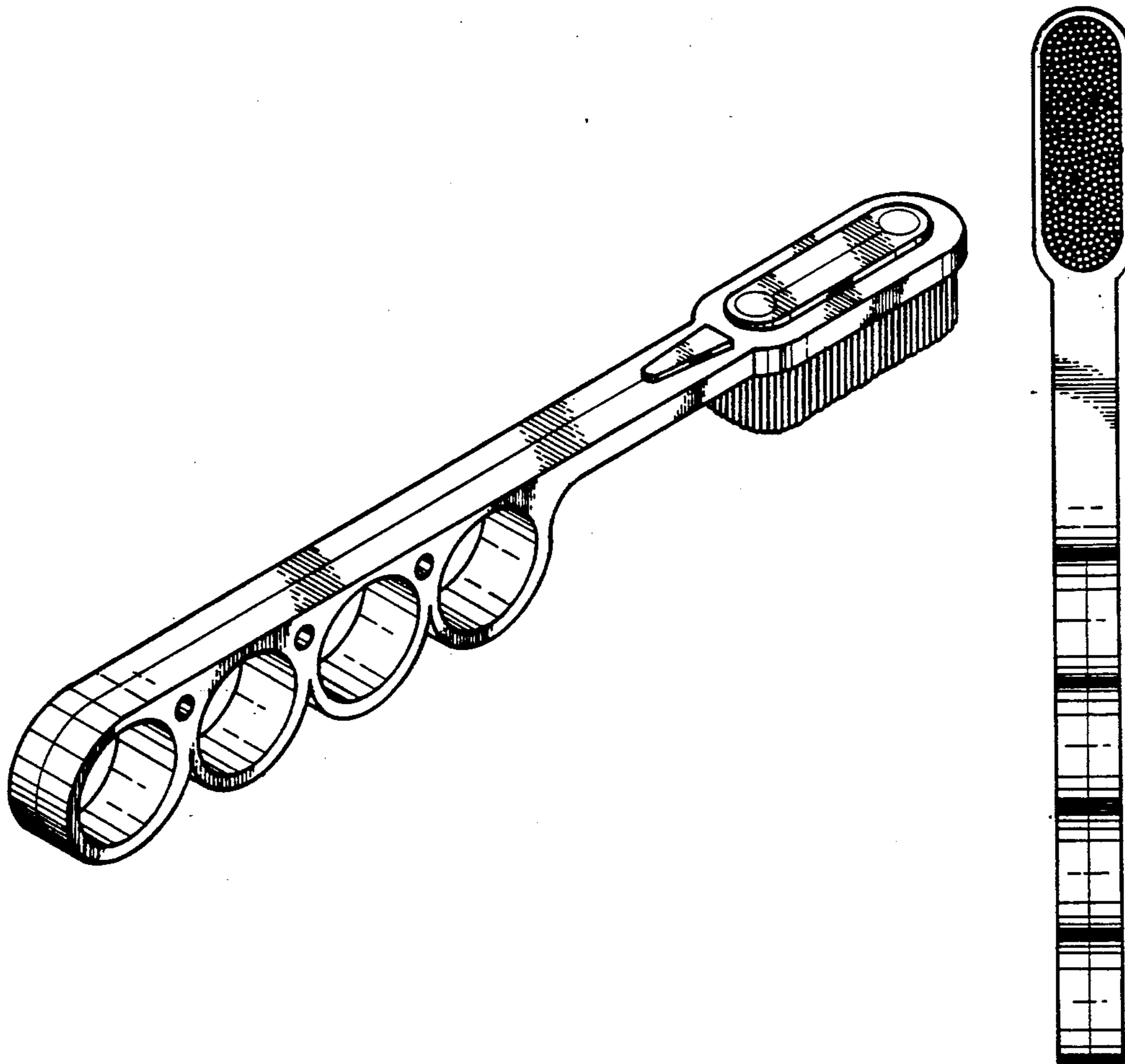
DESCRIPTION

[56] References Cited

U.S. PATENT DOCUMENTS

D. 278,661 5/1985 Gelsen .
D. 294,201 2/1988 Moore D28/64
829,353 8/1906 Rand 15/143 R
2,813,290 11/1957 Aschenbach .
2,914,785 12/1959 Ela 15/143 R
3,214,776 11/1965 Bercovitz .

FIG. 1 is a perspective view of a toothbrush showing our new design;
FIG. 2 is a front elevational view thereof, the rear being a mirror image;
FIG. 3 is an end elevational view as seen from the right of FIG. 1;
FIG. 4 is an elevational view of the opposite end thereof;
FIG. 5 is a bottom plan view thereof; and
FIG. 6 is a top plan view thereof.



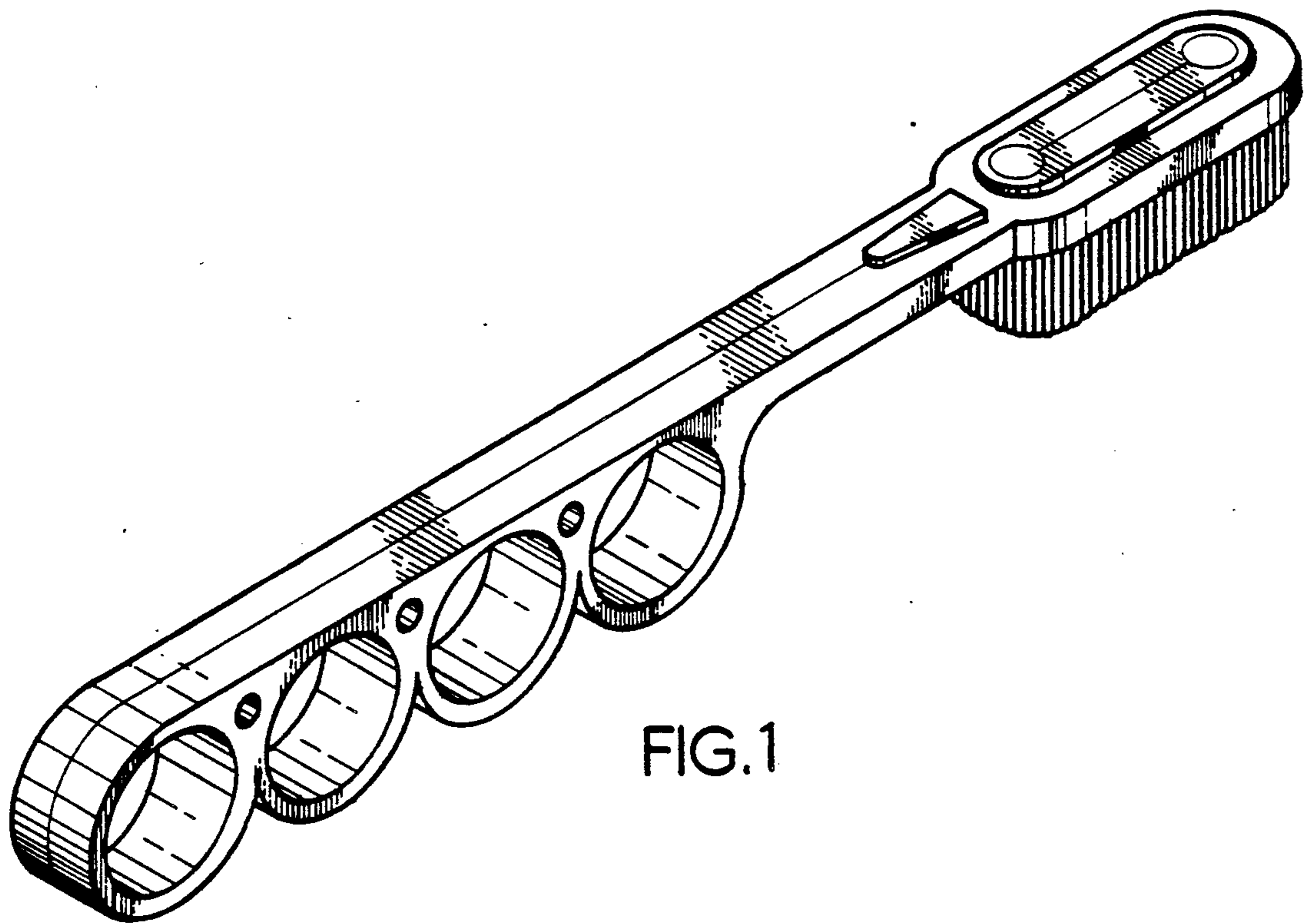


FIG. 1

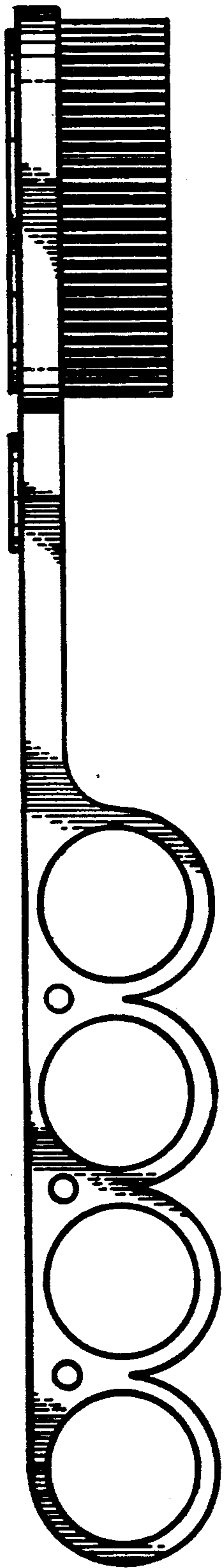


FIG. 2



FIG. 3

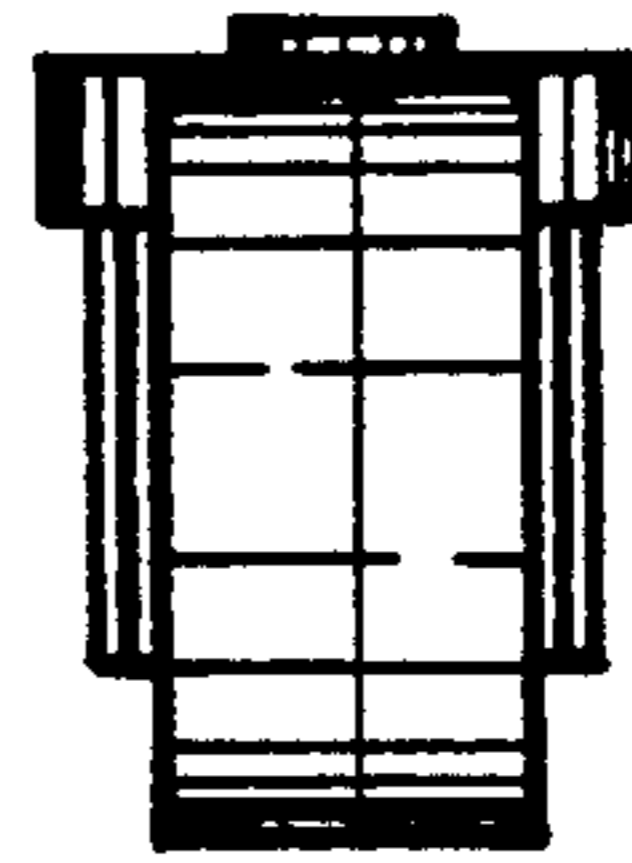


FIG. 4

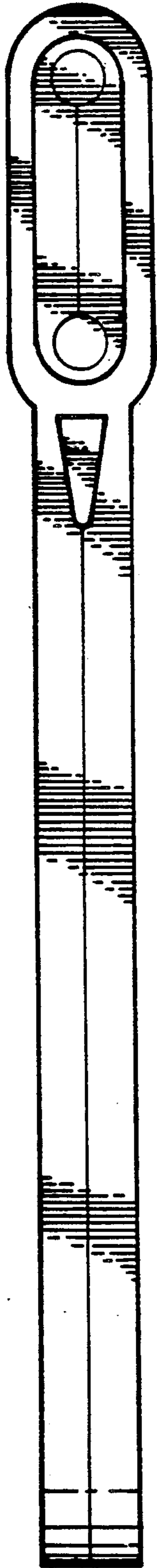


FIG. 5

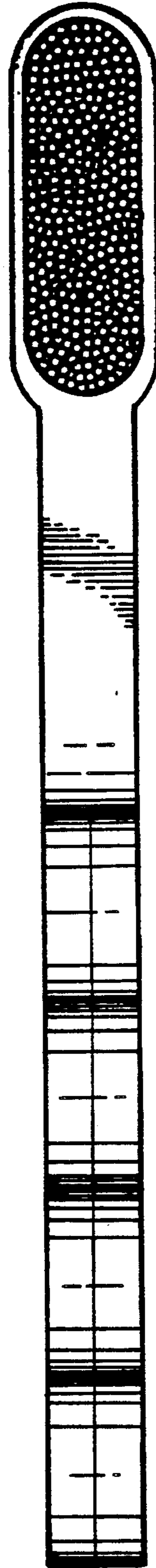


FIG. 6