



US00D324454S

United States Patent [19]

[11] Patent Number: **Des. 324,454**

Herron

[45] Date of Patent: **** Mar. 10, 1992**

[54] COMBINED ROTARY HAIR BRUSH AND STAND THEREFOR

[76] Inventor: **James R. Herron**, No. 9 Old Sterlington Rd., Apartment 1601, Monroe, La. 71203

[**] Term: **14 Years**

[21] Appl. No.: **487,230**

[22] Filed: **Mar. 2, 1990**

[52] U.S. Cl. **D4/102; D4/116**

[58] Field of Search **D4/100, 102, 116; D28/9, 10, 38, 99; 206/216; 15/21.2, 21.1, 22.1-22.4, 23, 27, 28, 159 R; 248/110, 13, 70.6**

[56] References Cited

U.S. PATENT DOCUMENTS

D. 248,411	2/1987	Castellanet	D9/455
D. 304,547	11/1989	Holewinski	D9/347
3,560,703	2/1971	Chedister	219/222
3,809,977	5/1974	Balamuth et al.	206/228 X
4,166,472	9/1979	Battaglia	219/222 X
4,197,608	4/1980	Holley et al.	132/118 X
5,000,199	3/1991	Kuranski et al.	132/112

FOREIGN PATENT DOCUMENTS

3635495	4/1988	Fed. Rep. of Germany	15/23
121874	9/1979	Japan	219/225
2172201	9/1986	United Kingdom	15/27

OTHER PUBLICATIONS

Hong Kong Household 3/84, p. 71: lower left Quadrant, Electric Toothbrushes & Stand.

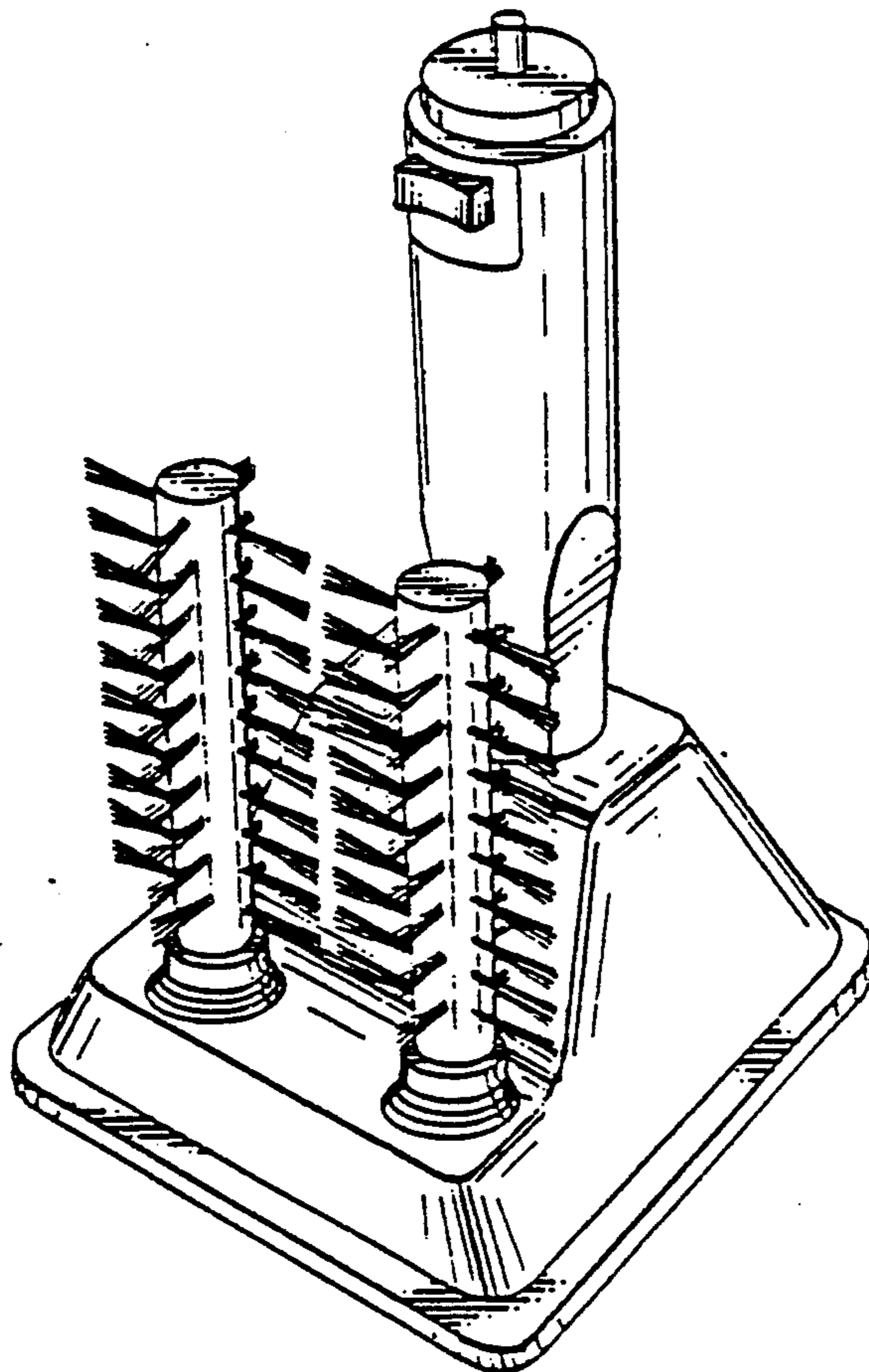
Primary Examiner—Bernard Ansher
Assistant Examiner—C. Tuttle
Attorney, Agent, or Firm—Crutsinger & Booth

[57] CLAIM

The ornamental design for a combined rotary hair brush and stand therefor, as shown and described.

DESCRIPTION

FIG. 1 is a top, front and right side perspective view of a combined rotary hair brush and stand therefor showing my new design;
FIG. 2 is a front elevational view thereof;
FIG. 3 is a rear elevational view thereof;
FIG. 4 is a top plan view thereof; and
FIG. 5 is a right side elevational view thereof, the side opposite being a mirror image of the side shown.



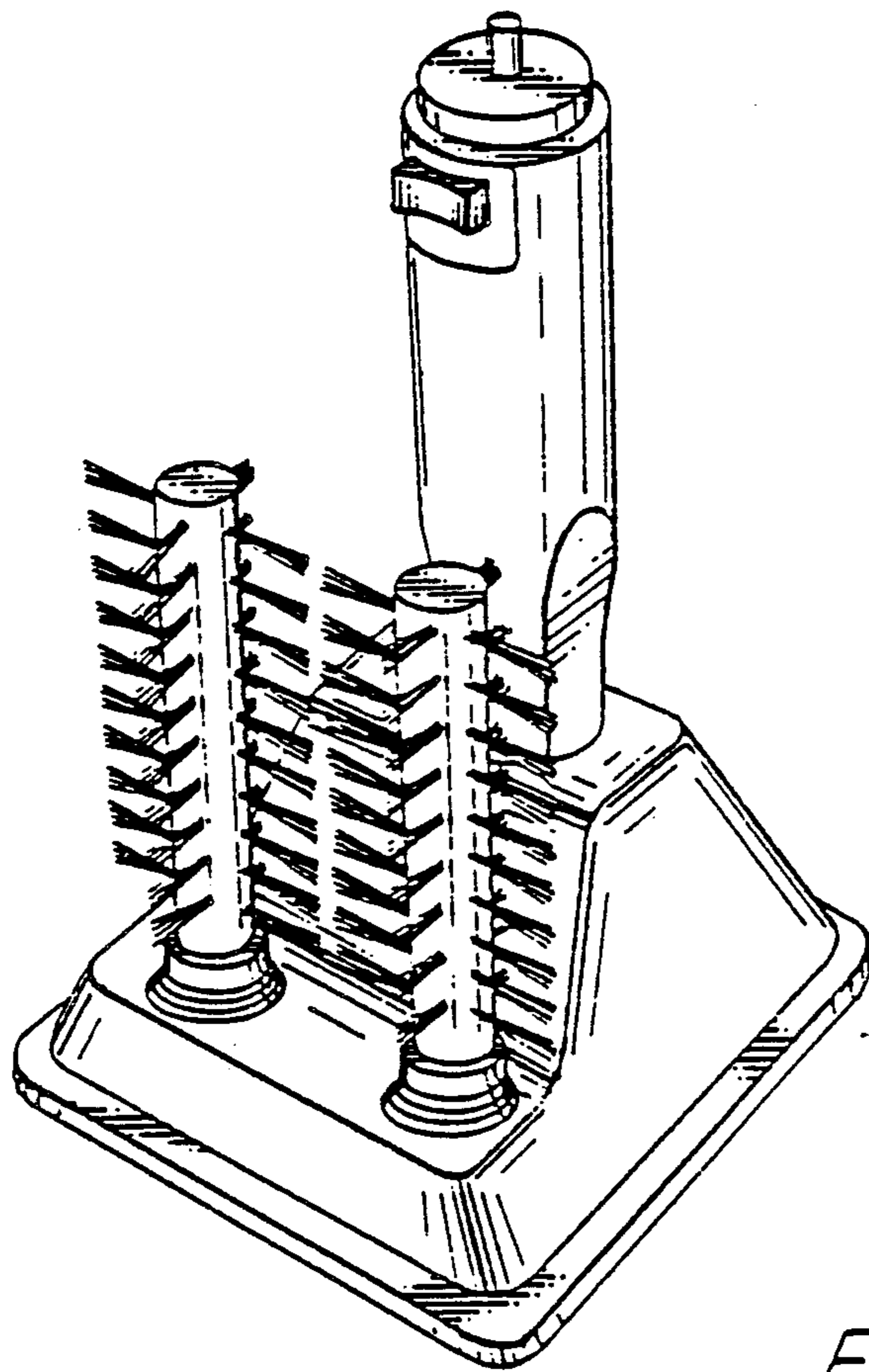


FIG. 1

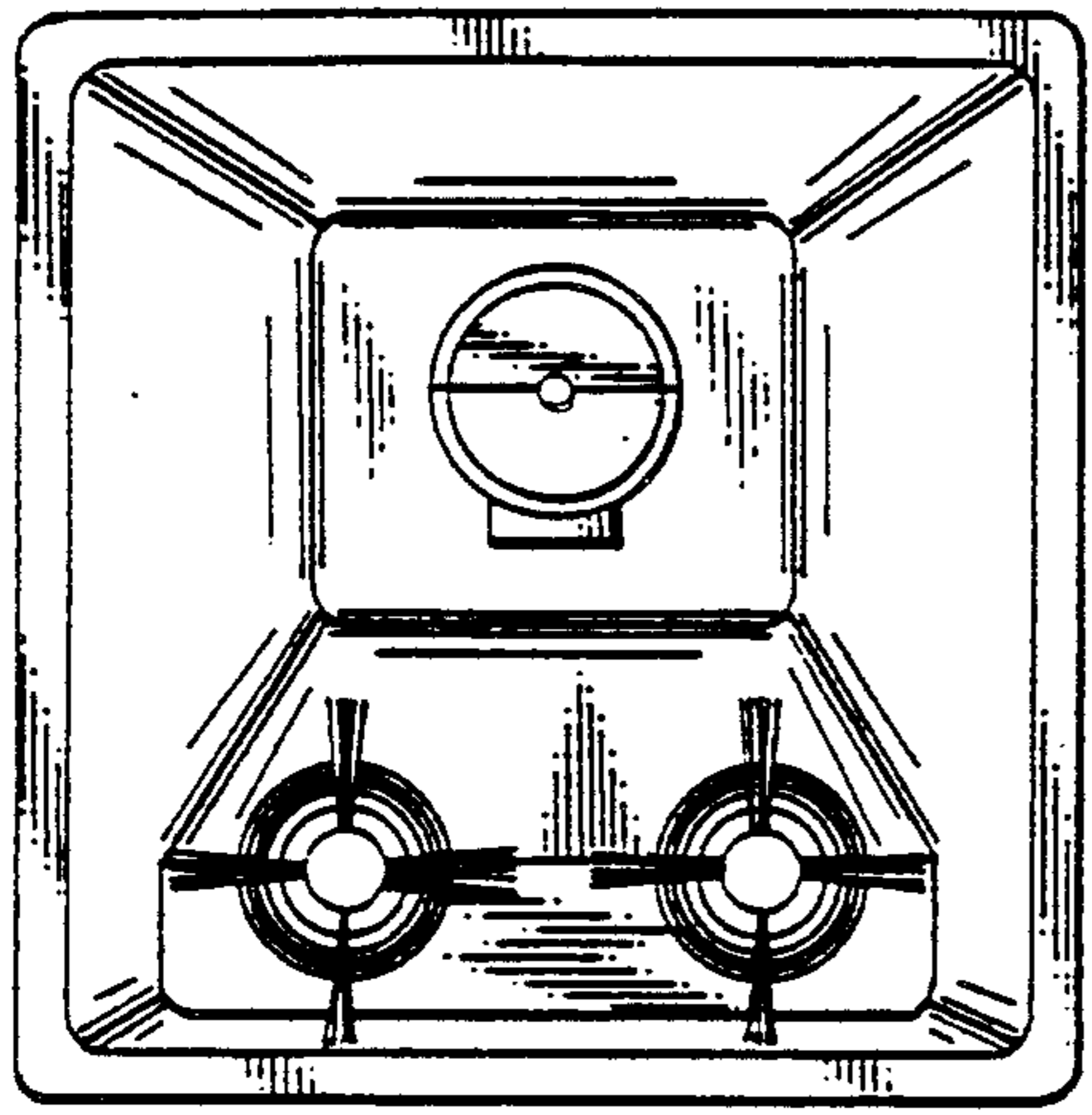


FIG. 4

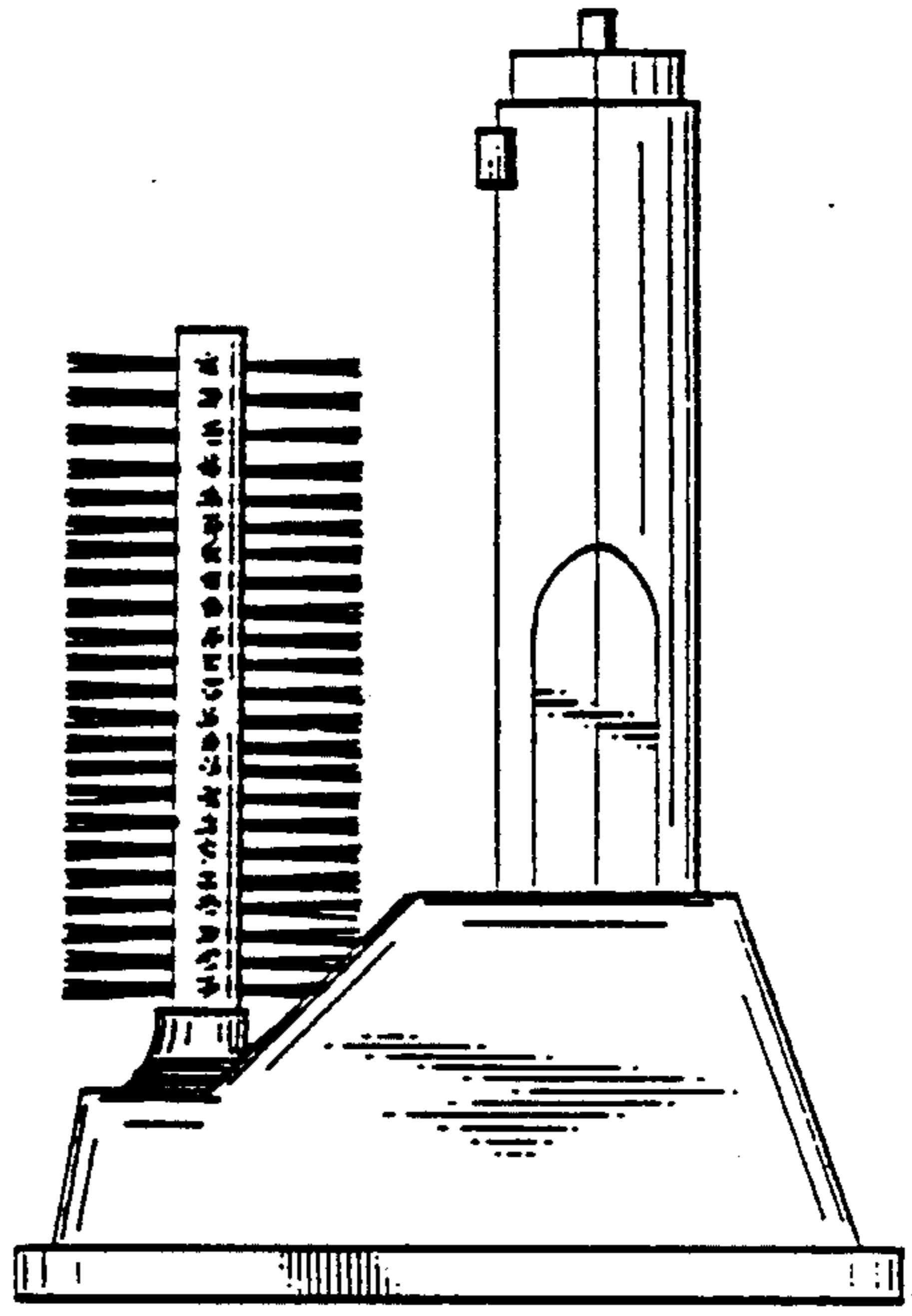


FIG. 5

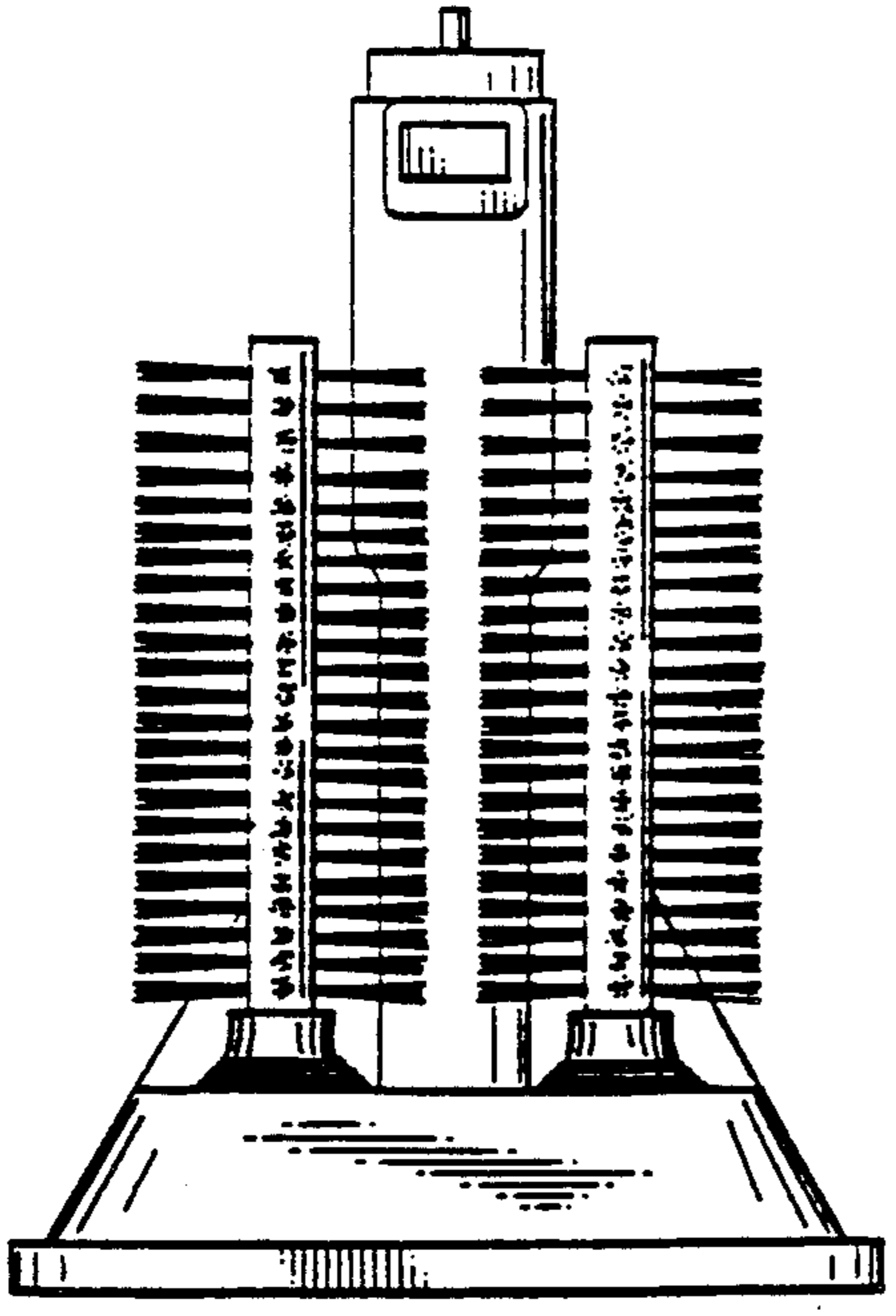


FIG. 2

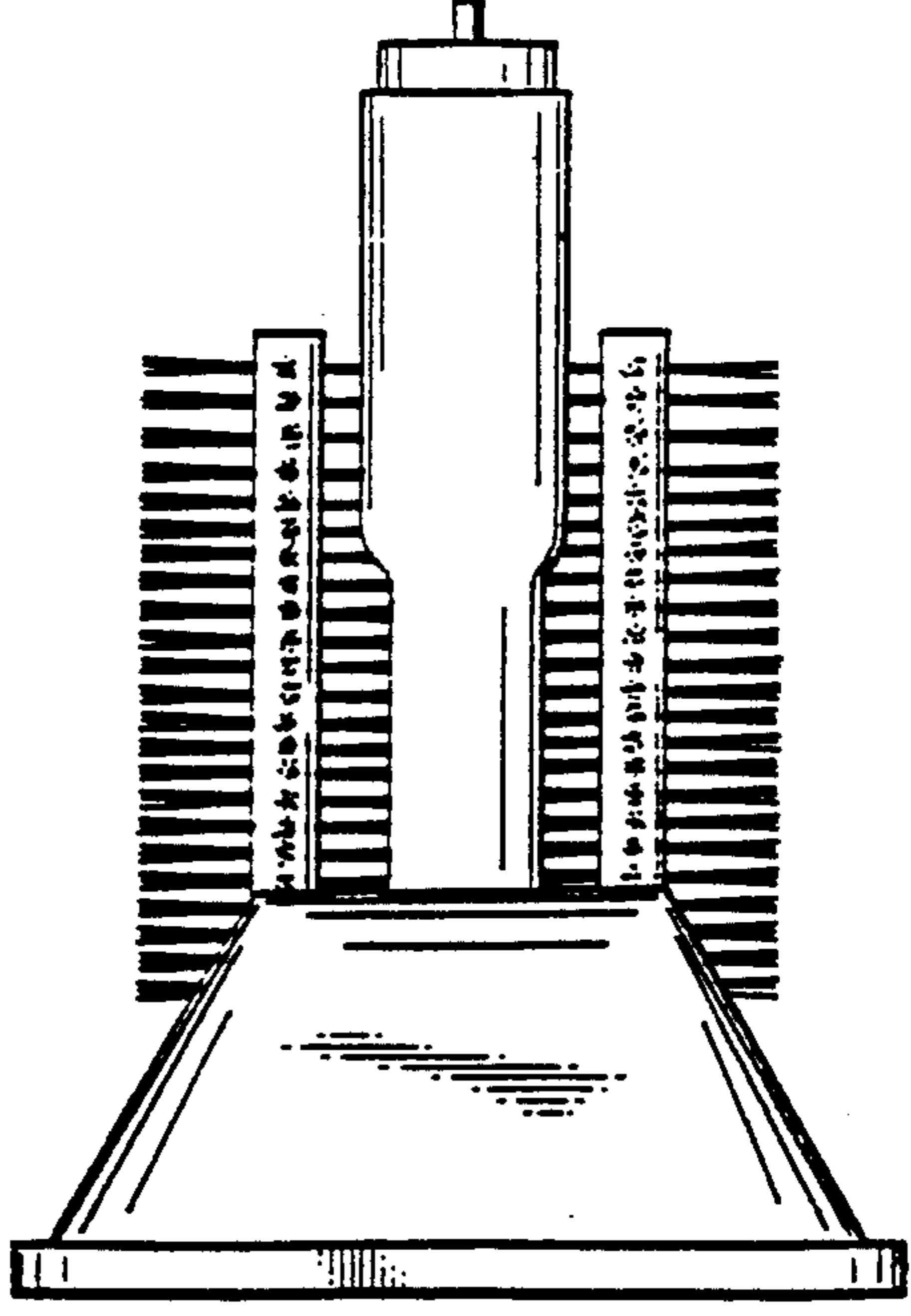


FIG. 3