



US00D324453S

United States Patent [19]

[11] Patent Number: Des. 324,453

DiSessa et al.

[45] Date of Patent: ** Mar. 10, 1992

[54] COMPUTER CARRYING CASE

[75] Inventors: Vincent DiSessa, Walled Lake, Mich.; Matthew D. Marhefka, Southampton, Pa.

[73] Assignee: Unisys Corporation, Detroit, Mich.

[**] Term: 14 Years

[21] Appl. No.: 319,553

[22] Filed: Mar. 6, 1989

[52] U.S. Cl. D3/74; D3/30.1; D3/42

[58] Field of Search D3/30.5, 33, 35, 42, D3/51, 52, 71, 76-79, 74; 224/908, 257, 258; 150/100, 107, 112; 190/109, 111; 206/581

[56] References Cited

U.S. PATENT DOCUMENTS

D. 273,534	4/1984	Weinreb	D3/53
D. 293,506	1/1988	Kappel et al.	D3/33
D. 293,623	1/1988	Staley	D3/33
D. 317,379	6/1991	Whitworth	D3/74
2,508,283	5/1950	Nelson et al.	D3/74 X
3,130,823	4/1964	Antonious	206/581 X

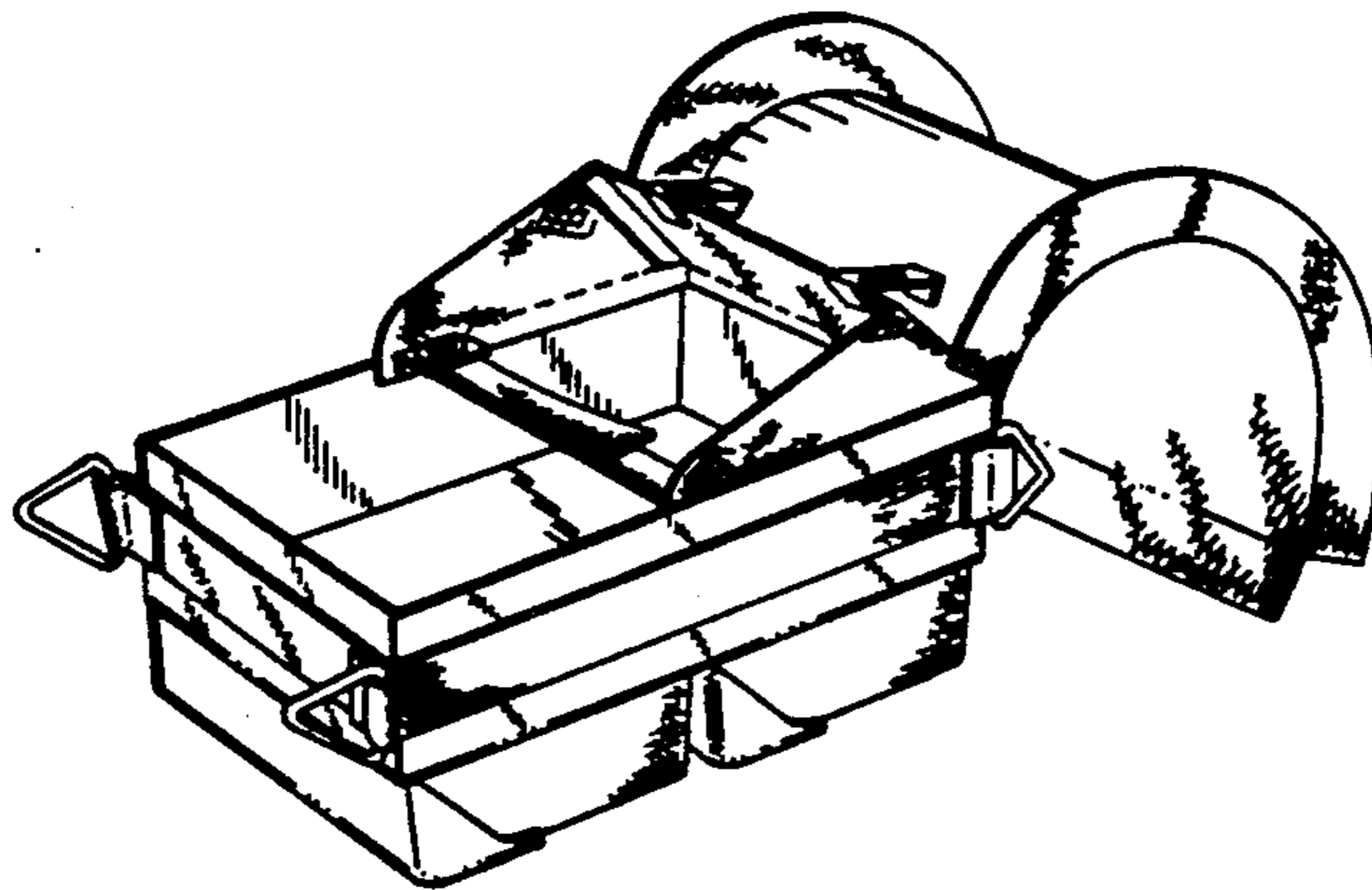
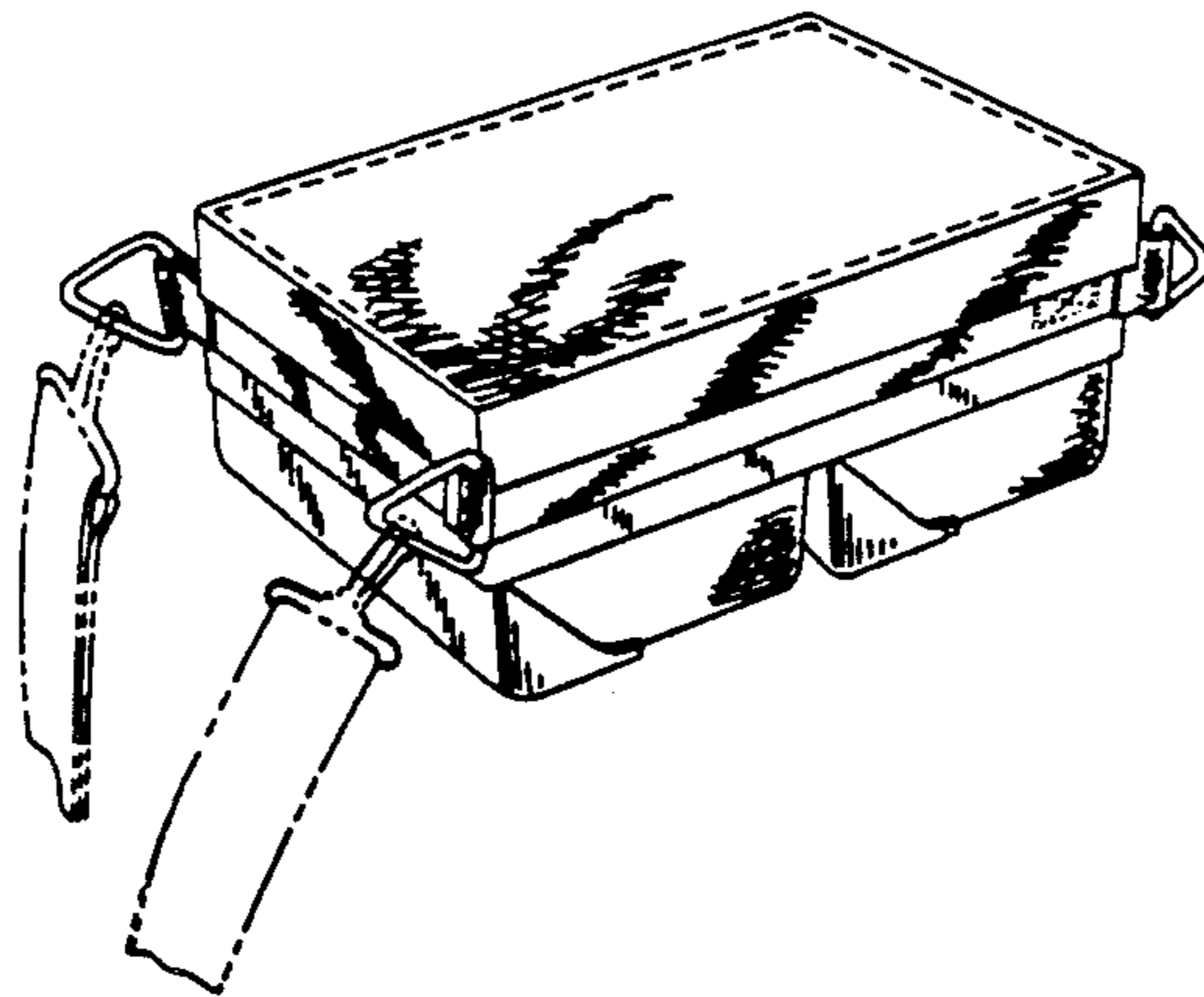
Primary Examiner—Wallace R. Burke
Assistant Examiner—Pam Schmidt
Attorney, Agent, or Firm—Nathan Cass; Mark T. Starr

[57] CLAIM

The ornamental design for a computer carrying case, as shown and described.

DESCRIPTION

FIG. 1 is a top perspective view of a computer carrying case showing our new design, the broken lines which represent portions of a strap are shown for illustrative purposes only, forming no part of the claimed design; FIG. 2 is a rear elevational view thereof; FIG. 3 is a side elevational view thereof, the undisclosed side being substantially the same; FIG. 4 is a top plan view thereof; FIG. 5 is a bottom plan view thereof; FIG. 6 is a front elevational view thereof; FIG. 7 is a top perspective thereof, in an opened position; FIG. 8 is a front elevational view thereof; FIG. 9 is a right side elevational view thereof, the undisclosed left side being substantially the same; FIG. 10 is a rear elevational view thereof; and FIG. 11 is a top elevational view thereof. The broken lines in FIGS. 1, 3 and 7 represent conventional stitching. The cross-lining in all views which represents conventional fabric is partially shown for ease of illustration only and is understood to cover the entire area as indicated.



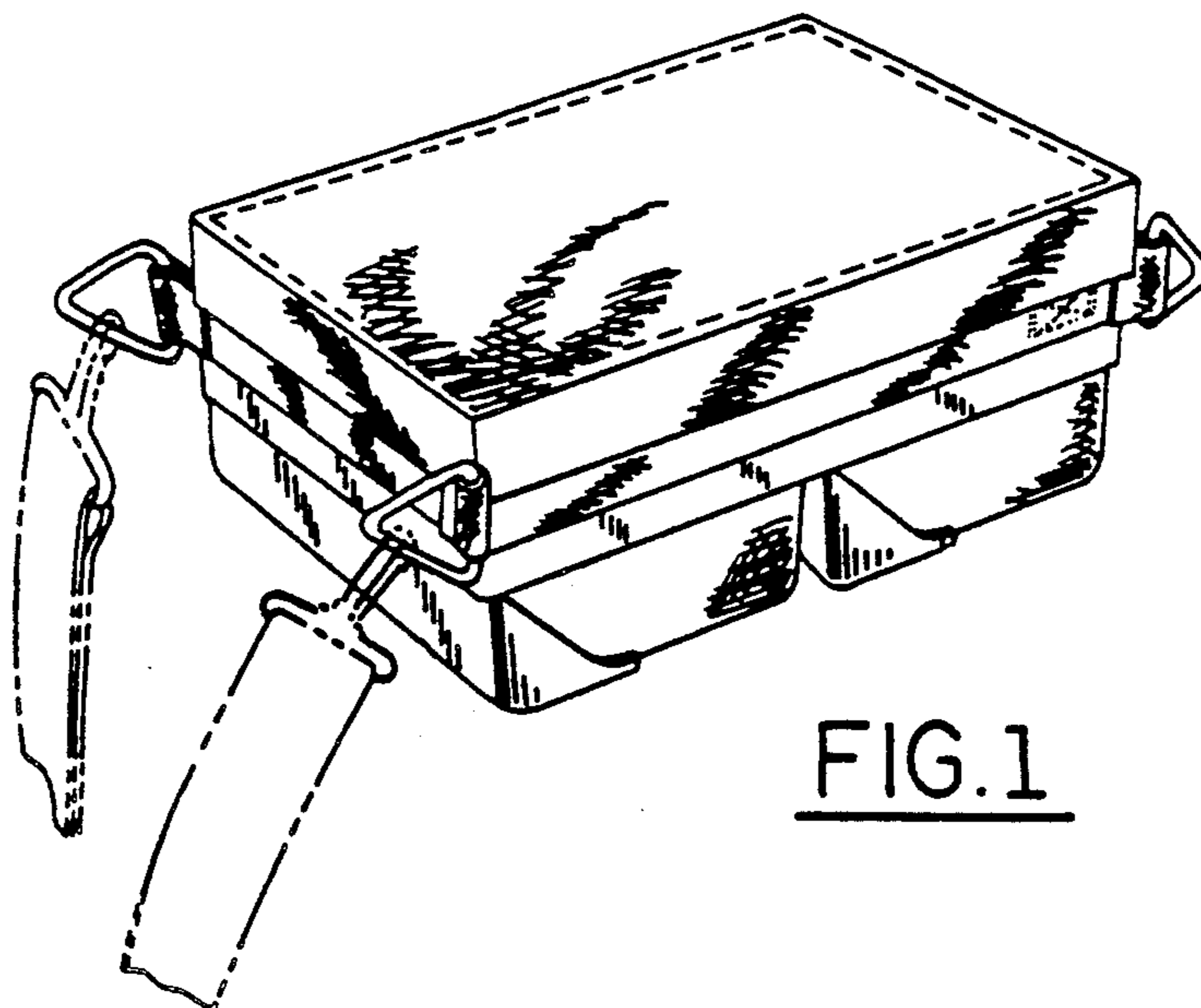


FIG. 1

FIG. 2

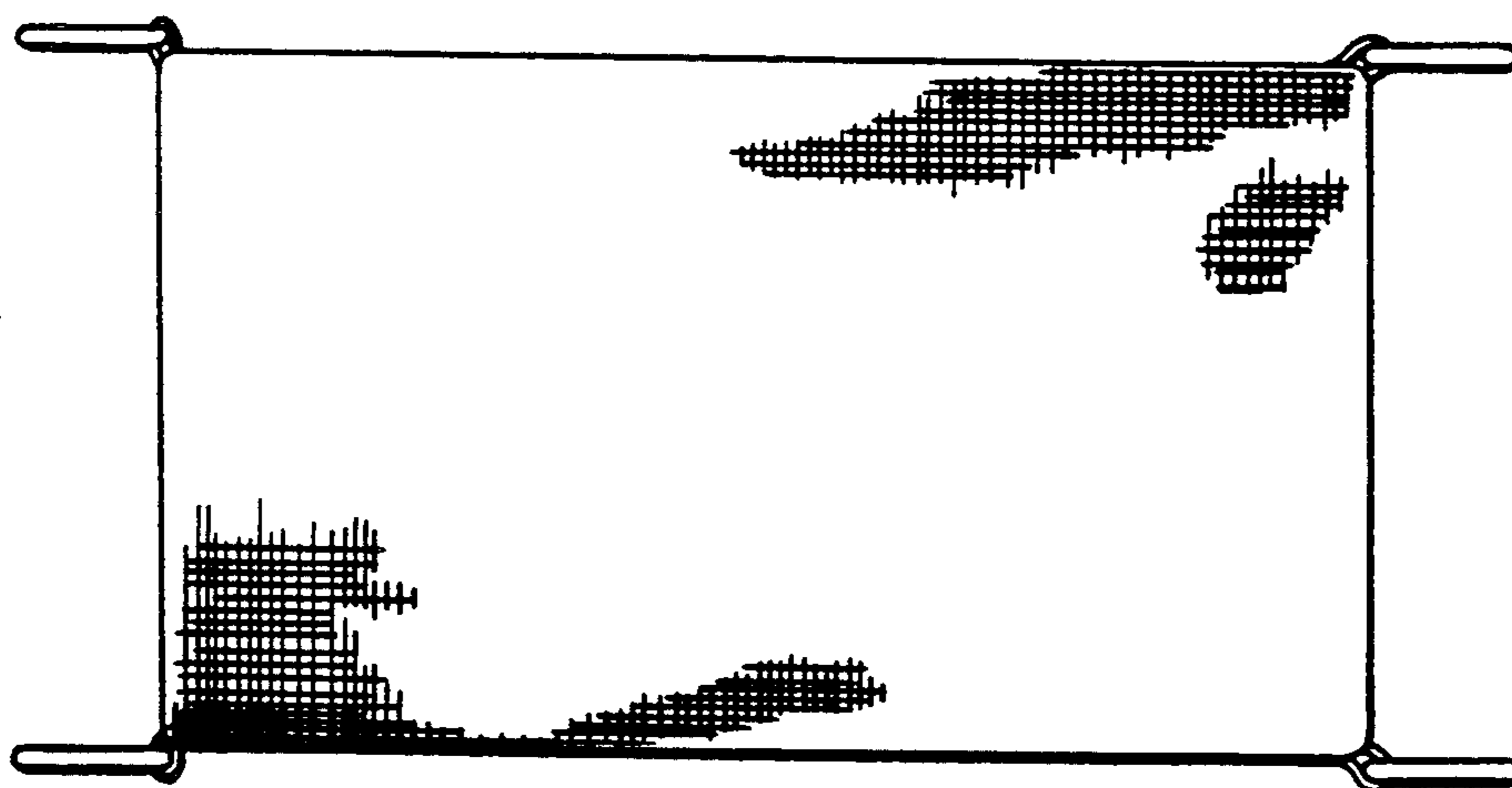


FIG. 3

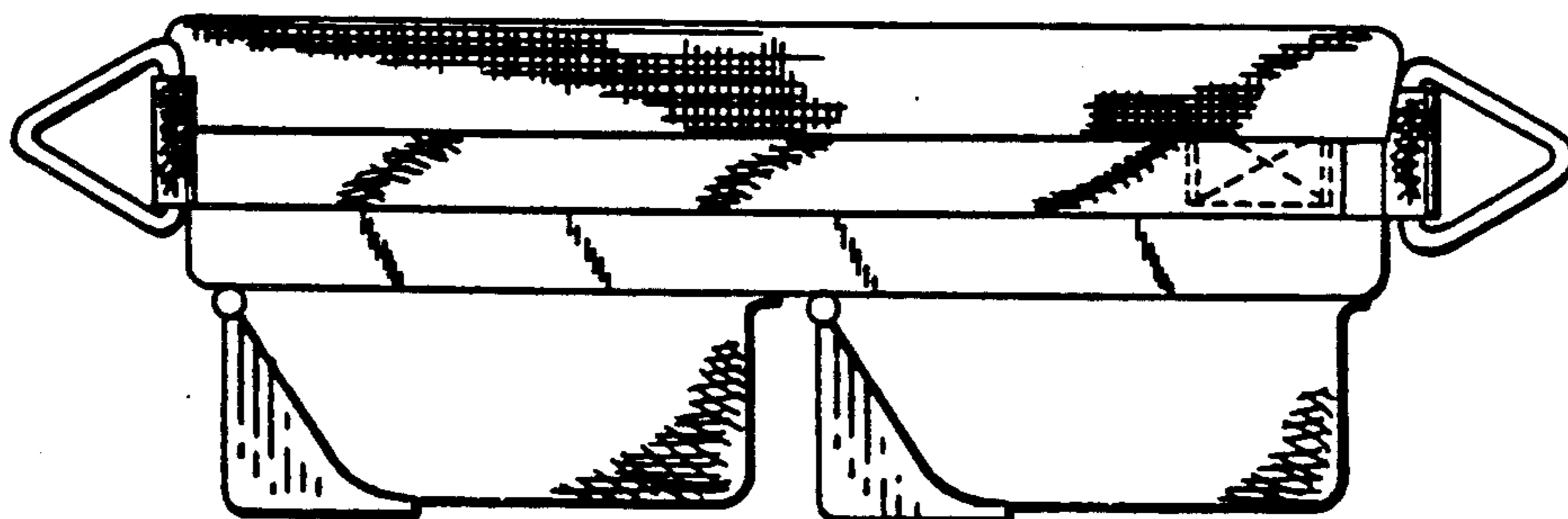


FIG. 4

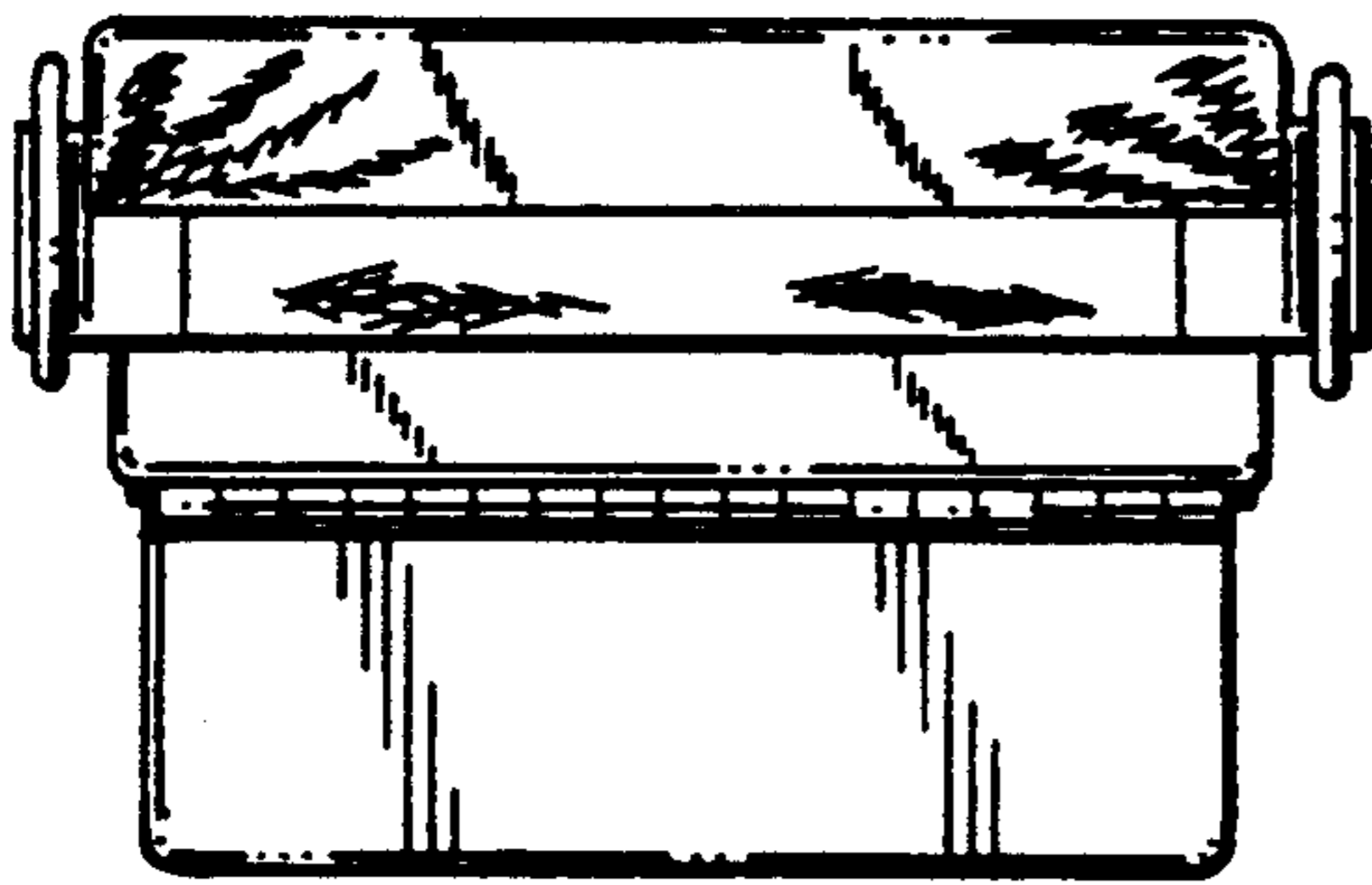


FIG. 5

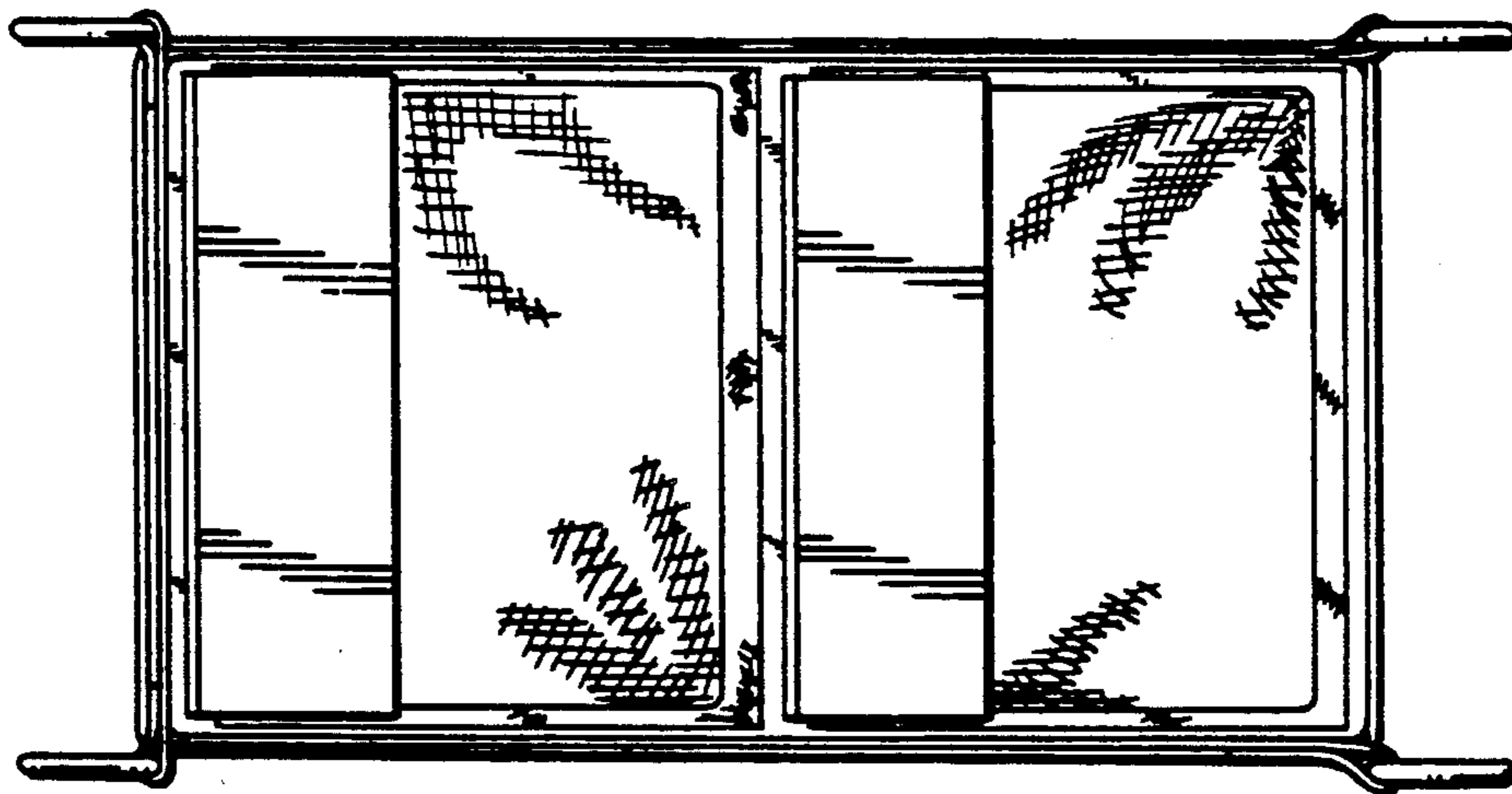
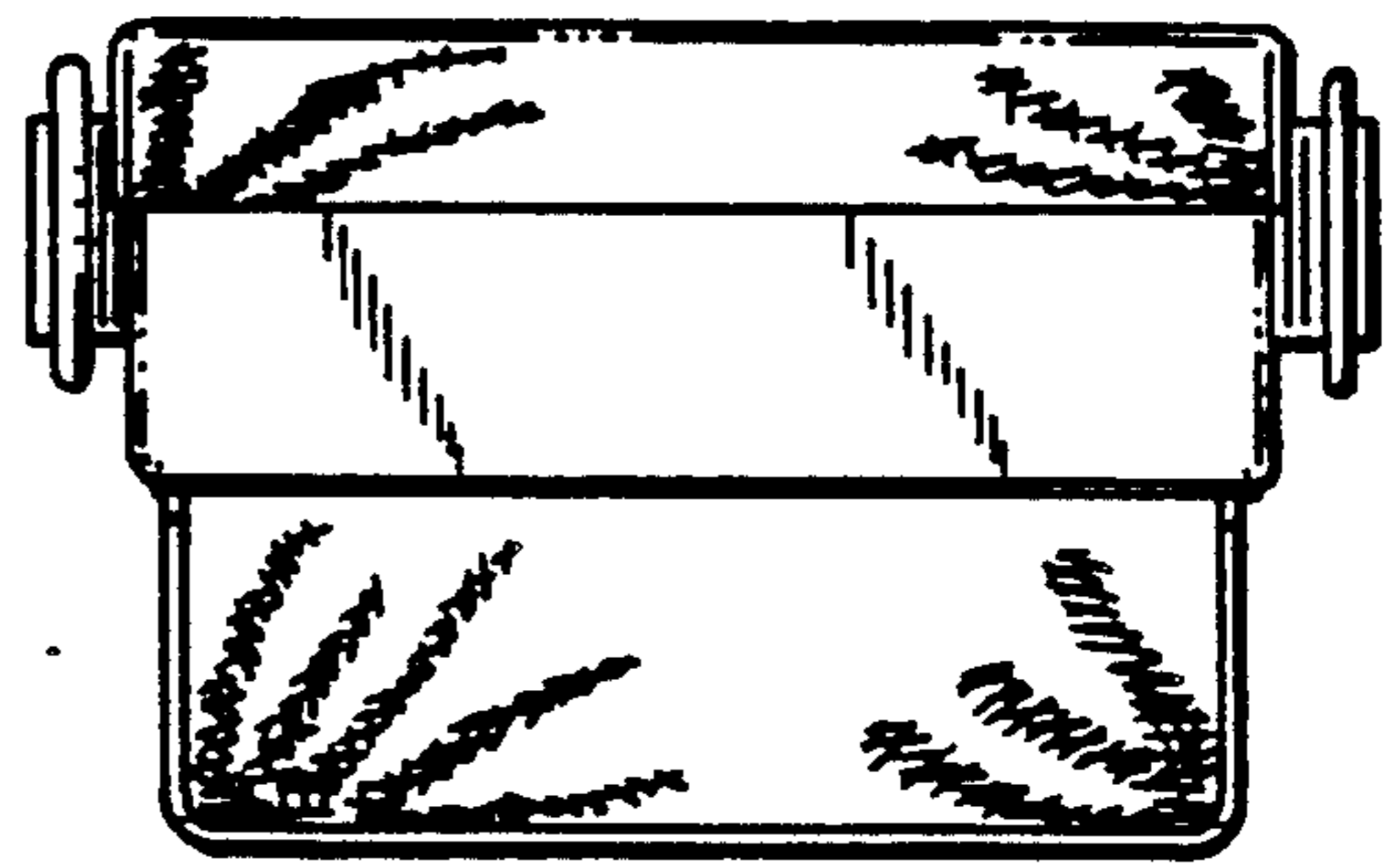


FIG. 6

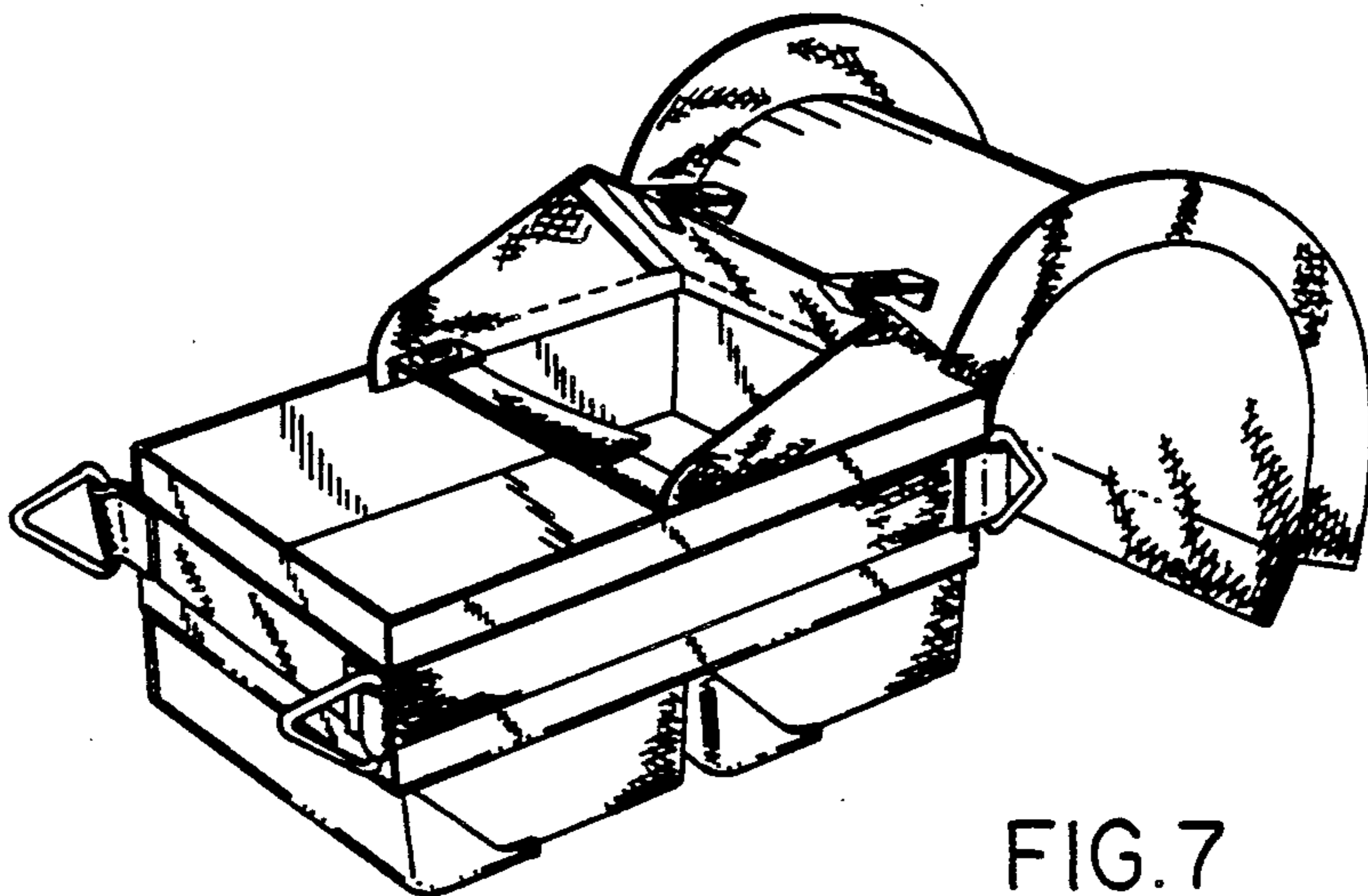


FIG. 7

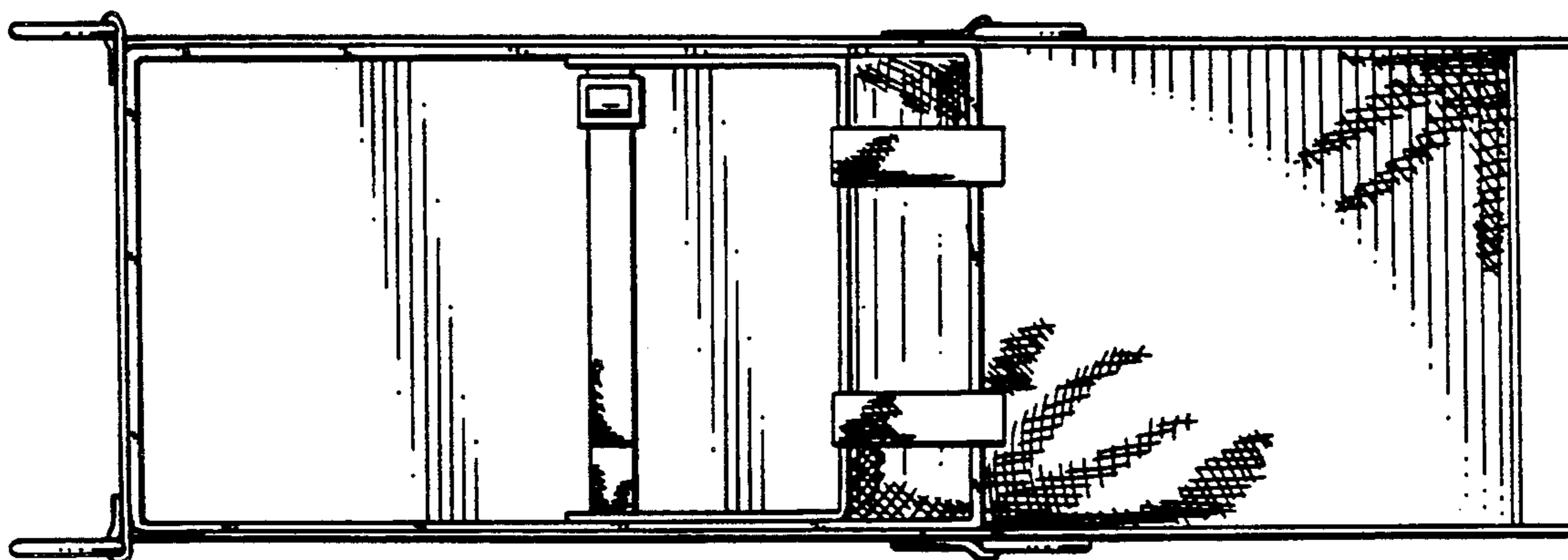


FIG. 8

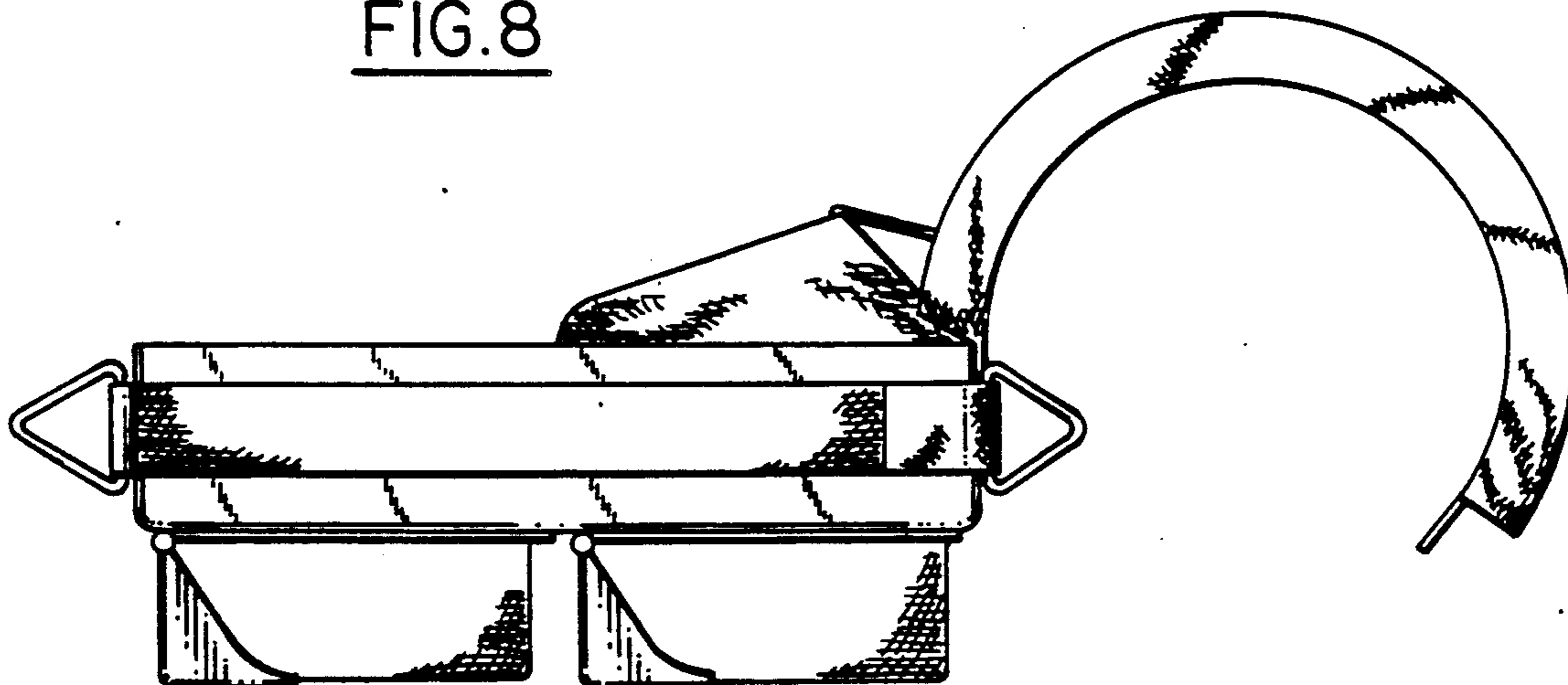


FIG. 9

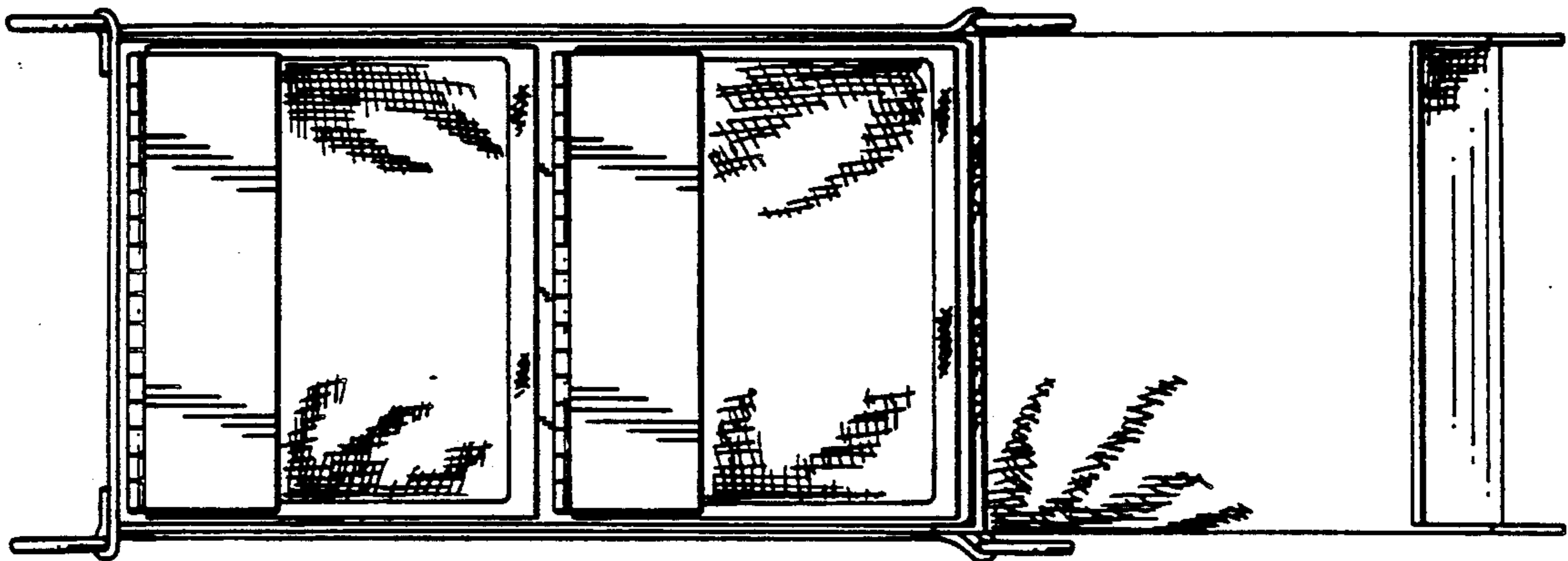


FIG. 10

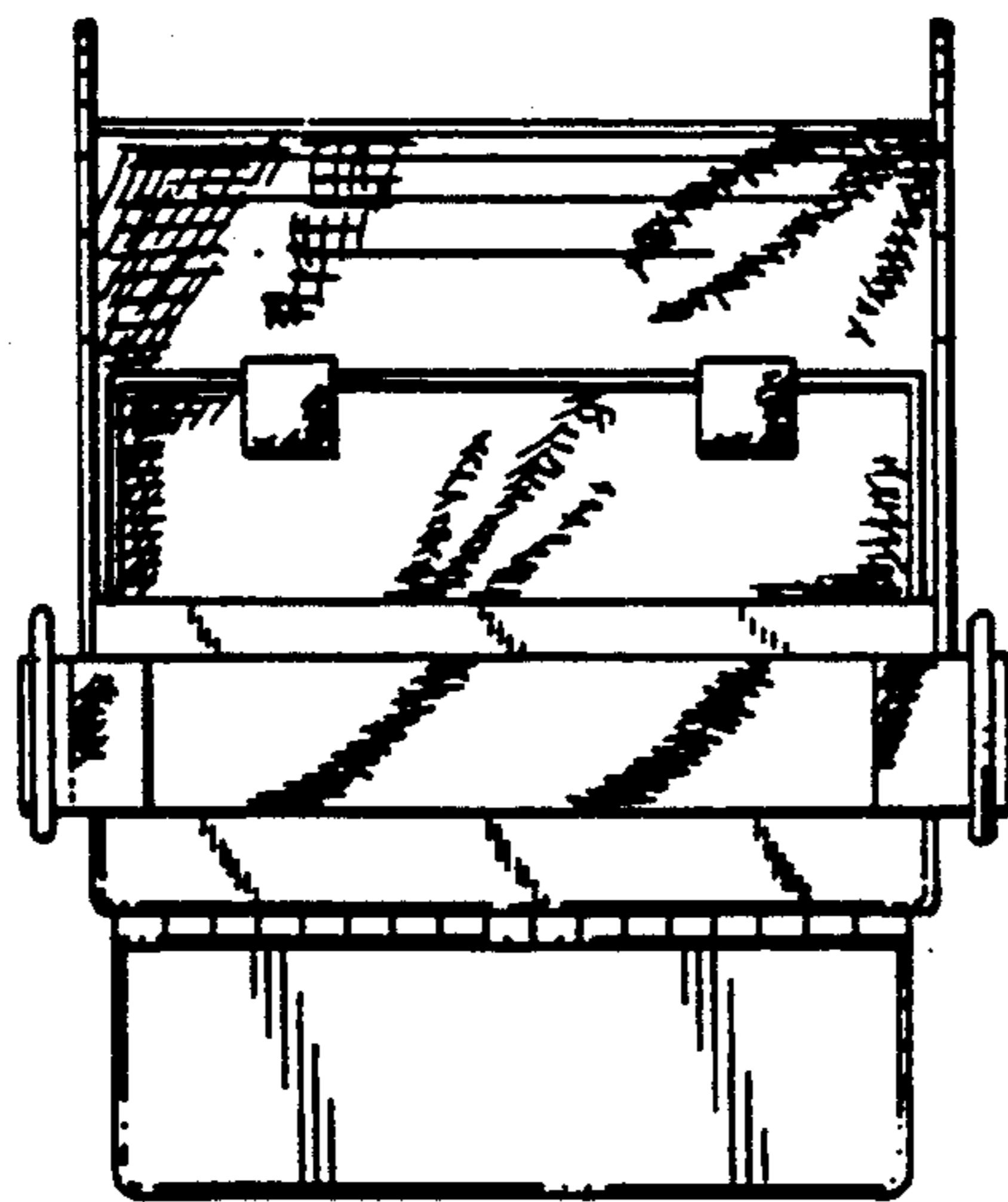


FIG. 11