



US00D324452S

United States Patent [19]
Stillwagon

[11] **Patent Number: Des. 324,452**
[45] **Date of Patent: ** Mar. 10, 1992**

[54] **KEY HOLDER**

[76] Inventor: **Woodrow C. Stillwagon**, 7610 Ball Mill Rd., Atlanta, Ga. 30338

[**] Term: **14 Years**

[21] Appl. No.: **891,490**

[22] Filed: **Aug. 1, 1986**

[52] U.S. Cl. **D3/61**

[58] **Field of Search** **D3/61, 62, 63, 64, 65;**
206/37.1, 37.2, 37.3, 37.4, 37.5, 37.6, 37.7, 37.8;
70/456 R, 456 B

[56] **References Cited**

U.S. PATENT DOCUMENTS

- D. 271,443 11/1983 MacDonald D3/61
- 3,906,763 9/1975 Bochory D3/61
- 4,776,191 10/1988 MacDonald D3/61

OTHER PUBLICATIONS

Hong Kong Enterprise, Item #889, p. 403, 4/83.

Primary Examiner—Bruce W. Dunkins
Assistant Examiner—Antoine D. Davis
Attorney, Agent, or Firm—Erwin Doerr

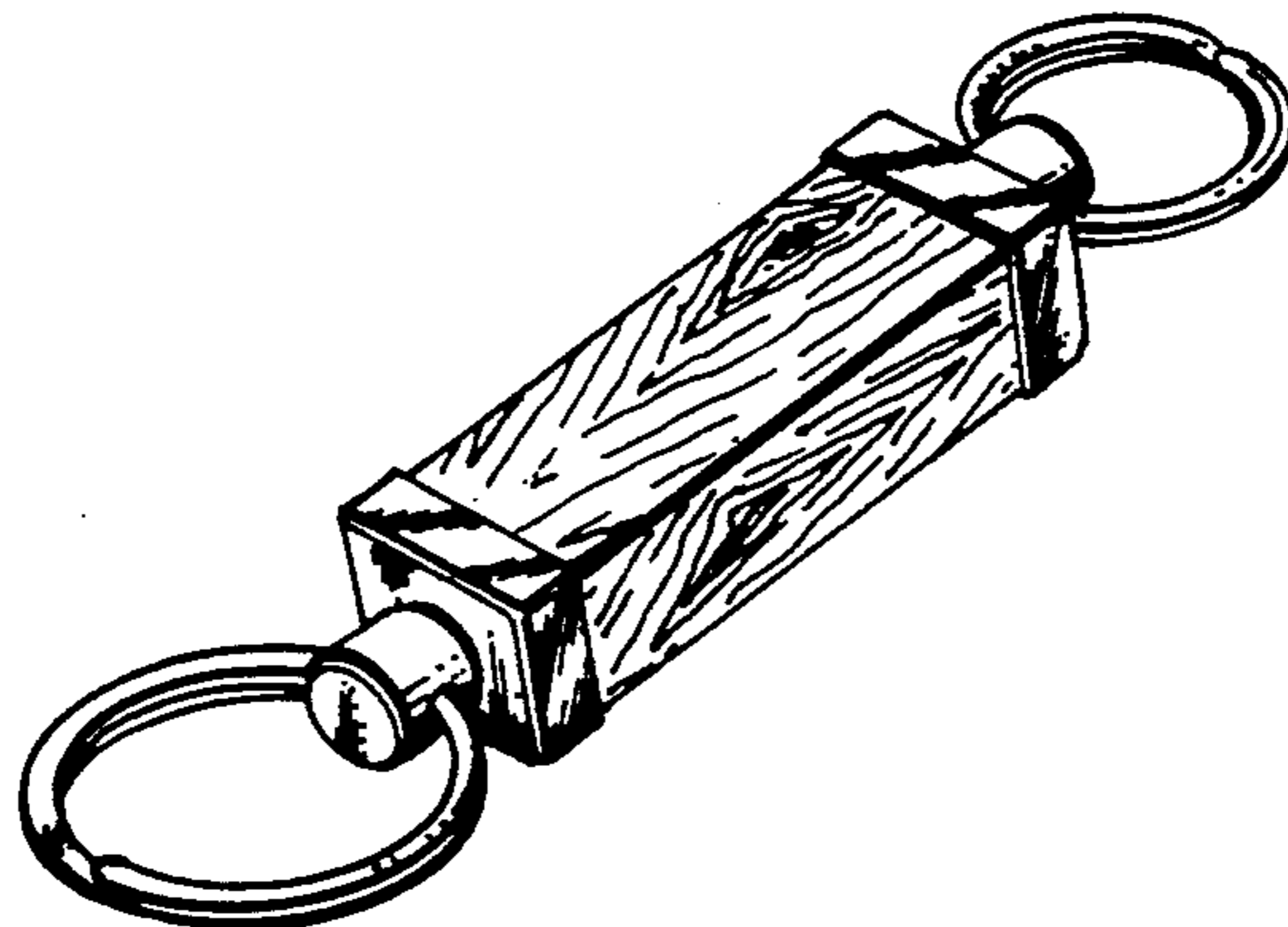
[57] **CLAIM**

The ornamental design for a key holder, as shown and described.

DESCRIPTION

FIG. 1 is a perspective view of a key holder showing my new design;

FIG. 2 is a side elevational view, showing one of two identical sides thereof;
 FIG. 3 is a plan view;
 FIG. 4 is a side elevational view, showing one of two identical sides thereof;
 FIG. 5 is a plan view;
 FIG. 6 is a perspective view shown in exploded condition;
 FIG. 7 is a perspective view of a key holder showing a second embodiment of my new design in exploded condition;
 FIG. 8 is a side elevational view of a key holder showing a third embodiment of my new design in assembled condition;
 FIG. 9 is a side elevational view, showing one of two identical sides thereof;
 FIG. 10 is a plan view thereof;
 FIG. 11 is a plan view thereof;
 FIG. 12 is a perspective view thereof, shown in exploded condition;
 FIG. 13 is a perspective view of a key holder showing a fourth embodiment of my new design shown in exploded condition;
 FIG. 14 is a perspective view of a key holder showing a fifth embodiment of my new design shown in assembled condition;
 FIG. 15 is a perspective view of a key holder showing a sixth embodiment of my new design shown in exploded condition;
 FIG. 16 is a perspective view of FIG. 14, shown in exploded condition;
 FIG. 17 is a elevational view thereof;
 FIG. 18 is a plan view thereof; and
 FIG. 19 is a plan view thereof.



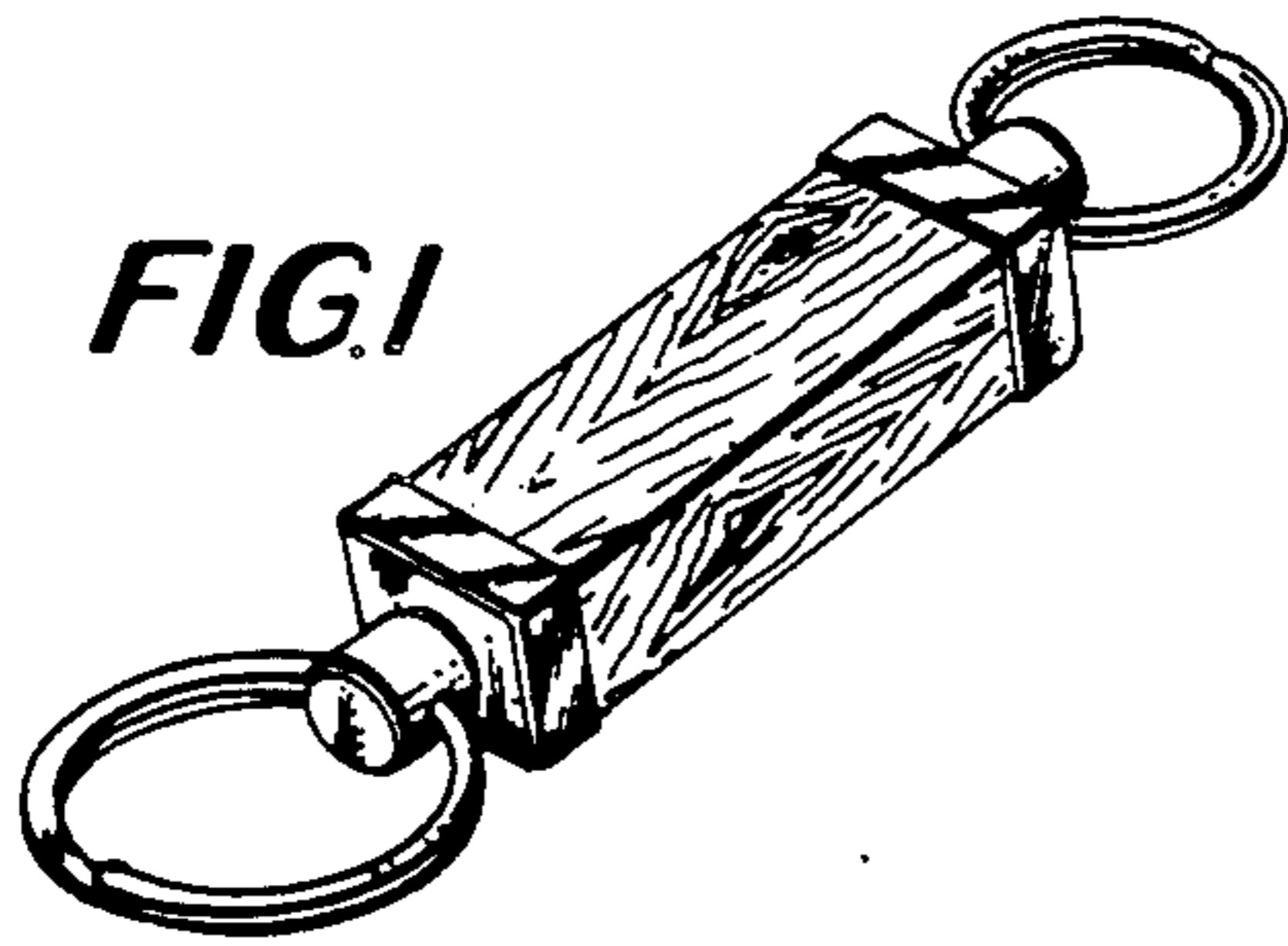


FIG. 1



FIG. 2

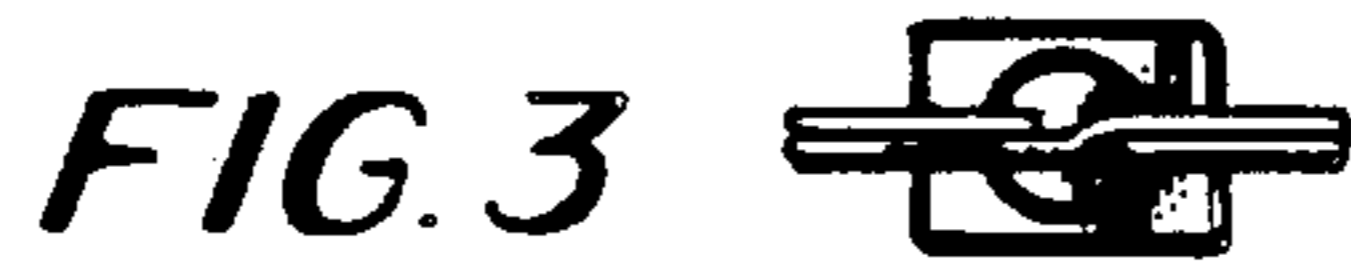


FIG. 3



FIG. 4

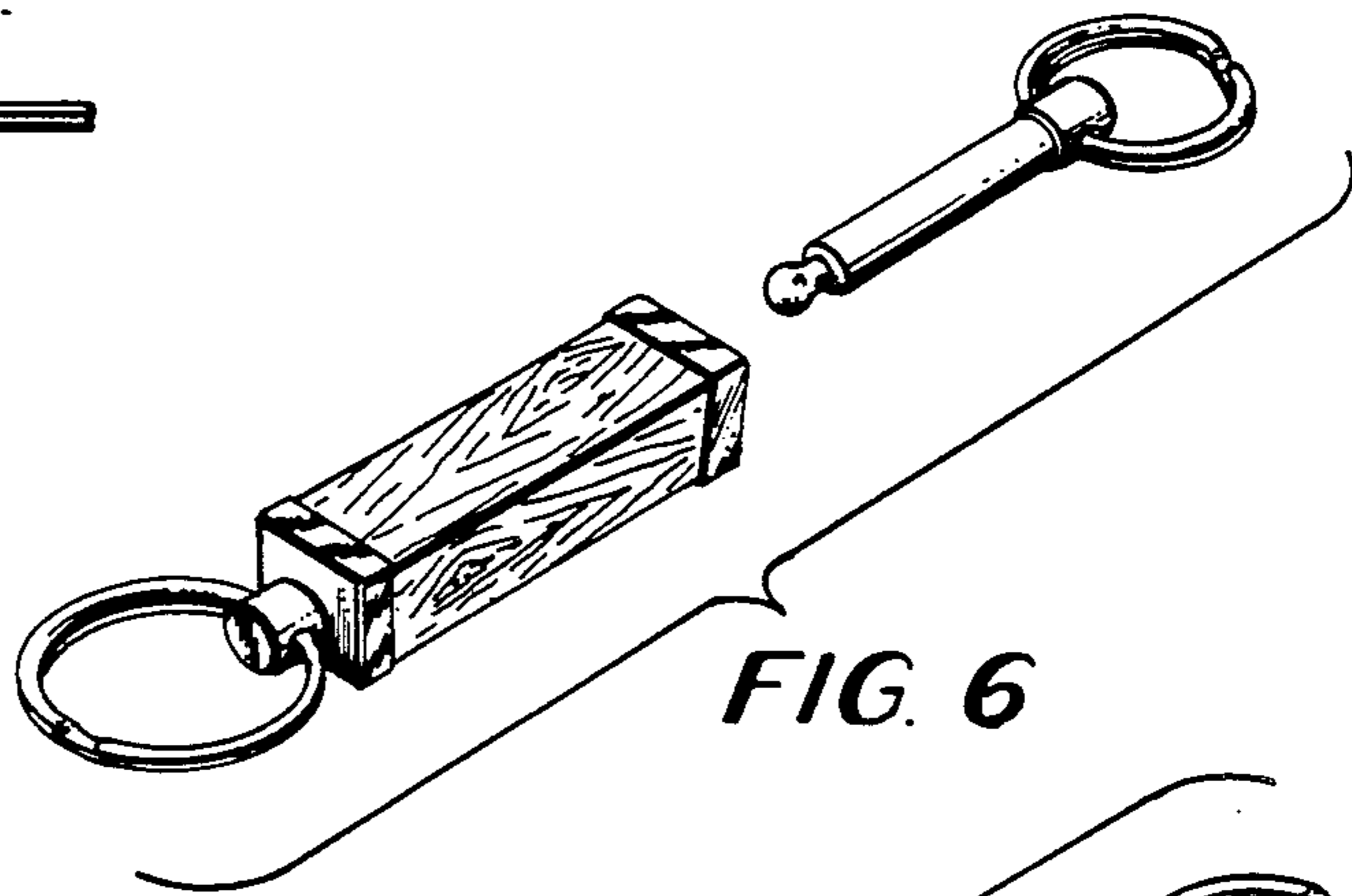


FIG. 6



FIG. 5

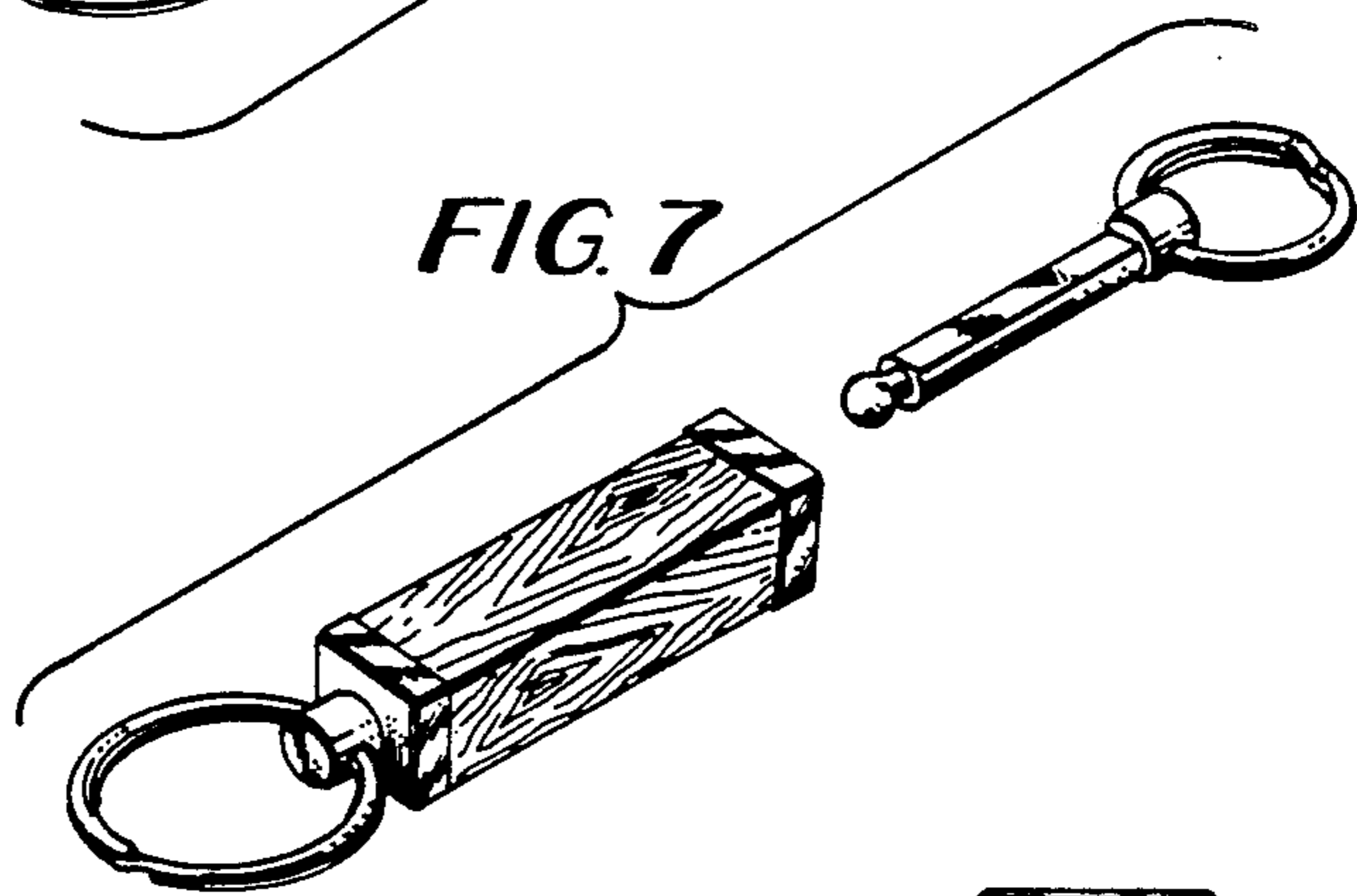


FIG. 7

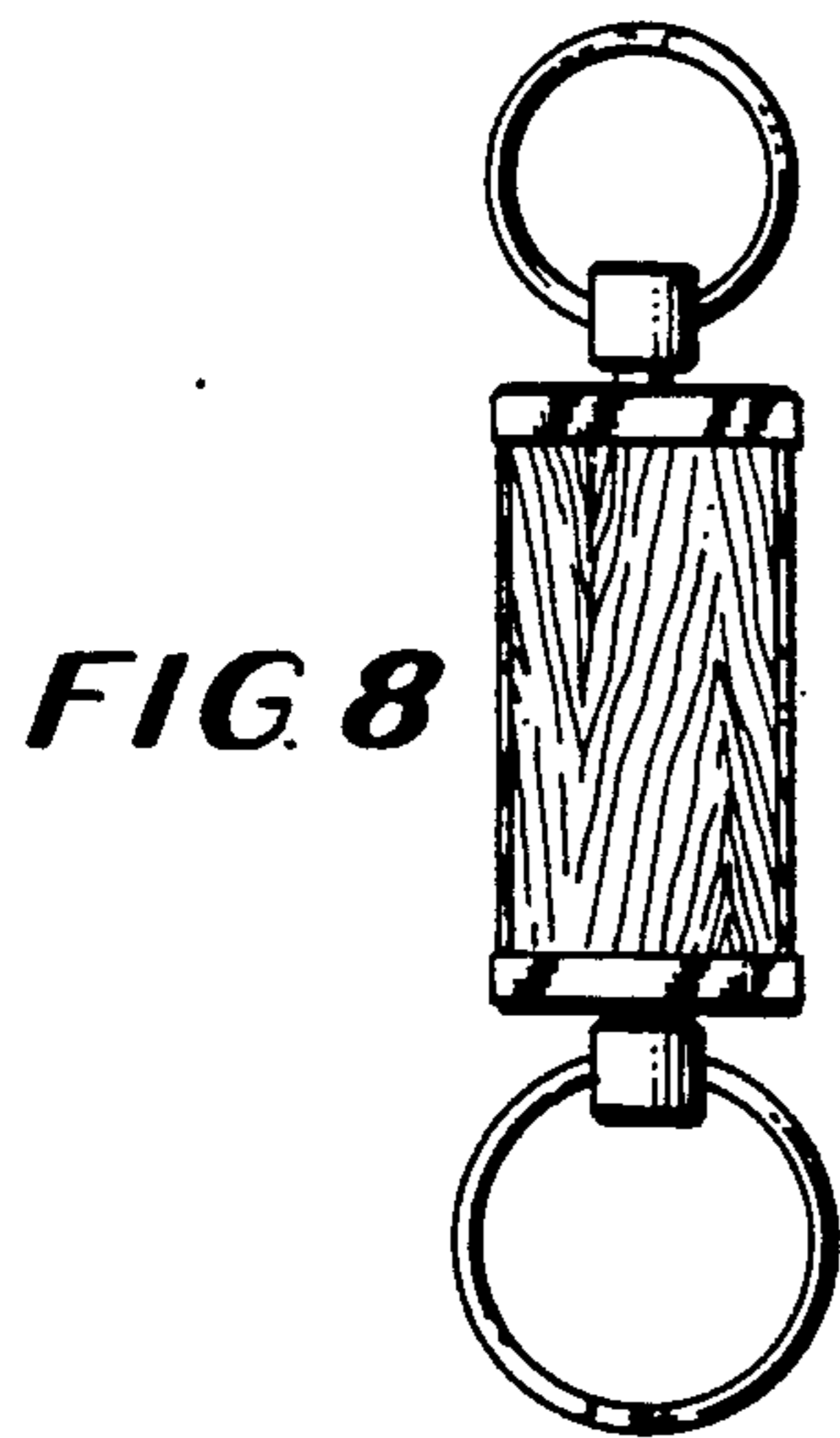


FIG. 8



FIG. 10



FIG. 9



FIG. 11

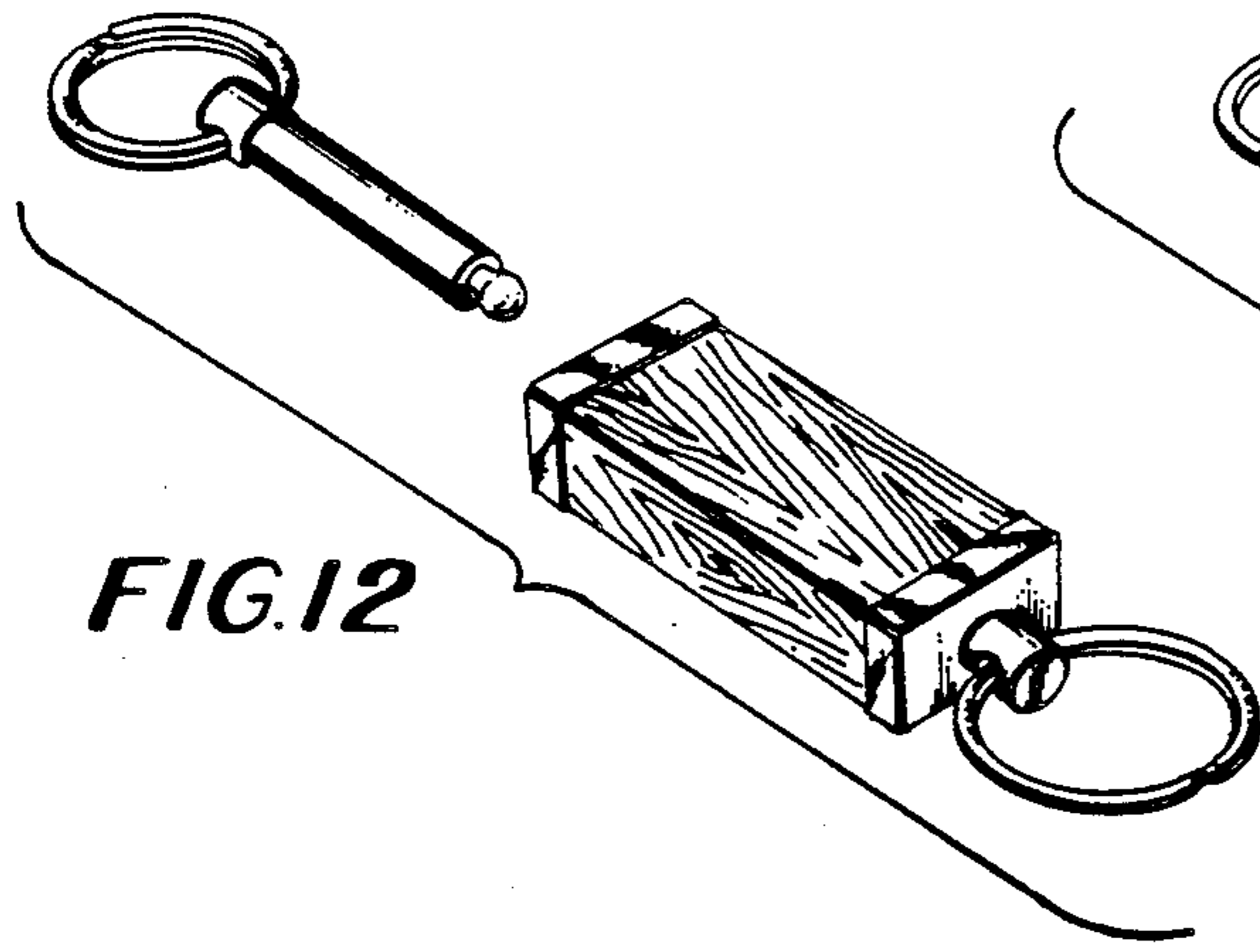


FIG. 12

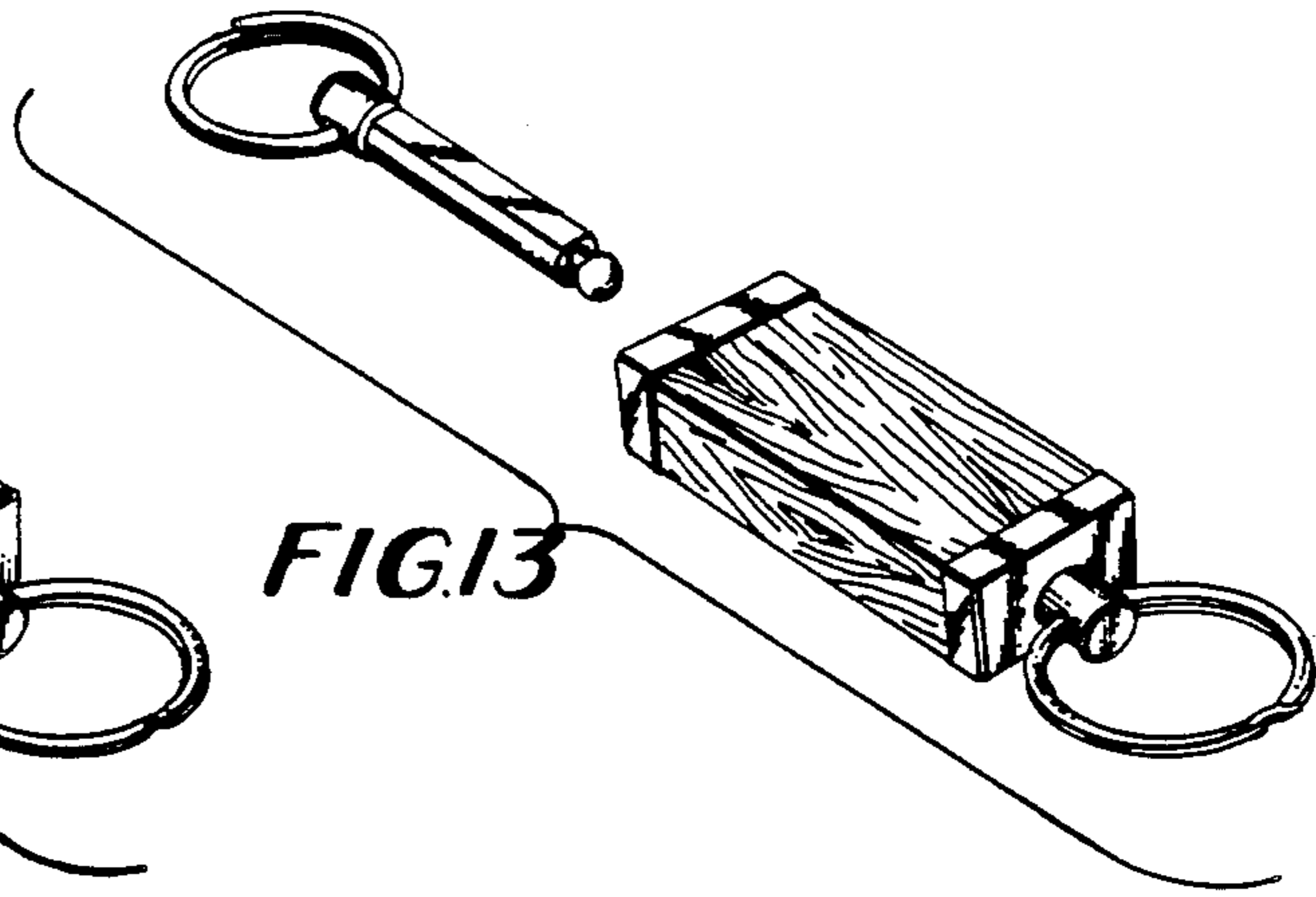


FIG. 13

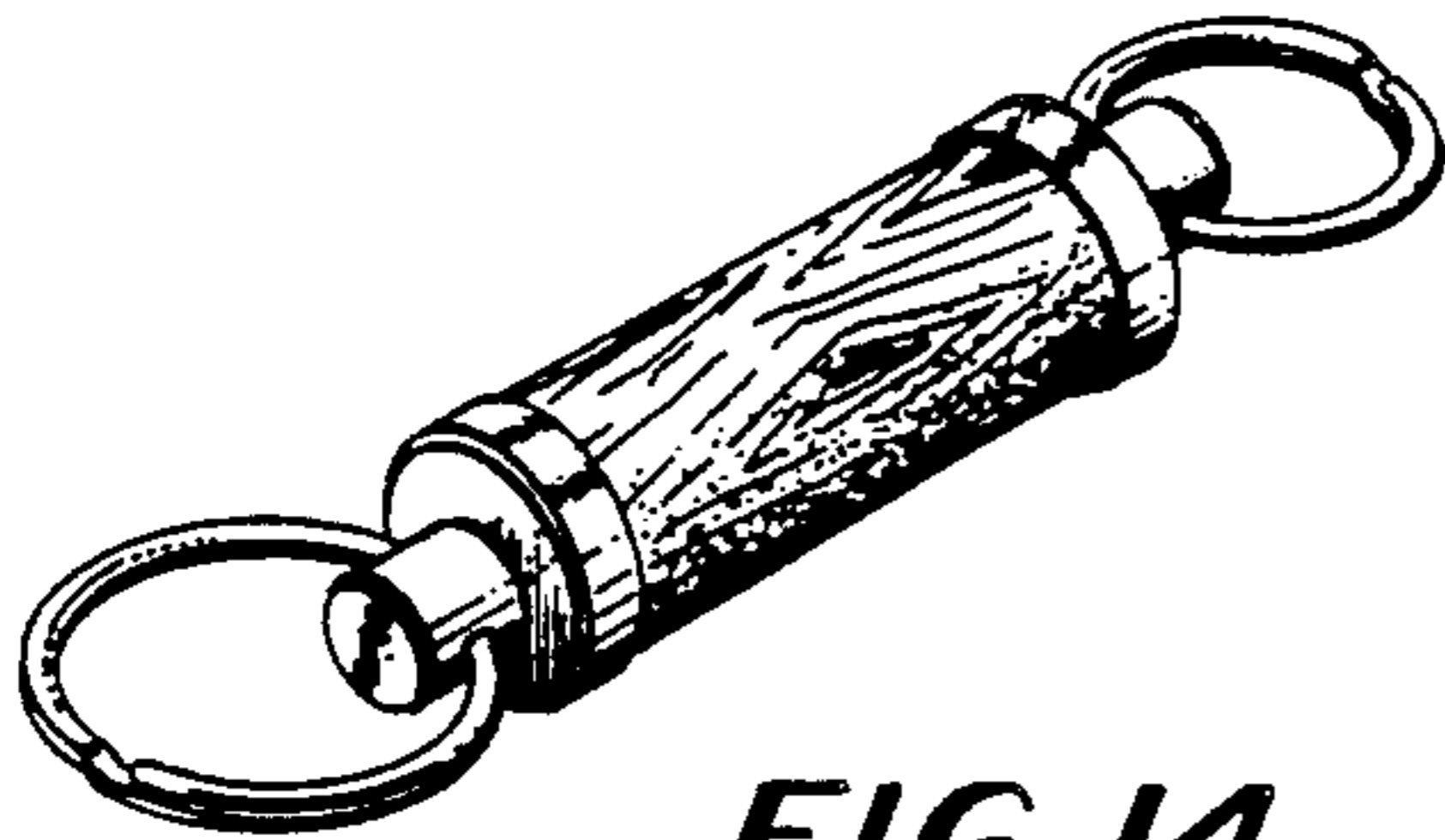


FIG. 14

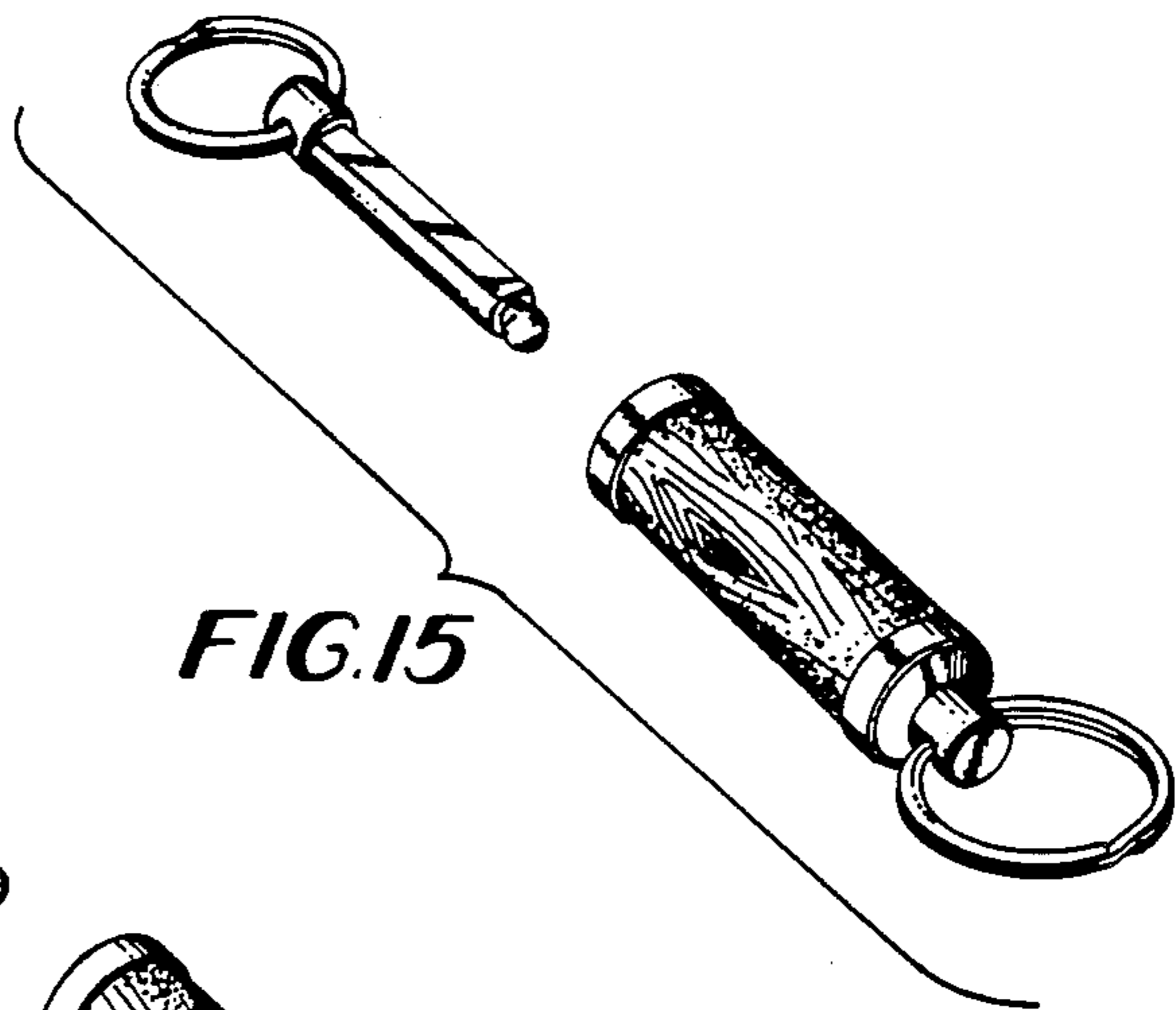


FIG. 15

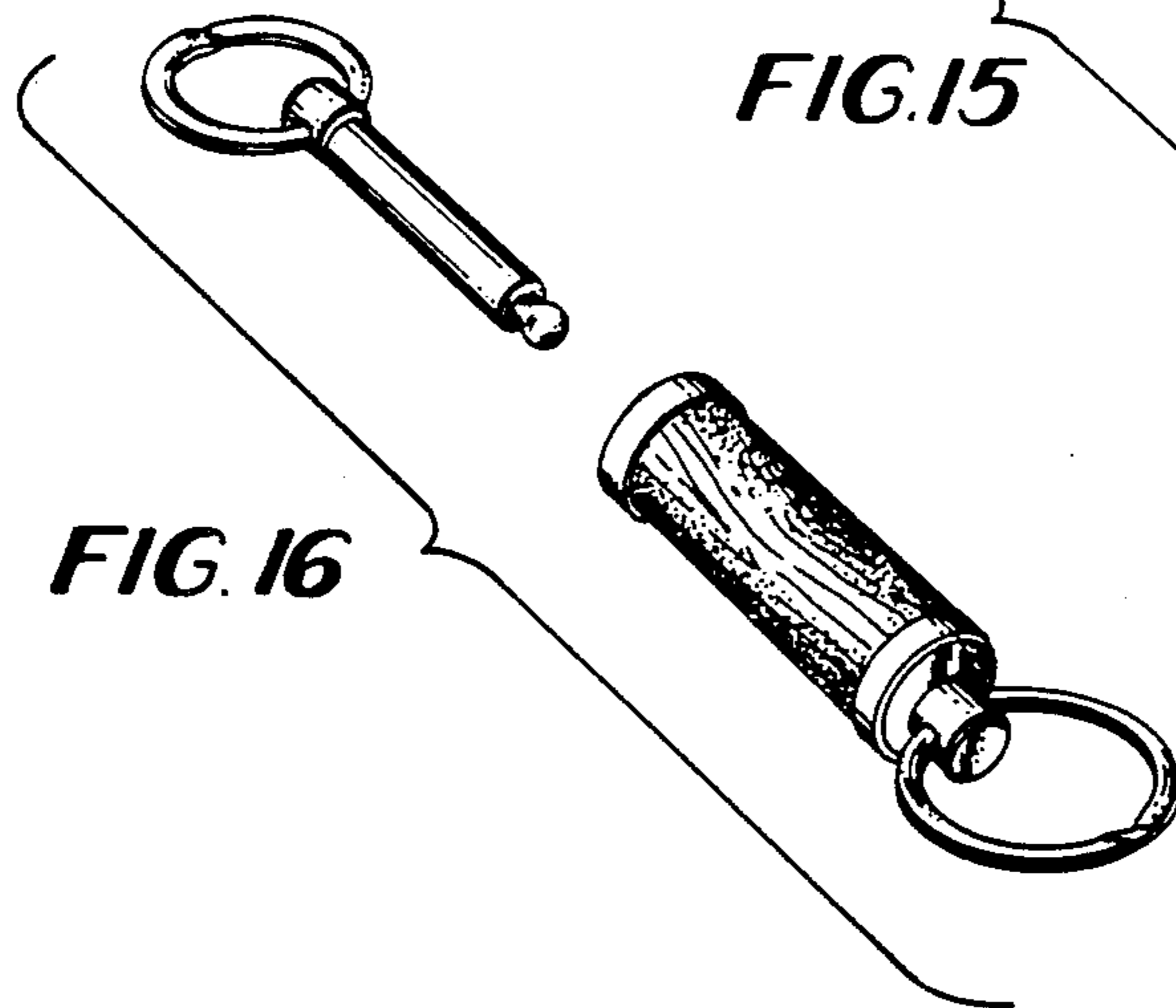


FIG. 16



FIG. 18



FIG. 17



FIG. 19