



US00D324439S

United States Patent [19]

Churchill et al.

[11] Patent Number: **Des. 324,439**

[45] Date of Patent: **** Mar. 3, 1992**

[54] **INFANT CAR SEAT CARRIER**

4,763,907 8/1988 Raymond 280/47.35
4,998,742 3/1991 Maynard 280/47.35

[76] Inventors: **Scott P. Churchill; Genie A. Churchill**, both of 4007 Howard St., Fair Oaks, Calif. 95628

Primary Examiner—Kay H. Chin
Attorney, Agent, or Firm—Lothrop & West

[**] Term: **14 Years**

[57] **CLAIM**

[21] Appl. No.: **555,547**

The ornamental design for an infant car seat carrier, as shown and described.

[22] Filed: **Jul. 20, 1990**

DESCRIPTION

[52] U.S. Cl. **D34/17; D34/20; D12/132; 280/47.35; 280/35**

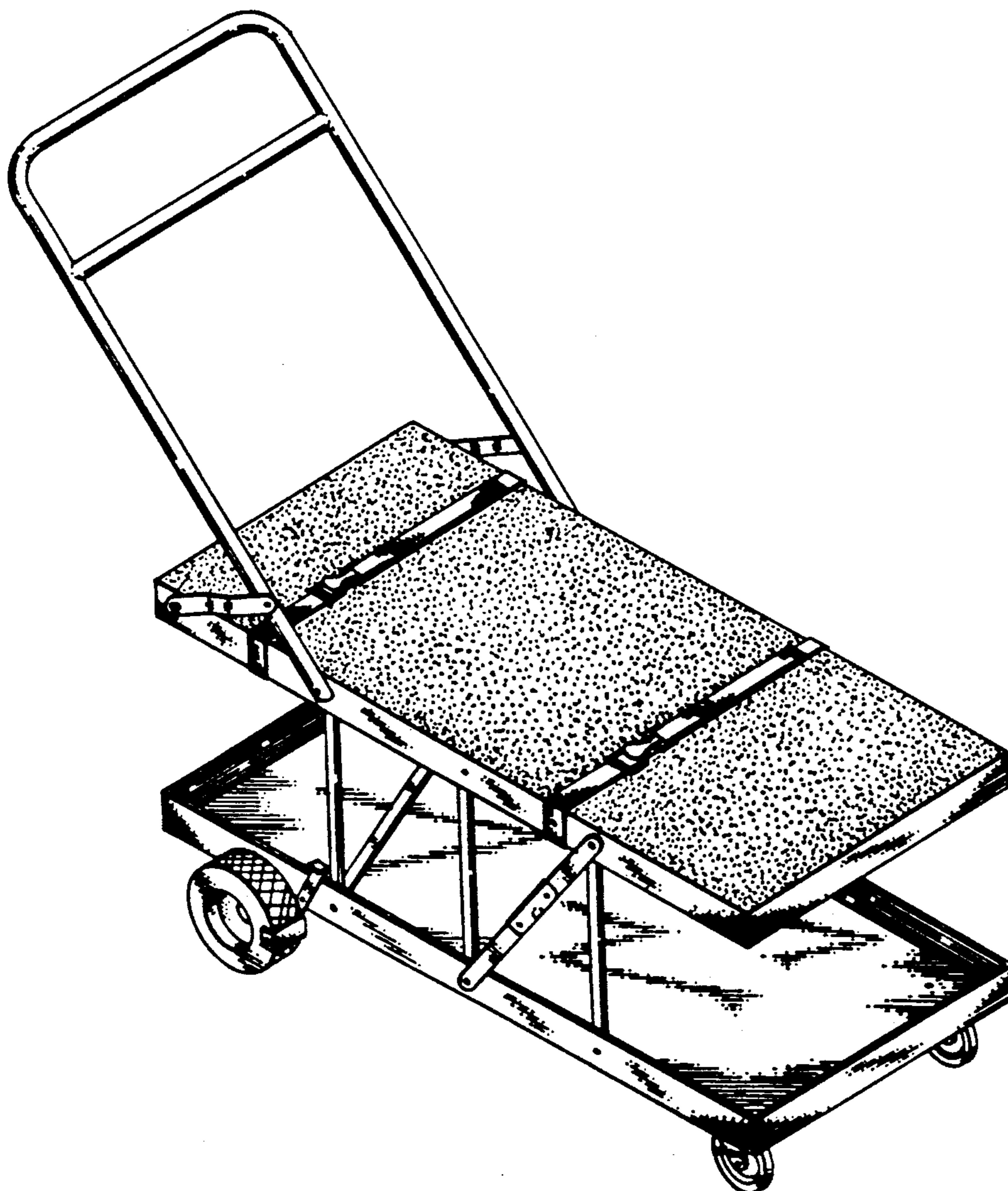
FIG. 1 is a front perspective view of an infant car seat carrier, showing our new design;
FIG. 2 is a right side elevational view thereof;
FIG. 3 is a front elevational view thereof;
FIG. 4 is a rear elevational view thereof;
FIG. 5 is a left side elevational view thereof;
FIG. 6 is a top plan view thereof;
FIG. 7 is a bottom plan view thereof; and,
FIG. 8 is a left side elevational view thereof with the carrier in folded condition.

[58] Field of Search **D34/17, 12, 20, 21, D34/24, 26; 280/35, 640, 642, 651, 47.34, 47.35, 79.11; 254/122; D12/128, 132**

[56] **References Cited**

U.S. PATENT DOCUMENTS

4,458,906 7/1984 Lamson D34/17
4,655,466 4/1987 Hanaoka 280/35



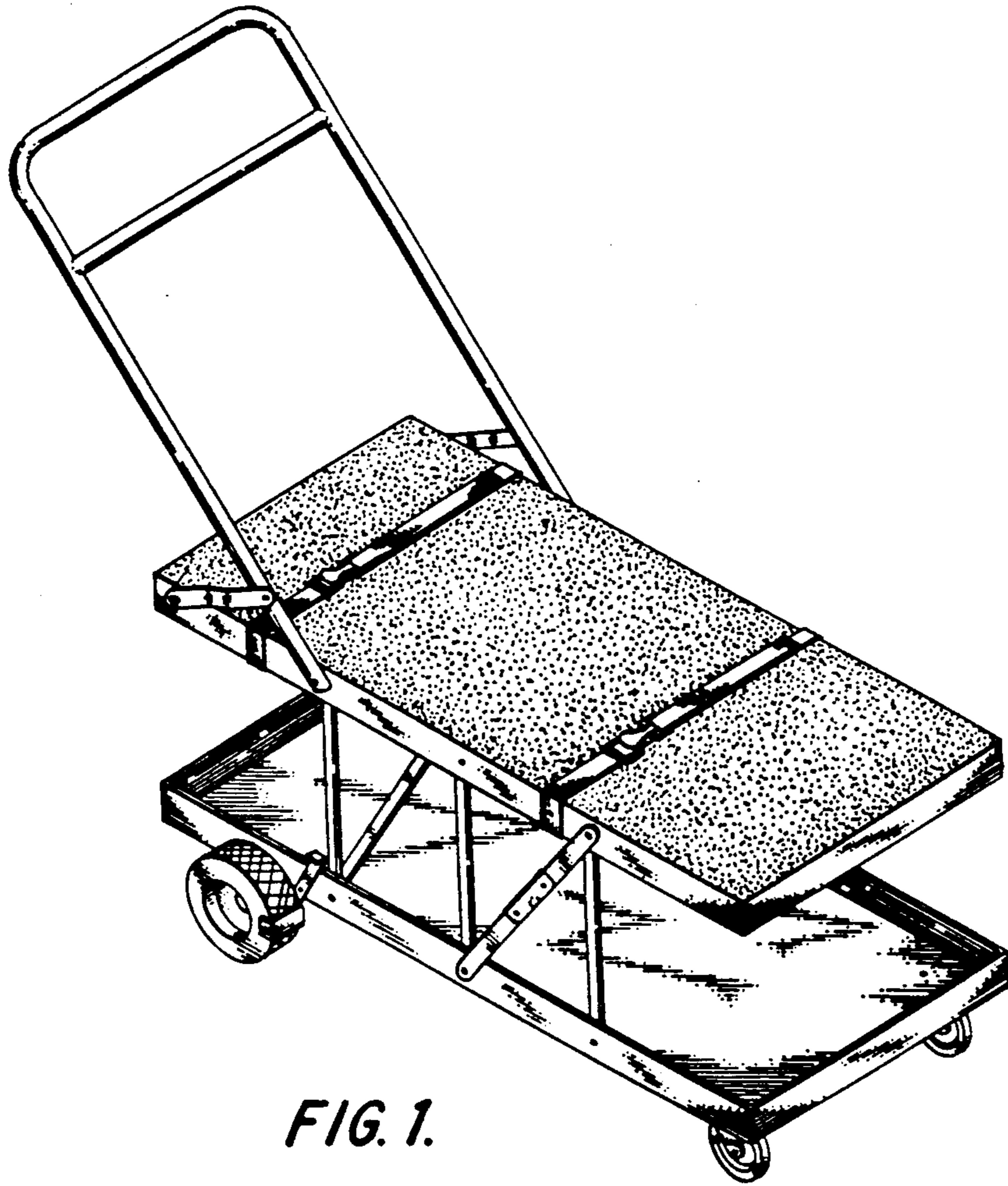


FIG. 1.

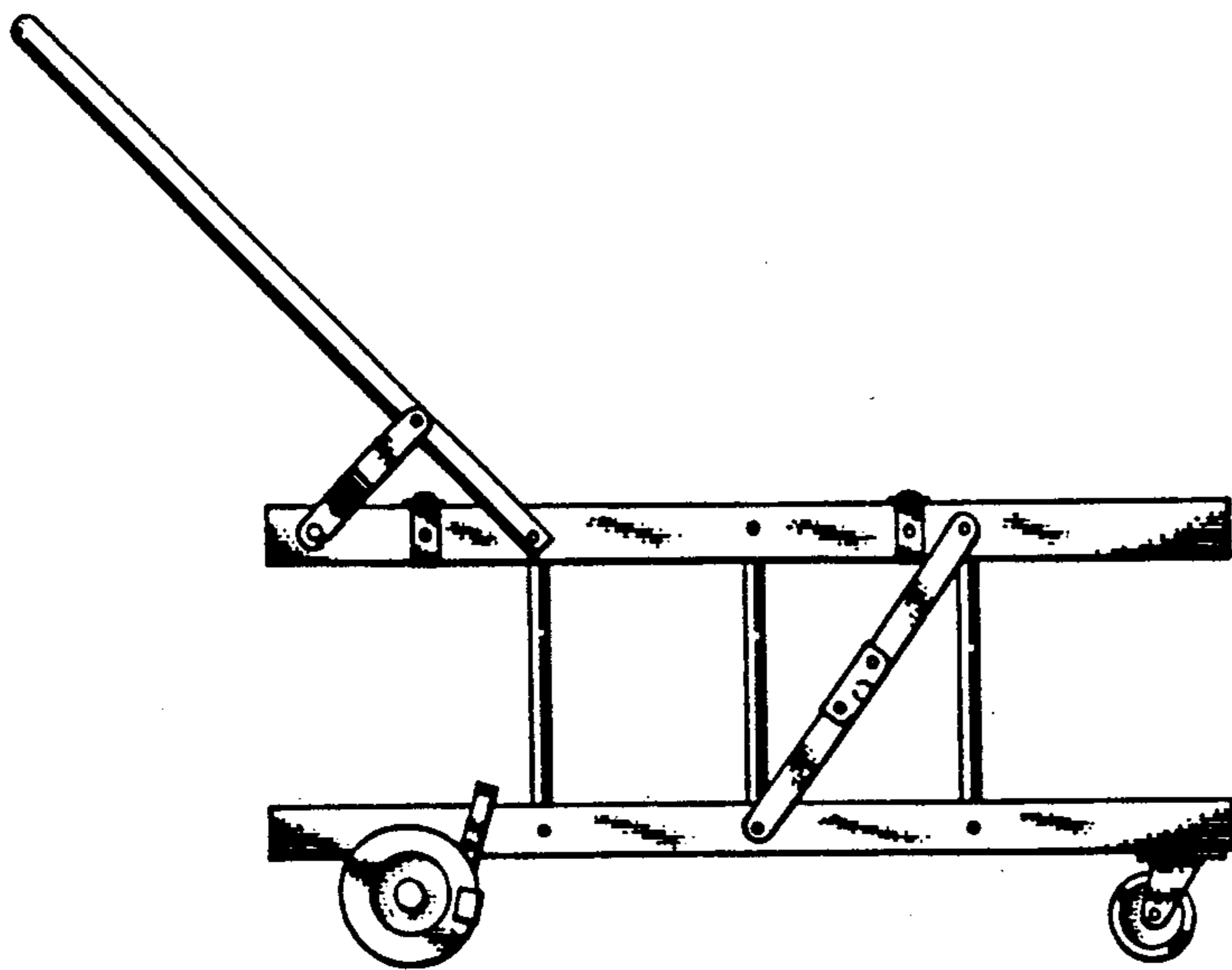


FIG. 2.

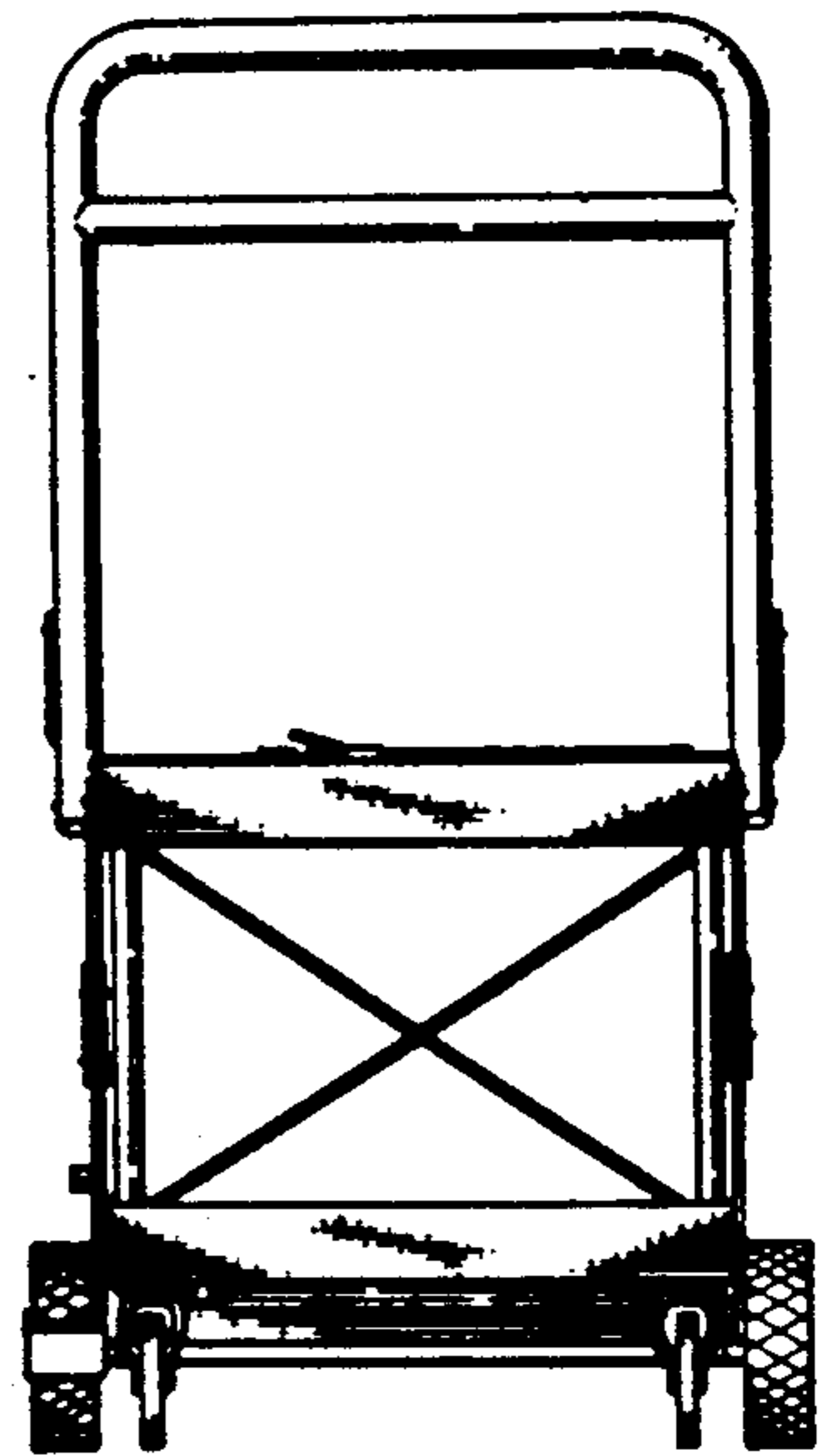


FIG. 3.

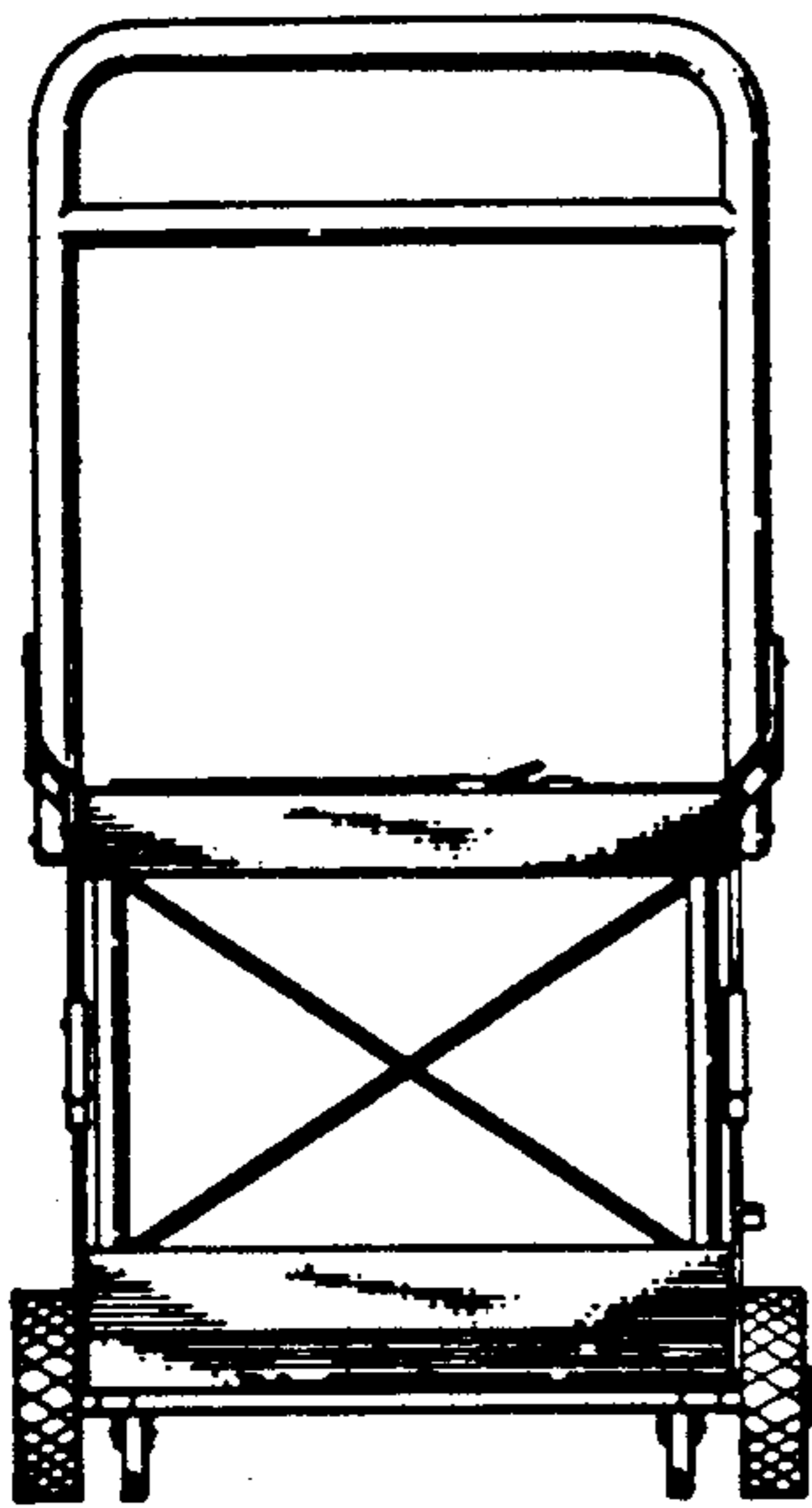


FIG. 4.

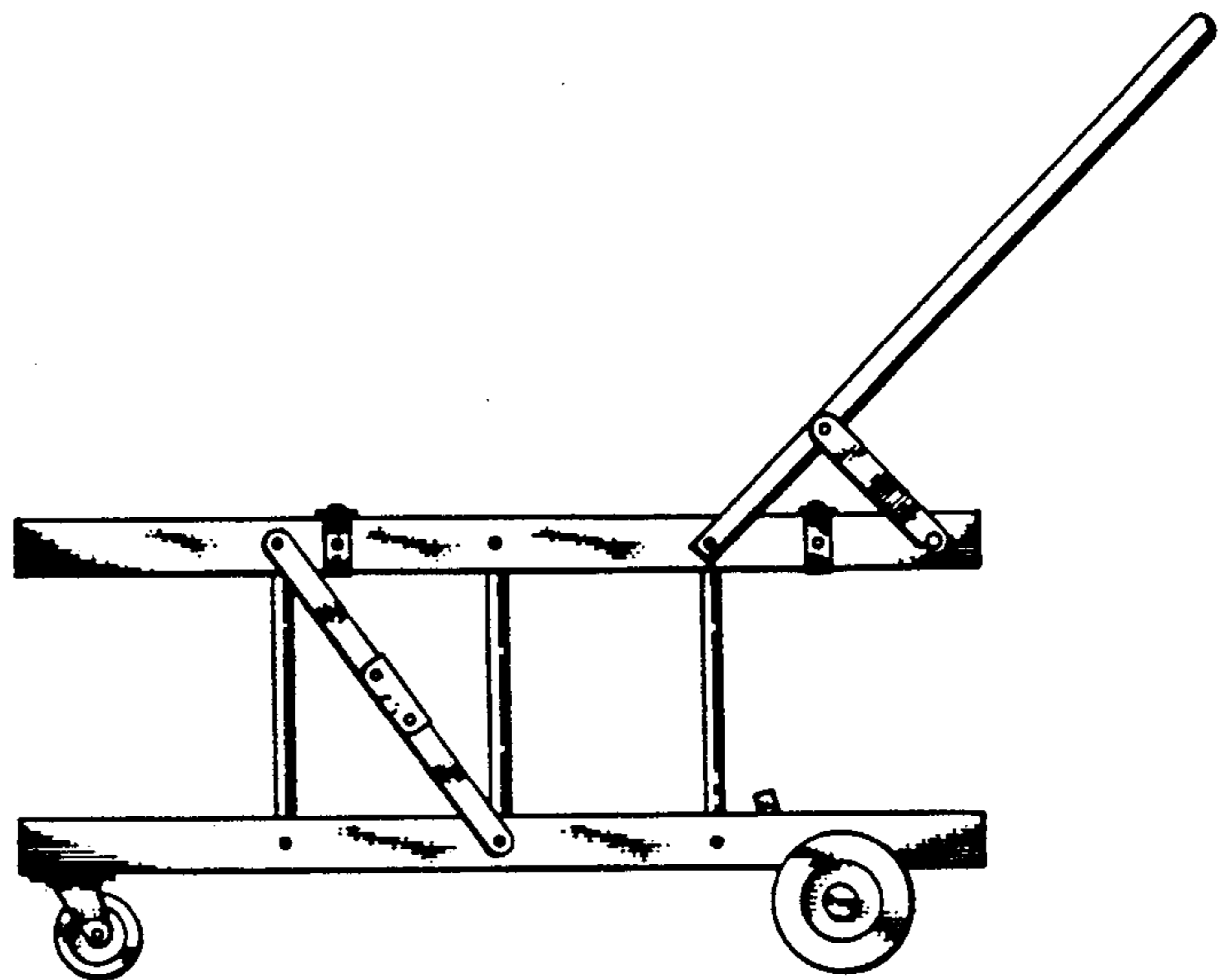


FIG. 5.

FIG. 6.

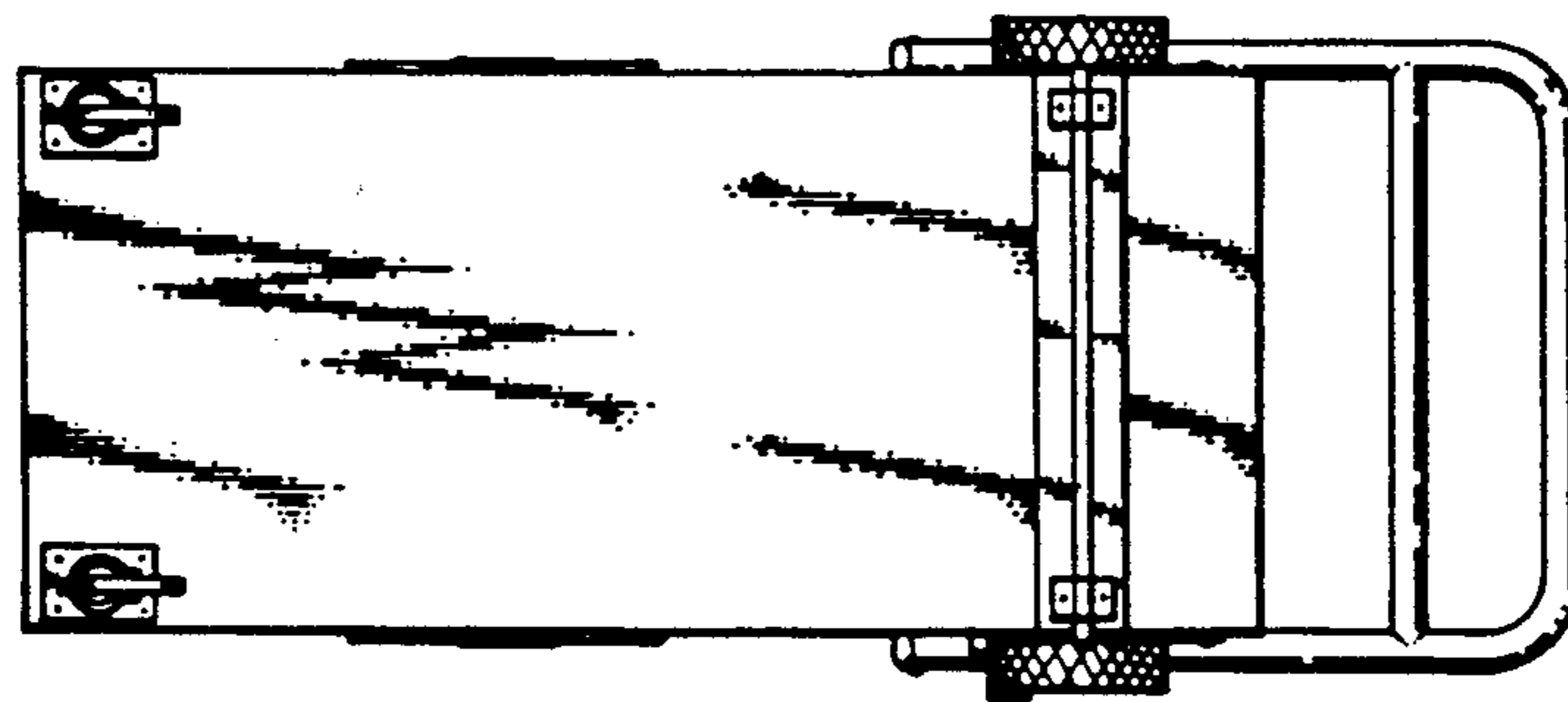
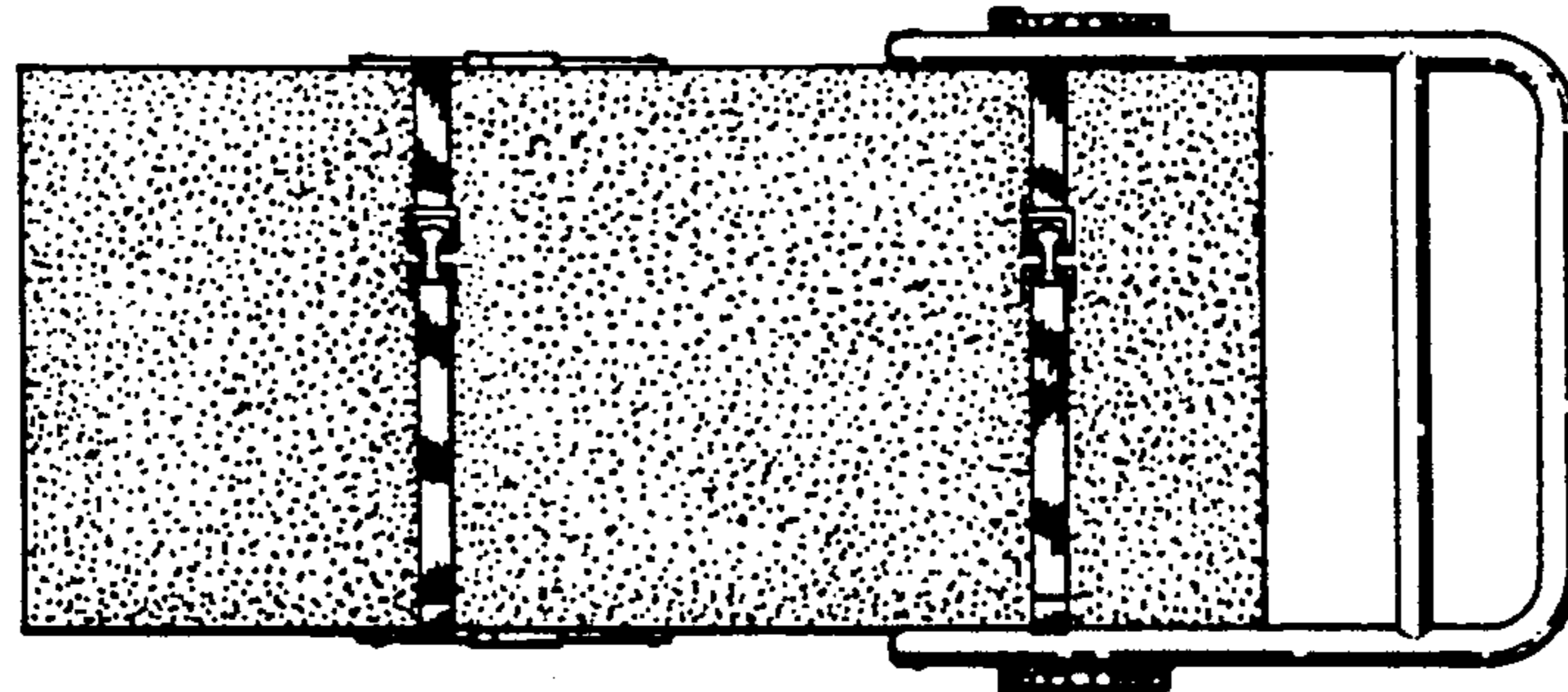


FIG. 7.

FIG. 8.

