



US00D324430S

United States Patent [19]
Sharrah et al.

[11] **Patent Number: Des. 324,430**
[45] **Date of Patent: ** Mar. 3, 1992**

[54] **FLASHLIGHT**
[75] **Inventors: Raymond L. Sharrah, Colleeville, Pa.; Hari Matsuda, Evanston, Ill.**
[73] **Assignee: Streamlight, Inc., Norristown, Pa.**
[**] **Term: 14 Years**
[21] **Appl. No.: 293,873**
[22] **Filed: Jan. 5, 1989**
[52] **U.S. Cl. D26/46**
[58] **Field of Search D26/37-50;**
362/157, 158, 183-208

3,196,268 7/1965 Mack 362/188

Primary Examiner—Susan J. Lucas
Attorney, Agent, or Firm—Dann, Dorfman, Herrell and Skillman

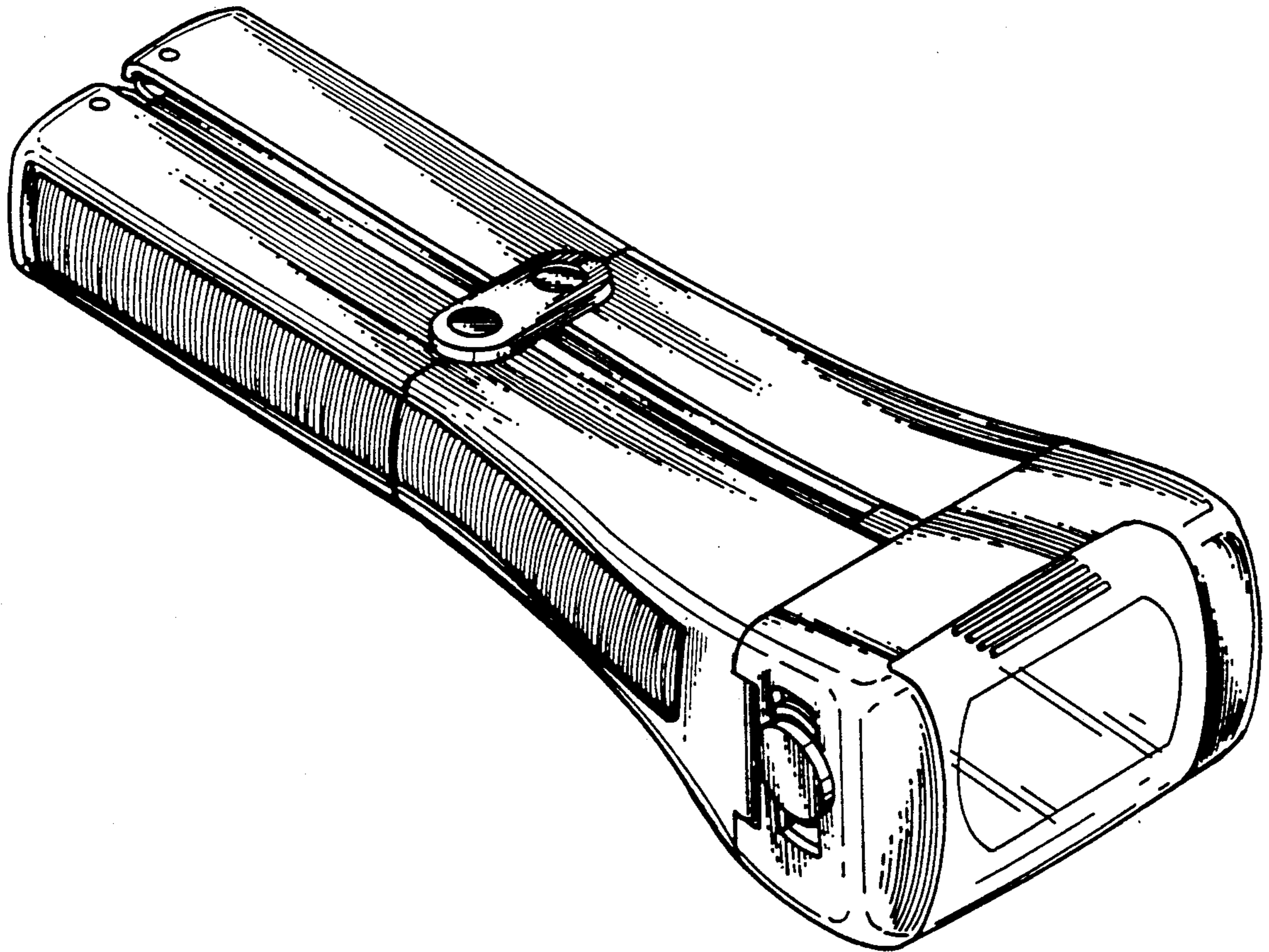
[57] **CLAIM**

The ornamental design for a flashlight, as shown and described.

DESCRIPTION

FIG. 1 is a top plan view of a flashlight showing our new design;
FIG. 2 is a bottom plan view thereof;
FIG. 3 is a right hand side elevational view thereof;
FIG. 4 is a left hand side elevational view thereof;
FIG. 5 is a front elevational view thereof;
FIG. 6 is a rear elevational view thereof; and
FIG. 7 is a top, front, right hand side perspective view thereof.

[56] **References Cited**
U.S. PATENT DOCUMENTS
D. 231,011 3/1974 Vic D26/46
D. 296,012 5/1988 Petterson D26/46



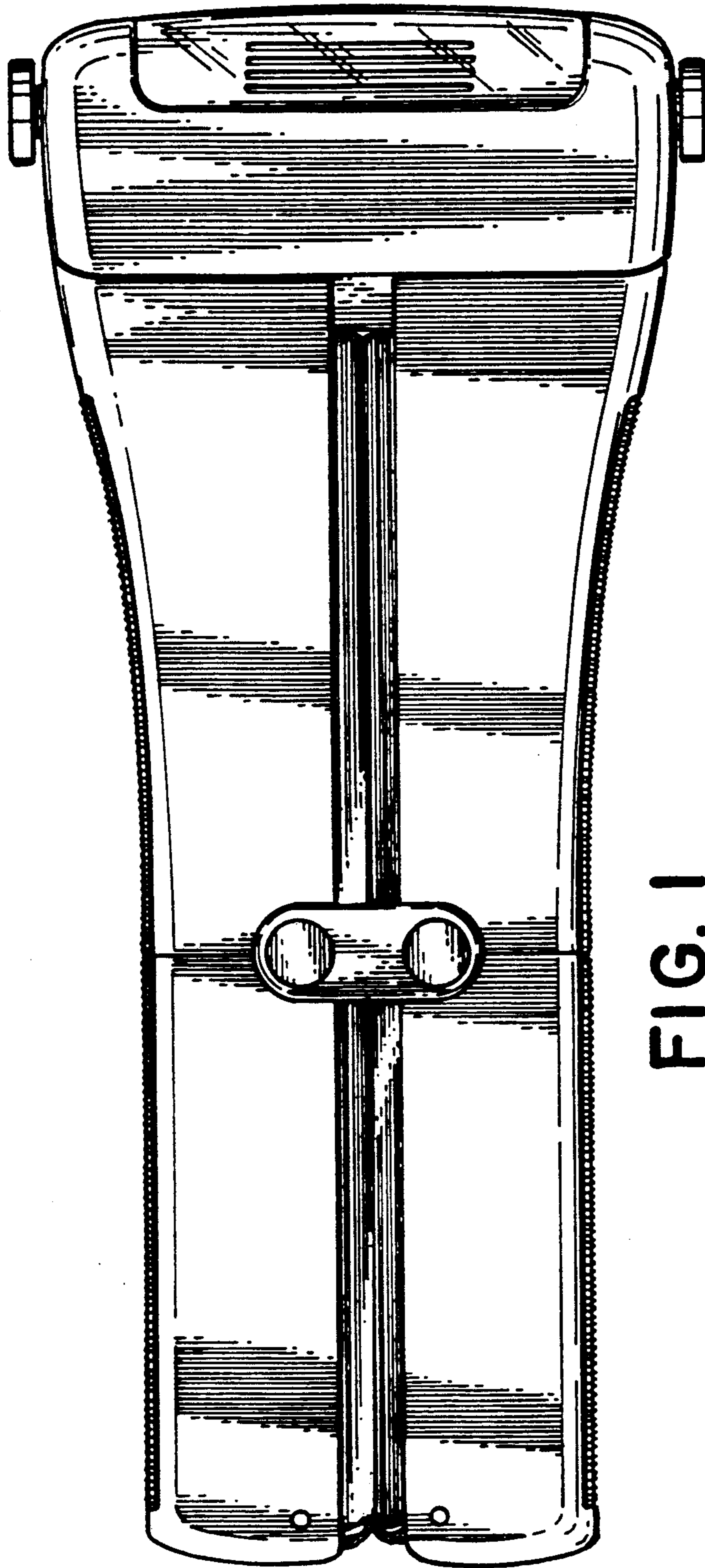


FIG. 1

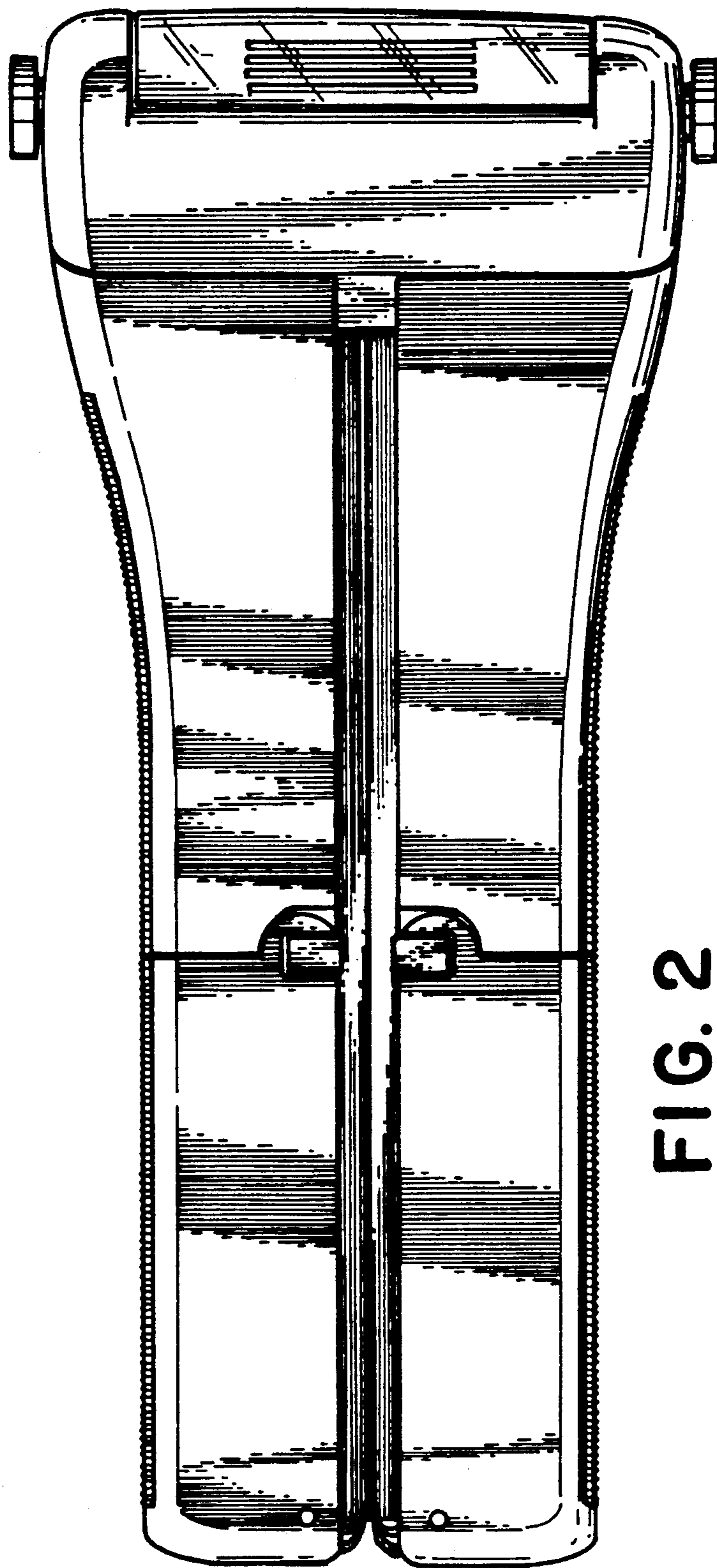


FIG. 2

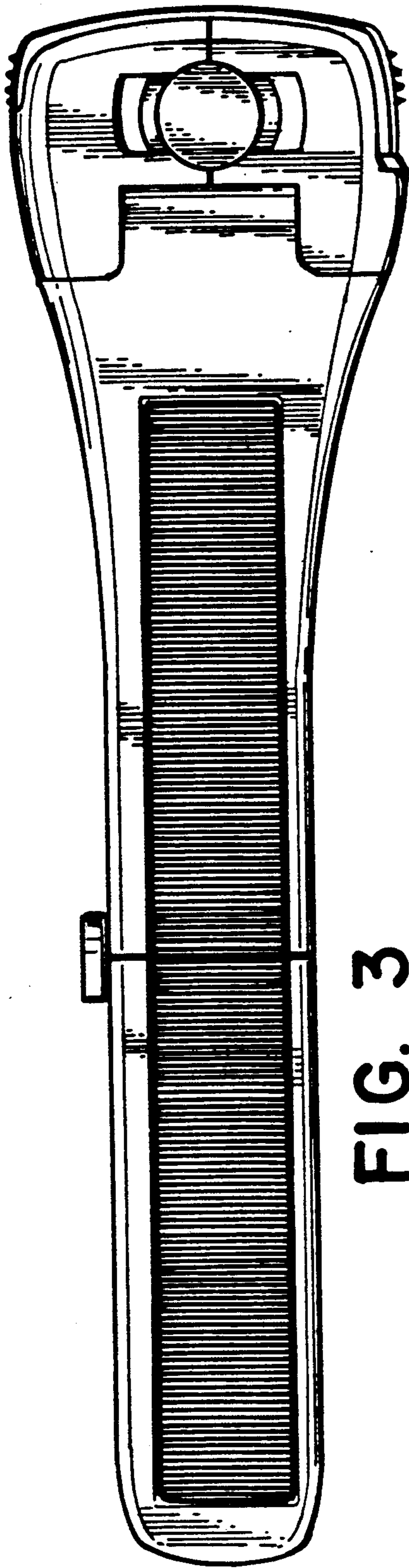


FIG. 3

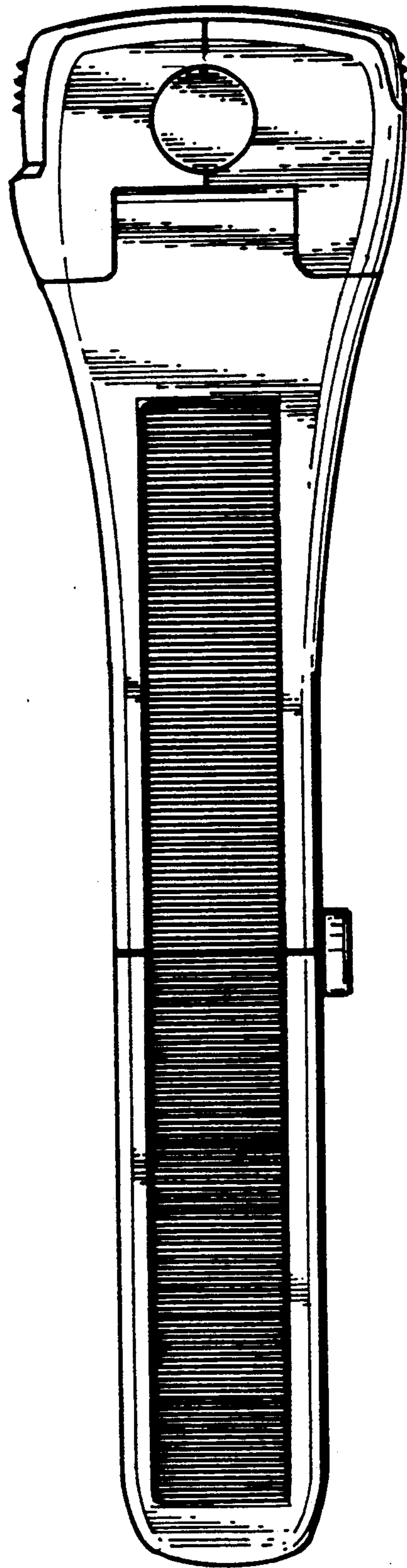


FIG. 4

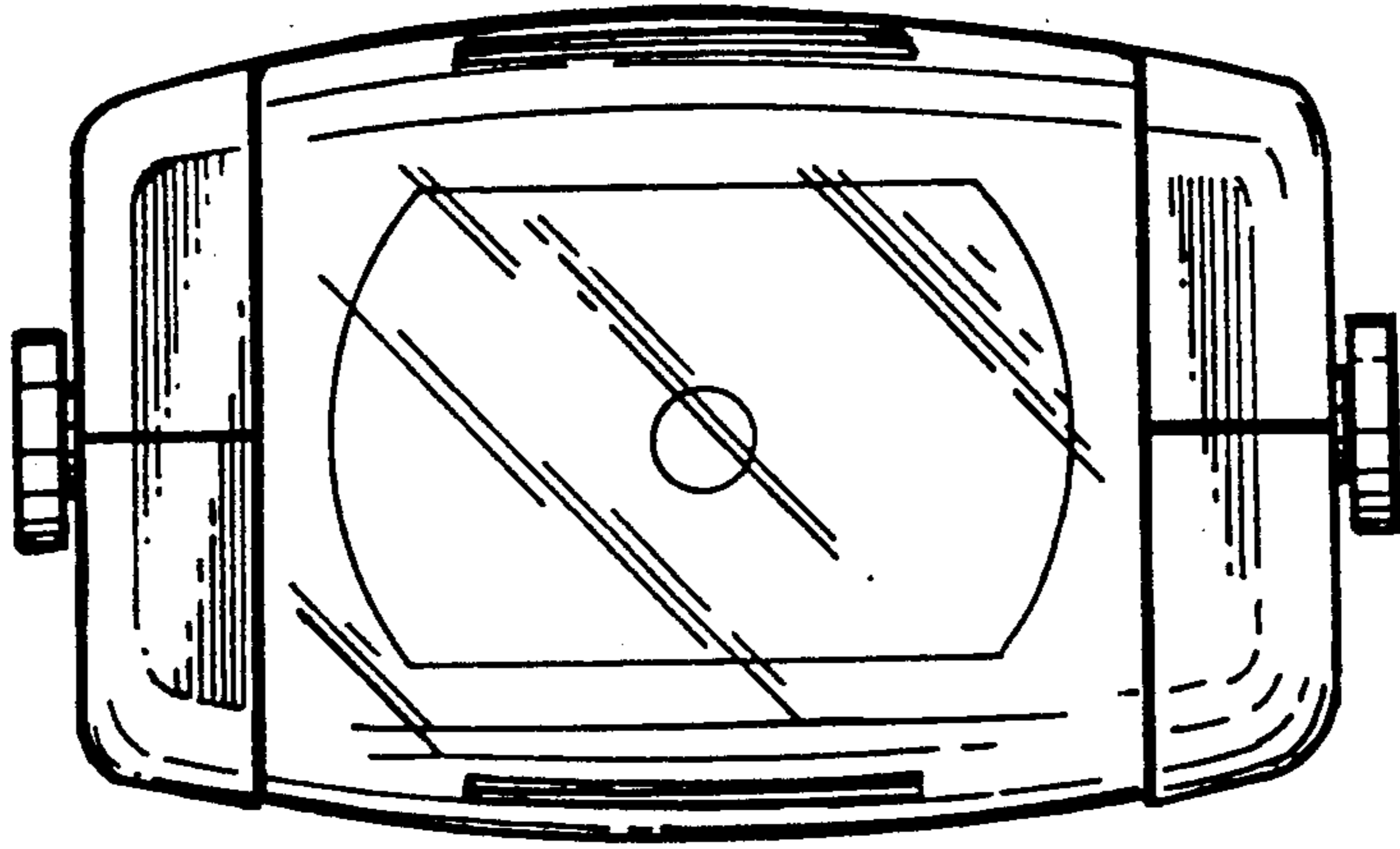


FIG. 5

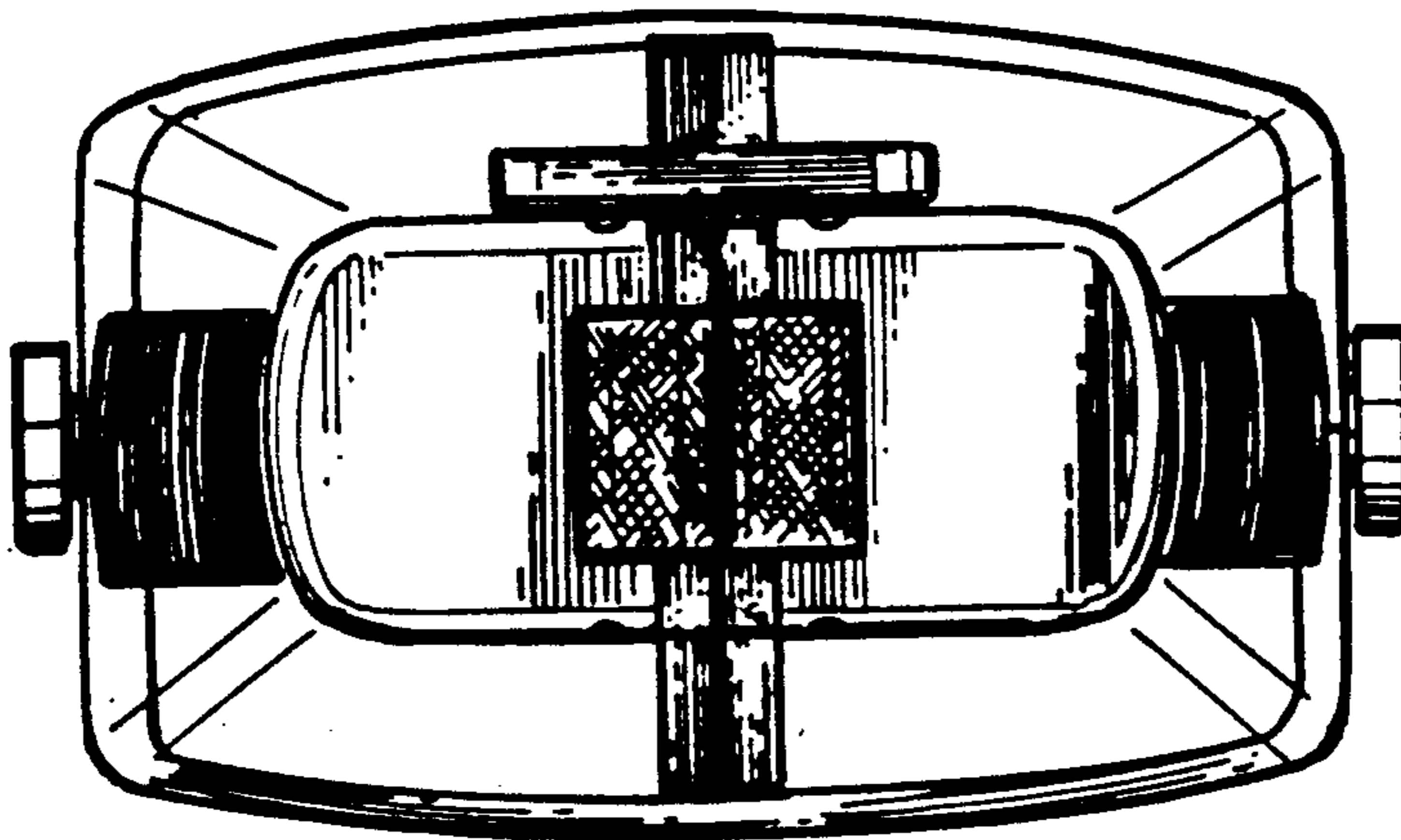


FIG. 6

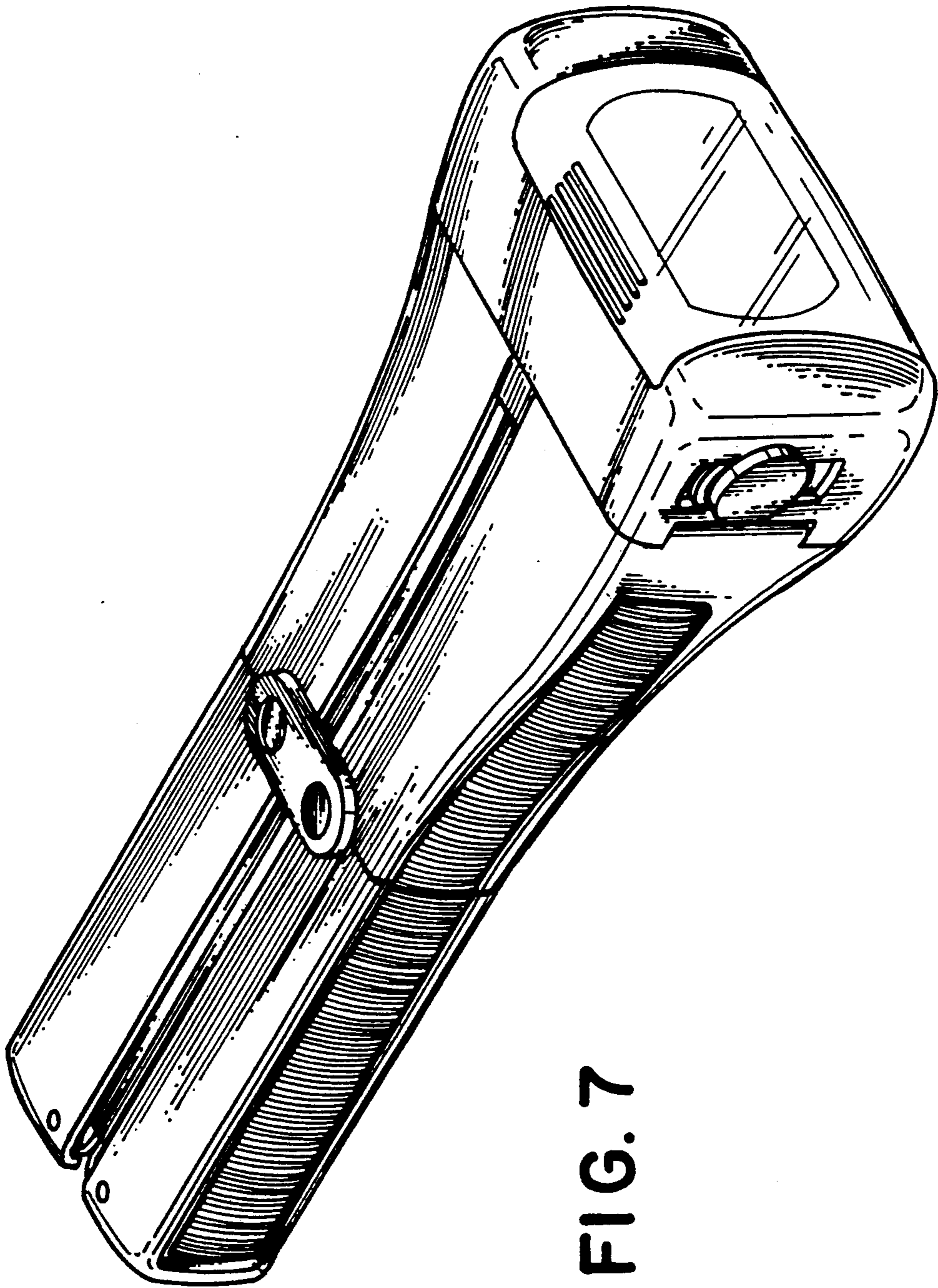


FIG. 7