



US00D324429S

United States Patent [19]

Davis

[11] Patent Number: **Des. 324,429**

[45] Date of Patent: **** Mar. 3, 1992**

[54] **RUNNING LIGHT FOR A MOTORCYCLE**

[76] Inventor: **Otis H. Davis**, 901 N. Lakemount Ave., Winterpark, Fla. 32792

[**] Term: **14 Years**

[21] Appl. No.: **417,808**

[22] Filed: **Oct. 5, 1989**

[52] U.S. Cl. **D26/29; D26/36**

[58] Field of Search **D26/28-36; 362/72, 61, 80, 80.1, 83, 83.3; 340/432**

[56] **References Cited**

U.S. PATENT DOCUMENTS

- D. 113,444 2/1939 Trippe D26/36
- D. 120,639 5/1940 Galter D26/29
- D. 121,503 7/1940 Bahr D26/36

4,420,803 12/1983 Stahel et al. 362/72 X

FOREIGN PATENT DOCUMENTS

2526490 12/1976 Fed. Rep. of Germany 362/72

Primary Examiner—Susan J. Lucas
Attorney, Agent, or Firm—Terry M. Gernstein

[57] **CLAIM**

The ornamental design for a running light for a motorcycle, as shown and described.

DESCRIPTION

FIG. 1 is a front perspective view of a running light for a motorcycle showing my new design; FIG. 2 is a front elevational view thereof; FIG. 3 is a side elevational view thereof; FIG. 4 is a rear elevational view thereof; and FIG. 5 is an opposite side elevational view thereof.

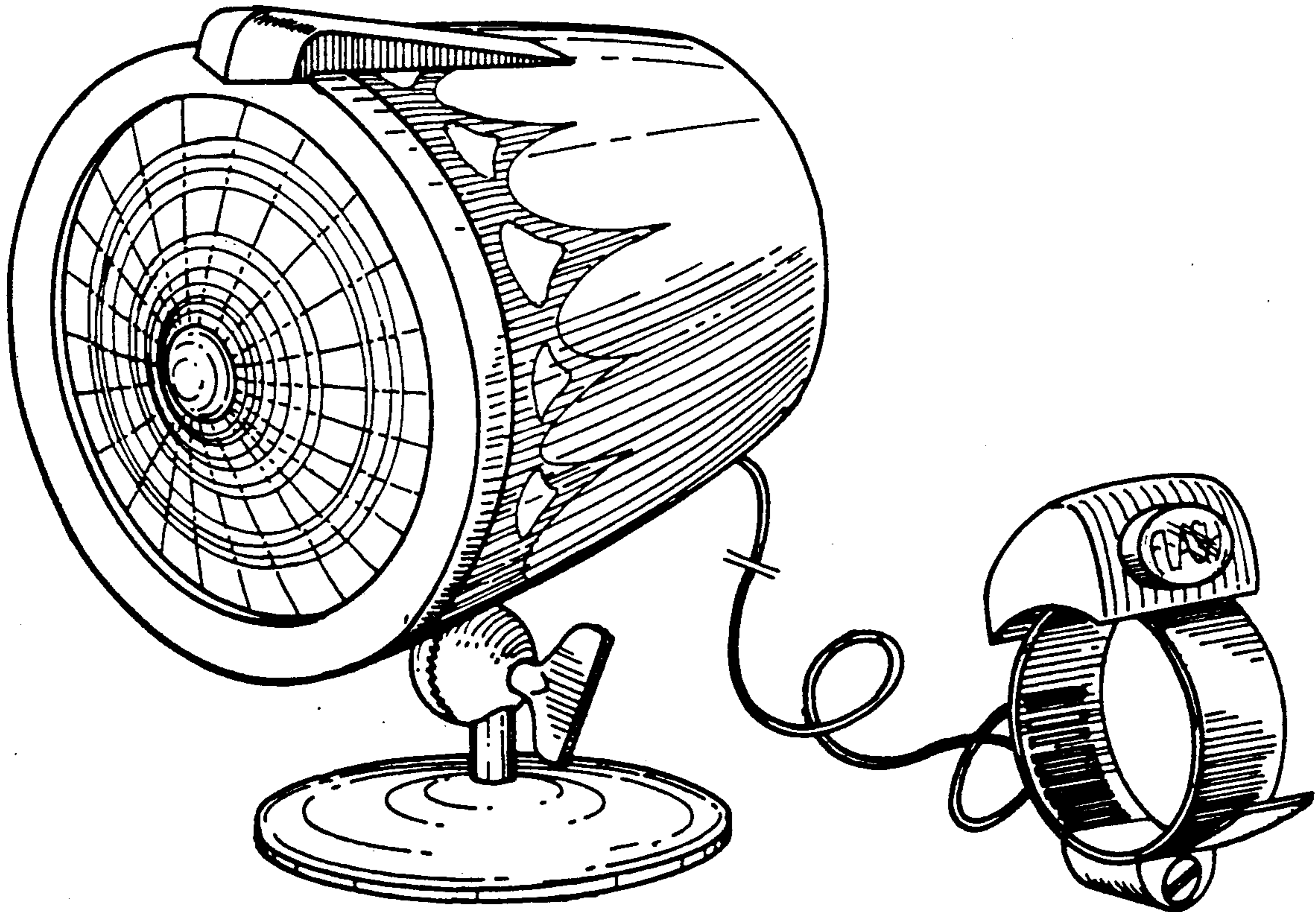


FIG. 1

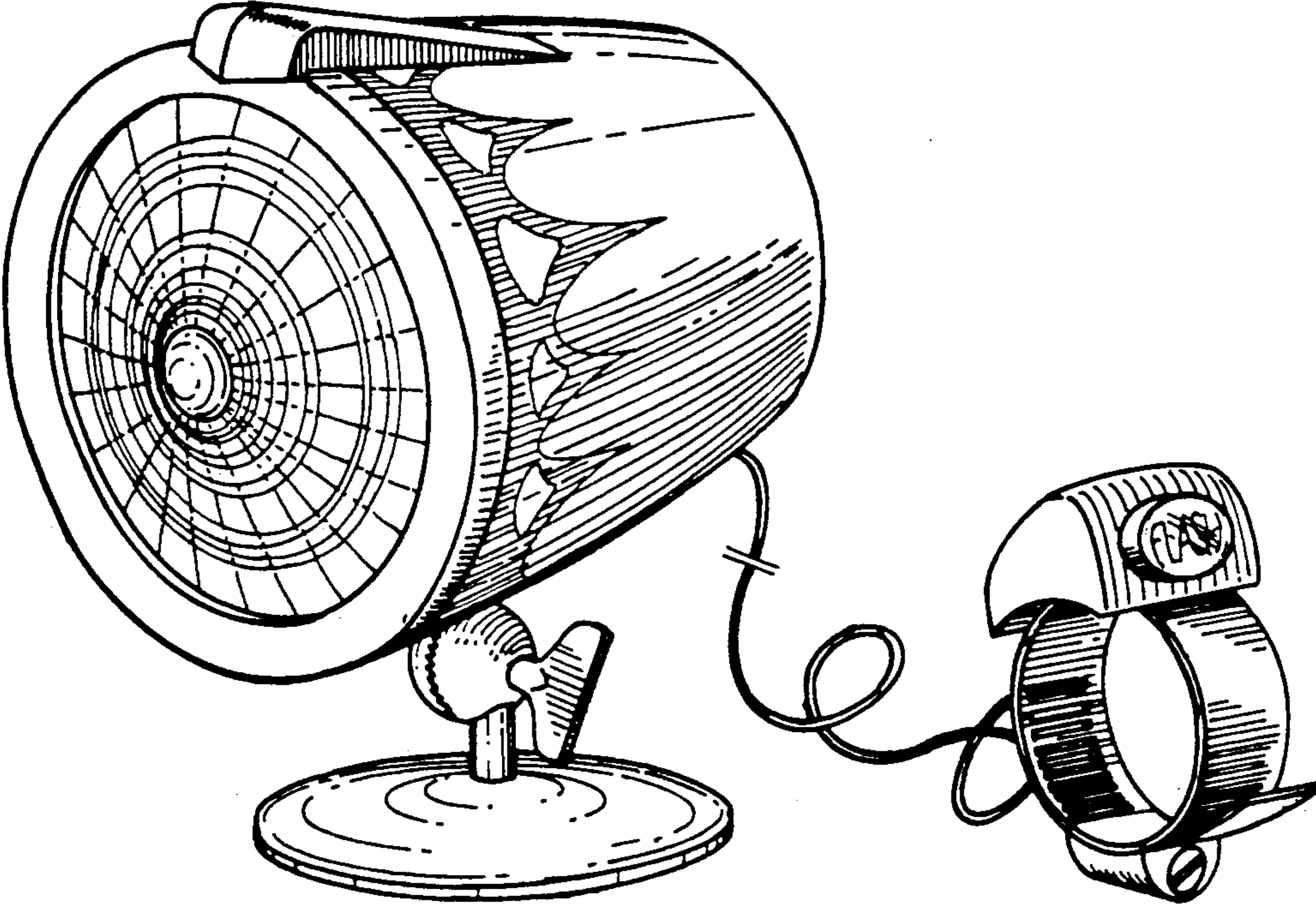
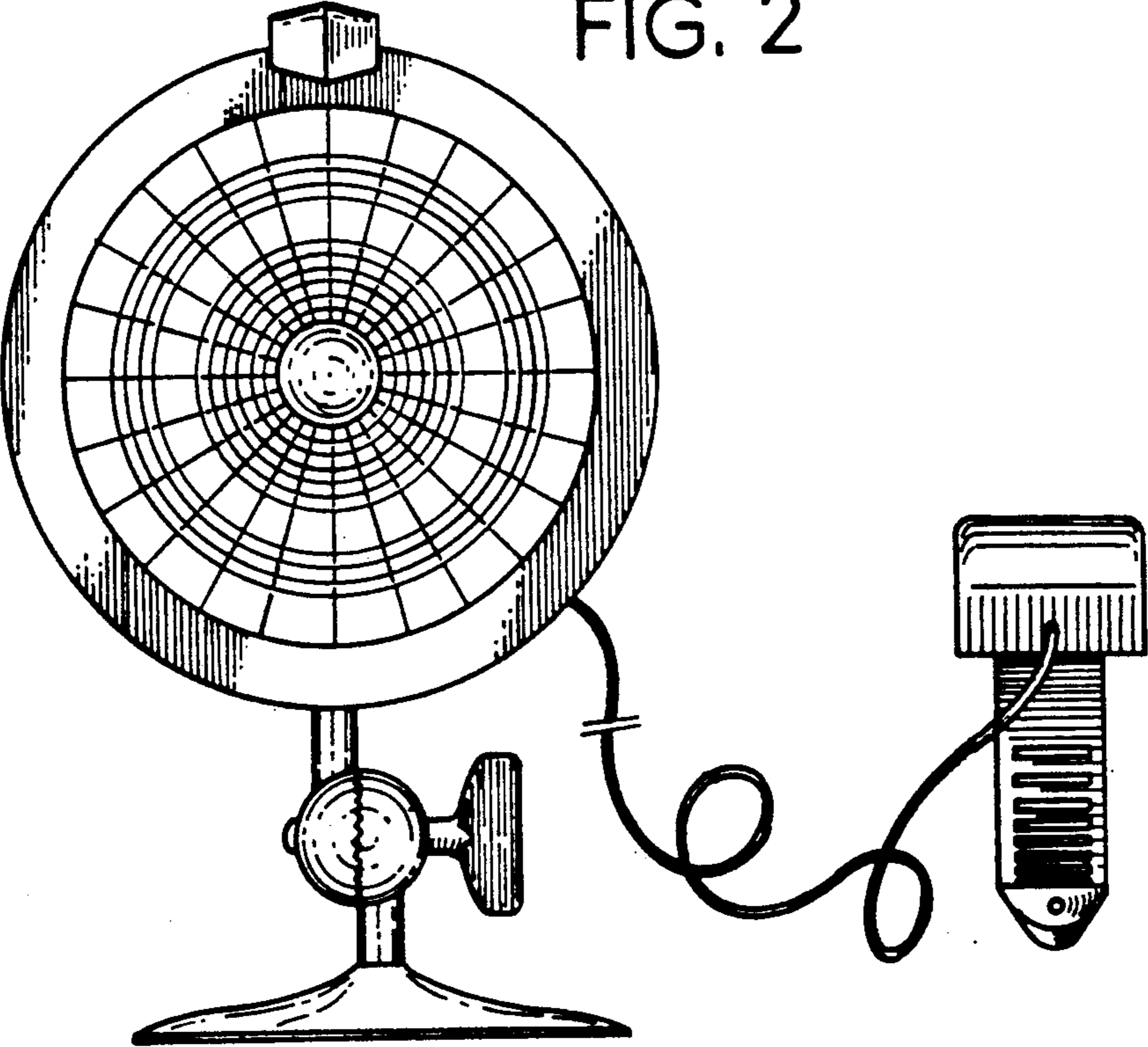


FIG. 2



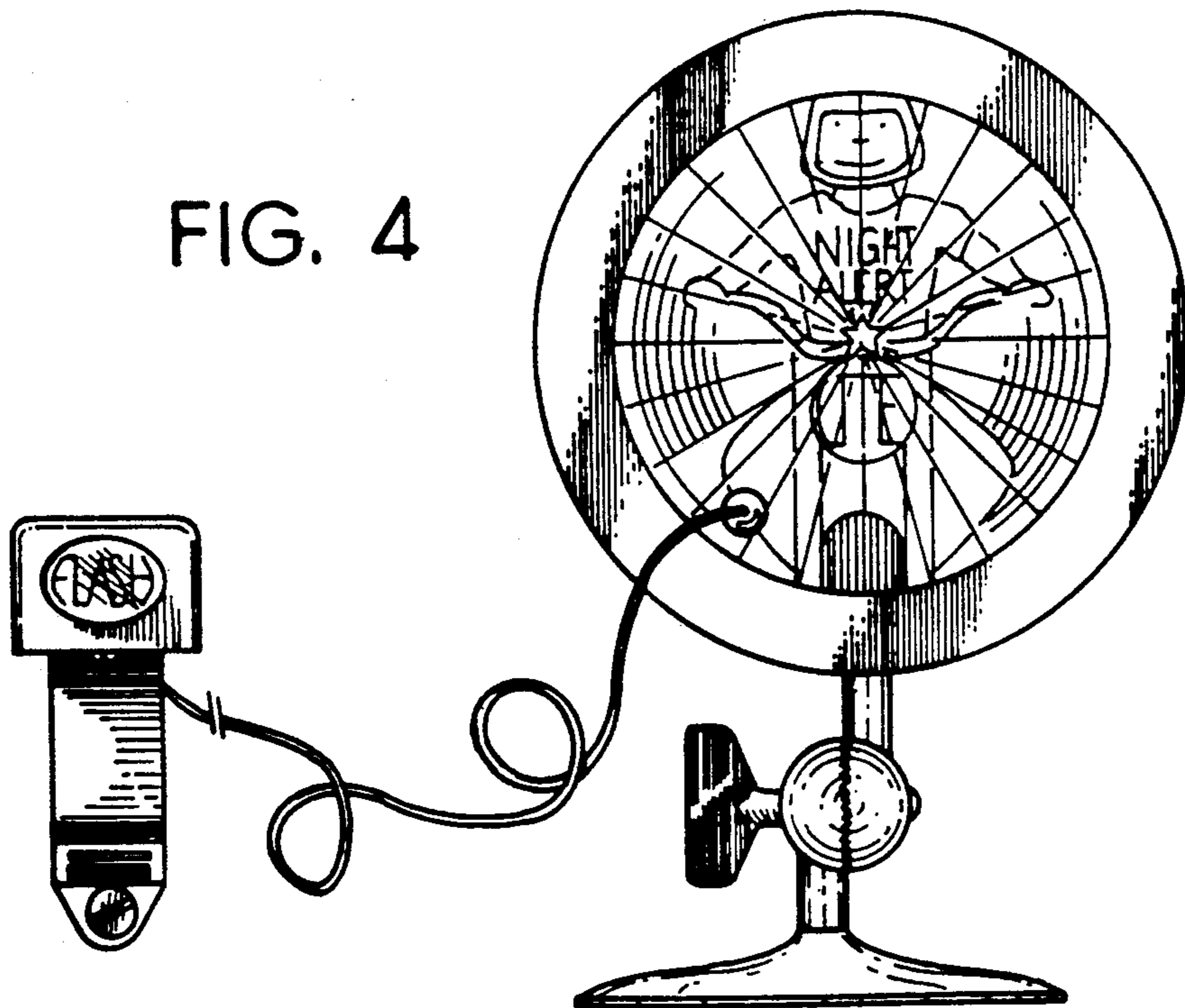
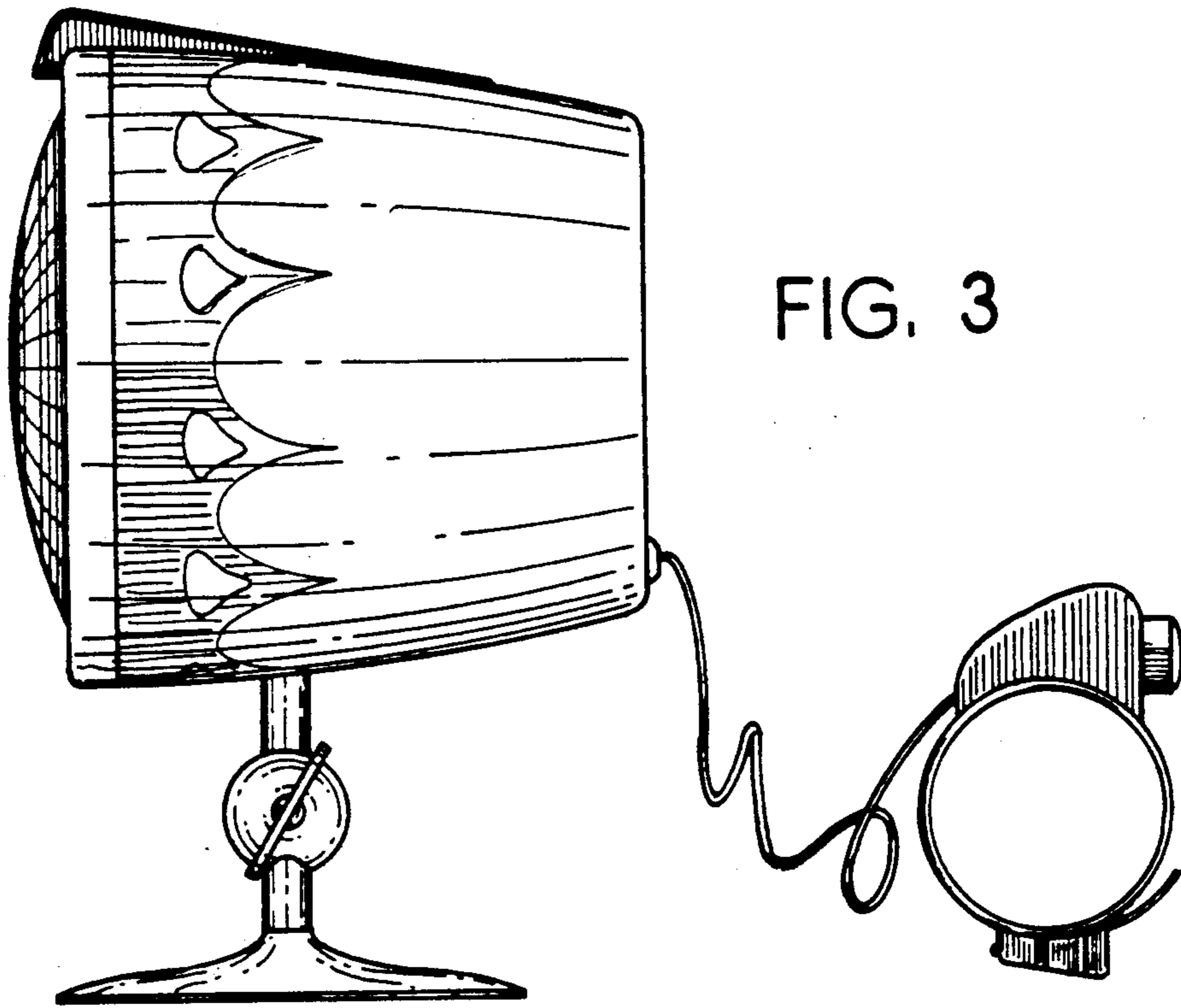


FIG. 5

