



US00D324426S

# United States Patent [19]

[11] Patent Number: **Des. 324,426**

Fan et al.

[45] Date of Patent: **\*\* Mar. 3, 1992**

[54] REACTION UNIT FOR USE IN ANALYZING BIOLOGICAL FLUIDS

4,847,199 7/1989 Snyder et al. .... D24/223 X

[75] Inventors: Eugene Fan, La Jolla; Ching Huang, Chula Vista; Dou-Mei Wang, Encinitas; Gregg L. Wilson, San Diego, all of Calif.

### FOREIGN PATENT DOCUMENTS

0217403 4/1988 European Pat. Off. .

[73] Assignee: Pacific Biotech, Inc., San Diego, Calif.

Primary Examiner—Stella Reid  
Attorney, Agent, or Firm—Knobbe, Martens Olson & Bear

[\*\*] Term: 14 Years

### [57] CLAIM

The ornamental design for a reaction unit for use in analyzing biological fluids, as shown and described.

[21] Appl. No.: 424,588

### DESCRIPTION

[22] Filed: Oct. 20, 1989

[52] U.S. Cl. .... D24/226; D24/223

[58] Field of Search ..... D24/224, 225, 223, 216; 422/56-58, 61, 102; 435/7, 5

FIG. 1 is a front, left side perspective view of a reaction unit for use in analyzing biological fluids, showing my new design;

FIG. 2 is a rear elevational view thereof;

FIG. 3 is a bottom plan view thereof;

FIG. 4 is a right side elevational view thereof;

FIG. 5 is a front, left side perspective view of a second embodiment of the reaction unit for use in analyzing biological fluids;

FIG. 6 is a rear elevational view thereof;

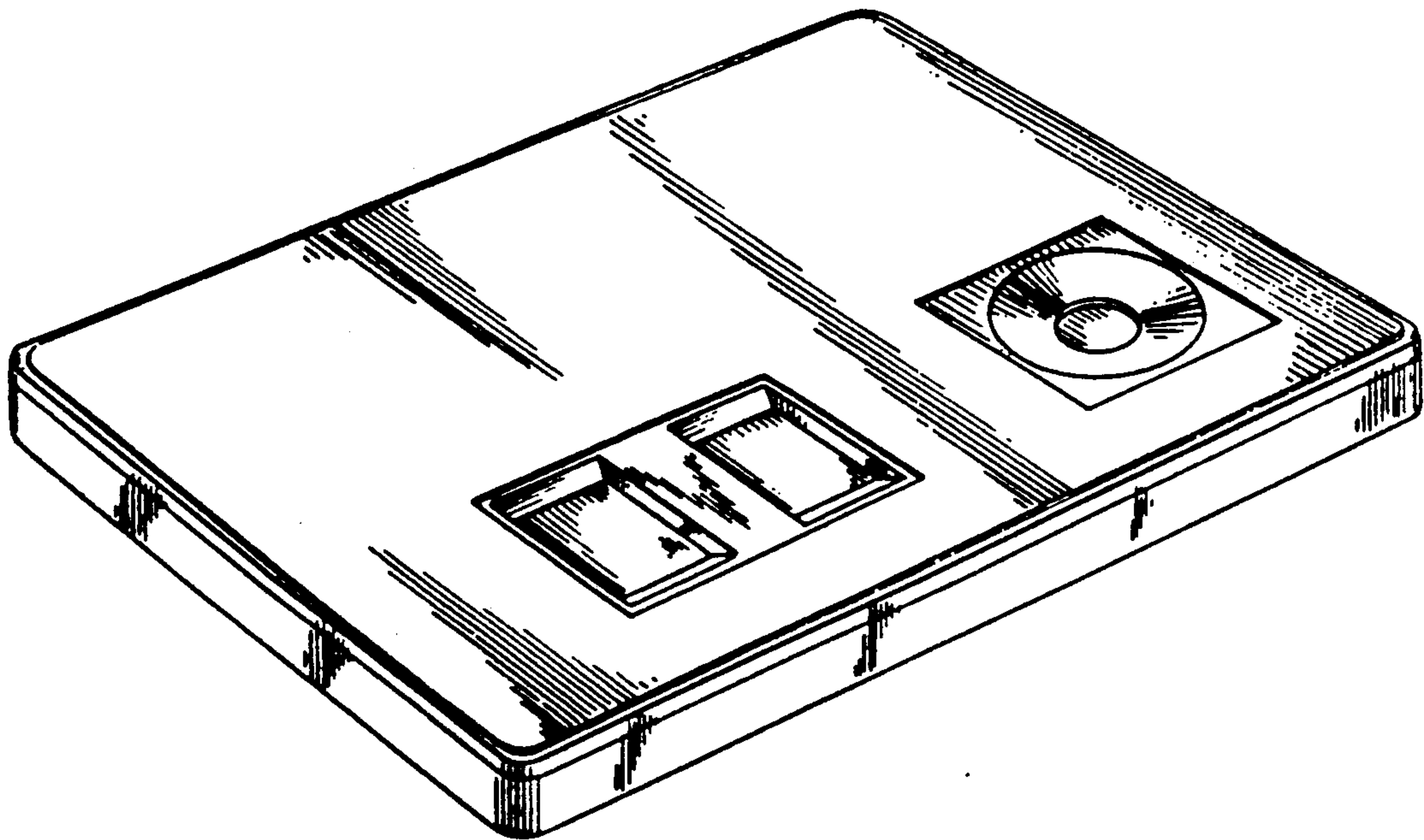
FIG. 7 is a bottom plan view thereof; and

FIG. 8 is a right side elevational view thereof.

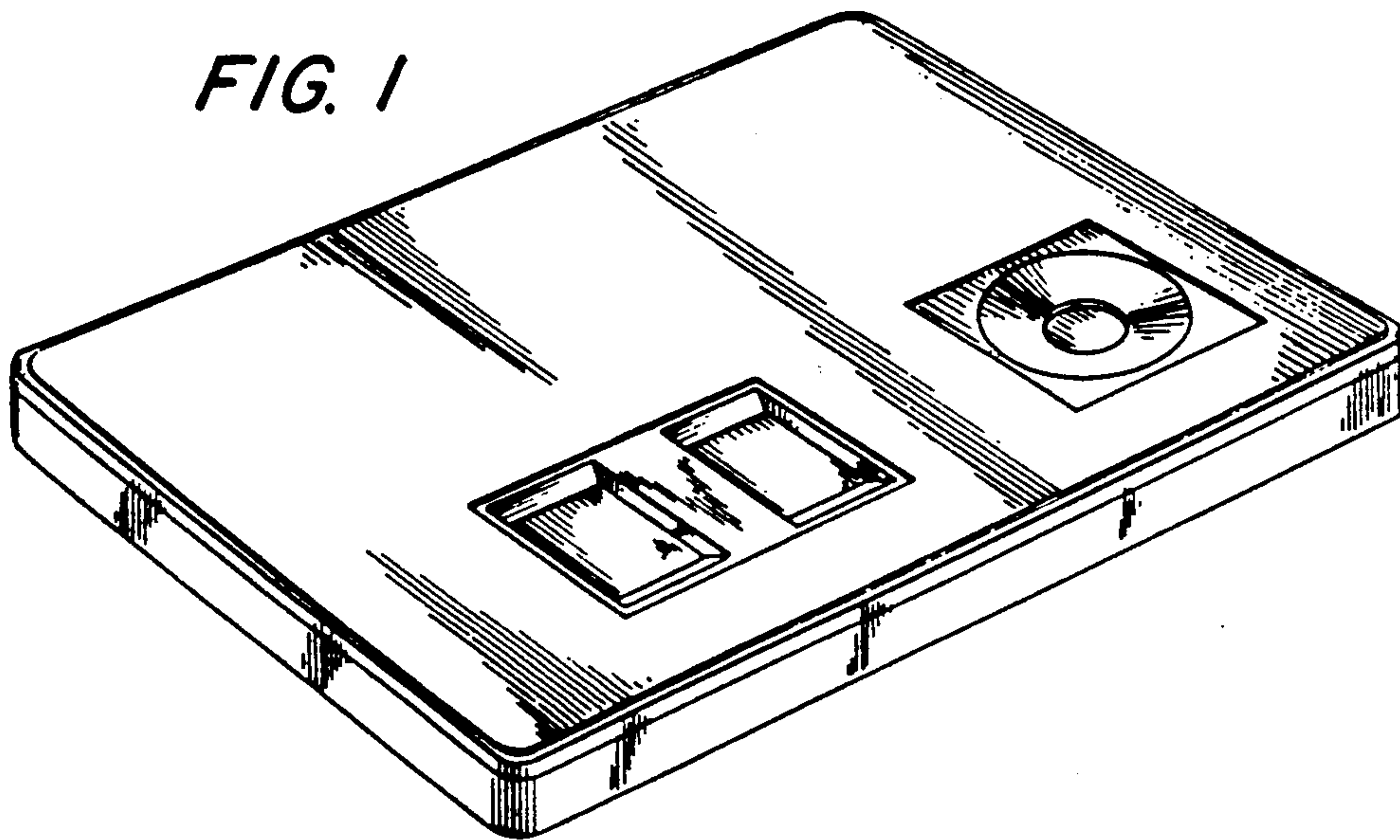
### [56] References Cited

#### U.S. PATENT DOCUMENTS

- D. 299,744 2/1989 Bauer ..... D24/224
- D. 299,859 2/1989 Fan et al. .... D24/225
- D. 299,860 2/1989 Fan et al. .... D24/225
- D. 315,791 3/1991 Meyers et al. .... D24/226



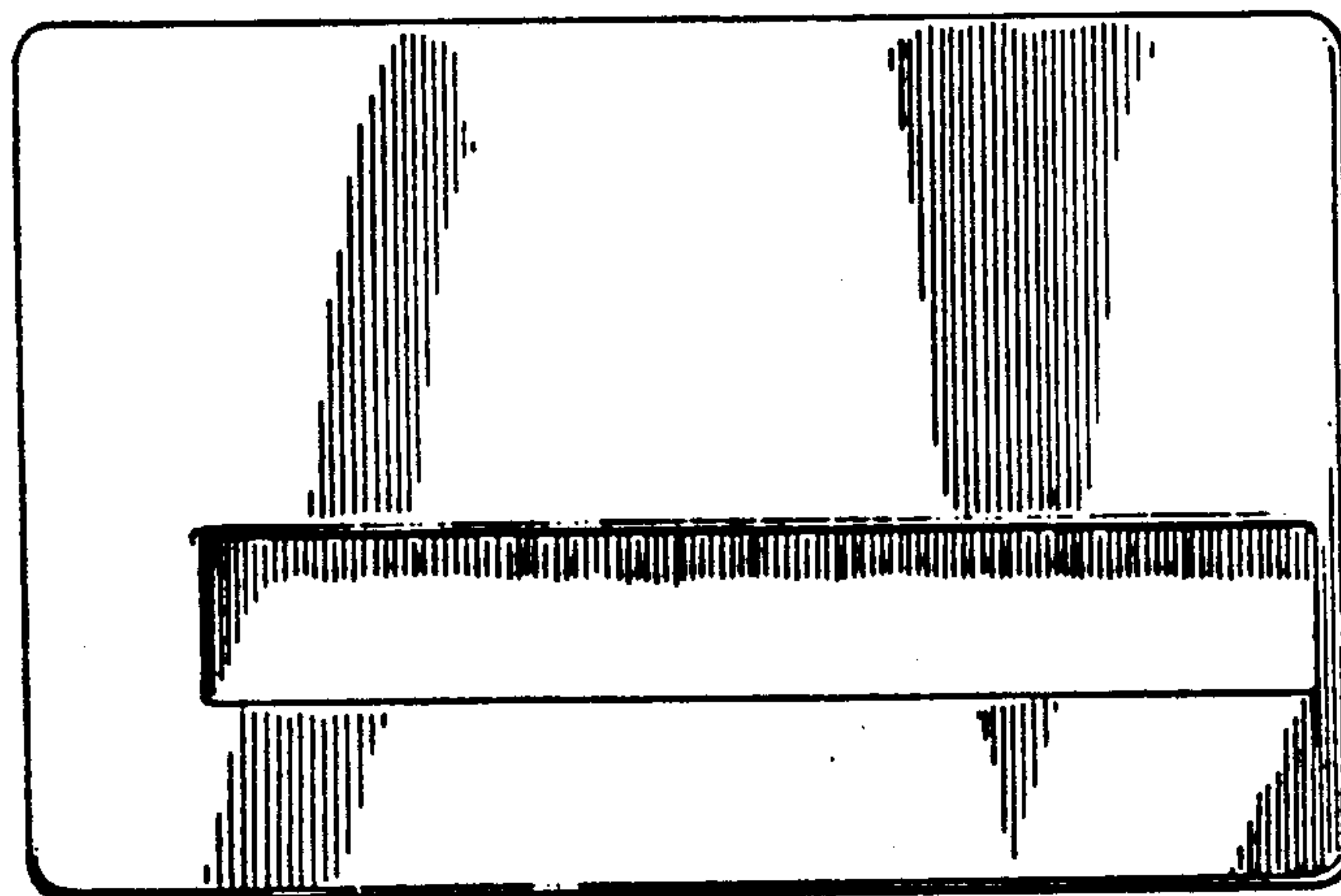
*FIG. 1*



*FIG. 2*



*FIG. 3*



*FIG. 4*



FIG. 5

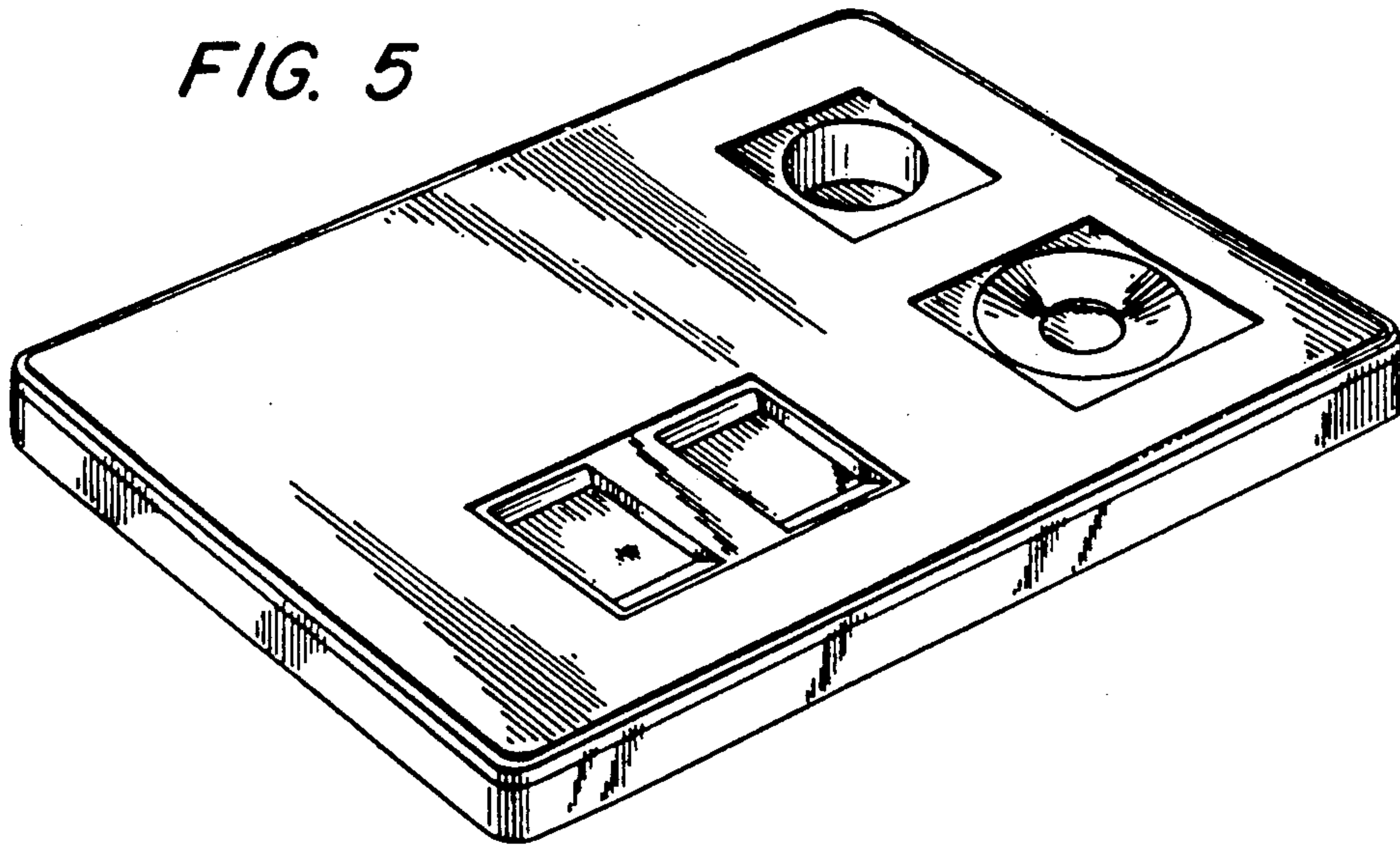


FIG. 6

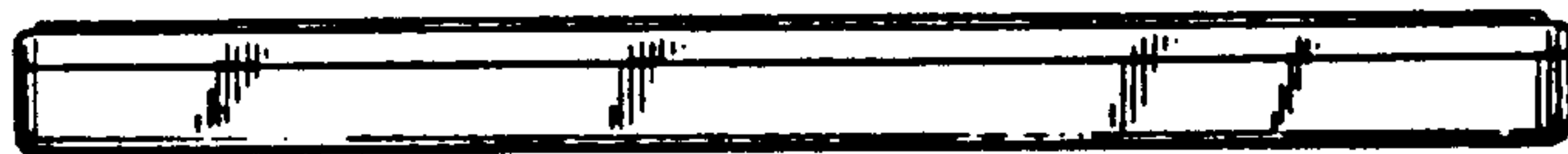


FIG. 7

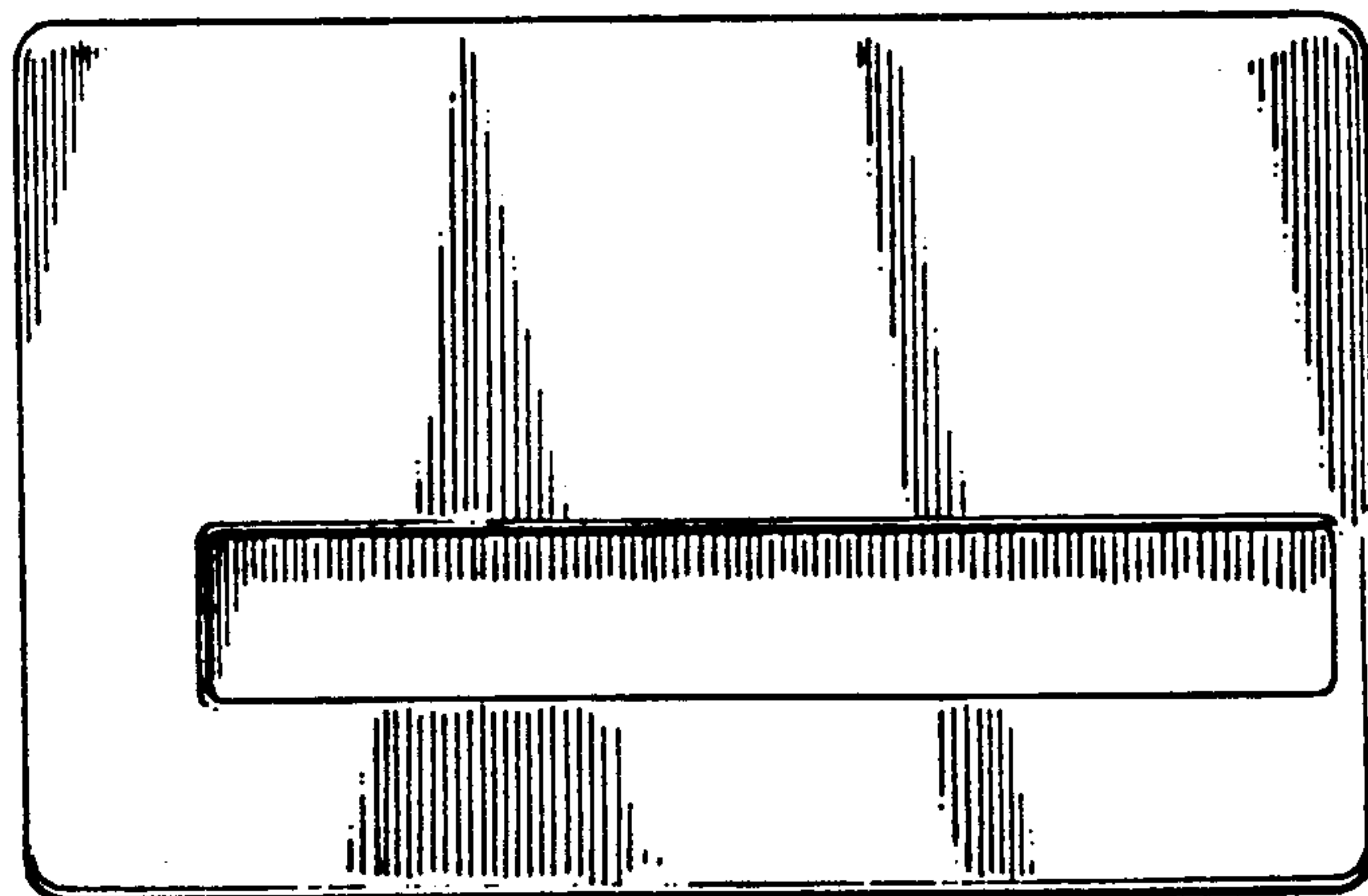


FIG. 8

