



US00D324417S

United States Patent [19]

[11] Patent Number: **Des. 324,417**

Jahnke

[45] Date of Patent: **** Mar. 3, 1992**

[54] **BATH TUB**

[75] Inventor: **William H. Jahnke, Naperville, Ill.**

[73] Assignee: **Oasis Industries, Inc., Batavia, Ill.**

[**] Term: **14 Years**

[21] Appl. No.: **179,123**

[22] Filed: **Apr. 8, 1988**

[52] U.S. Cl. **D23/281**

[58] Field of Search **D23/270-275, D23/276-283, 303, 304; D24/36, 38; 4/538, 539, 541-544, 546, 548, 549, 559, 571-579, 582-584, 589-594; 128/66, 369**

[56] **References Cited**

U.S. PATENT DOCUMENTS

D. 219,215	11/1970	Korol .	
D. 225,225	11/1972	Russell	D23/279
D. 265,582	7/1982	Kohler, Jr. .	
D. 269,460	6/1983	Kohler, Jr. .	
D. 284,890	7/1986	Delepine	D24/38
D. 285,110	8/1986	Burgess et al.	D23/281
D. 286,679	11/1986	D'Innocente et al. .	
D. 288,239	2/1987	D'Innocente et al. .	
1,546,536	7/1925	Black	D23/281 X

OTHER PUBLICATIONS

Paradise Isle TM /Andros Isle TM trade sheet—Oasis Whirlpool Bath.

Domestic Engineering, 5-1987, p. 80—"Palm Springs" corner Whirlpool Bathtub.

Primary Examiner—Susan J. Lucas

[57] **CLAIM**

The ornamental design for a bath tub, as shown and described.

DESCRIPTION

FIG. 1 is a perspective view of a bath tub showing my new design;

FIG. 2 is a top plan view thereof;

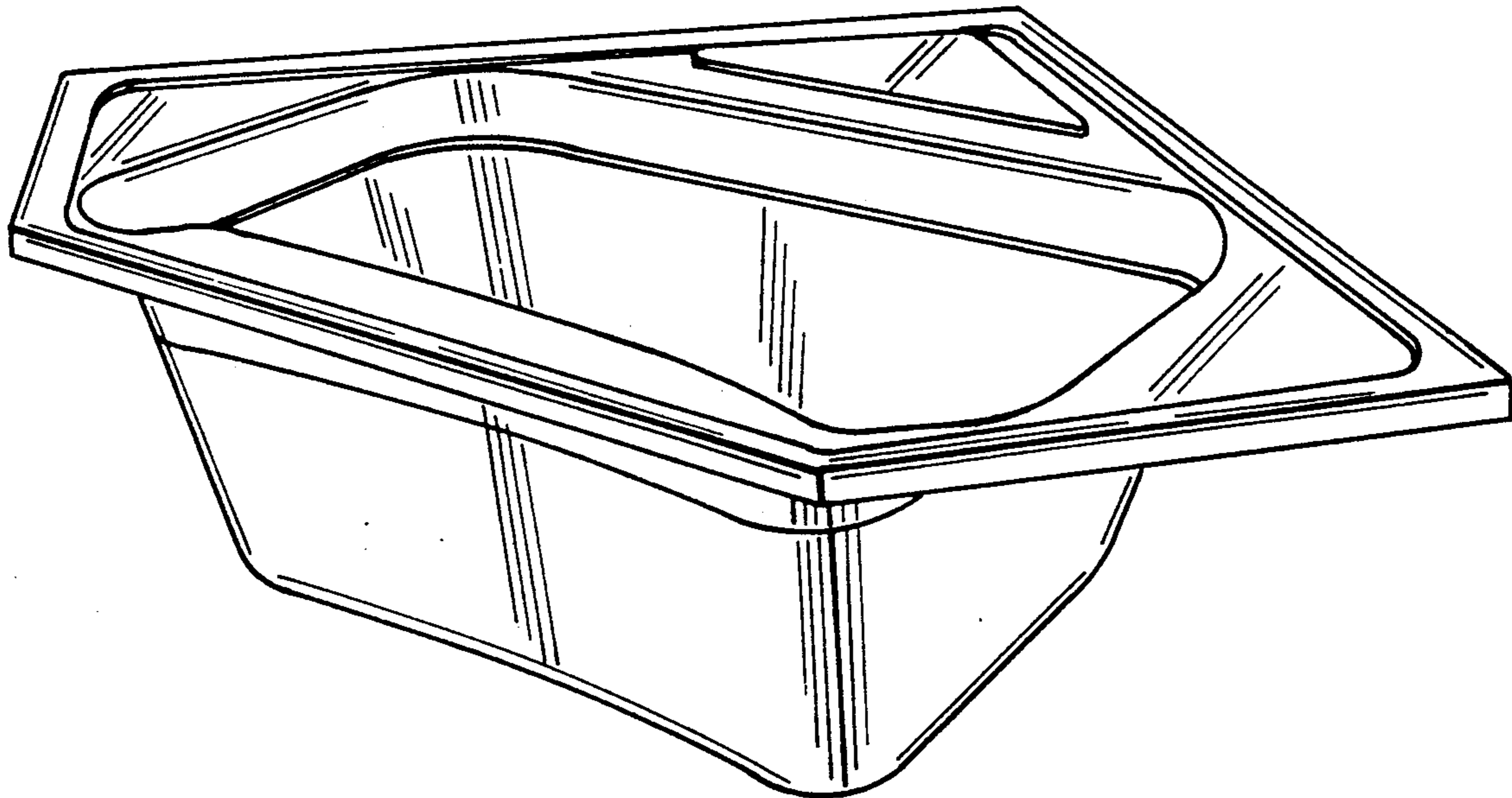
FIG. 3 is a cross sectional view thereof, taken on line 3—3 of FIG. 2;

FIG. 4 is a cross sectional view thereof, taken on line 4—4 of FIG. 2.

FIG. 5 is a side elevational view of the bath tub as seen from the top of FIG. 2;

FIG. 6 is a side elevational view of the bath tub as seen from the left hand side of FIG. 2; and

FIG. 7 is a side elevational view of the bath tub as seen from the bottom of FIG. 2.



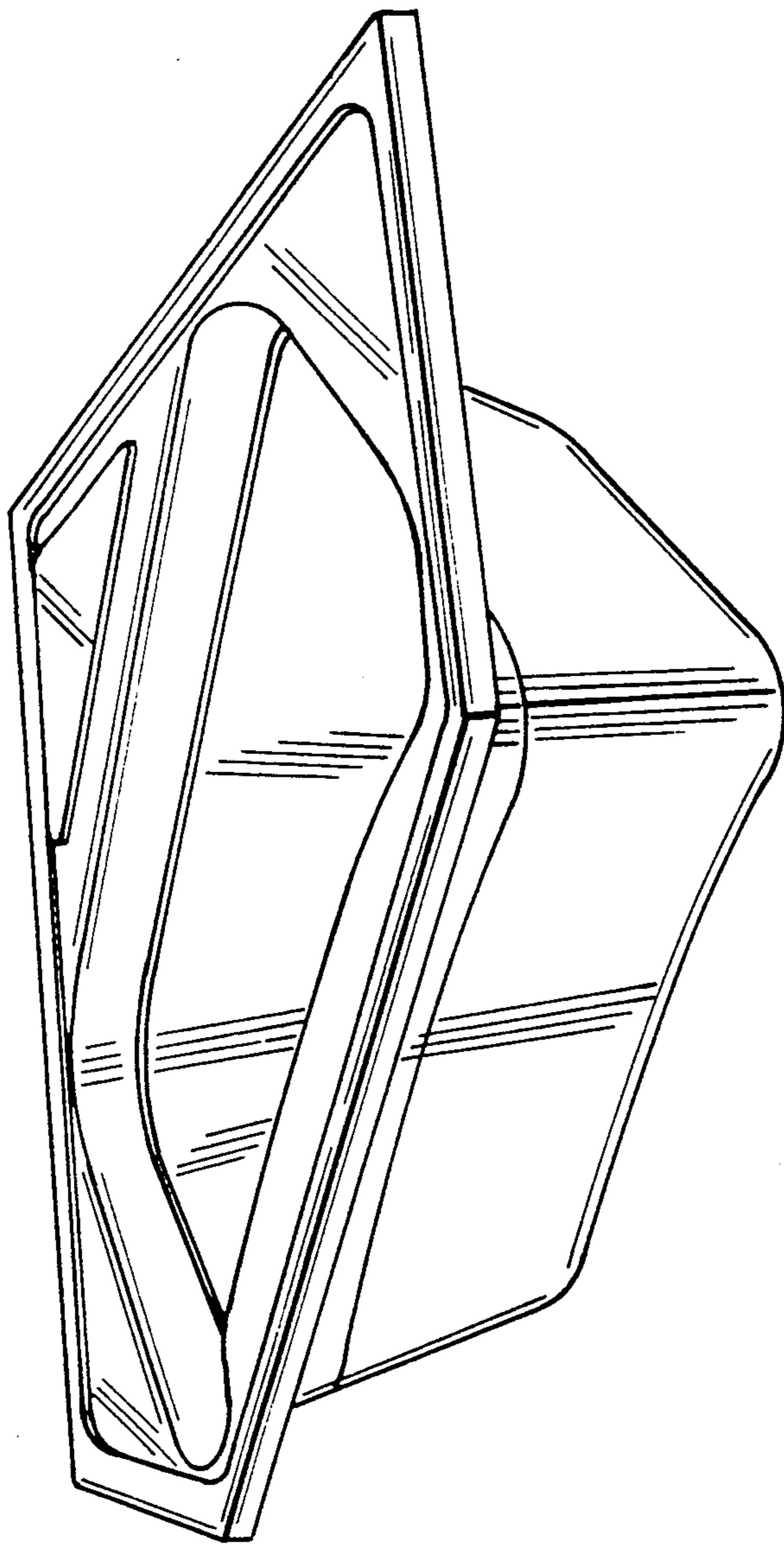


Fig. 1

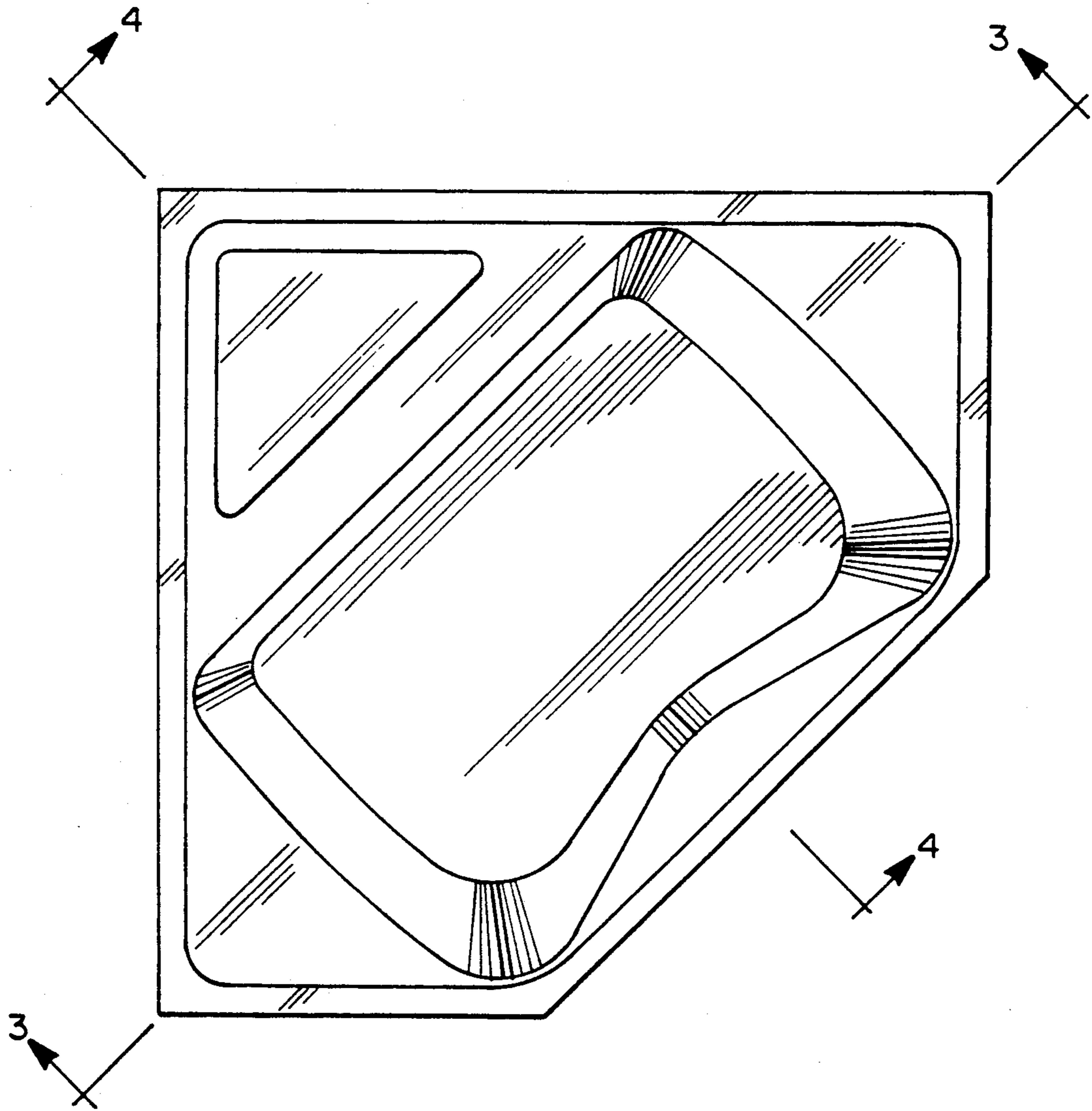


Fig. 2

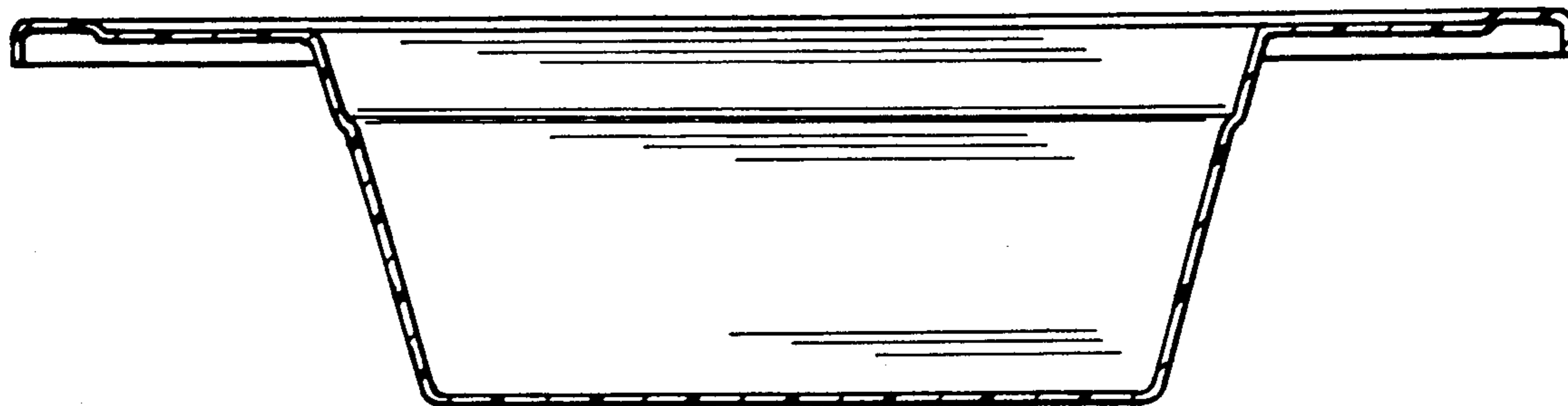


Fig. 3

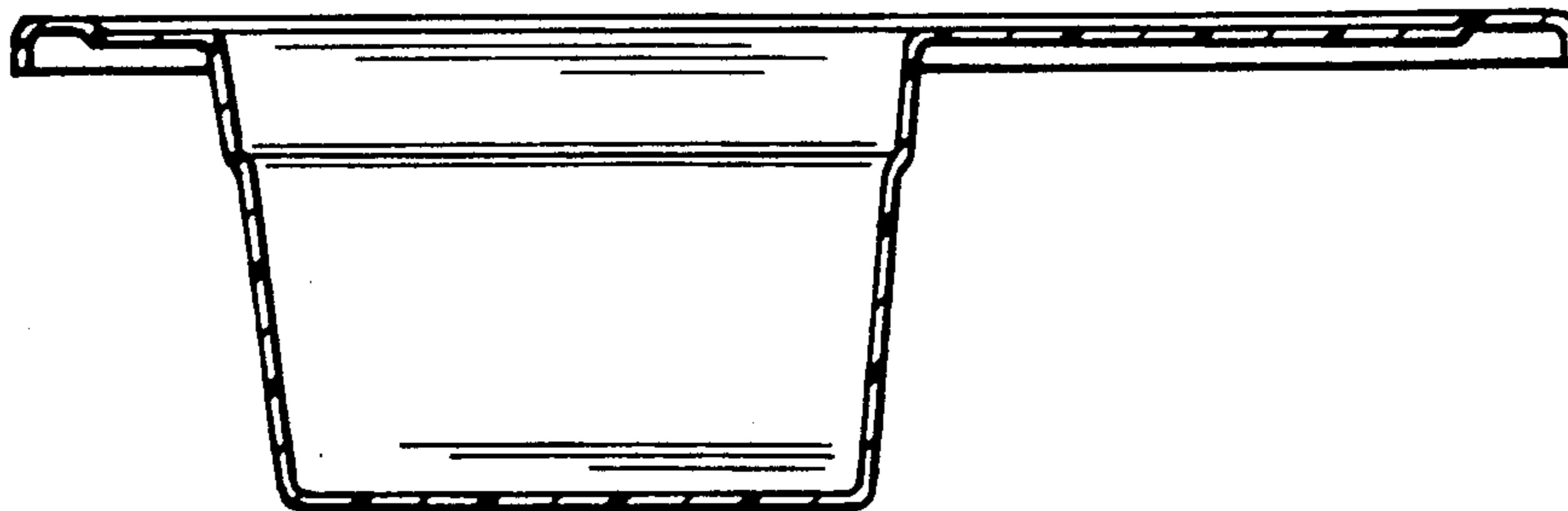


Fig. 4

Fig.5

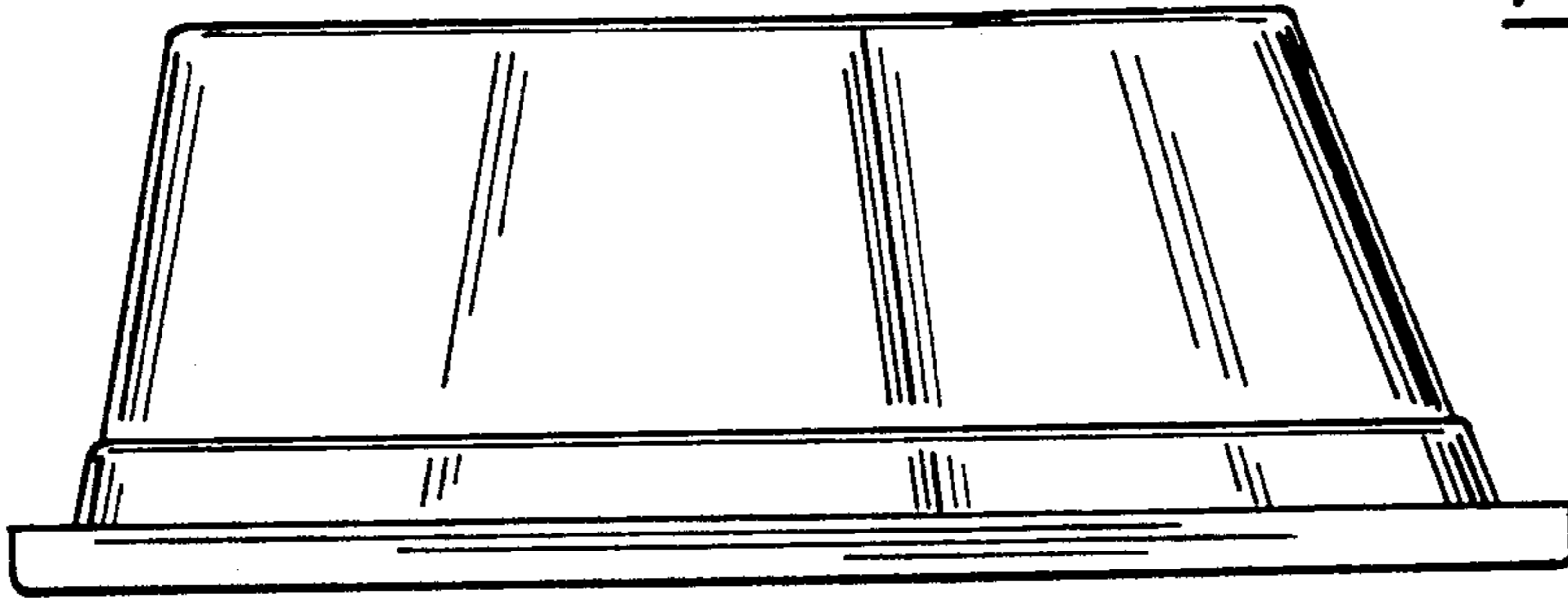


Fig.6

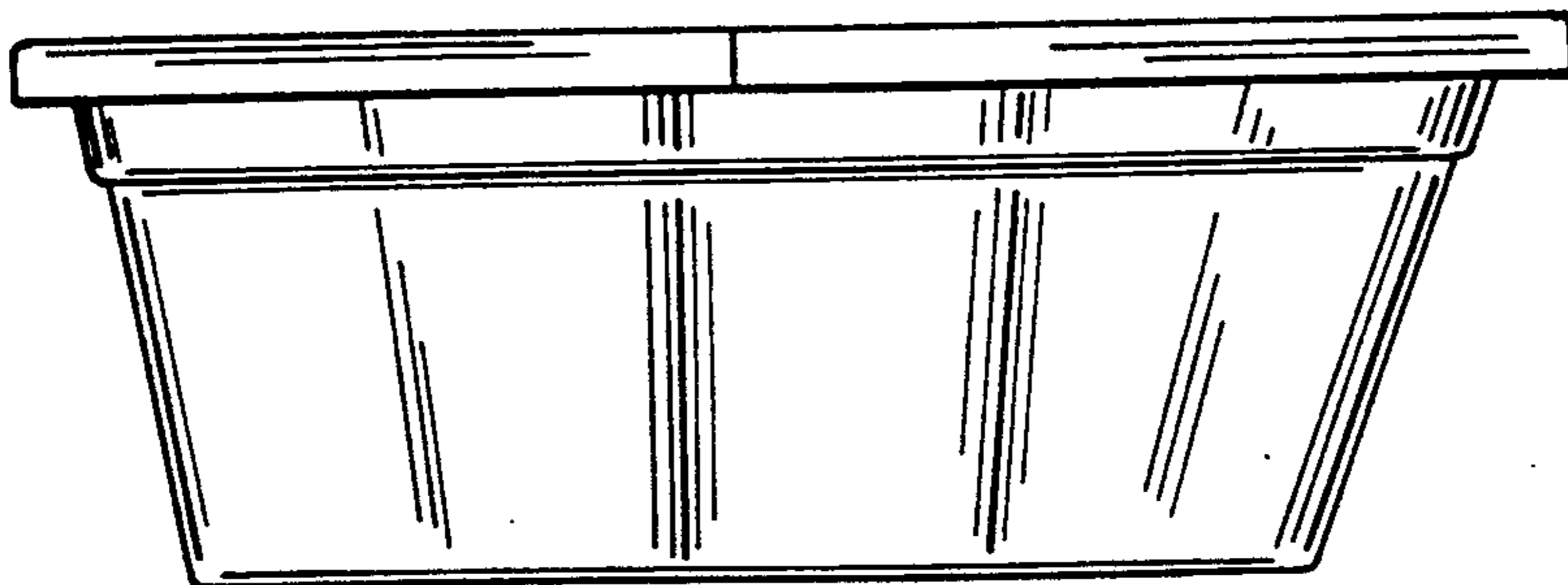
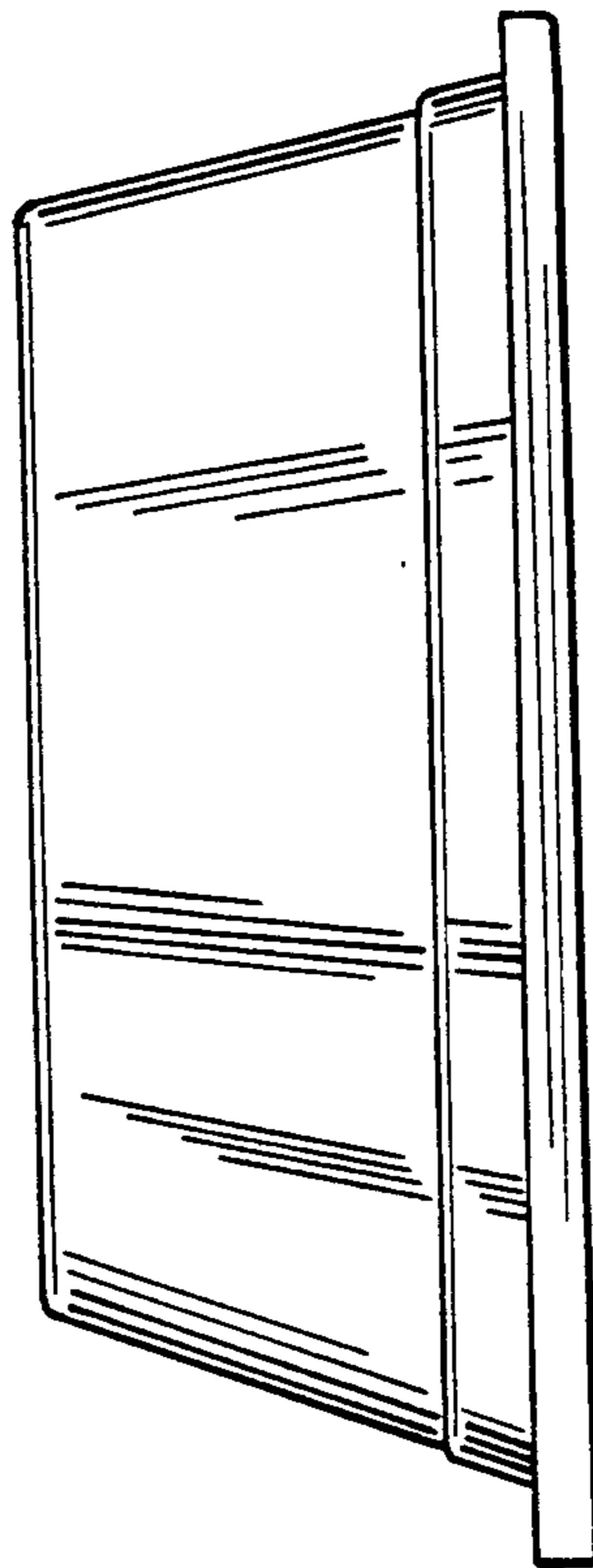


Fig.7