



US00D324408S

United States Patent [19]

[11] Patent Number: **Des. 324,408**

Kameda

[45] Date of Patent: **** Mar. 3, 1992**

[54] **FISHING REEL**

D. 308,406 6/1990 Robbins D22/140
D. 315,011 2/1991 Kameda et al. D22/140

[75] Inventor: **Yasuhisa Kameda, Musashino, Japan:**

FOREIGN PATENT DOCUMENTS

[73] Assignee: **Daiwa Seiko, Inc., Tokyo, Japan**

652499 11/1987 Japan .
725257 2/1988 Japan .

[**] Term: **14 Years**

Primary Examiner—A. Hugo Word
Assistant Examiner—Doris V. Coles
Attorney, Agent, or Firm—Cushman, Darby & Cushman

[21] Appl. No.: **366,017**

[22] Filed: **Jun. 13, 1989**

[30] **Foreign Application Priority Data**

[57] **CLAIM**

Dec. 14, 1988 [JP] Japan 63-48824

The ornamental design for a fishing reel, as shown and described.

[52] U.S. Cl. **D22/140**

[58] Field of Search D22/140, 141; 242/257,
242/258, 259, 260, 261, 262, 279

DESCRIPTION

[56] **References Cited**

U.S. PATENT DOCUMENTS

D. 258,904 4/1981 Myojo D22/140
D. 273,974 5/1984 Myojo D22/140
D. 274,349 6/1984 Myojo D22/140
D. 275,781 10/1984 Myojo D22/140
D. 280,846 10/1985 Sakamoto et al. D22/140
D. 290,635 6/1987 Nakamura D22/140
D. 299,511 1/1989 Kameda et al. D22/140
D. 300,166 3/1989 Myojo D22/140

FIG. 1 is a front, top, and left side perspective view of a fishing reel, showing my new design;
FIG. 2 is a front, top, and right side perspective view thereof;
FIG. 3 is a rear top and side perspective view thereof;
FIG. 4 is a front elevational view thereof;
FIG. 5 is a top plan view thereof;
FIG. 6 is a rear elevational view thereof;
FIG. 7 is a bottom plan view thereof;
FIG. 8 is a left side elevational view thereof; and
FIG. 9 is a right side elevational view thereof.

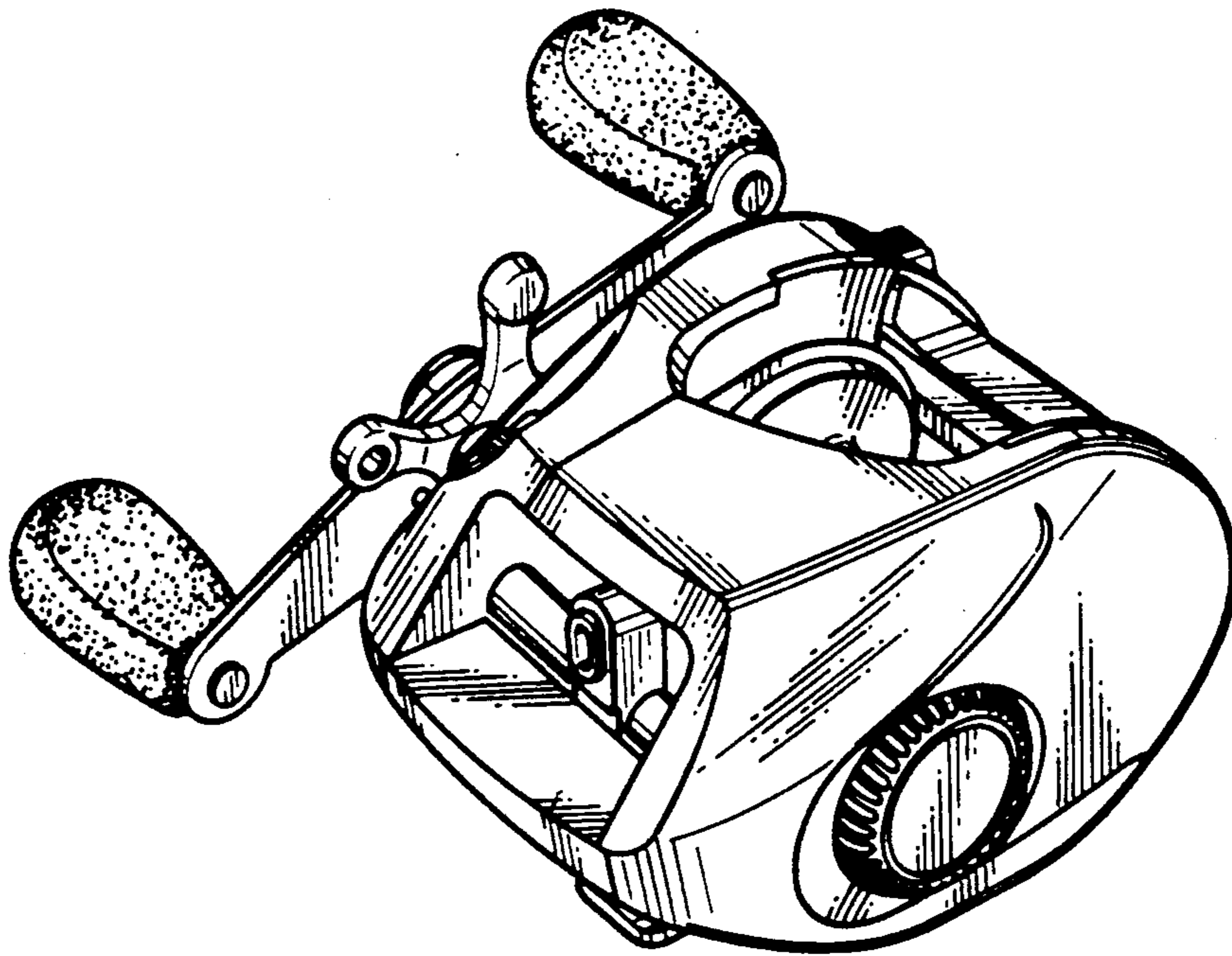


Fig. 1

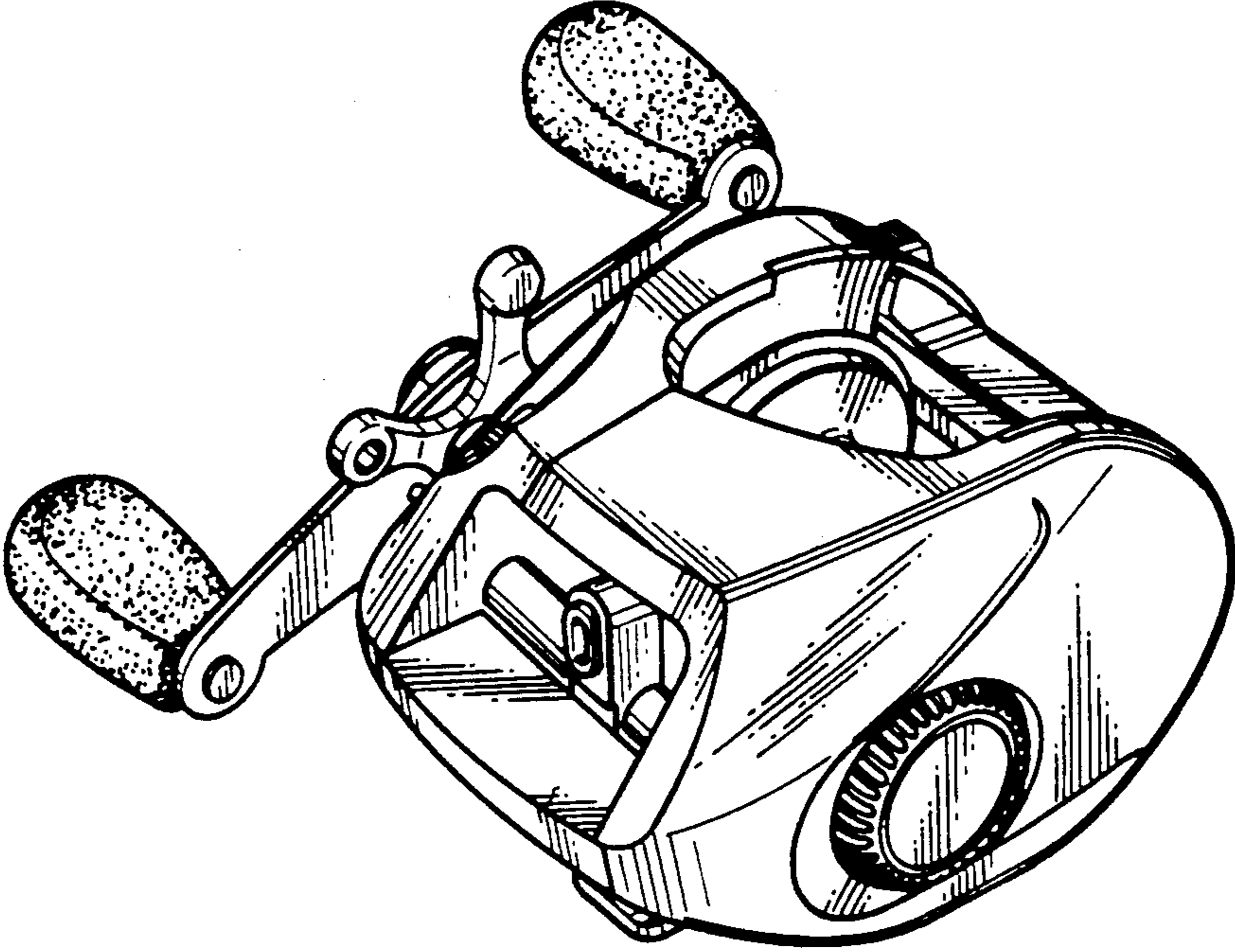


Fig. 2

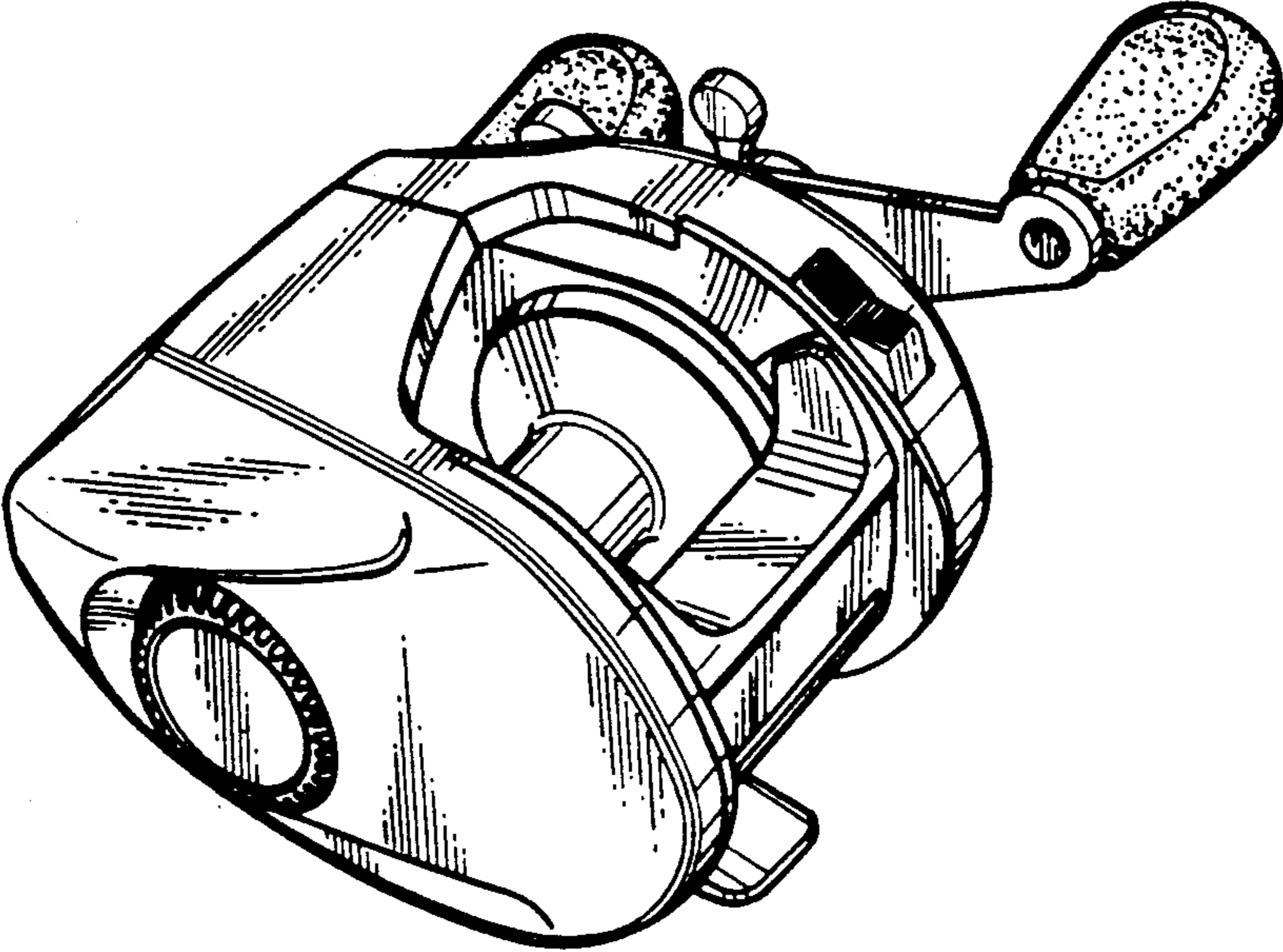


Fig. 3

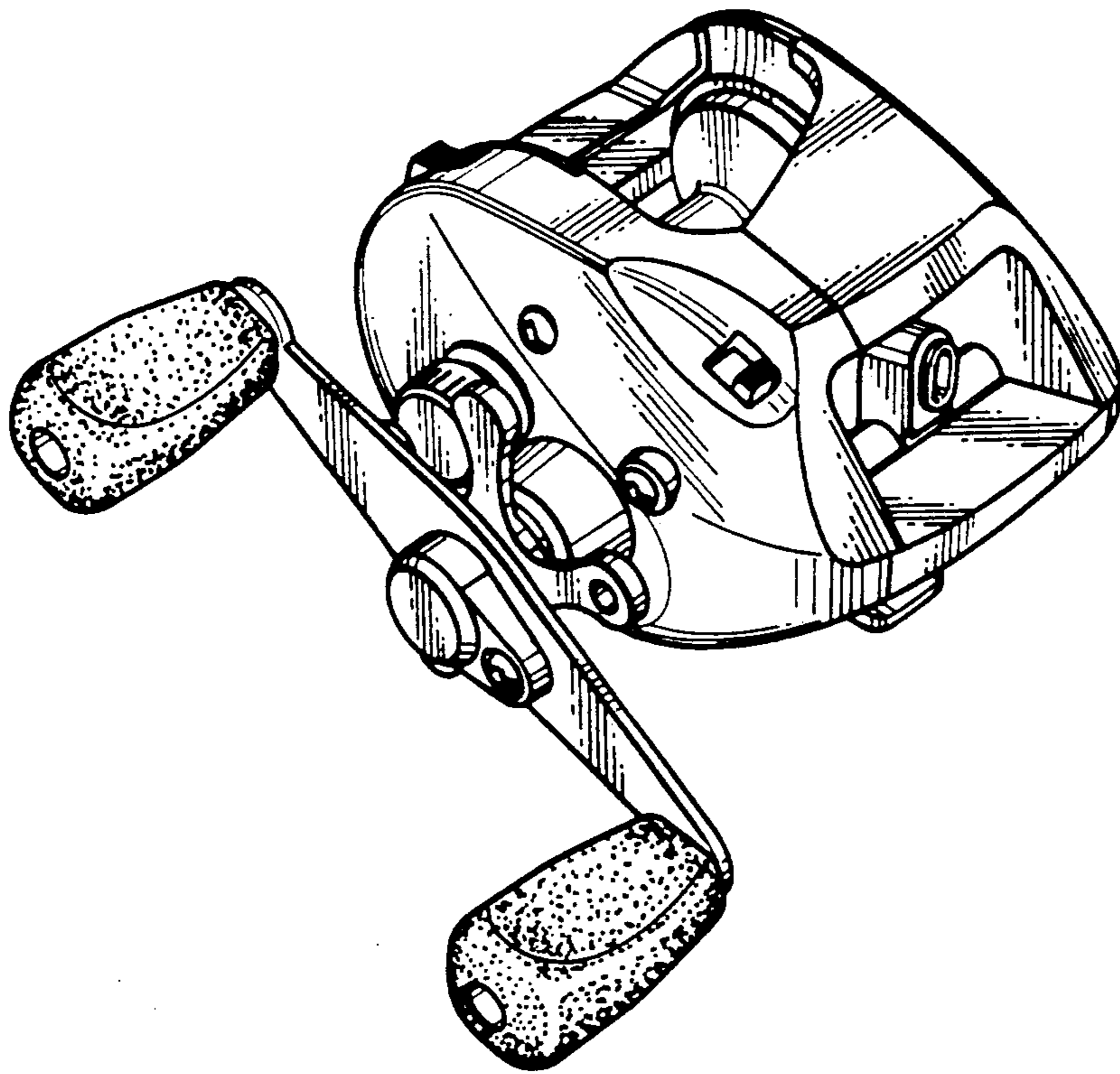


Fig. 4

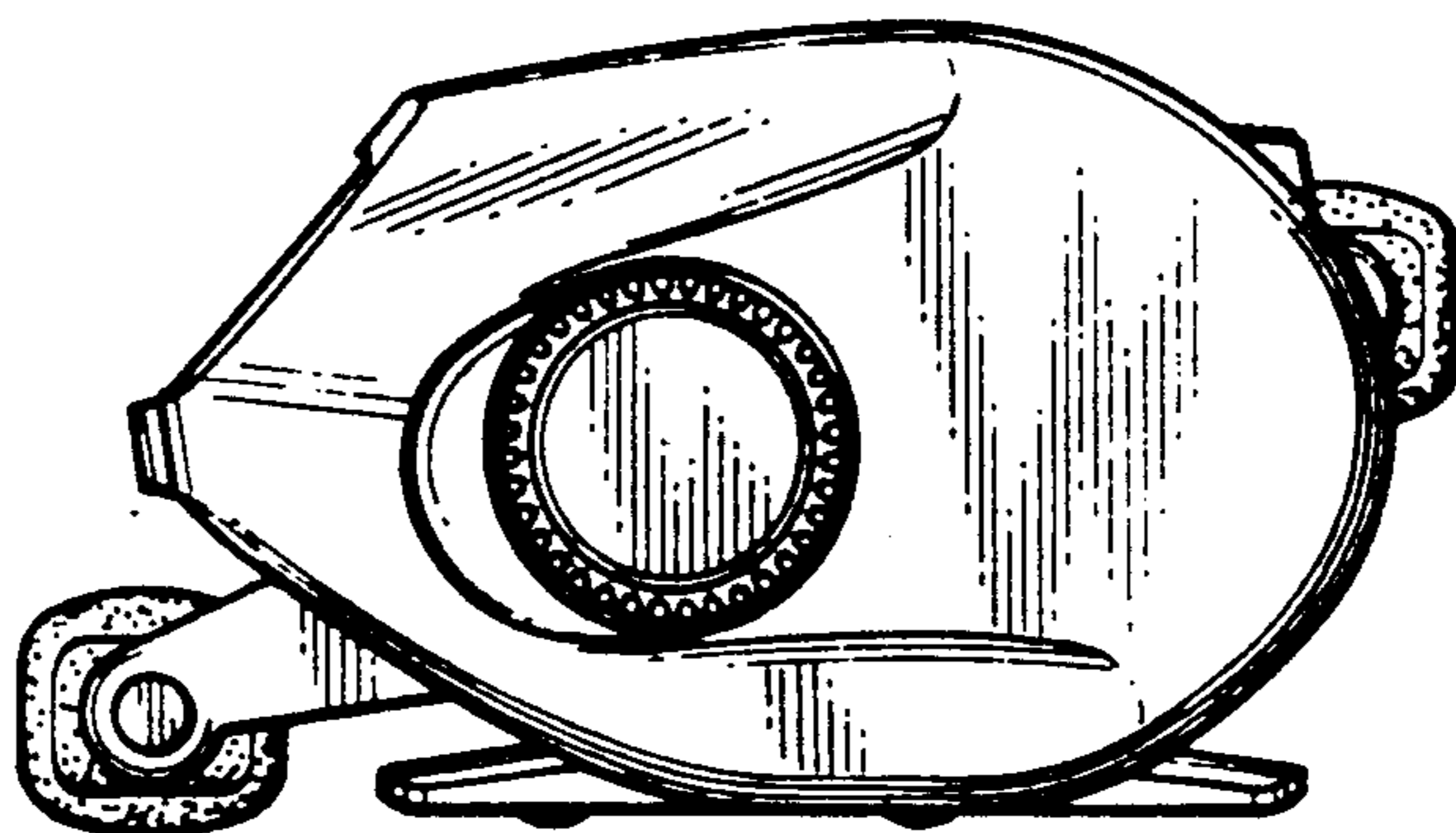


Fig. 5

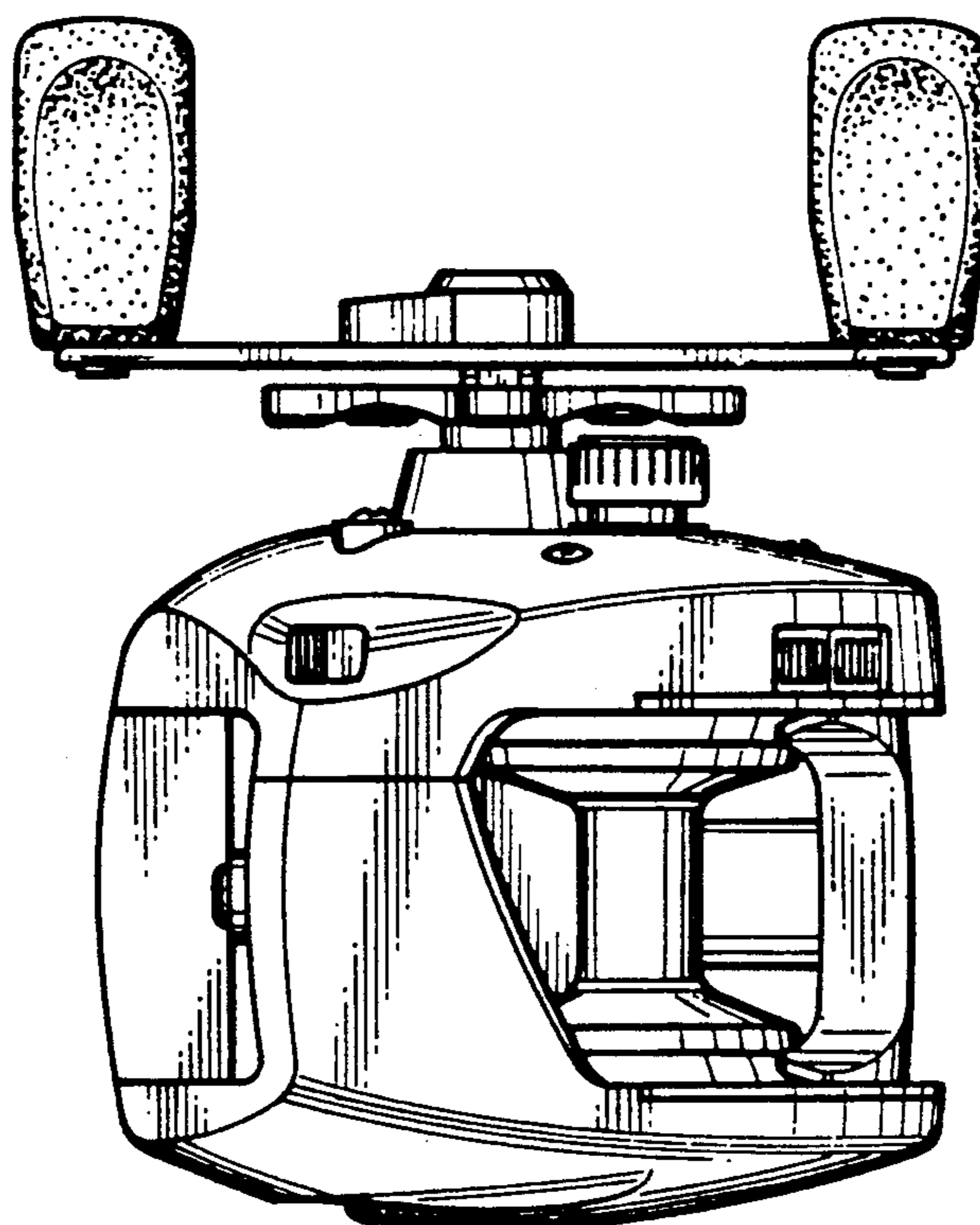


Fig. 6

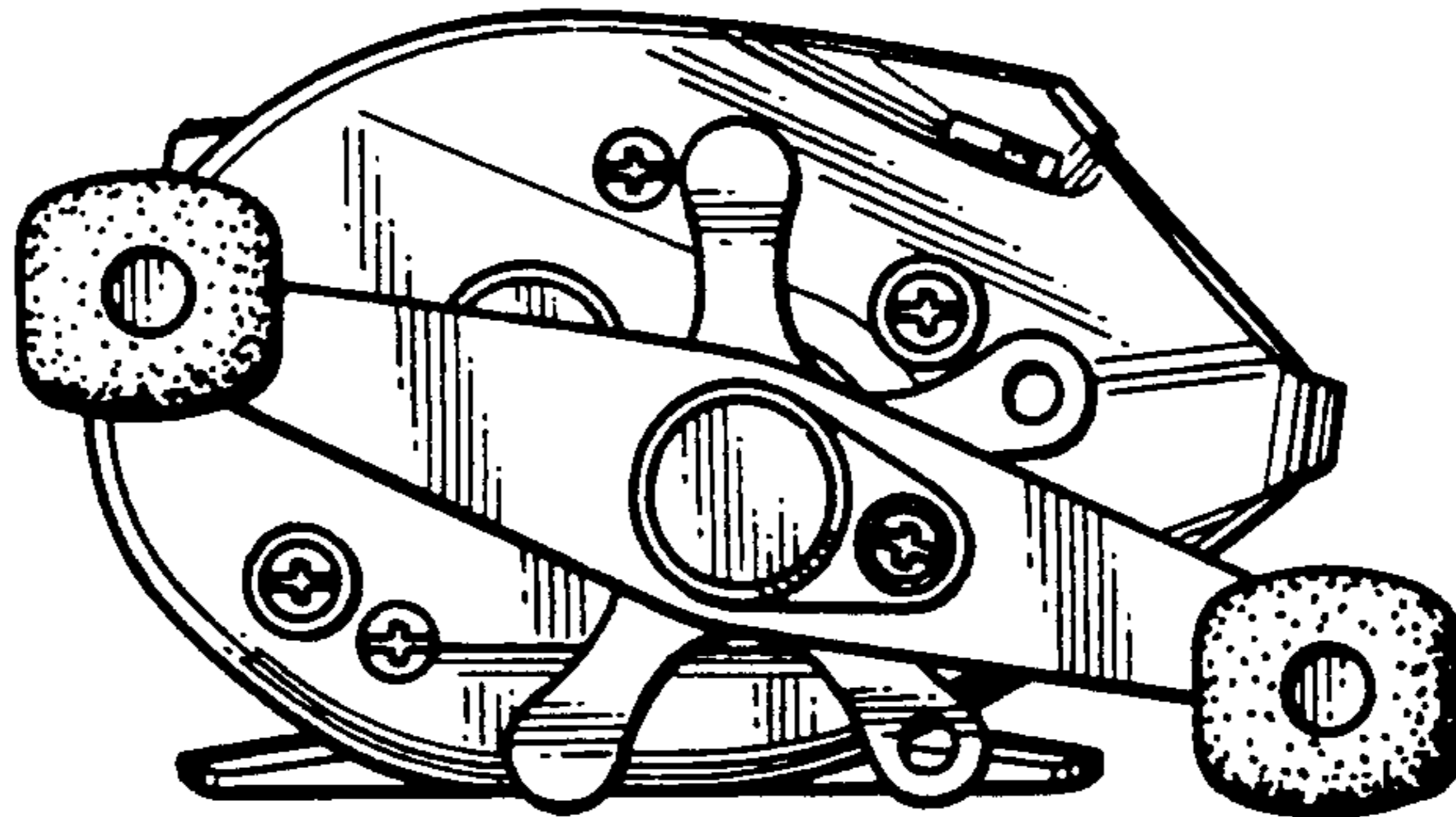


Fig. 7

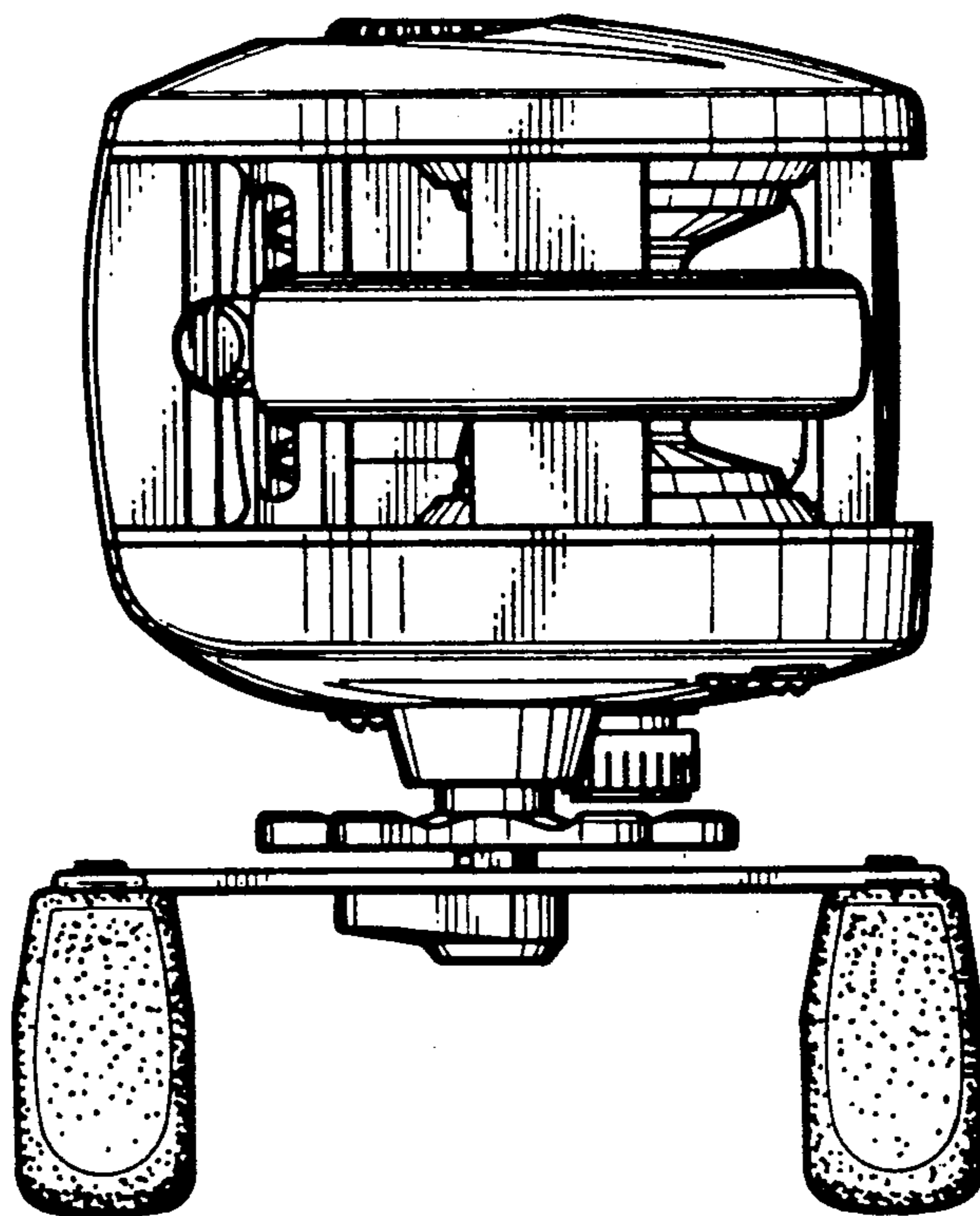


Fig. 8

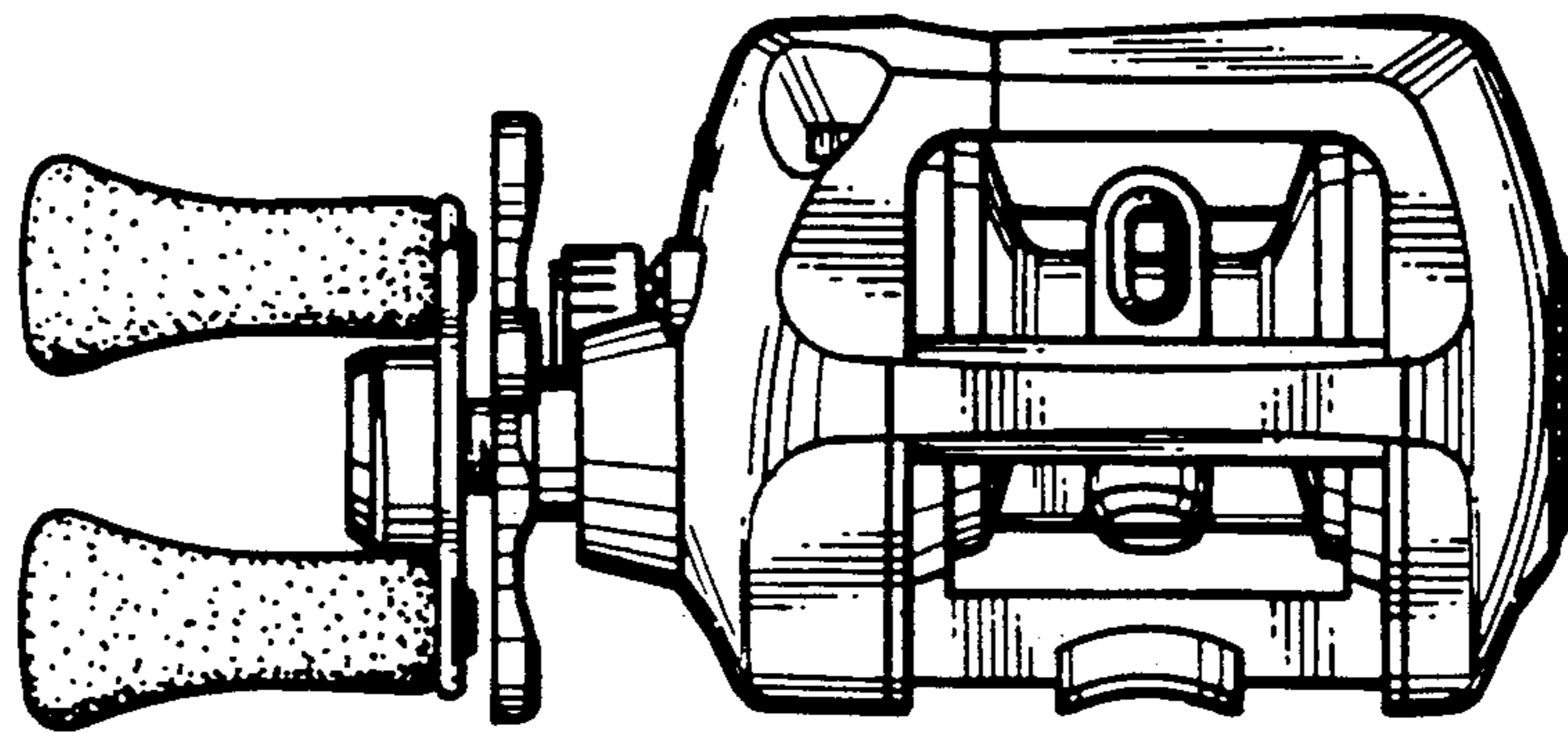


Fig. 9

