



US00D324406S

# United States Patent [19]

Brefka

[11] Patent Number: **Des. 324,406**

[45] Date of Patent: **\*\* Mar. 3, 1992**

[54] **INSECT CONTAMINATION CHAMBER**  
 [75] Inventor: **Paul E. Brefka**, Southborough, Mass.  
 [73] Assignee: **EcoScience Laboratories, Inc.**,  
 Amherst, Mass.  
 [\*\*] Term: **14 Years**  
 [21] Appl. No.: **402,445**  
 [22] Filed: **Sep. 1, 1989**  
 [52] U.S. Cl. .... **D22/122**  
 [58] Field of Search ..... **D22/119, 122;**  
**43/114-115, 121, 124, 131, 132.1**

4,642,935 2/1987 Fierer ..... 43/121  
 4,696,127 9/1987 Dobbs ..... 43/121  
 4,709,502 12/1987 Bierman ..... 43/112  
 4,782,621 11/1988 Wissman ..... 43/131  
 4,793,093 12/1988 Gentile ..... 43/131

### FOREIGN PATENT DOCUMENTS

2095965 10/1982 United Kingdom .

### OTHER PUBLICATIONS

Five (5) photographs illustrating a device which applicant believes may be intended to function as an insect trap or exterminating device.  
 Advertisement for RAID MAX Roach Bait, *Parade Magazine*, May 21, 1989, p. 11.

*Primary Examiner*—A. Hugo Word  
*Assistant Examiner*—Doris V. Coles  
*Attorney, Agent, or Firm*—Kilpatrick & Cody

### [56] References Cited

#### U.S. PATENT DOCUMENTS

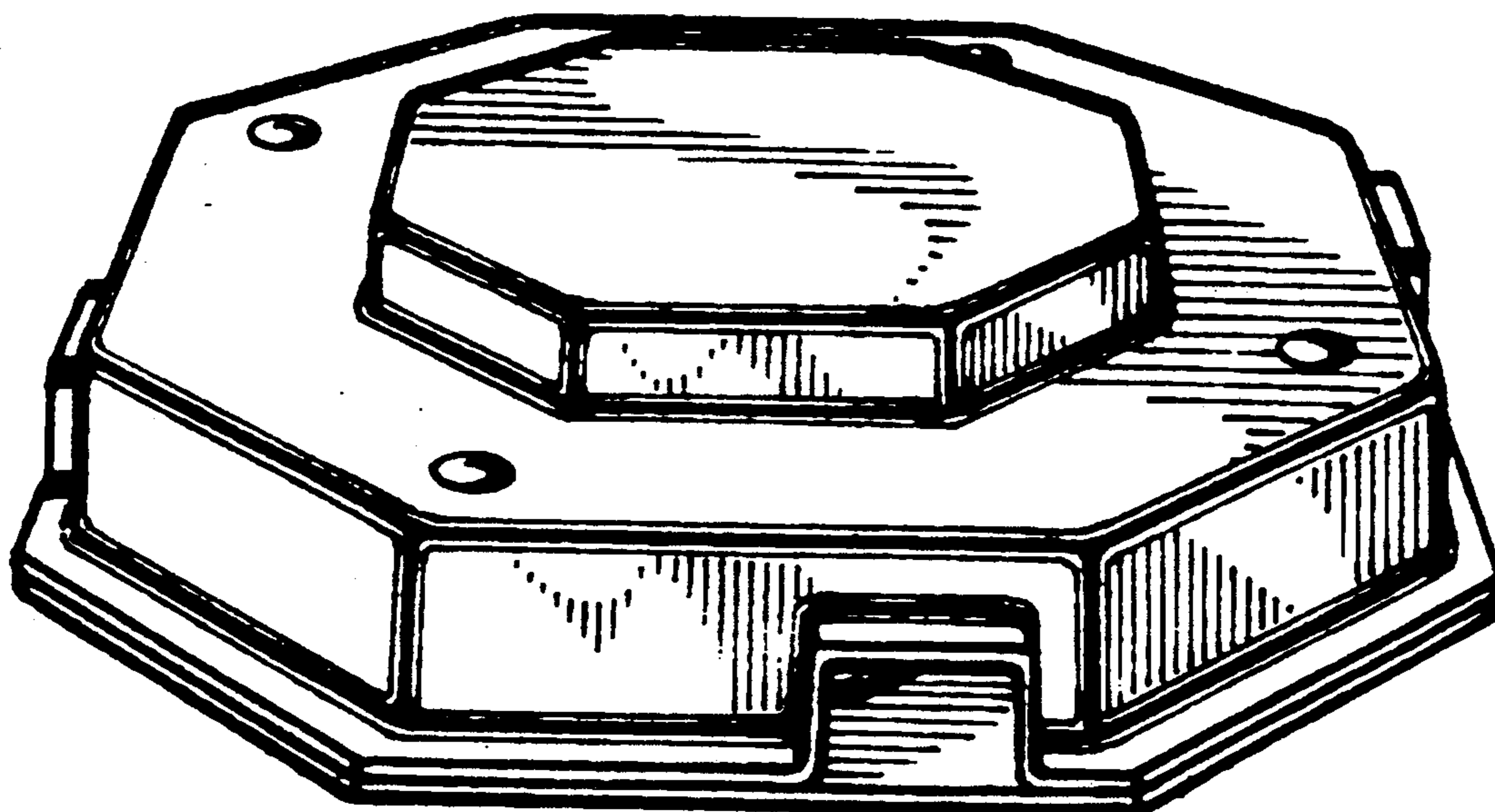
D. 269,290 6/1983 Carlsen ..... D22/119  
 D. 273,032 3/1984 Woodruff ..... D22/122  
 D. 275,124 8/1984 Carlsen ..... D22/119  
 D. 278,842 5/1985 Woodruff ..... D22/119  
 D. 305,924 2/1990 Demarest ..... D22/122  
 3,851,417 12/1974 Wunsche ..... 43/121  
 3,908,302 9/1975 Carr ..... 43/121  
 3,913,259 10/1975 Nishimura et al. .... 43/114  
 3,931,692 1/1976 Hermanson ..... 43/131  
 3,940,874 3/1976 Katsuda ..... 43/114  
 4,030,233 6/1977 Wunsche ..... 43/121  
 4,152,862 5/1979 Mohiuddin ..... 43/121  
 4,173,093 11/1979 Nakai ..... 43/121  
 4,208,828 6/1980 Hall et al. .... 43/114  
 4,266,363 5/1981 Chen ..... 43/121 X  
 4,316,344 2/1982 Carlsen ..... 43/114  
 4,395,842 8/1983 Margulies ..... 43/114  
 4,400,905 8/1983 Brown ..... 43/132.1  
 4,411,094 10/1983 Spackova et al. .... 43/121  
 4,423,564 1/1984 Davies et al. .... 43/121  
 4,563,836 1/1986 Woodruff et al. .... 43/131  
 4,608,774 9/1986 Sherman ..... 43/114

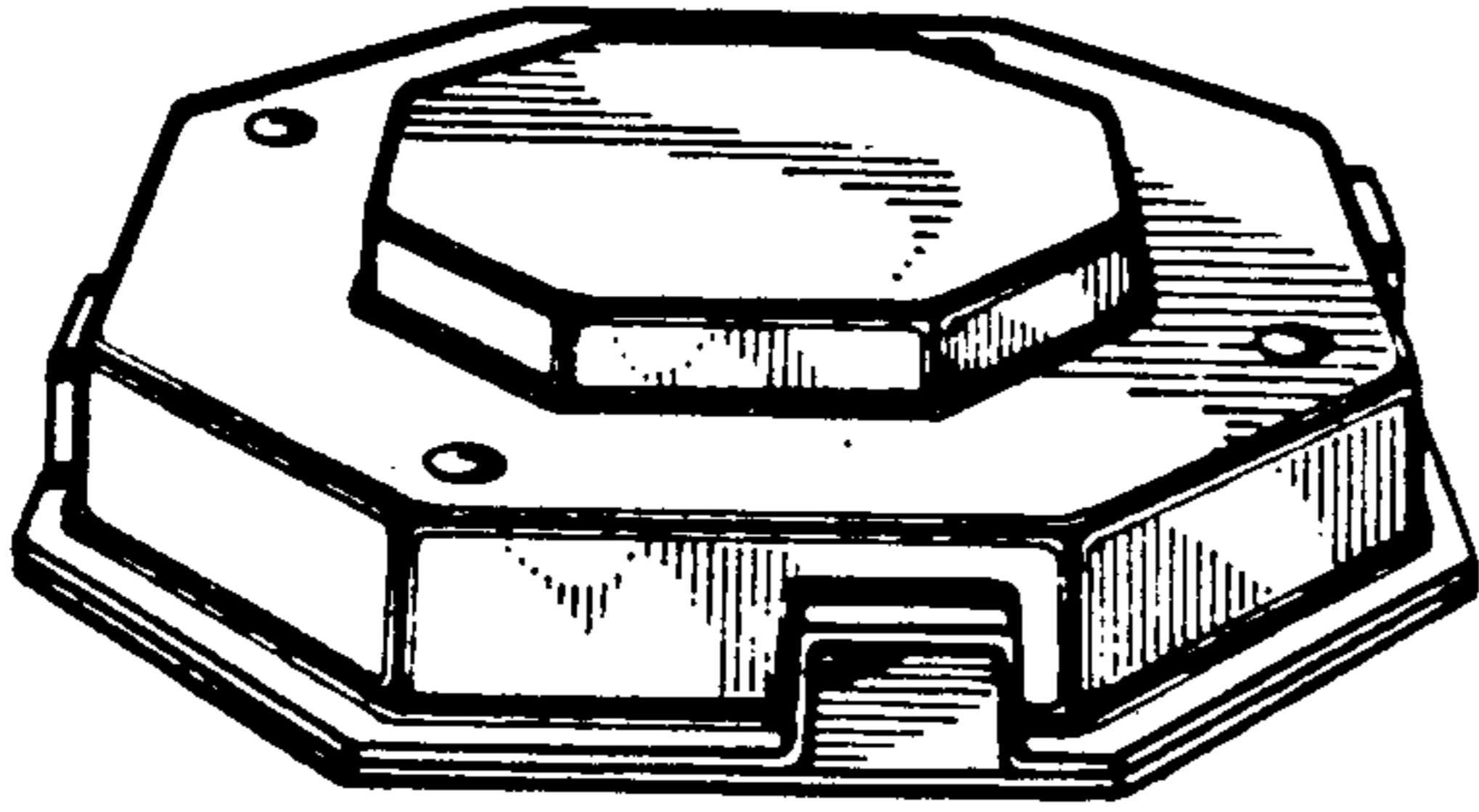
### [57] CLAIM

The ornamental design for an insect contamination chamber, as shown and described.

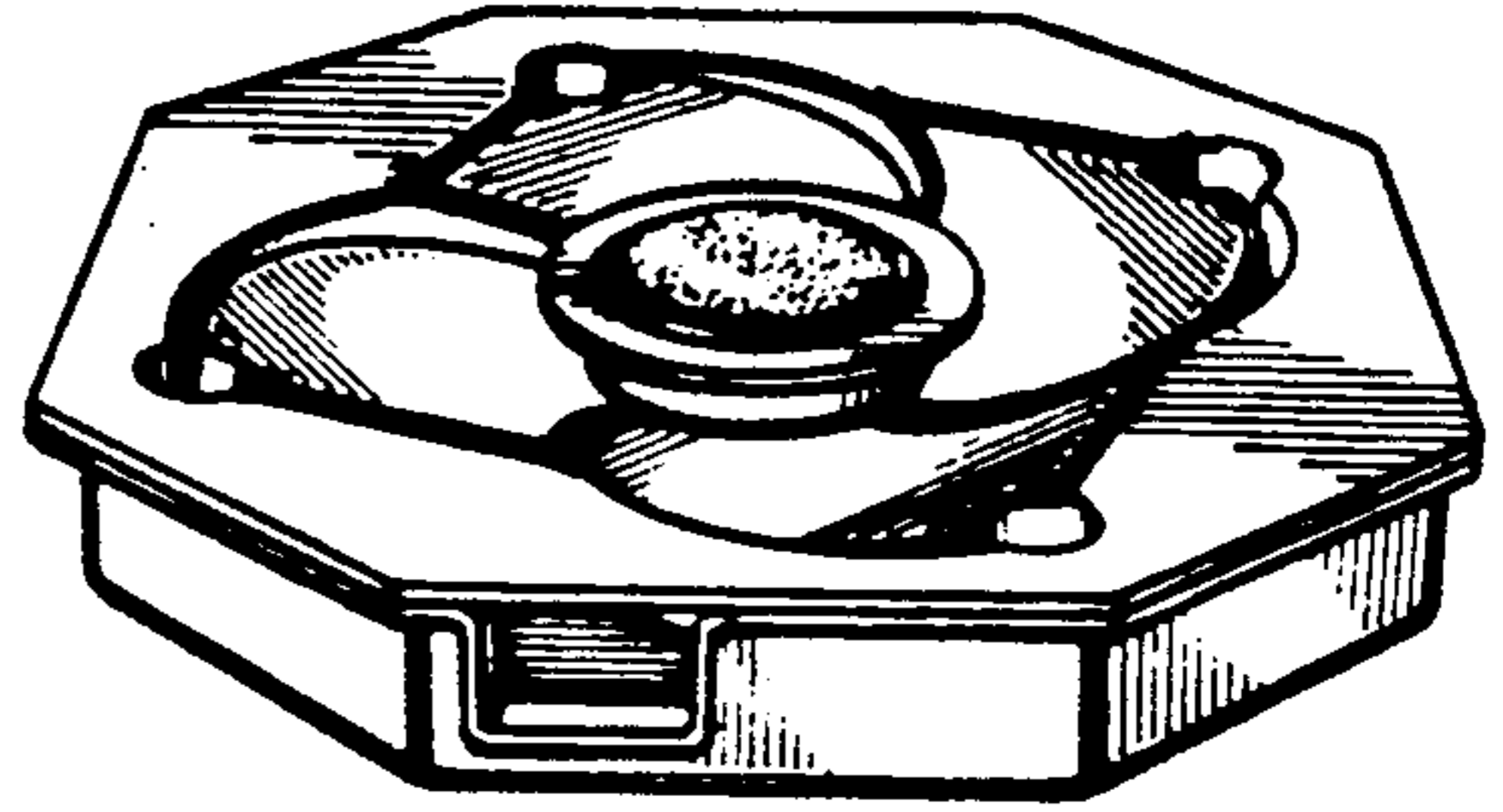
### DESCRIPTION

FIG. 1 is a top and side perspective view of an insect contamination chamber showing my new design;  
 FIG. 2 is a bottom and side perspective view thereof;  
 FIG. 3 is a top plan view thereof;  
 FIG. 4 is a bottom plan view thereof;  
 FIG. 5 is a side elevational view, the opposite side being a mirror image thereof;  
 FIG. 6 is a side elevational view, taken from a 45 degree angle to that shown in FIG. 5, the opposite side being a mirror image thereof; and  
 FIG. 7 is a cross-sectional view taken along line 7—7 of FIG. 3.

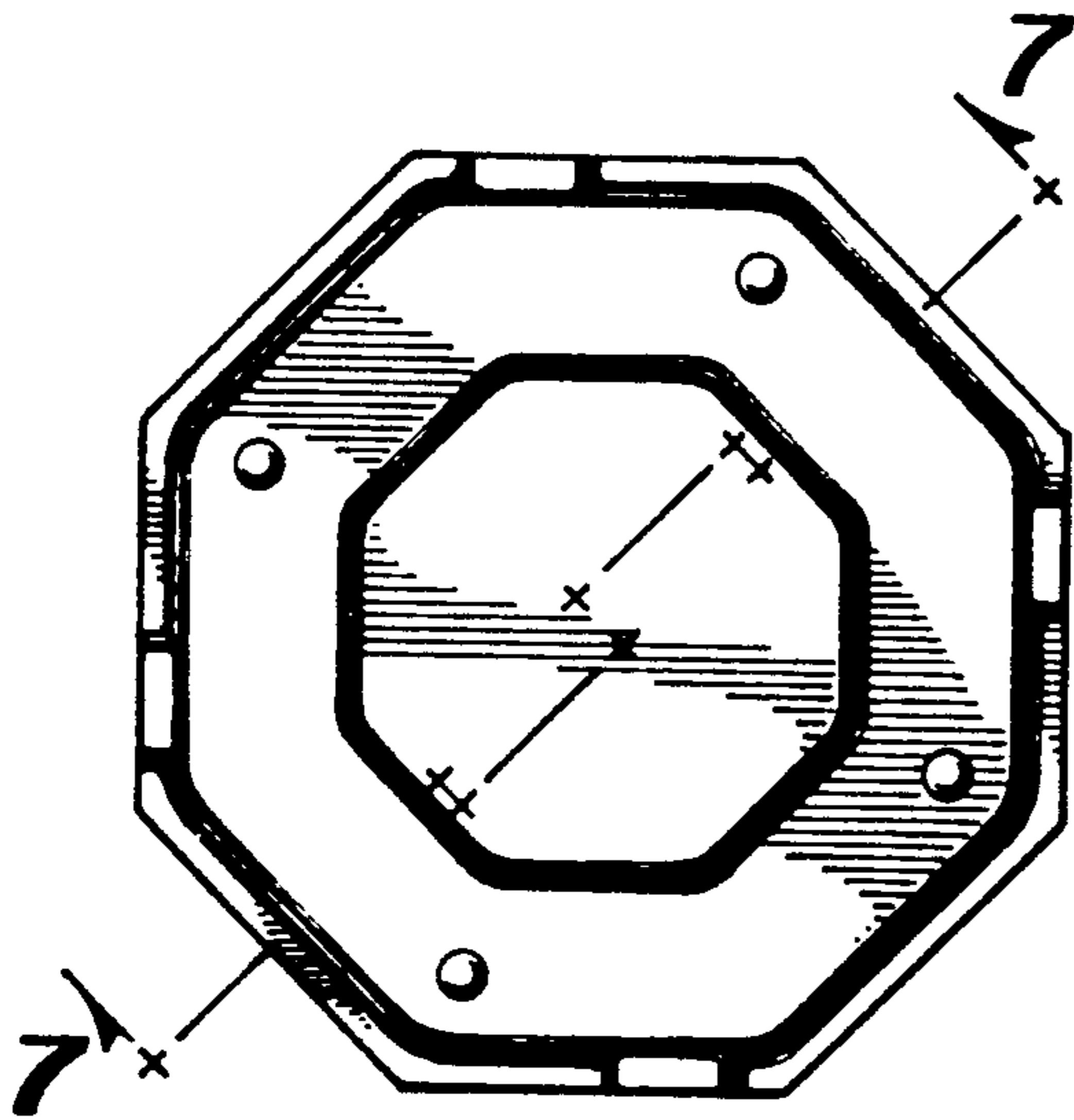




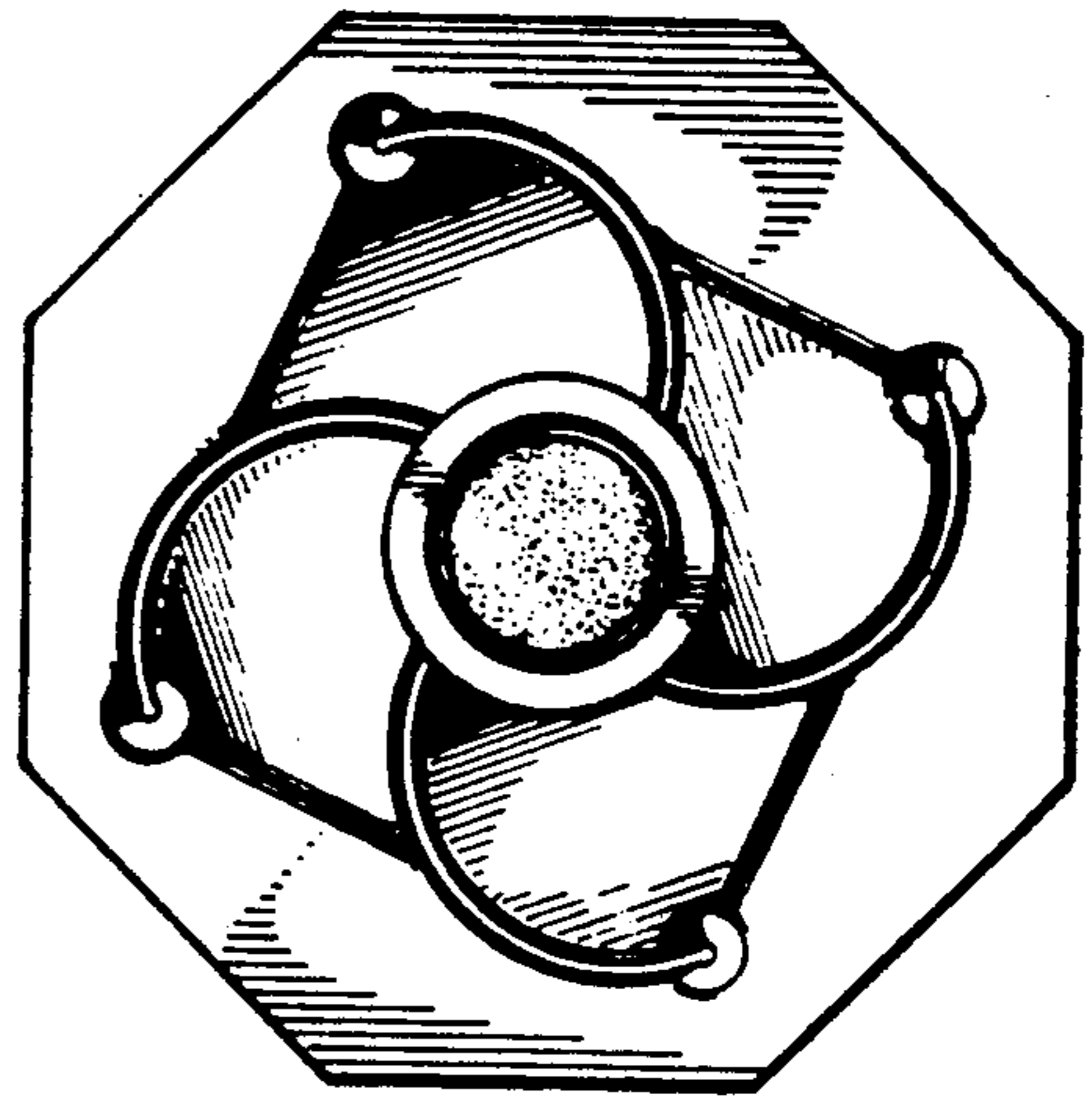
**FIG 1**



**FIG 2**



**FIG 3**



**FIG 4**



**FIG 5**



**FIG 6**



**FIG 7**