



US00D324393S

United States Patent [19]
Samson

[11] **Patent Number: Des. 324,393**
[45] **Date of Patent: ** Mar. 3, 1992**

[54] **GEAR BOX**

[75] **Inventor: Jean-Paul Samson, Valcourt, Canada**

[73] **Assignee: Bombardier Inc., Canada**

[**] **Term: 14 Years**

[21] **Appl. No.: 384,479**

[22] **Filed: Jul. 25, 1989**

[30] **Foreign Application Priority Data**

Feb. 22, 1989 [CA] Canada 2202892

[52] **U.S. Cl. D15/149**

[58] **Field of Search D15/148, 149; 74/606 R,
74/608, 609**

[56] **References Cited**

U.S. PATENT DOCUMENTS

- D. 288,821 3/1987 MacDonald D15/148
- 4,708,027 11/1987 Stenner 74/606 R X
- 4,932,289 6/1990 Bitcon 74/606 R

FOREIGN PATENT DOCUMENTS

- 14106 4/1945 Canada .
- 14107 4/1945 Canada .
- 22113 2/1958 Canada .
- 22112 3/1958 Canada .
- 22114 3/1958 Canada .
- 52184 5/1983 Canada .
- 53313 4/1984 Canada .

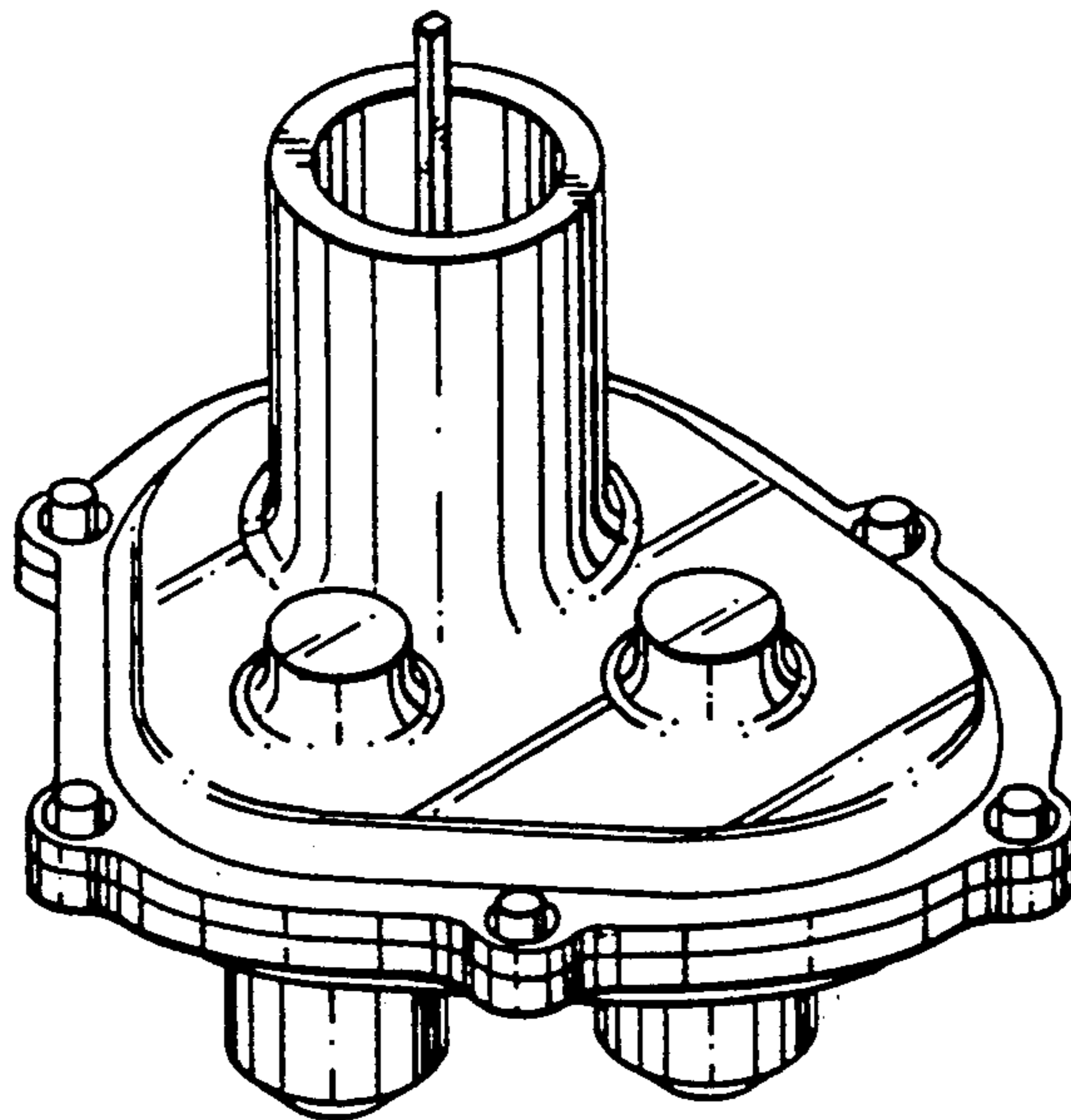
Primary Examiner—Bruce W. Dunkins
Assistant Examiner—Antoine D. Davis
Attorney, Agent, or Firm—Larson and Taylor

[57] **CLAIM**

The ornamental design for a gear box, as shown.

DESCRIPTION

FIG. 1 is a top perspective view of a gear box showing my new design;
FIG. 2 is a bottom perspective view;
FIG. 3 is a side elevational view; and
FIG. 4 is another side elevational view thereof.



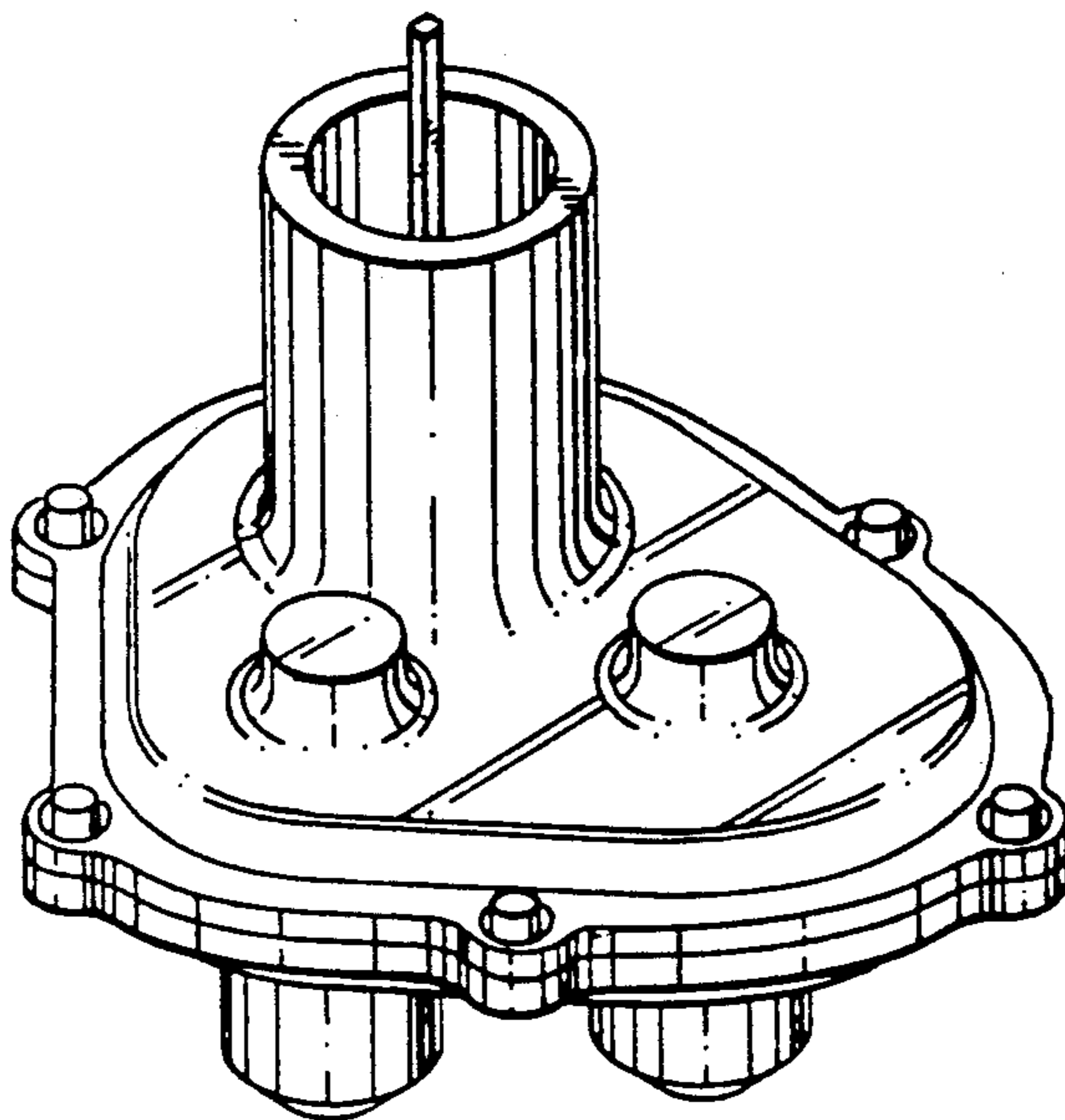


FIG. 1

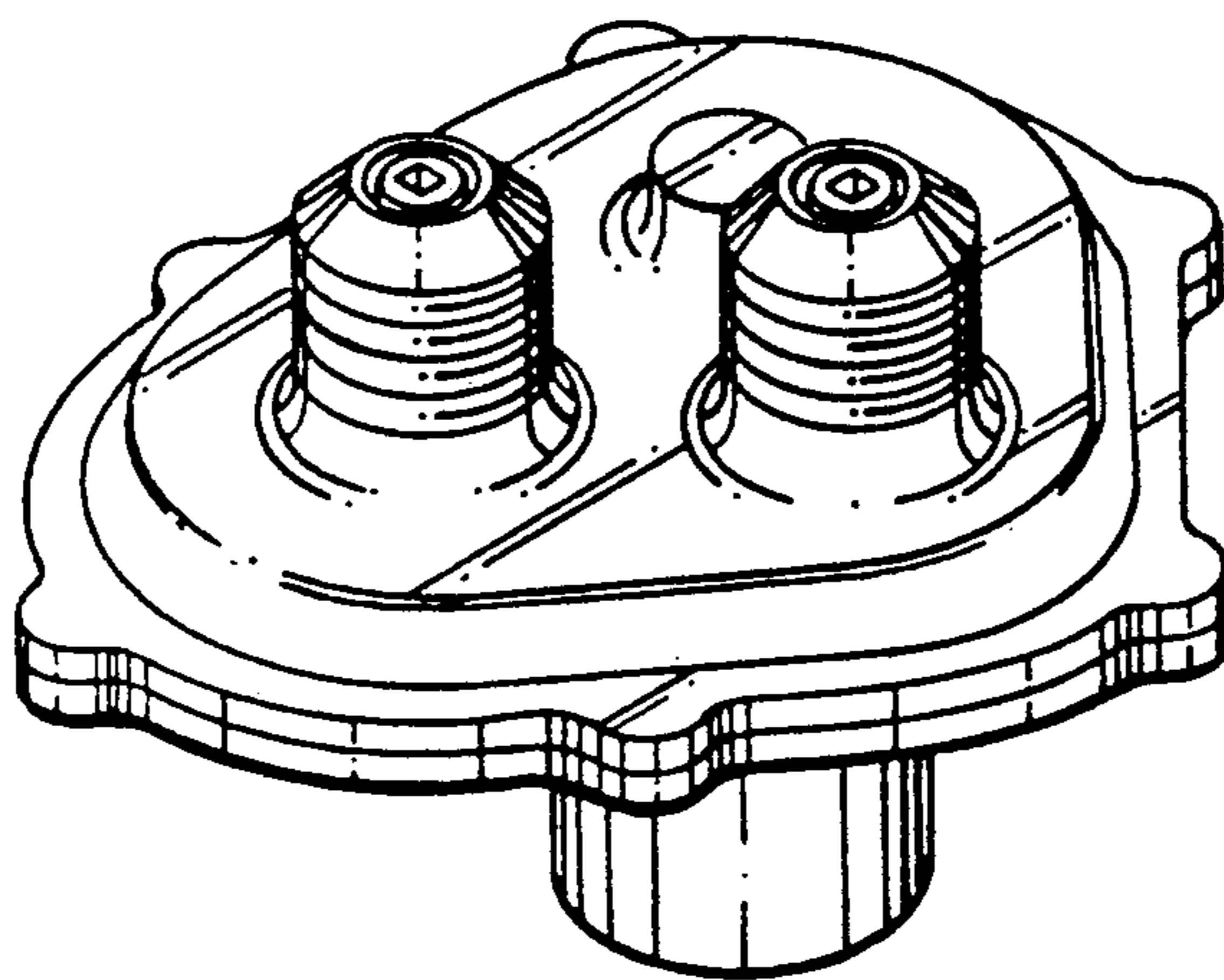


FIG. 2

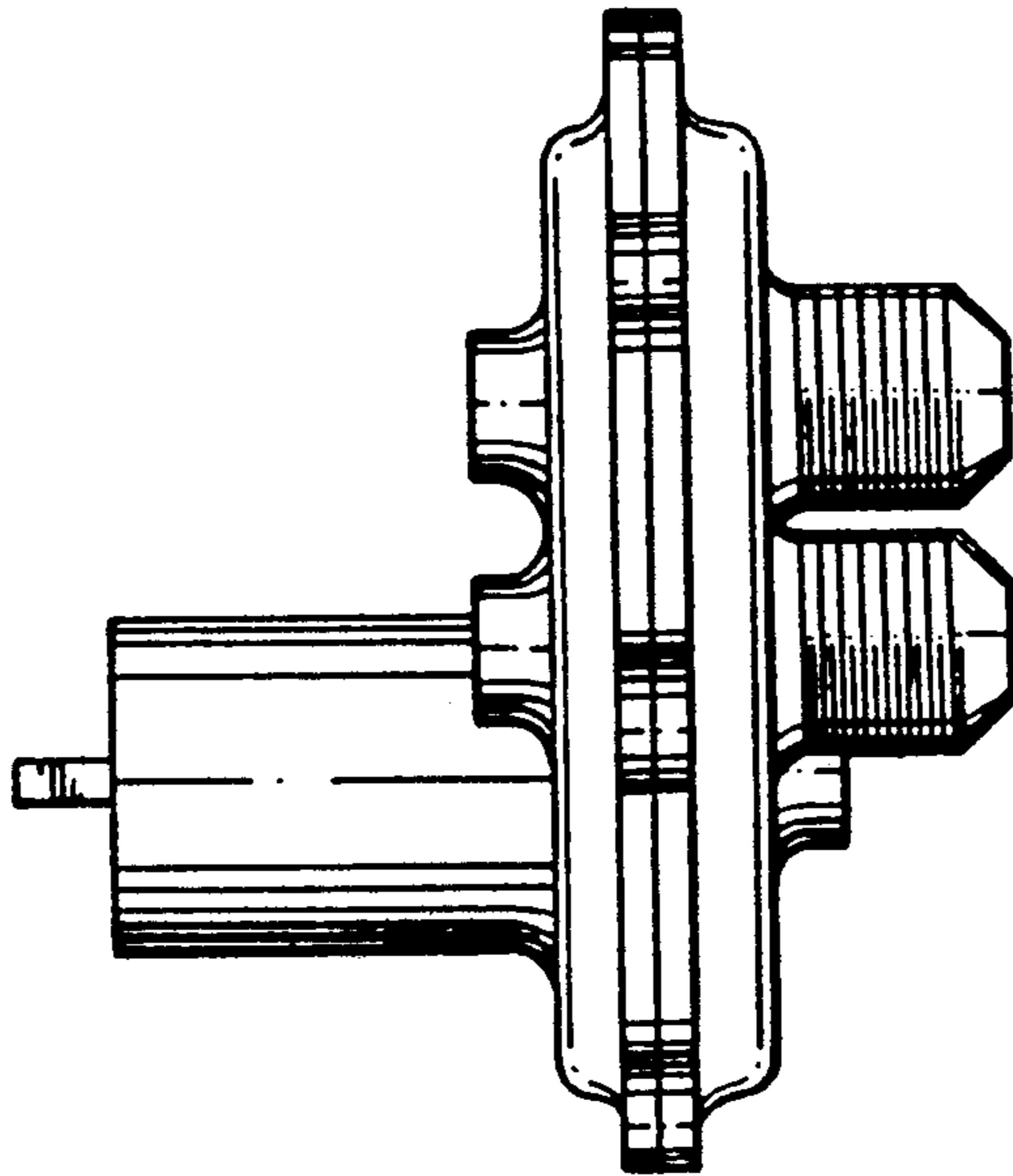


FIG. 3

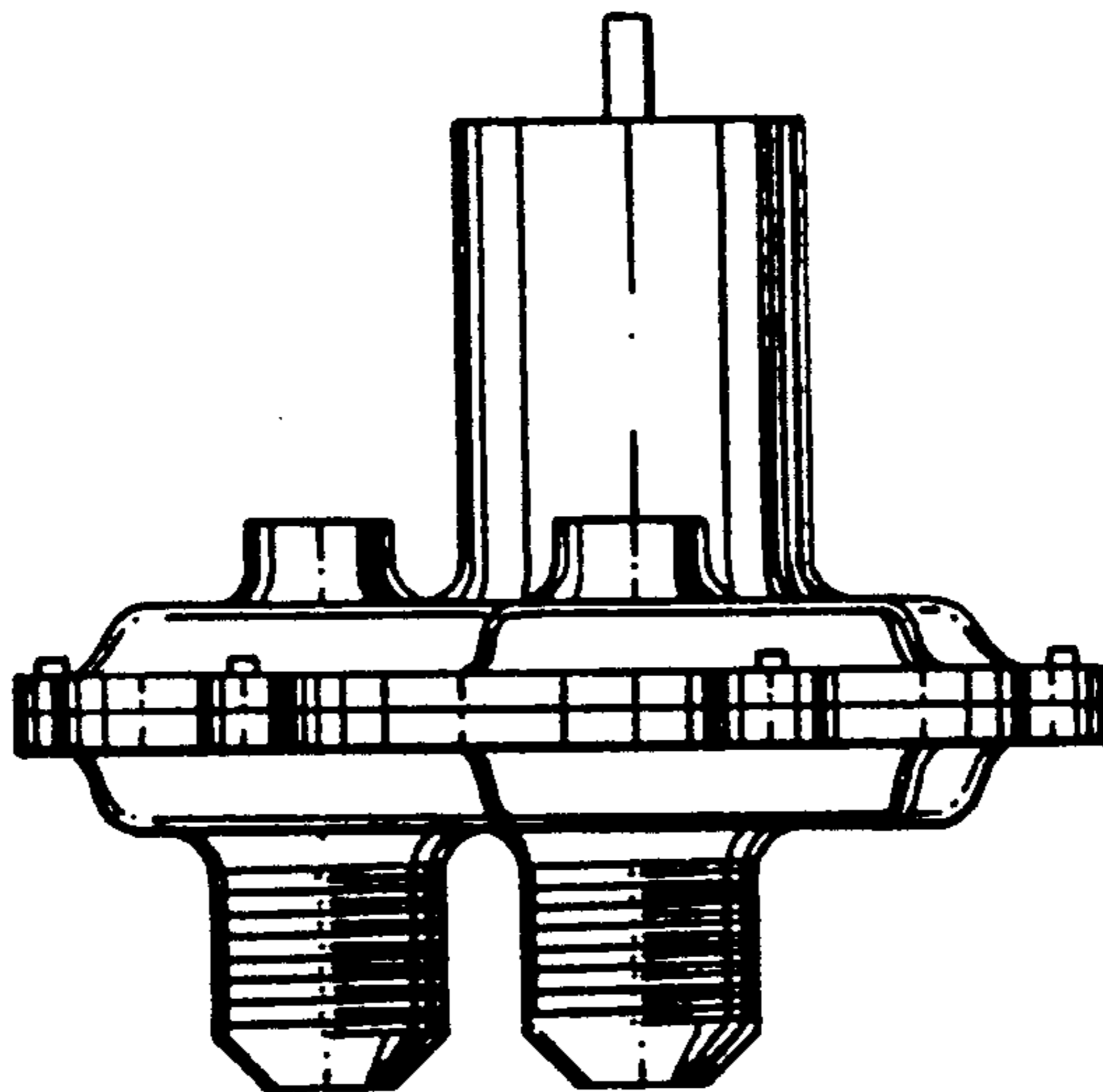


FIG. 4