



US00D324391S

United States Patent [19]
Gaab

[11] **Patent Number: Des. 324,391**
[45] **Date of Patent: ** Mar. 3, 1992**

[54] **CRUCIBLE HOLDER ATTACHMENT**

[76] **Inventor: Richard L. Gaab, 1707 E. 17th, Spokane, Wash. 99203**

[**] **Term: 14 Years**

[21] **Appl. No.: 398,755**

[22] **Filed: Aug. 25, 1989**

[52] **U.S. Cl. D15/135**

[58] **Field of Search D15/135, 140; 269/49; 422/249, 266, 297, 300**

[56] **References Cited**

U.S. PATENT DOCUMENTS

- D. 30,196 2/1899 Barnett, Jr. D15/135
- D. 109,851 5/1938 Meredith D15/135
- D. 142,792 11/1945 Ripich D15/135

Primary Examiner—Bruce W. Dunkins
Assistant Examiner—Antoine D. Davis
Attorney, Agent, or Firm—Wells, St. John & Roberts

[57] **CLAIM**

The ornamental design for a crucible holder attachment, as shown and described.

DESCRIPTION

FIG. 1 is a top, rear and left side perspective view of a crucible holder attachment showing my new design; FIG. 2 is a top, rear and right side perspective view; FIG. 3 is a top plan view; FIG. 4 is a left side elevational view; FIG. 5 is a bottom plan view; FIG. 6 is a rear elevational view; and FIG. 7 is a front elevational view thereof.

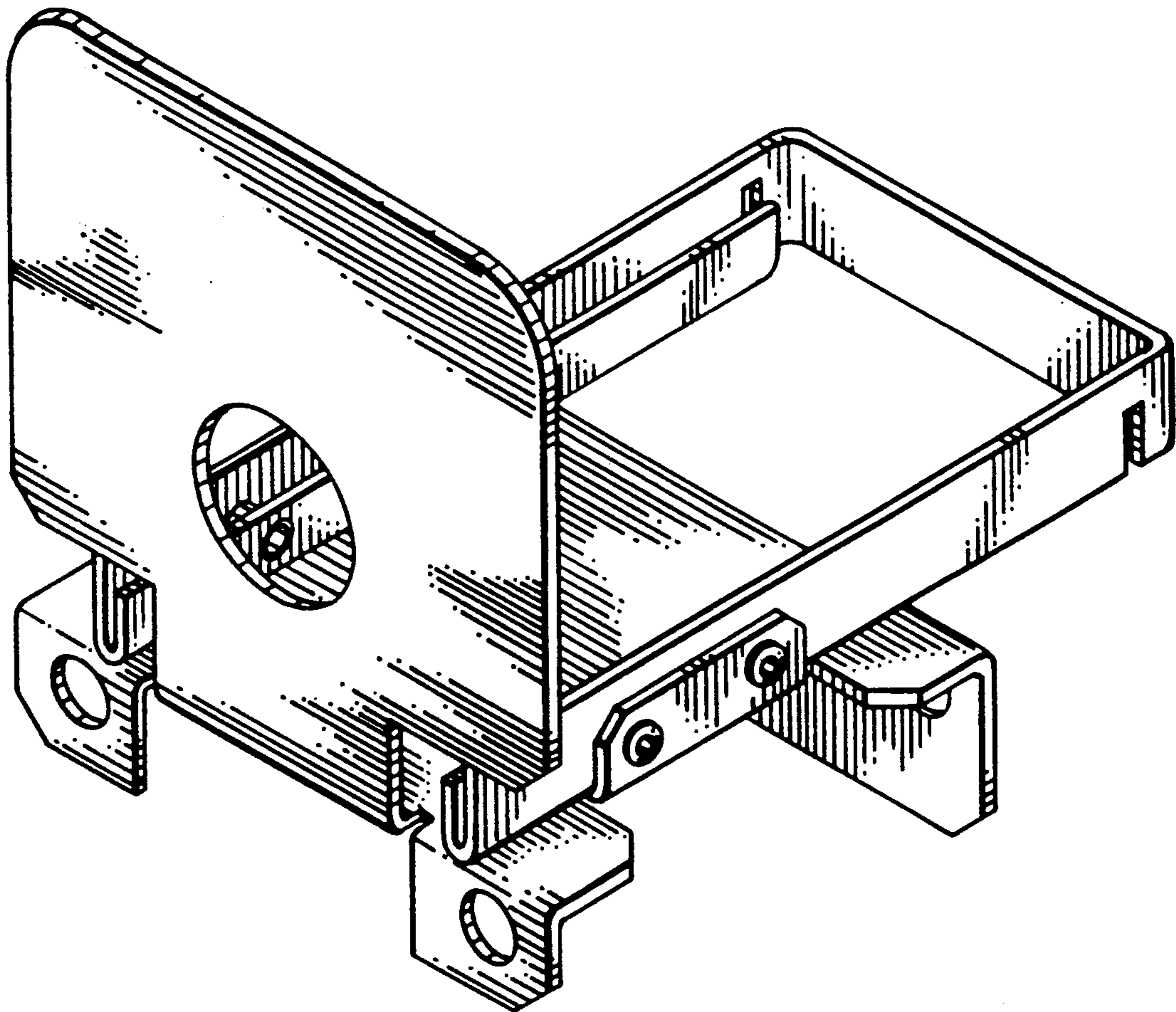


Fig. 2

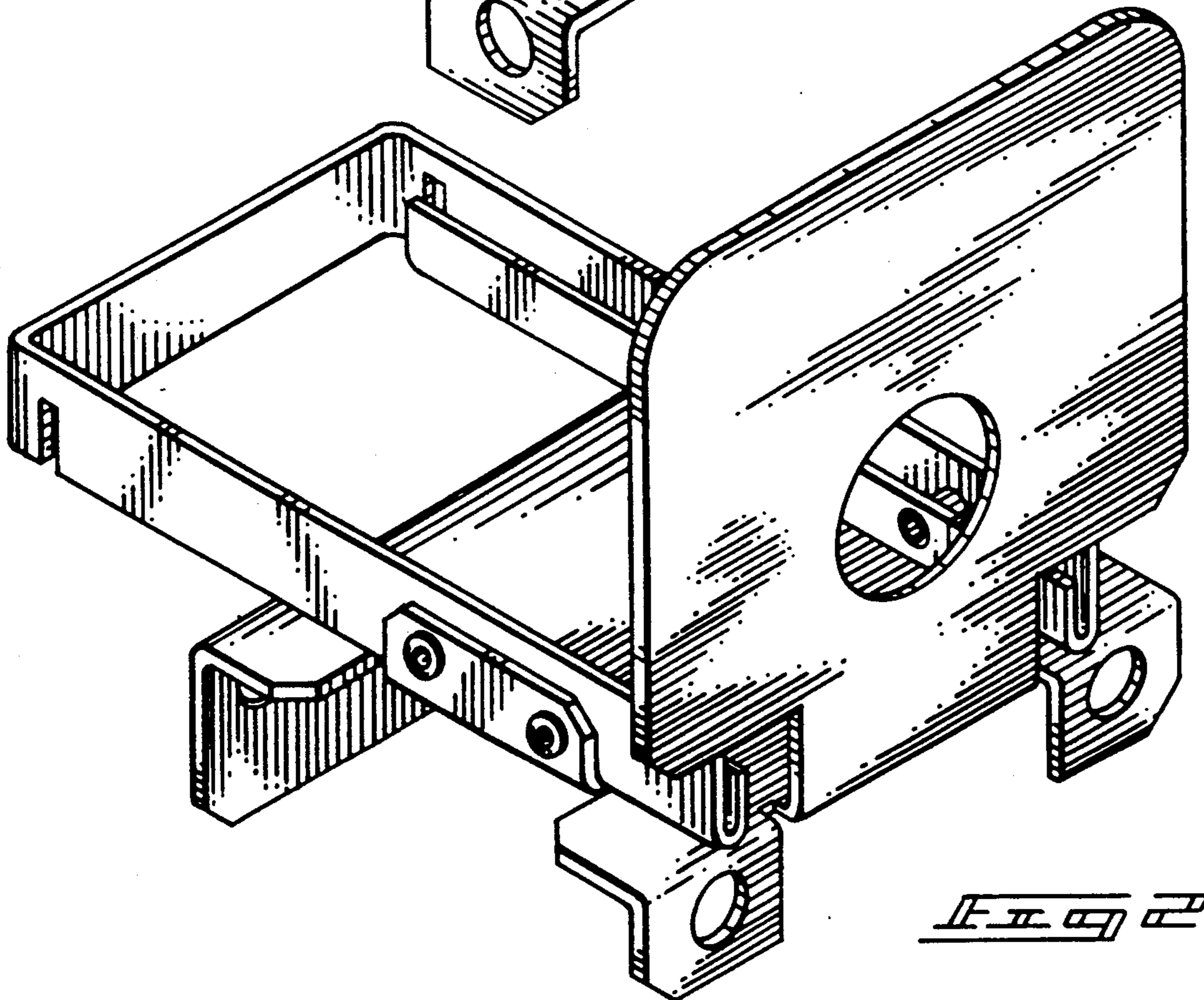
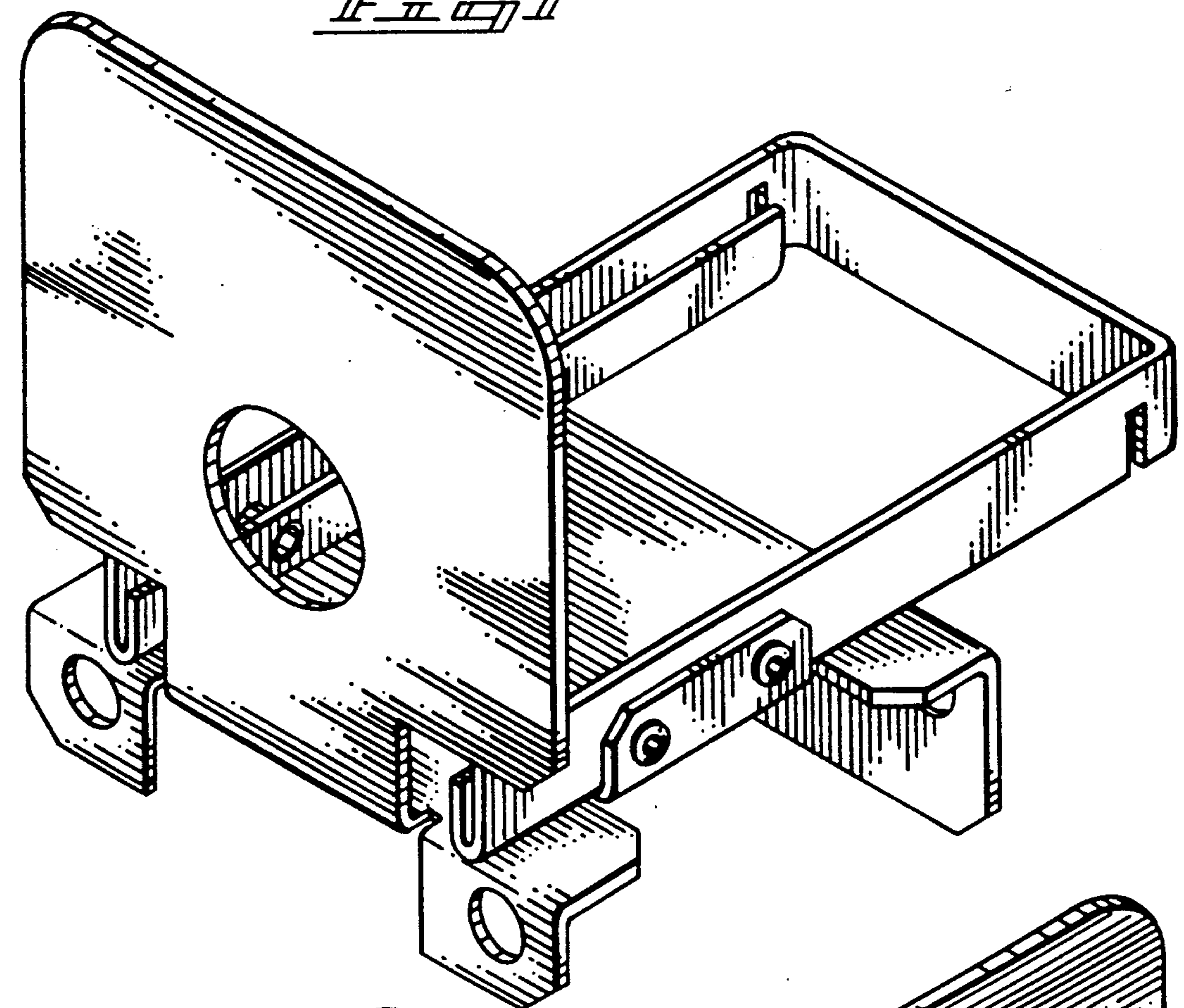


Fig. 2

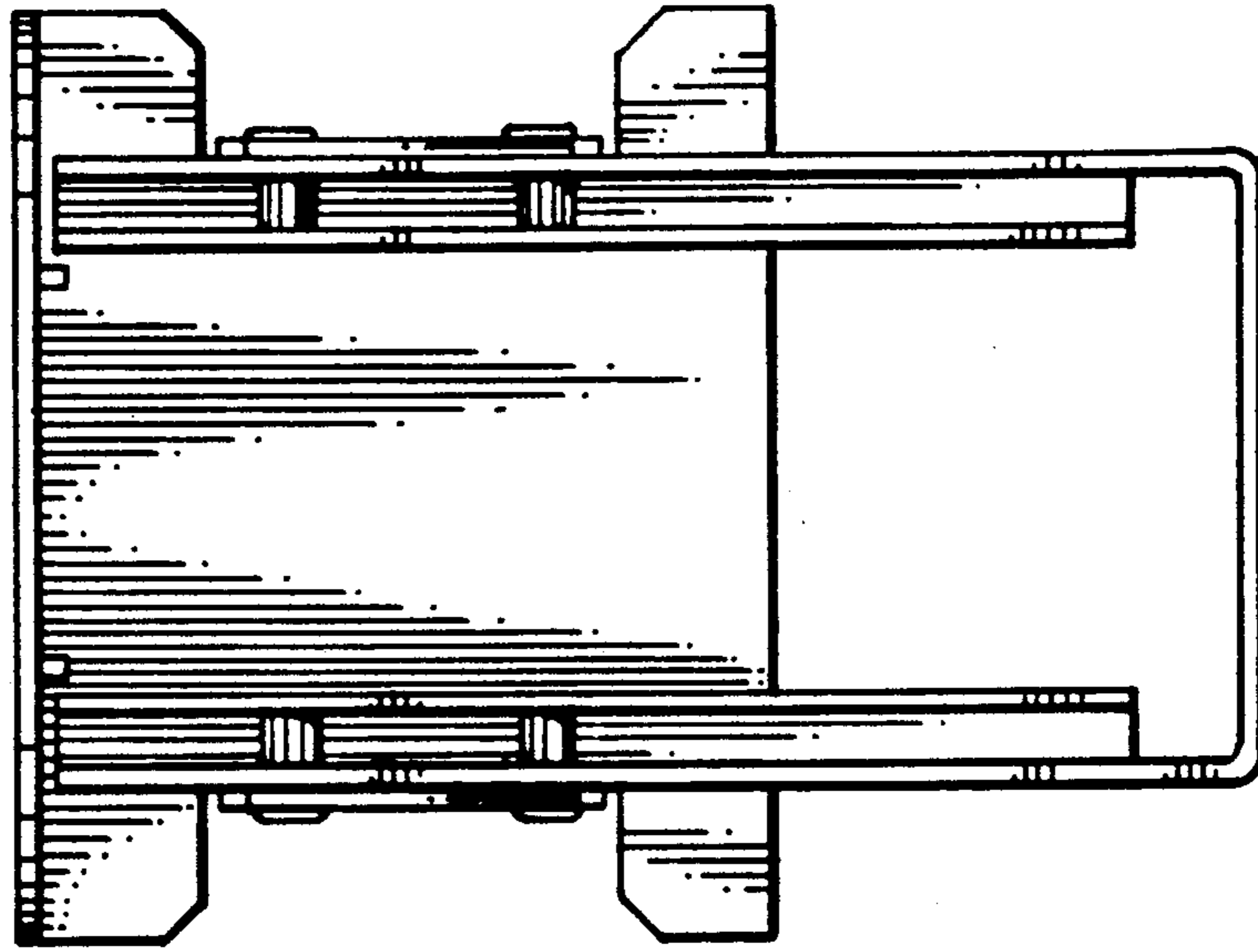


Fig. 3

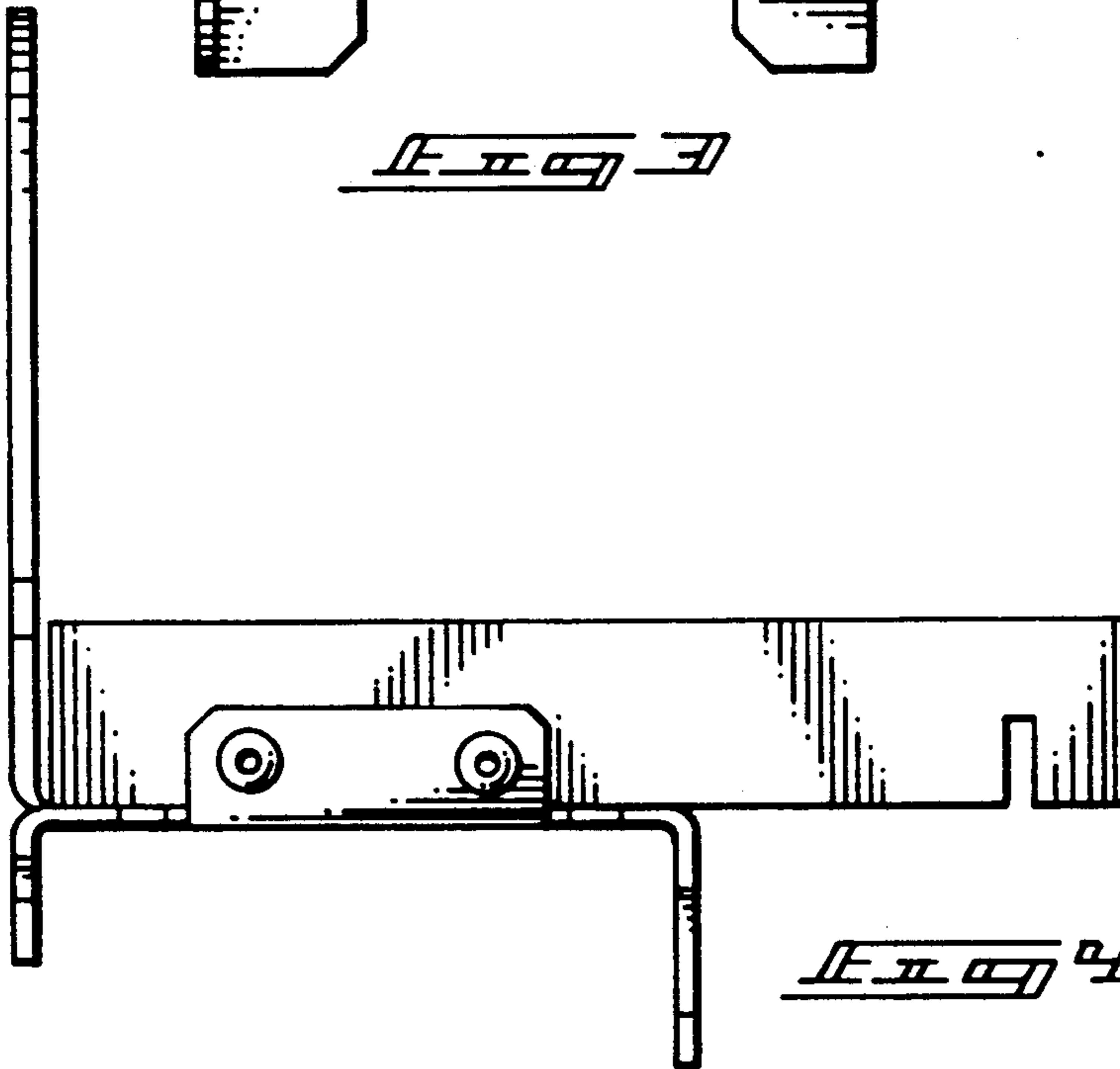


Fig. 4

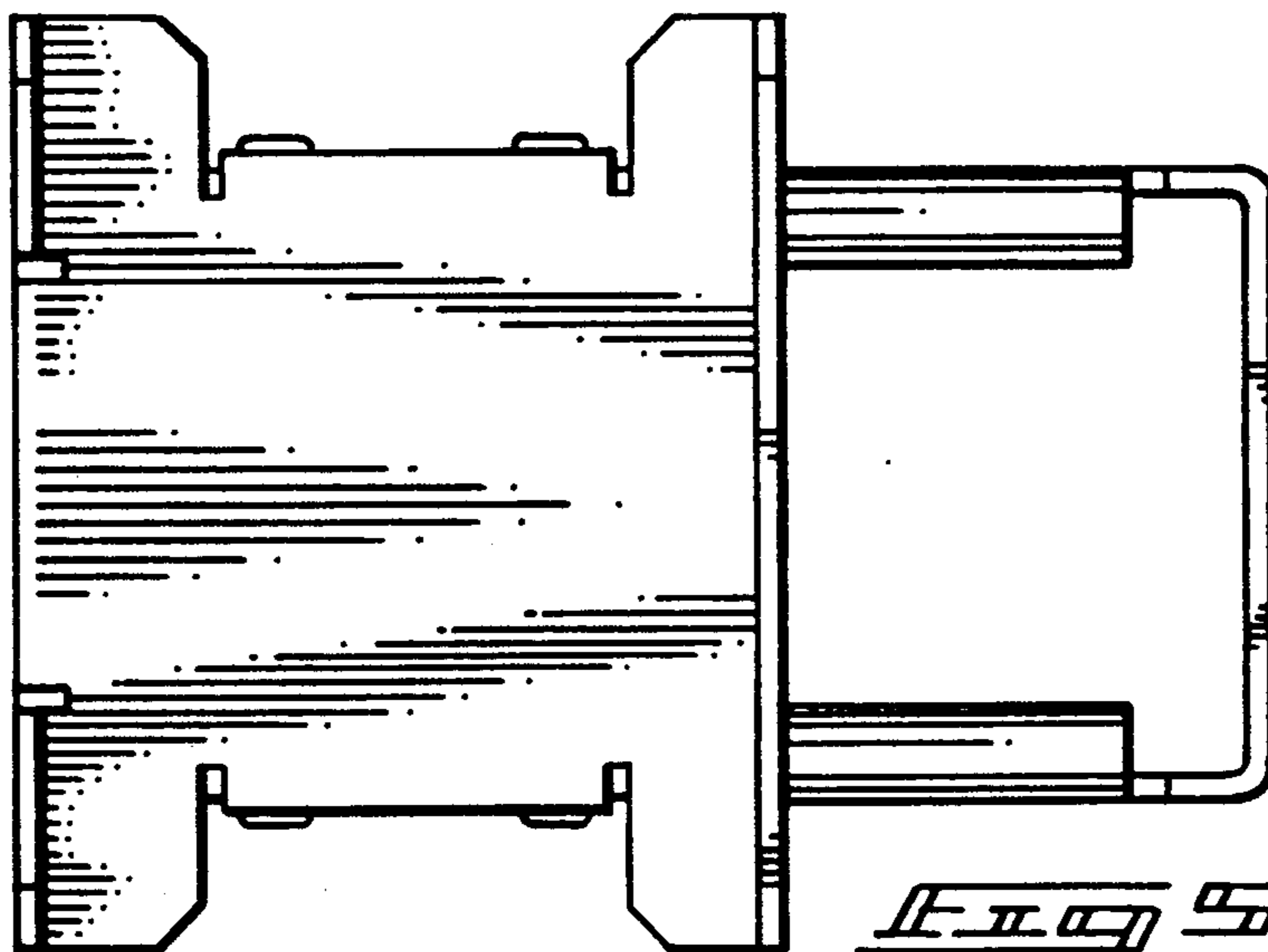


Fig. 5

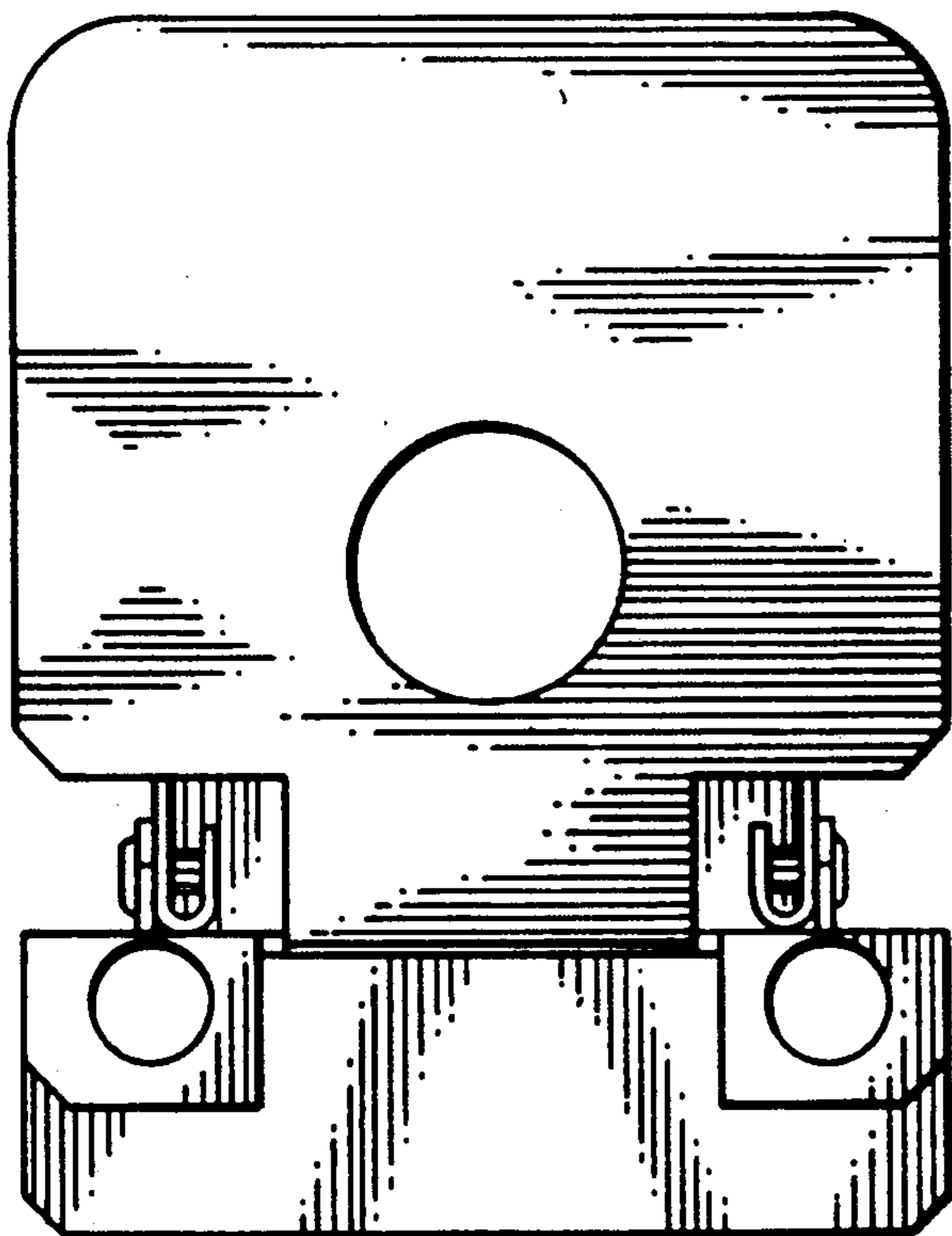


Fig. 1

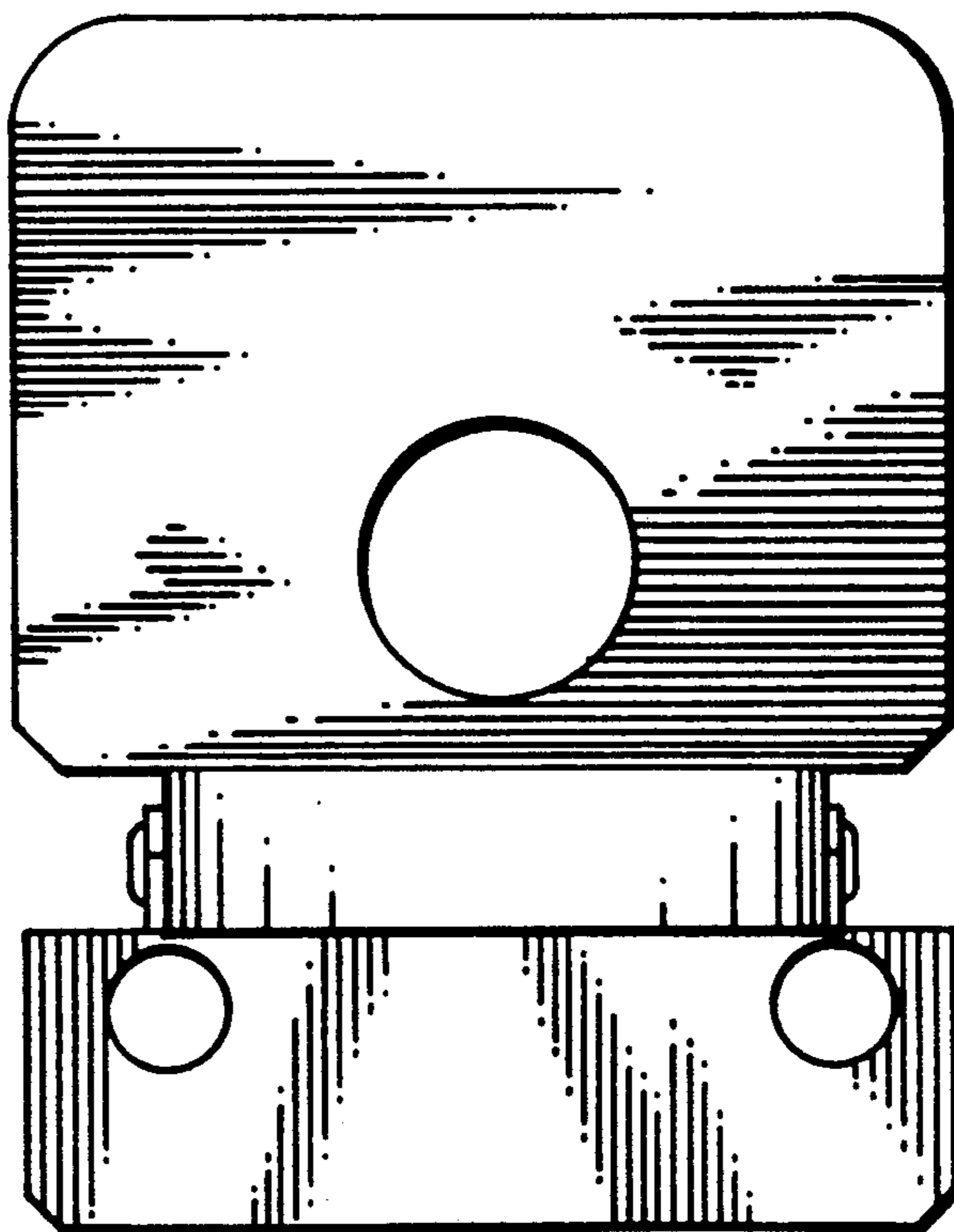


Fig. 2