



US00D324387S

**United States Patent** [19]  
**Johnson**

[11] **Patent Number: Des. 324,387**  
[45] **Date of Patent: \*\* Mar. 3, 1992**

[54] **STEREO SPEAKER**

[76] **Inventor: Thomas Johnson, 392 Winewood St., San Diego, Calif. 92114**

[\*\*] **Term: 14 Years**

[21] **Appl. No.: 475,084**

[22] **Filed: Feb. 5, 1990**

[52] **U.S. Cl. .... D14/207; D21/150; D21/155**

[58] **Field of Search .... D14/204, 207-216, D14/219-224; 181/144, 148, 150, 157, 199; 381/86-88, 90, 158, 203; D21/150, 155, 166**

[56] **References Cited**

**U.S. PATENT DOCUMENTS**

D. 265,399 7/1982 Feldman ..... D14/207

D. 265,400 7/1982 Feldman ..... D14/207  
D. 296,347 6/1988 Kanoh ..... D21/150  
4,630,762 12/1986 Stringer ..... D21/150 X

*Primary Examiner*—Theodore M. Shooman  
*Attorney, Agent, or Firm*—Baker, Maxham, Jester & Meador

[57] **CLAIM**

The ornamental design for a stereo speaker, as shown and described.

**DESCRIPTION**

FIG. 1 is a front and right side perspective view of a stereo speaker, showing my new design; FIG. 2 is a front elevational view thereof; FIG. 3 is a right side elevational view thereof, the left side being a mirror image; and FIG. 4 is a rear elevational view thereof.

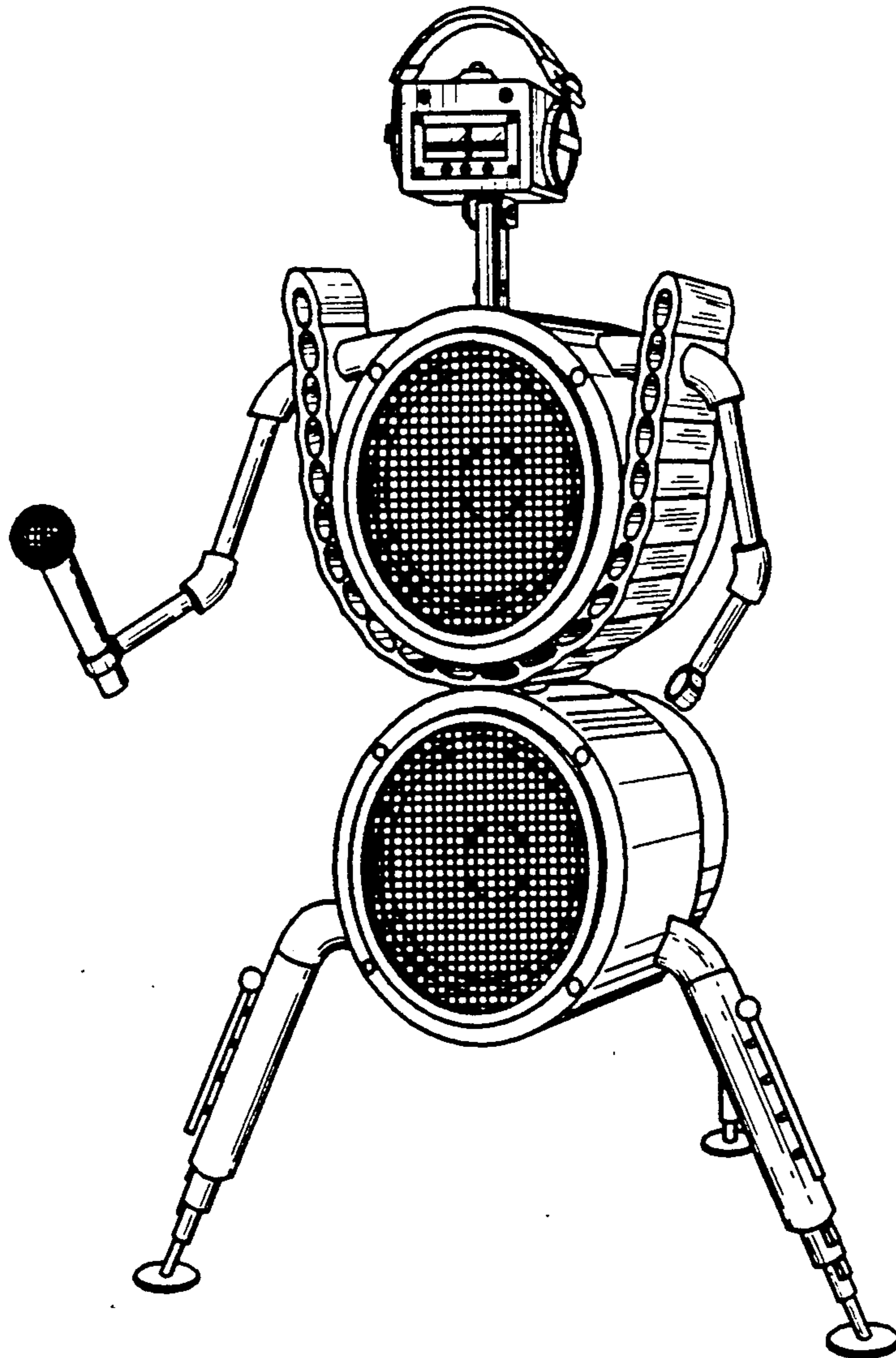


FIG. 2

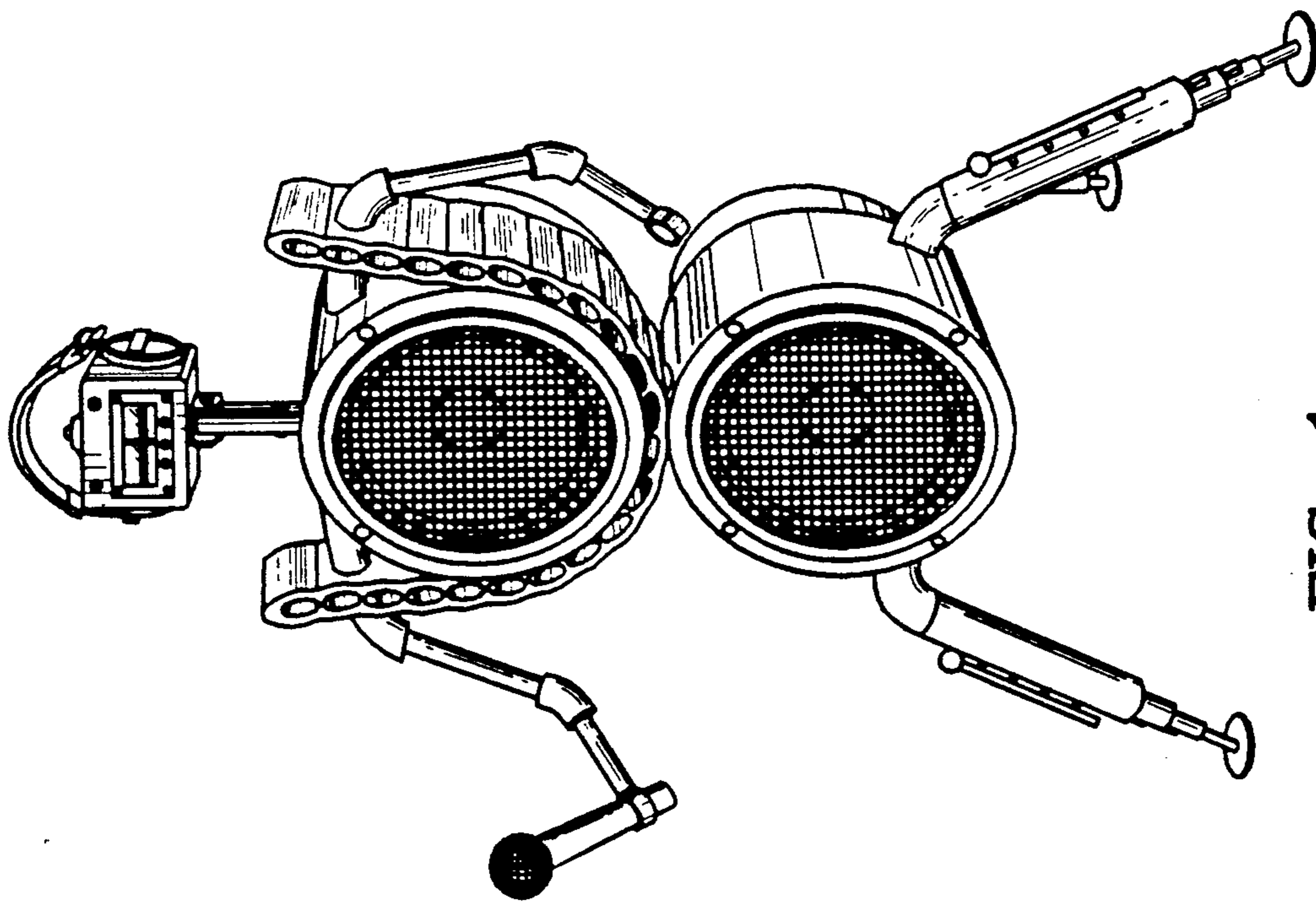
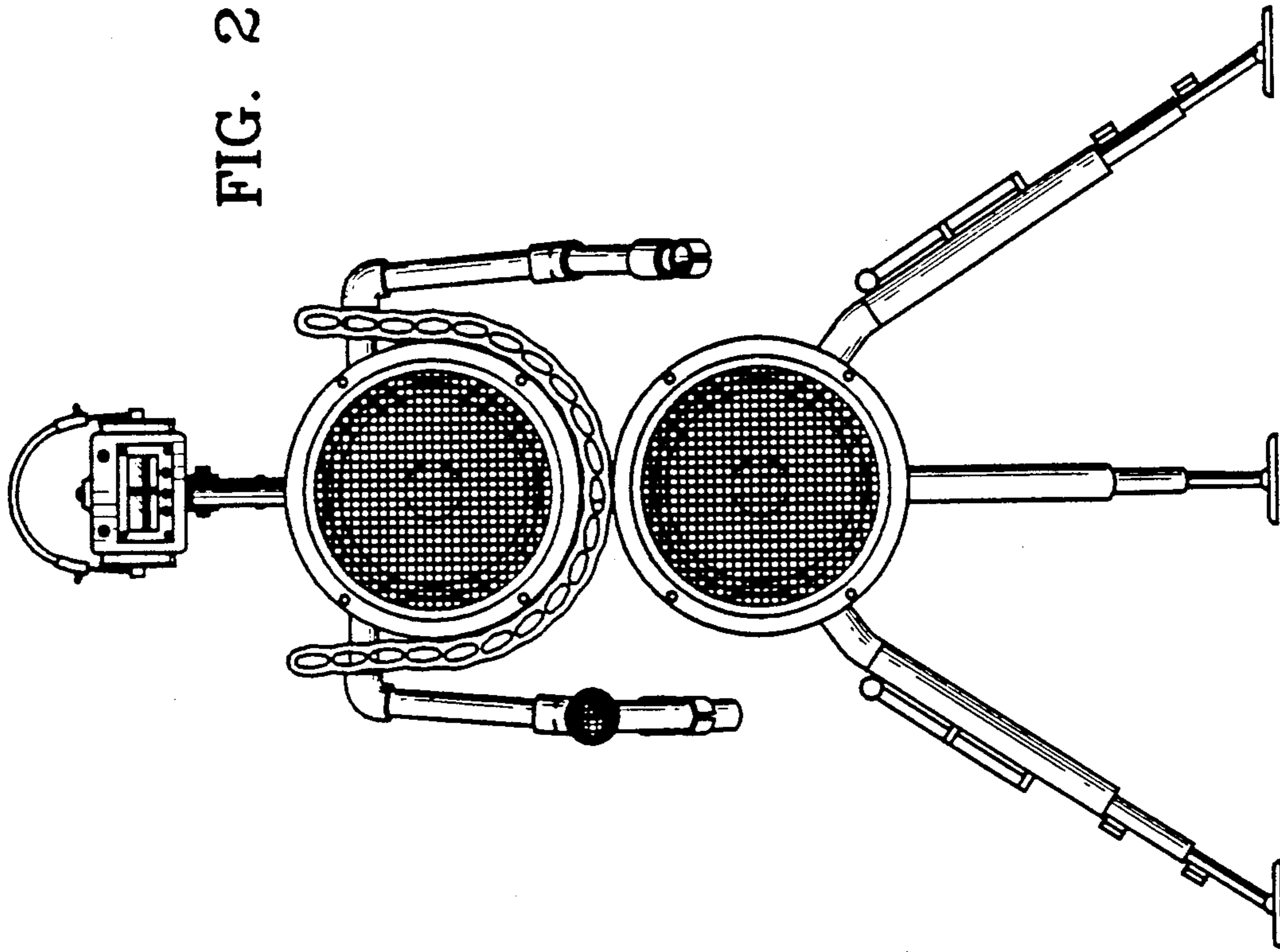


FIG. 1

FIG. 4

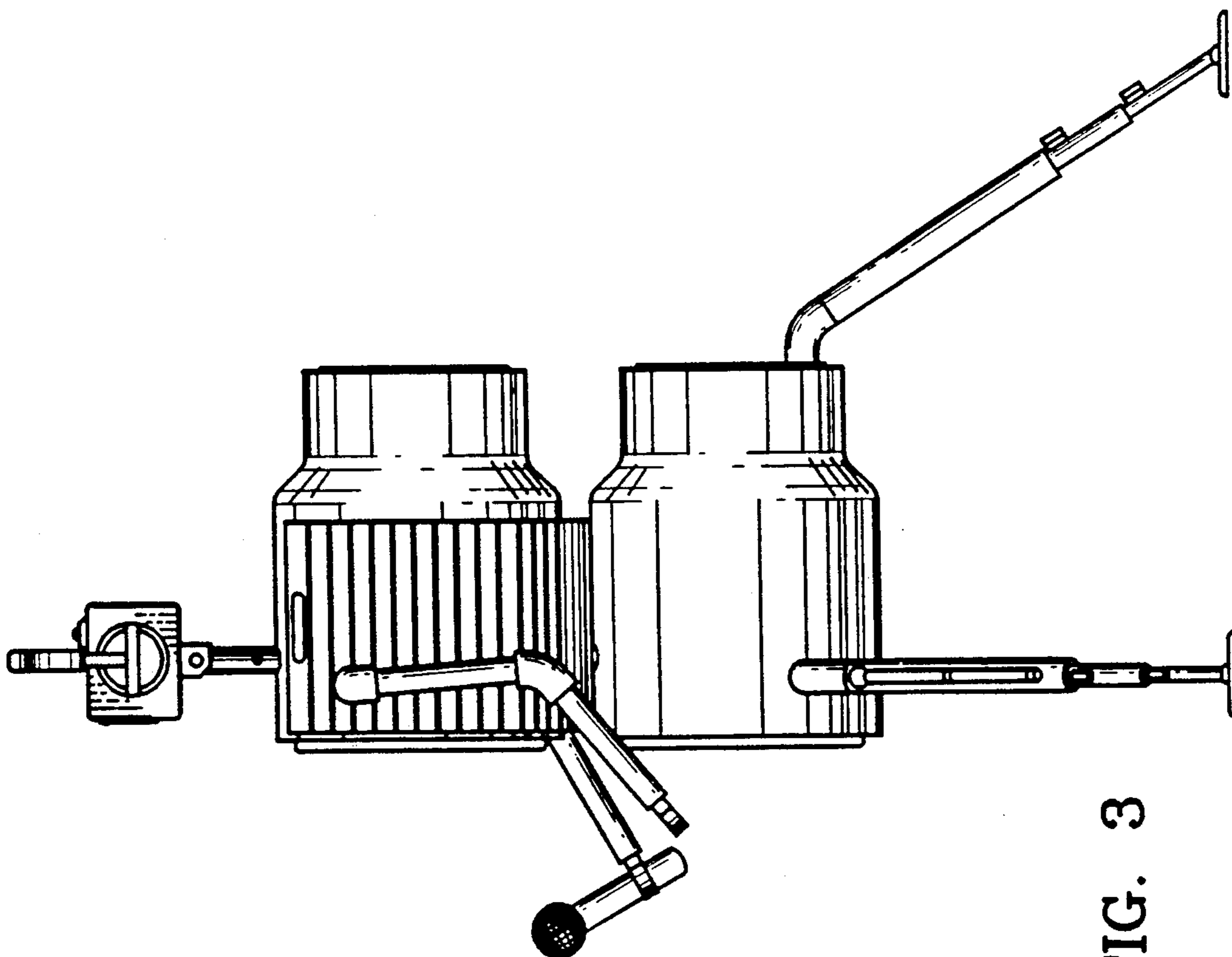
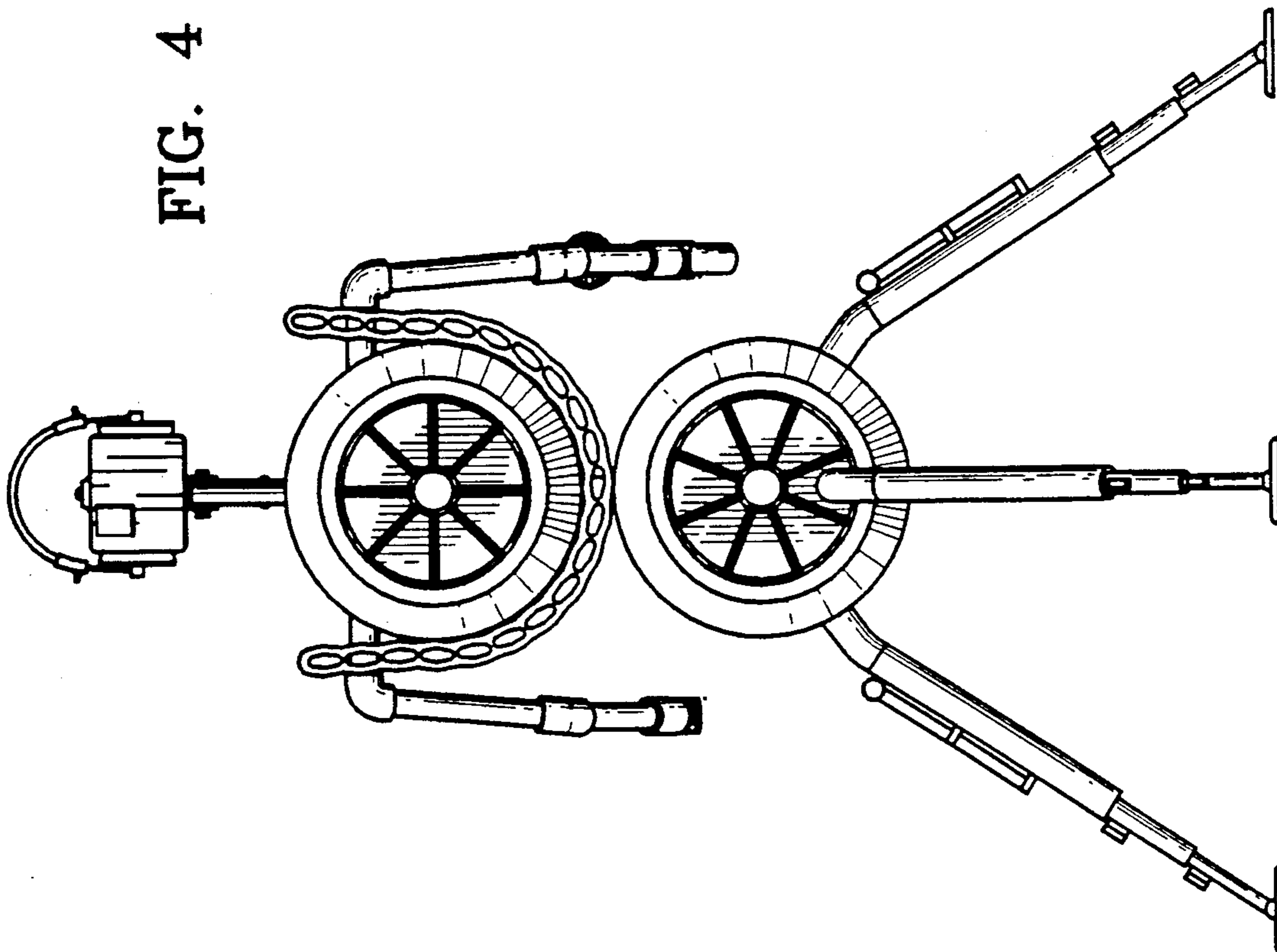


FIG. 3