



US00D324384S

# United States Patent [19]

[11] Patent Number: **Des. 324,384**

**Gobindram**

[45] Date of Patent: **\*\* Mar. 3, 1992**

[54] '57 PICKUP TRUCK TELEPHONE SET

[75] Inventor: **Kash Gobindram, Ronkonkoma, N.Y.**

[73] Assignee: **Kash 'N Gold, Ltd., Ronkonkoma, N.Y.**

[\*\*] Term: **14 Years**

[21] Appl. No.: **710,320**

[22] Filed: **Jun. 5, 1991**

[52] U.S. Cl. .... **D14/143; D14/142; D14/248**

[58] Field of Search ..... **D14/143, 151, 147, 142, D14/248; D21/111; 379/433, 434, 440**

[56] **References Cited**

**U.S. PATENT DOCUMENTS**

D. 260,016	7/1981	Thomas	.....	D14/143
D. 260,017	7/1981	Thomas	.....	D21/111
D. 260,391	8/1981	Thomas	.....	D14/143
D. 260,888	9/1981	Thomas	.....	D14/143

D. 261,647	11/1981	Thomas	.....	D14/143
D. 261,649	11/1981	Thomas	.....	D14/143
D. 261,763	11/1981	Thomas	.....	D21/111 X
D. 299,231	1/1989	Yeung	.....	D14/143
D. 301,714	6/1989	Gobindram	.....	D14/248
D. 302,692	8/1989	Gobindram	.....	D14/143
D. 303,261	9/1989	Gobindram	.....	D14/248 X

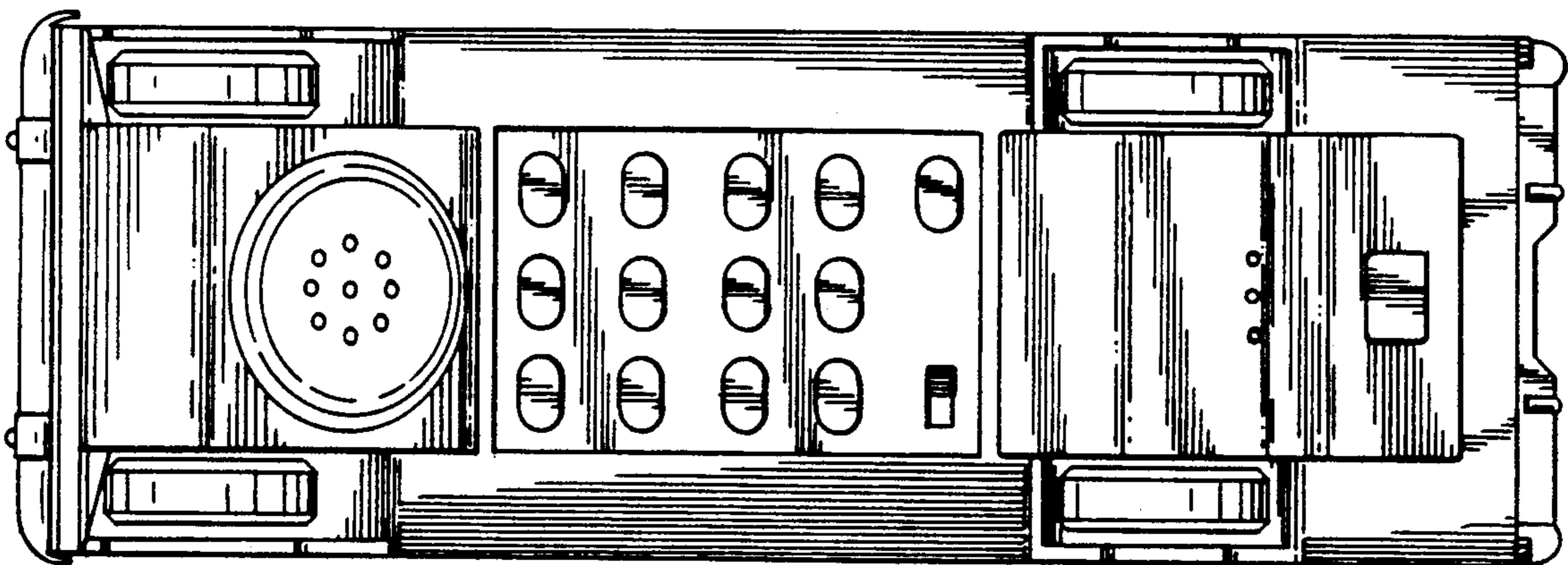
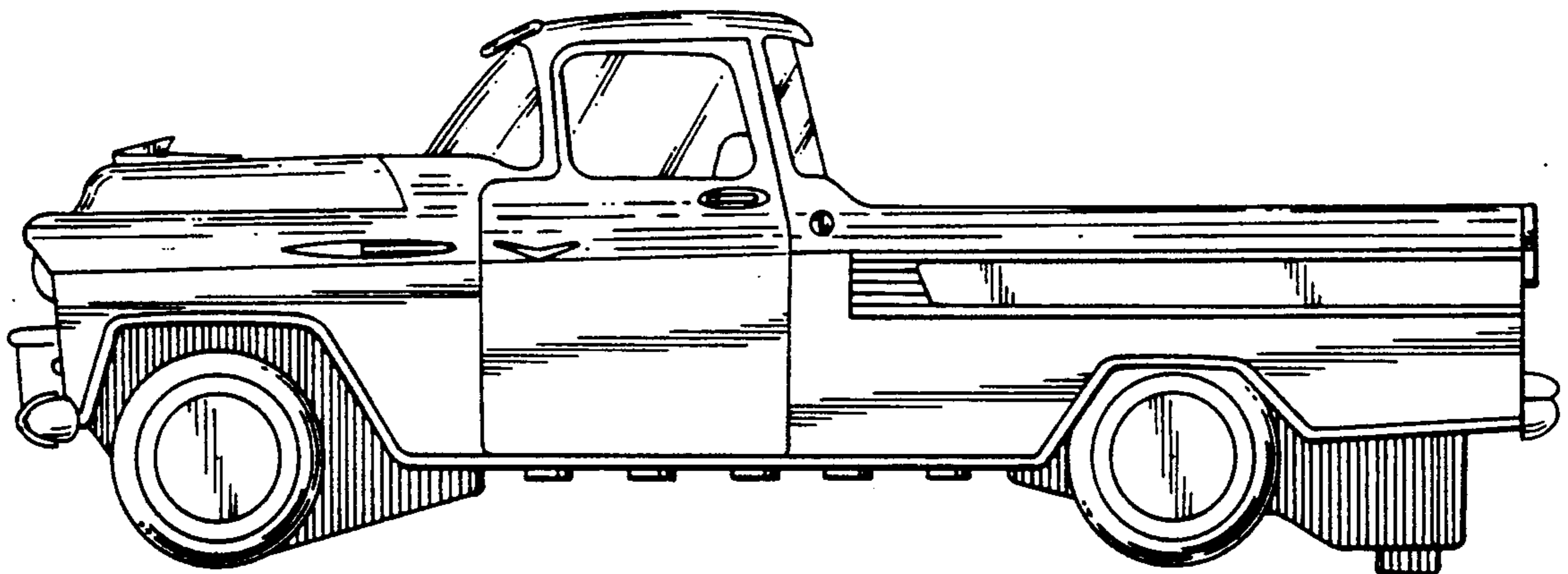
*Primary Examiner*—Horace B. Fay, Jr.  
*Attorney, Agent, or Firm*—Cooper & Dunham

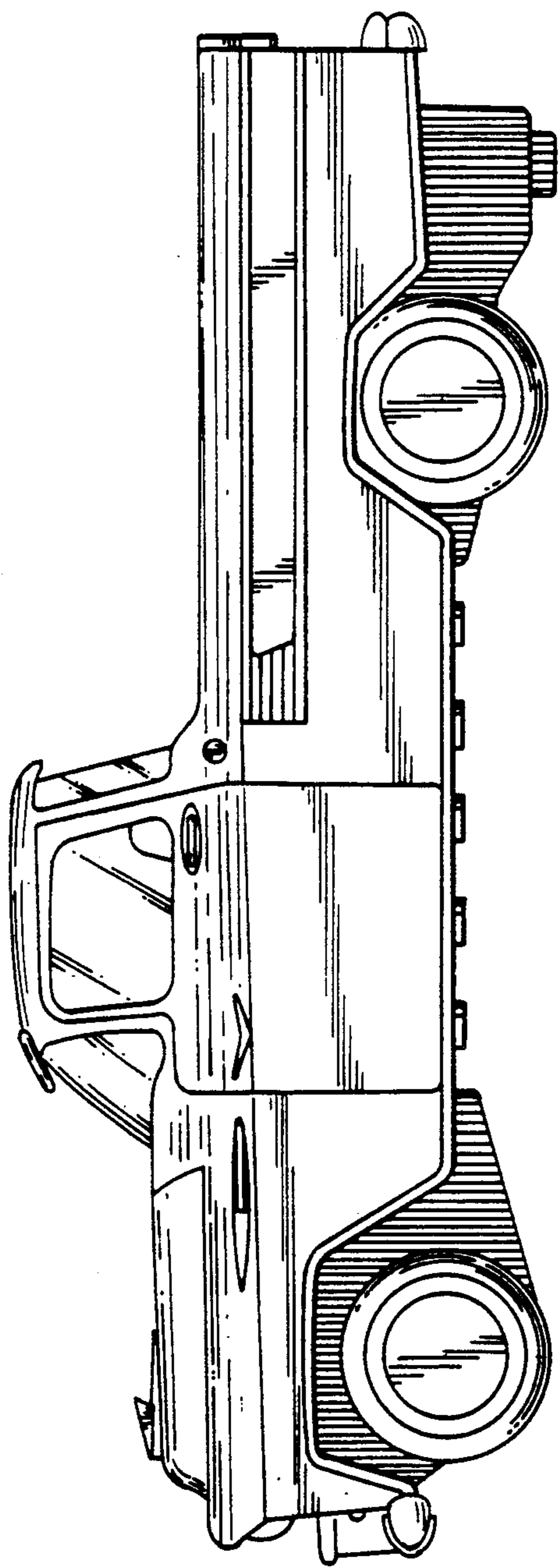
[57] **CLAIM**

The ornamental design for a '57 pickup truck telephone set, as shown and described.

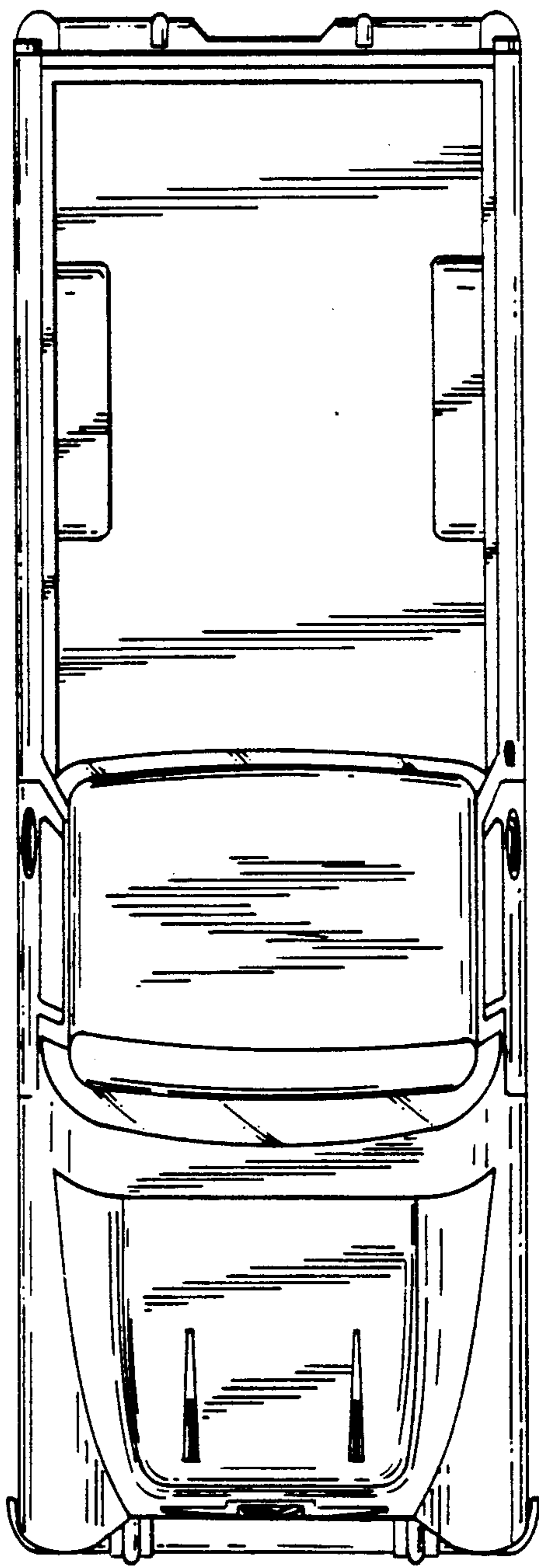
**DESCRIPTION**

FIG. 1 is a right side elevational view of a '57 pickup truck telephone set showing my new design, the side opposite being a mirror image; FIGS. 2 and 3 are respectively top and bottom plan views thereof; and FIGS. 4 and 5 are respectively front and rear elevational views thereof.





*FIG. 1.*



*FIG. 2.*

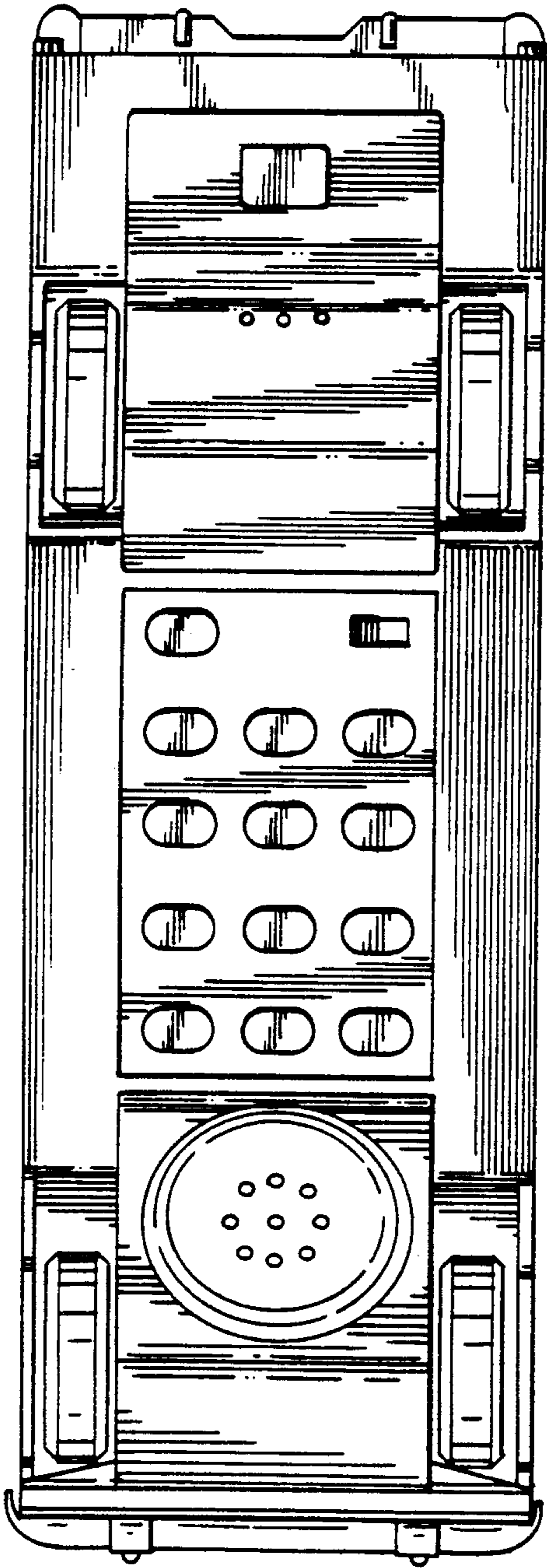


FIG. 3.

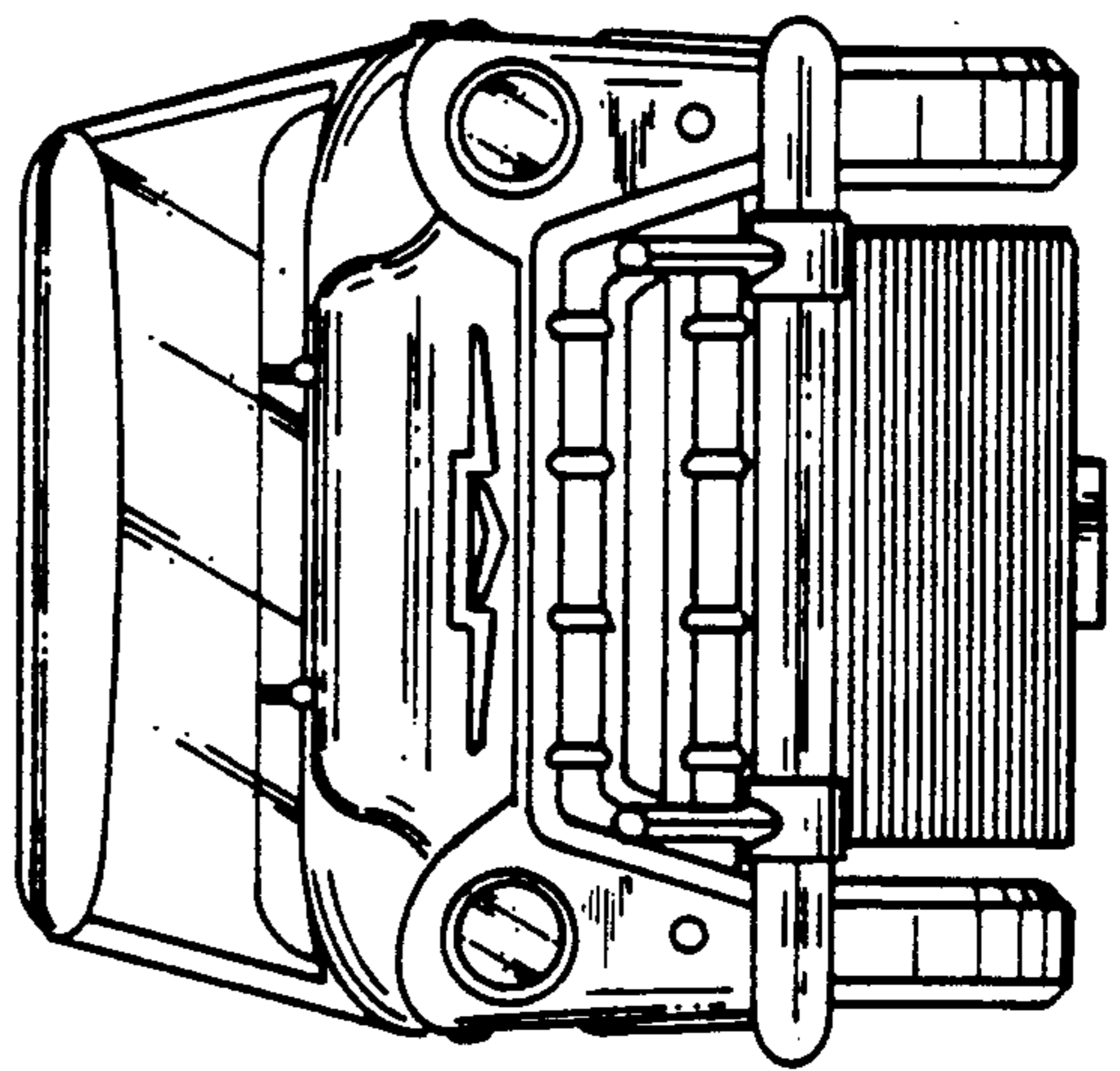


FIG. 4.

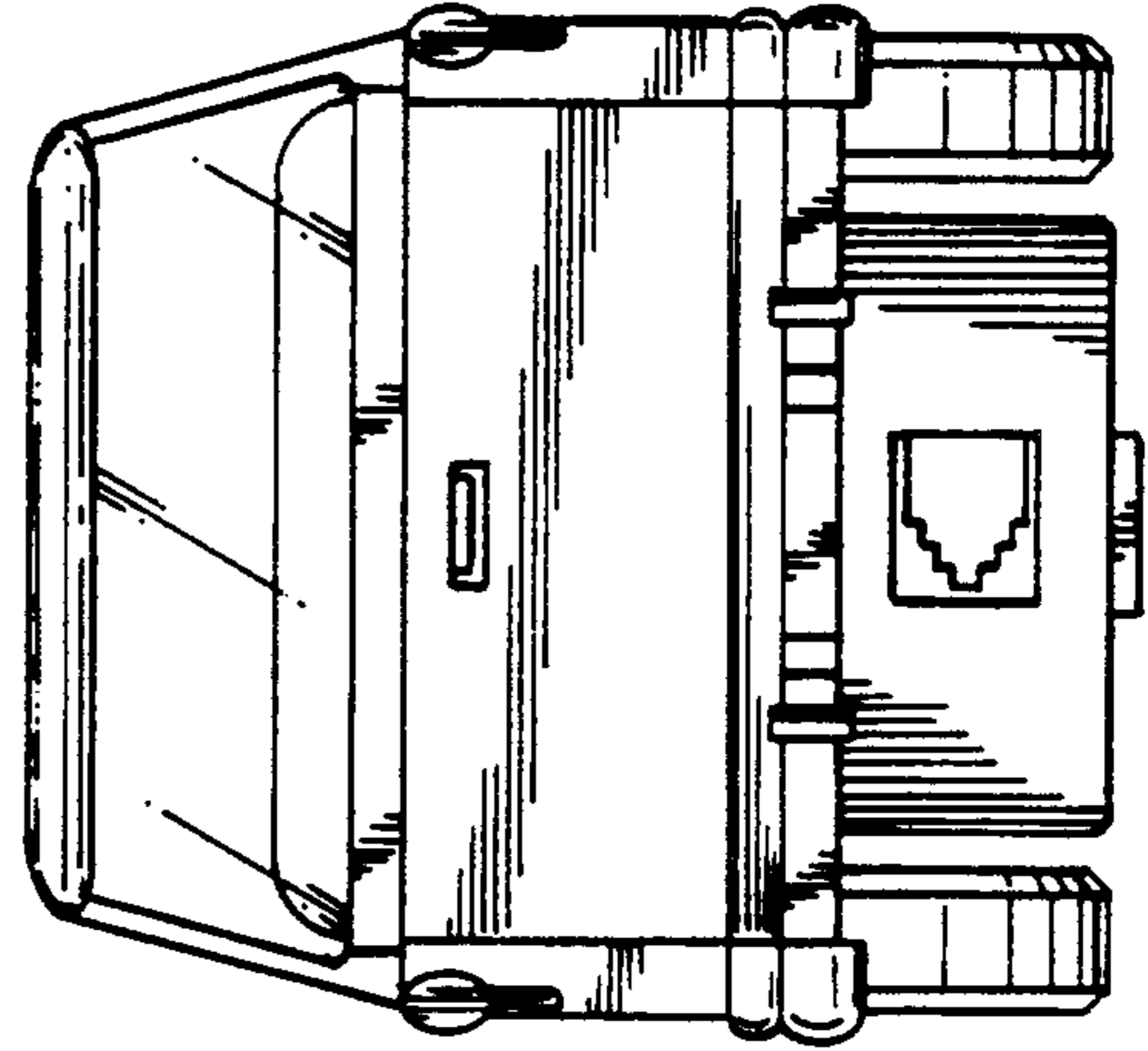


FIG. 5.