



US00D324380S

United States Patent [19]

[11] Patent Number: **Des. 324,380**

Izaki et al.

[45] Date of Patent: **** Mar. 3, 1992**

[54] **ELECTRONIC COMPUTER**

[75] Inventors: **Kenzo Izaki, Chiba; Masaaki Iino, Yokohama, both of Japan**

[73] Assignee: **Kabushiki Kaisha Toshiba, Kanagawa, Japan**

[**] Term: **14 Years**

[21] Appl. No.: **461,465**

[22] Filed: **Jan. 5, 1990**

[30] **Foreign Application Priority Data**

Jul. 6, 1989 [JP] Japan 1-24752

[52] U.S. Cl. **D14/106**

[58] Field of Search **D14/100, 101, 106, 107, D14/113, 115; D18/1, 7, 11, 12; D19/76; 235/145 A, 145 R; 340/700, 706, 711, 712; 341/22, 23; 358/249, 253; 364/706-710; 400/489, 492; 312/208**

[56] **References Cited**

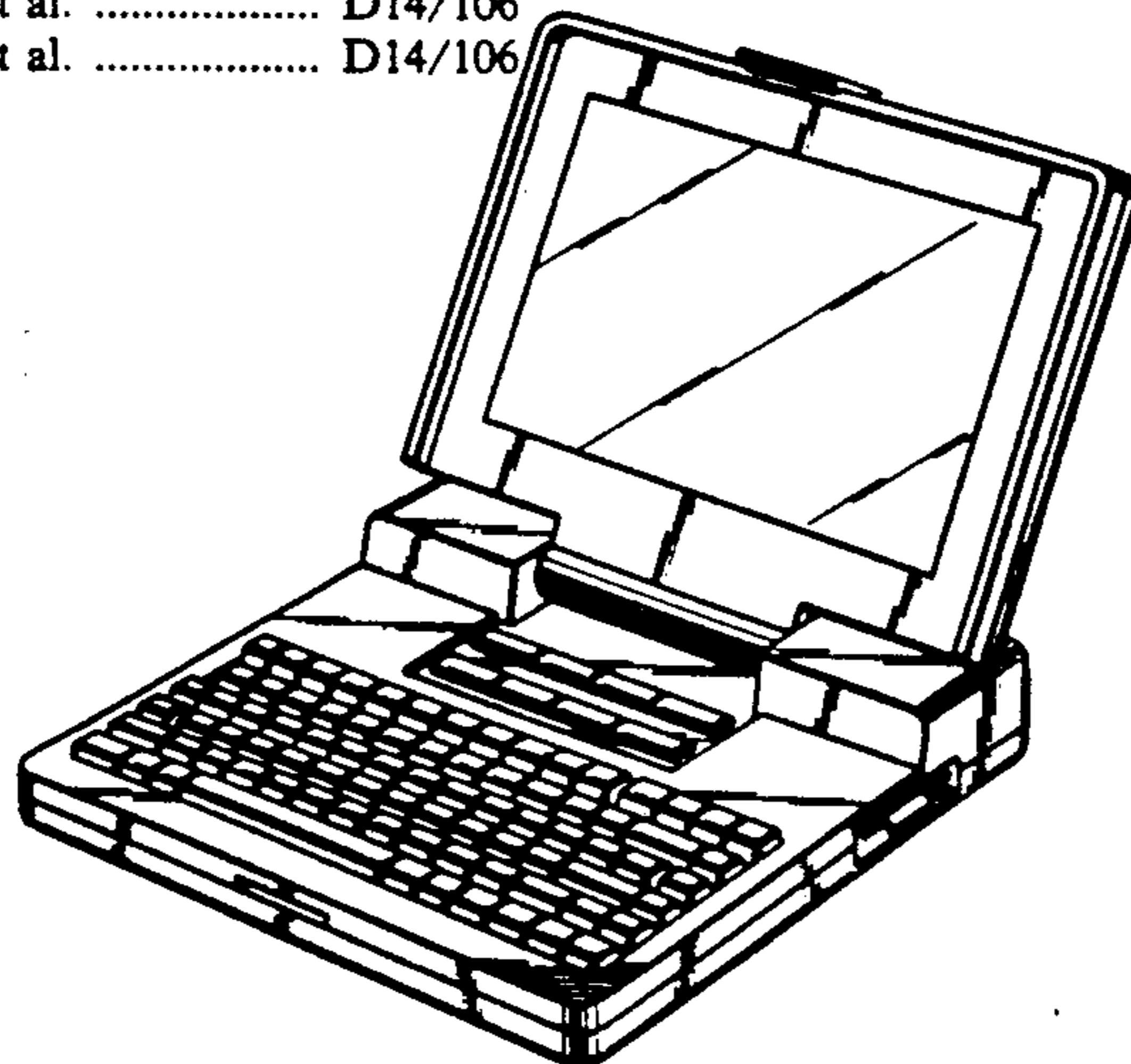
U.S. PATENT DOCUMENTS

- D. 224,784 7/1972 Sucre et al. D14/106
- D. 254,005 1/1980 Zadock et al. D14/106
- D. 275,102 8/1984 MacConnel D14/106
- D. 280,511 9/1985 Moggridge et al. D14/106
- D. 280,662 9/1985 Moggridge et al. D14/100
- D. 282,843 3/1986 Kurihara et al. D14/100
- D. 283,511 4/1986 Dunn D14/106
- D. 284,193 6/1986 Marshall D14/101
- D. 284,474 7/1986 Sawada D14/100
- D. 287,969 1/1987 Kusanagi D14/106
- D. 288,566 3/1987 Chin et al. D14/106
- D. 289,177 4/1987 Sawada D18/7
- D. 289,763 5/1987 Fujii et al. D14/106
- D. 290,256 6/1987 Sapper et al. D14/106
- D. 290,845 7/1987 Yubisui et al. D14/111
- D. 291,442 8/1987 Kurihara D14/106
- D. 293,677 1/1988 Hara et al. D14/106
- D. 293,678 1/1988 Sawatani et al. D14/106
- D. 294,029 2/1988 Nishiyama et al. D14/106
- D. 294,831 3/1988 Hara et al. D14/106
- D. 295,176 4/1988 Nishimoto et al. D14/106
- D. 295,519 3/1988 Kimble D14/106
- D. 299,031 12/1988 Sugano D14/106
- D. 308,860 6/1990 Tsukada et al. D14/106
- D. 308,861 6/1990 Tsukada et al. D14/106

- D. 311,741 10/1990 Sakai D14/106
- D. 311,906 11/1990 Iino D14/106
- D. 312,626 12/1990 Lam D14/106
- D. 316,706 5/1991 Imamura et al. D14/106

FOREIGN PATENT DOCUMENTS

- 100708 6/1988 China .
- 100709 6/1988 China .
- 101093 7/1988 China .
- M8800660 10/1988 Fed. Rep. of Germany .
- 47-14961 5/1972 Japan .
- 499866 4/1979 Japan .
- 639216 11/1984 Japan .
- 650470 5/1985 Japan .
- 664175 10/1985 Japan .
- 85300416 5/1986 Japan .
- 684172 8/1986 Japan .
- 684172 8/1986 Japan .
- 685000 8/1986 Japan .
- 685063 8/1986 Japan .
- 685121 8/1986 Japan .
- 685542 8/1986 Japan .
- 686374 9/1986 Japan .
- 686381 9/1986 Japan .
- 686386 9/1986 Japan .
- 686658 9/1986 Japan .
- 686706 9/1986 Japan .
- 685000 12/1986 Japan .
- 695931 12/1986 Japan .
- 696188 1/1987 Japan .
- 697328 1/1987 Japan .
- 763838 6/1988 Japan .
- 685121 10/1988 Japan .
- 747990 11/1988 Japan .
- 748513 11/1988 Japan .
- 749802 11/1988 Japan .
- 746985(2) 4/1989 Japan .
- 746985(1) 4/1989 Japan .
- 763840 6/1989 Japan .
- 763855 6/1989 Japan .
- 67297 2/1987 Rep. of Korea .
- 85032 10/1988 Rep. of Korea .
- 92859 7/1989 Rep. of Korea .
- 92863 7/1989 Rep. of Korea .
- 852546 1/1987 Sweden .
- 852547 1/1987 Sweden .
- 105573 11/1988 Taiwan .
- 107394 1/1989 Taiwan .



OTHER PUBLICATIONS

- Chaplet HALIKAN LA-22, 4/21/89.
 Sharp AX286L, 9/29/88.
 NEC PC-9801 LX5C, 8/23/88.
 Sharp Advertisement, 05/19/76.
 Fanuc System P-Model, 07/27/83.
 Moebel Interior Design, 01/05/84.
 The Office 98-6, 01/31/84.
 Demus 645, 02/22/84.
 MRD Advertisement, 03/29/84.
 Gavilan Mobile Computer Brochure, 04/19/84.
 Picture #J9016870, 05/08/84.
 Hewlett Packard Advertisement, 05/18/84.
 Hewlett Packard Advertisement, 06/05/84.
 Epson HC-88, 07/01/84.
 Hitachi Advertisement, 09/04/84.
 Hewlett Packard Advertisement, 09/12/84.
 Sharp PC-5000 Brochure, 09/26/84.
 Data General One Advertisement, 09/28/84.
 Apple Computer Apple IIC, 10/15/84.
 TI Software Journal, Pro-Lite TM, 11/14/84.
 IS-11c Advertisement, 11/14/84.
 Dulmont Magnum Article in Portable Computer, 11/00/84.
 IBM Advertisement, 12/06/84.
 Tandy 200, 00/00/85.
 General Corp. 4400, 01/14/85.
 AVAL TM Advertisement, 02/11/85.
 Picture #J60007802, 02/26/85.
 AVAL TM20, 03/08/85.
 Tandy 200, 03/16/85.
 NEC Starlet PC-8401A Brochure, 03/28/85.
 C & D News, 03/29/85.
 Hewlett-Packard HP110, 04/00/85.
 Fujitsu FM 16, 04/17/85.
 Fujitsu FM16 TL Brochure, 05/22/85.
 Data General One Brochure, 05/23/85.
 Toshiba T 1100 Plus, 07/22/85.
 Minato Electronics MODS-5000, 08/22/85.
 GridCase Brochure, 08/24/85.
 FBS Advertisement, 10/30/85.
 NEC N6919 Model 80/80H, 11/11/85.
 IBM Advertisement, 11/28/85.
 Apple Computer IIC, 12/00/85.
 Hewlett-Packard Portable Plus, 12/00/85.
 FLM-700, 01/31/86.
 Fujitsu FM 16, 05/21/86.
 PC-816F Advertisement, 05/27/86.
 Zenith Data Systems NEWSDATE Newsletter, 06-07/86.
 Tandy 600 Advertisement, 07/25/86.
 Ricoh JP70D Brochure, 09/29/86.
 Data General One Brochure, 10/03/86.
 Article re IBM Portable Personal Computer, 10/15/86.
 NEC PC-98LT Advertisement, 10/23/86.
 Yaskawa P-t50 Advertisement, 11/12/86.
 Yaskawa Memocon TM-SC GL20 Advertisement, 03/27/87.
 TI Advertisement in Telephony, 04/01/87.
 Data General One Model 2J Brochure, 05/20/87.
 Hitachi B16LX Brochure, 08/31/87.
 Ricoh Brochure, 09/17/87.
 Sony Produce 100 Brochure, 09/18/87.
 Panasonic FW-U1EX Advertisement, 10/02/87.
 Nihon IBM 55 Model 5535, 10/19/87.
 NEC Minitel 5 Advertisement, 10/29/87.
 Rein Laptop 300 SLC Advertisement, 10/29/87.
 IBM 5540/5535 Brochure, 11/04/87.
 NEC PC-9800 Advertisement, 11/27/87.
 Panasonic U1EX Advertisement, 12/08/87.
 Schneider Multivision 300 SLC Catalog, 00/00/88.
 Panasonic U1Pro, 01/04/88.
 Diagnostic Products Review, 01-02/88.
 Toshiba E & E News, 02/26/88.
 Seiko-Epson PC-286L, 03/02/88.
 Toshiba JW90FII Rupo Brochure, 03/03/88.
 Hitachi B16LX Brochure, 04/05/88.
 Sony Produce PJ-100EX Brochure, 04/05/88.
 WS Japanese Advertisement, 04/27/88.
 NEC Multispeed, Spring '88.
 Samsung S5200, 05/10/88.
 Datavue Snap 1+1, 05/10/88.
 Portable Computer Review, p. 32, 05/10/88.
 GridCase 1530 Advertisement, 05/10/88.
 NEC Multispeed EL Model 2 Brochure, 05/10/88.
 Japanese Advertisement, 05/12/88.
 Sanyo ES 100, 05/13/88.
 NEC PC-9801 LV 21 Brochure, 05/13/88.
 Sharp WV-500, 05/19/88.
 Panafacom C-250 LT Brochure, 05/19/88.
 Kyosera 386AX, 09/00/88.

NEC PC-9801, 10/26/88.
Sanyo MBC-17LTJ, 10/00/88.
Toshiba T 1600 11/00/88.
Sanyo MBC 17LTJH, 11/28/88.
Oki "IF 386 AX", 12/09/88.
Kyosera 386-SX Laptop AX, 01/10/89.
Seiko-Epson PC-286LS, 02/16/89.
NEC PC-9801 LV21, 05/13/89.
Fujitsu G-150LT, 05/19/89.
Visual Computer Brochure, undated.
Gavilan Mobile Computer Brochure, undated.
Olivetti Personal Computer M15 Brochure, undated.
Epson HC-88, HC80 Brochure, undated.
Epson PX-8 Personal Computer Brochure, undated.
Mitsubishi mp286L Laptop Personal Computer Brochure, undated.
Grid Brochure, undated.
Dauphin Laptop Computer Brochure, undated.
MicroDIRECT Brochure, undated.
SuperSport Brochure, undated.
Panasonic KX-D4930 Advertisement, undated.
Ampere WS-1 Advertisement, undated.
NEC Contrast, undated.
NEC Starlet PC-8401A Advertisement, undated.

Victor Technologies, V 286 P Catalog, undated.

Primary Examiner—Wallace R. Burke
Assistant Examiner—Freda S. Nunn
Attorney, Agent, or Firm—Banner, Birch, McKie & Beckett

[57]

CLAIM

The ornamental design for an electronic computer, as shown and described.

DESCRIPTION

FIG. 1 is a top front and right side perspective view of an Electronic Computer showing our new design;
FIG. 2 is a top plan view thereof;
FIG. 3 is a bottom plan view thereof;
FIG. 4 is a front elevational view thereof;
FIG. 5 is a rear elevational view thereof;
FIG. 6 is a left side elevational view thereof;
FIG. 7 is a right side elevational view thereof;
FIG. 8 is a right side elevational view thereof, the display panel in the closed position;
FIG. 9 is a front elevational view thereof, the display panel in the closed position; and
FIG. 10 is a top plan view thereof, the display panel in the closed position

FIG. 1

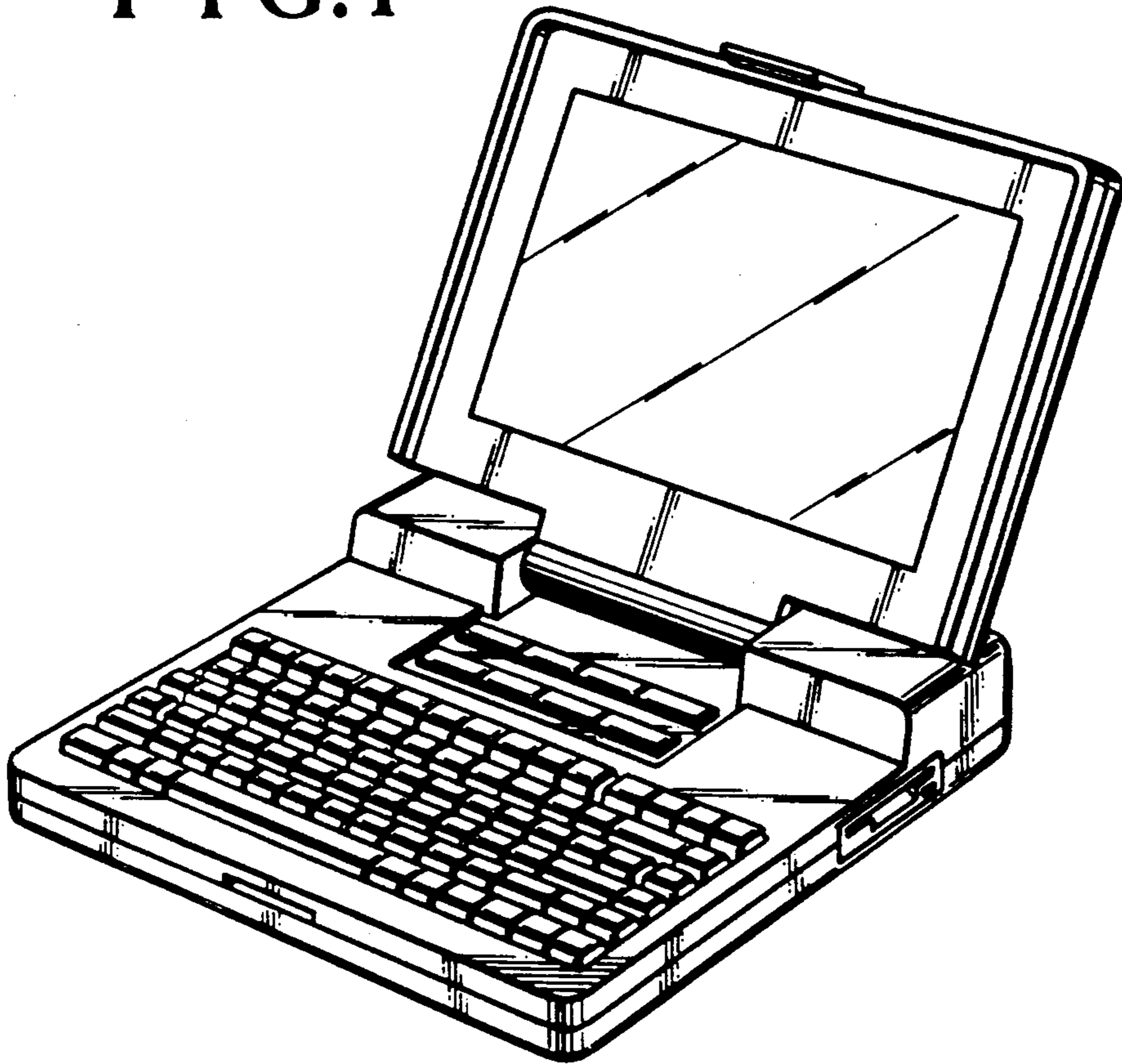


FIG. 2

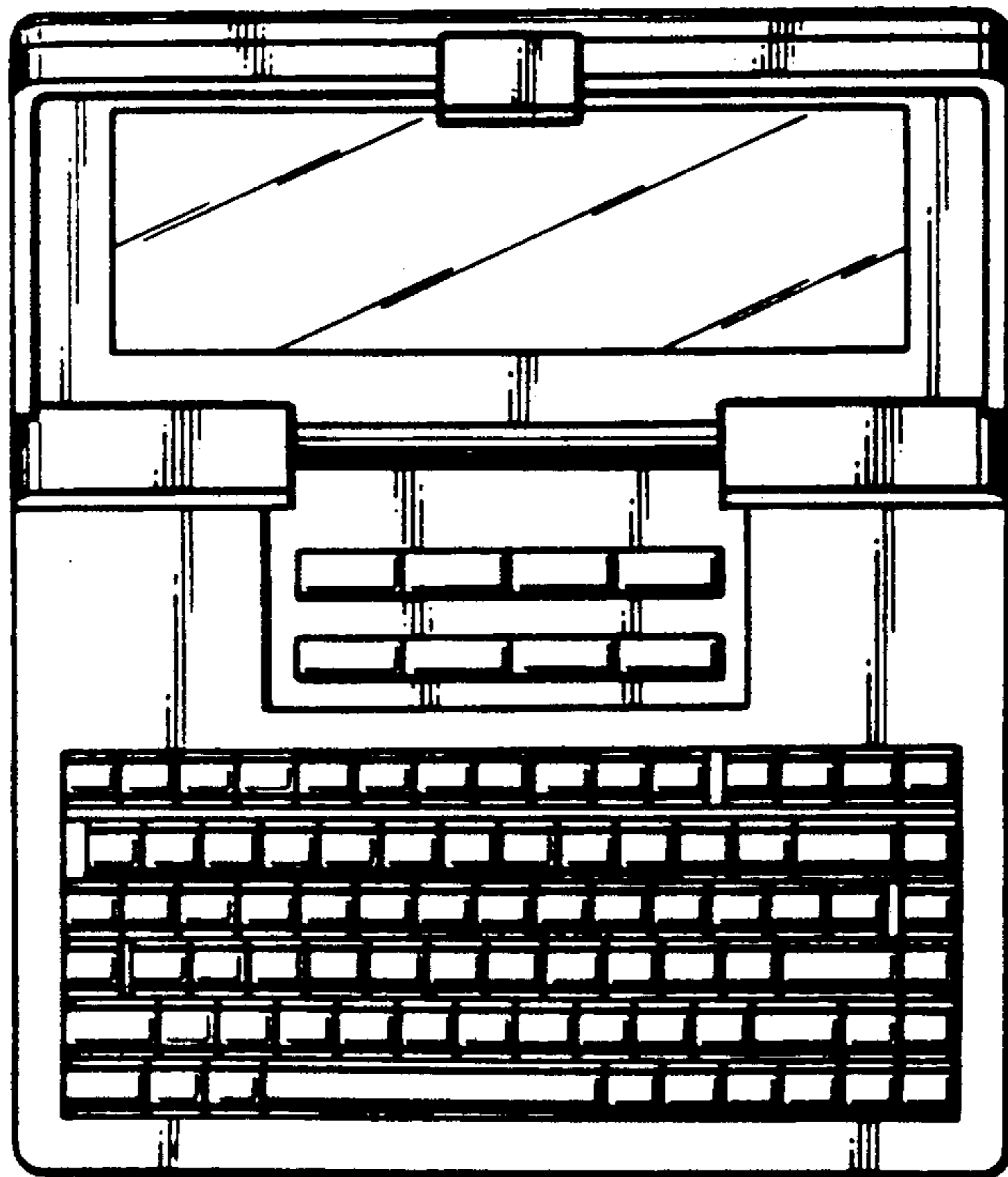


FIG.3

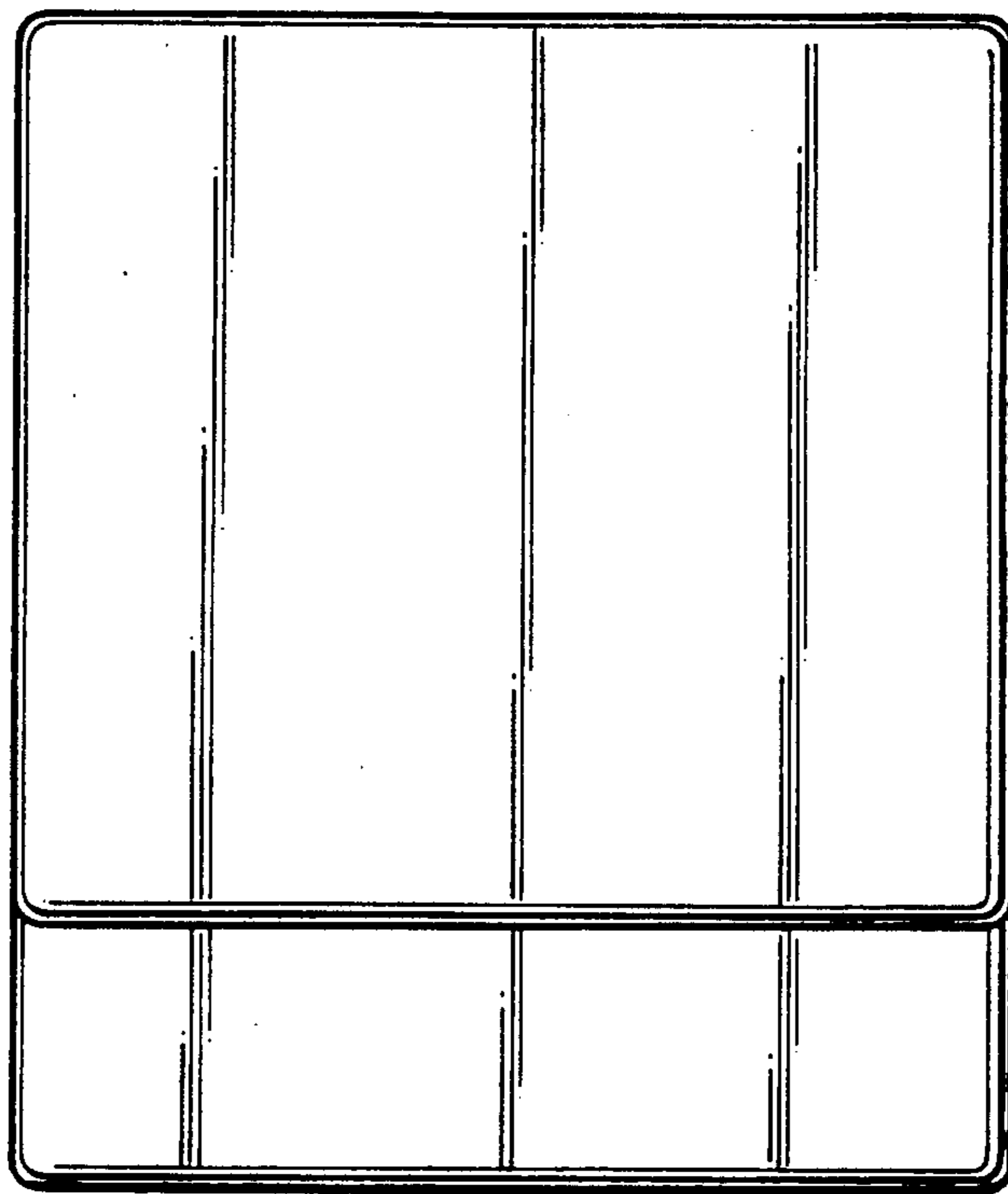


FIG.4

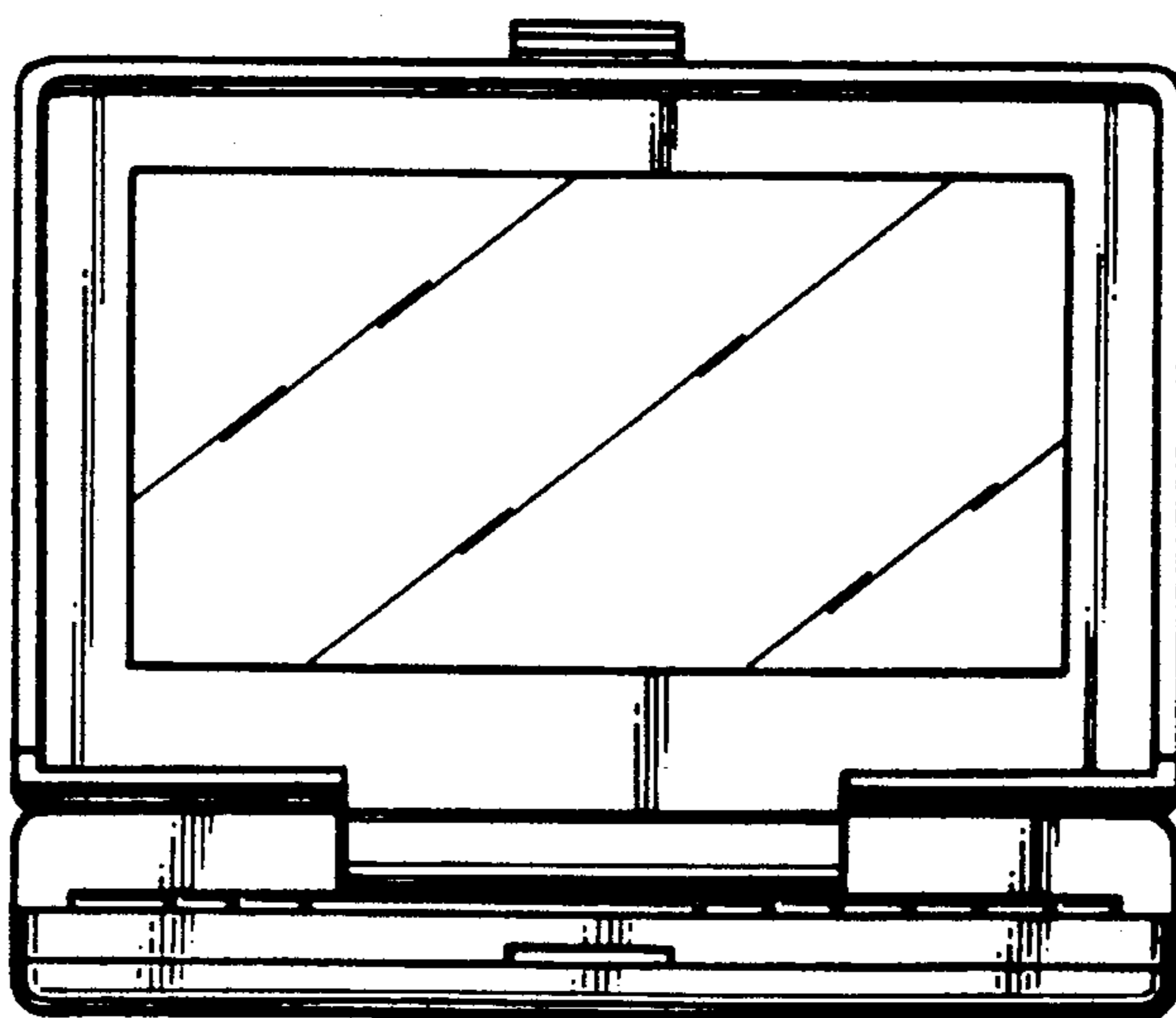


FIG.5

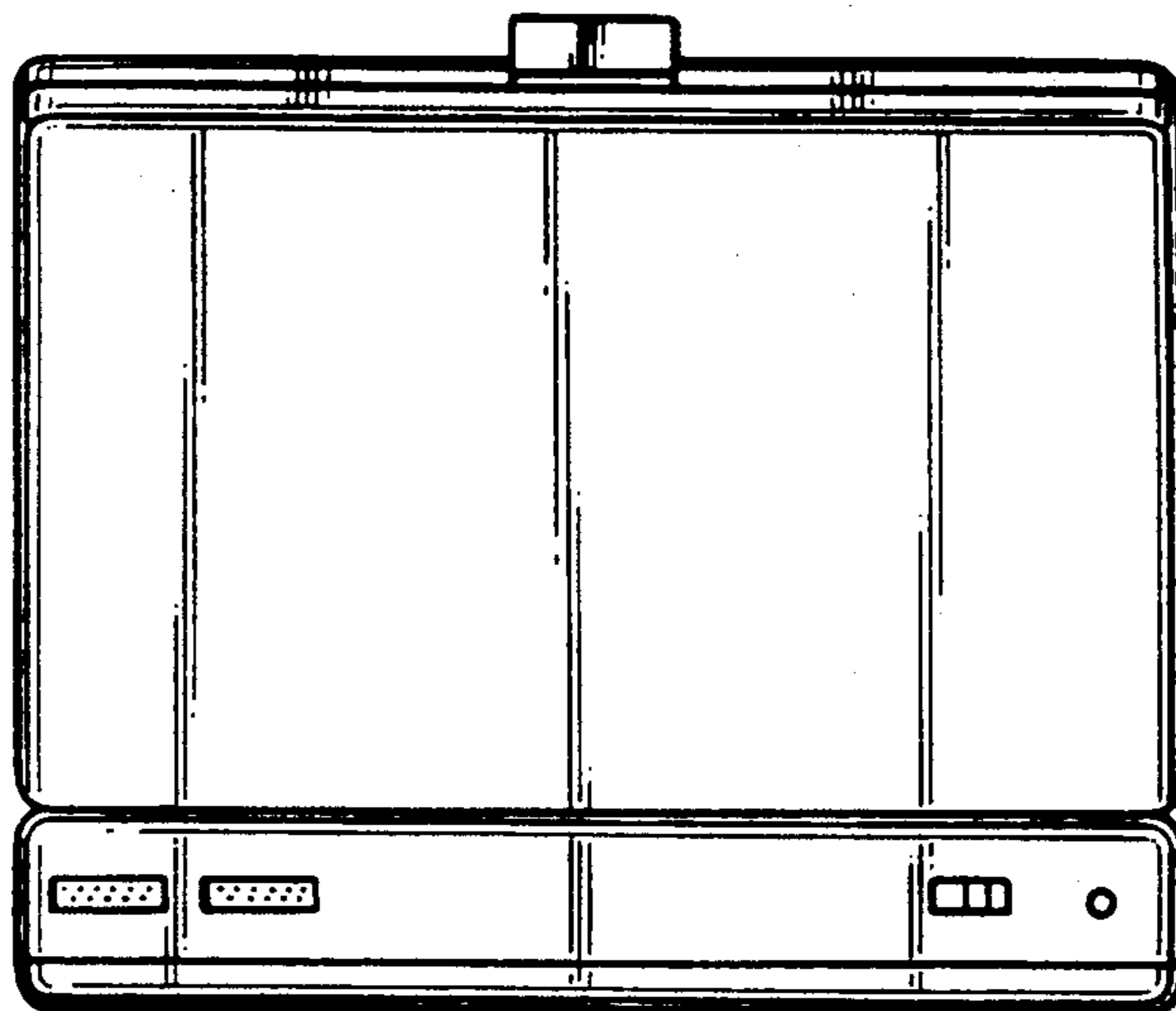


FIG.6

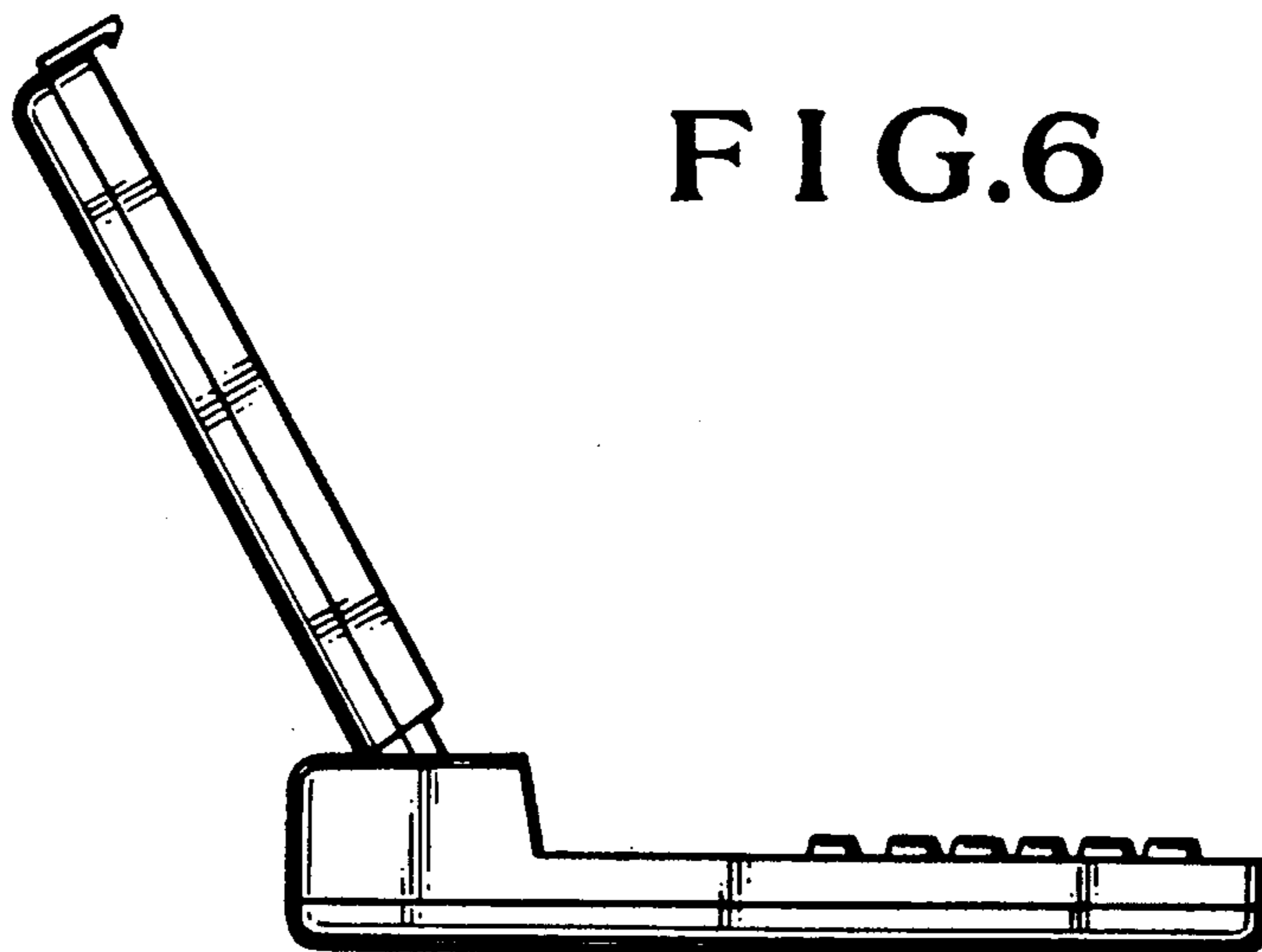


FIG. 7

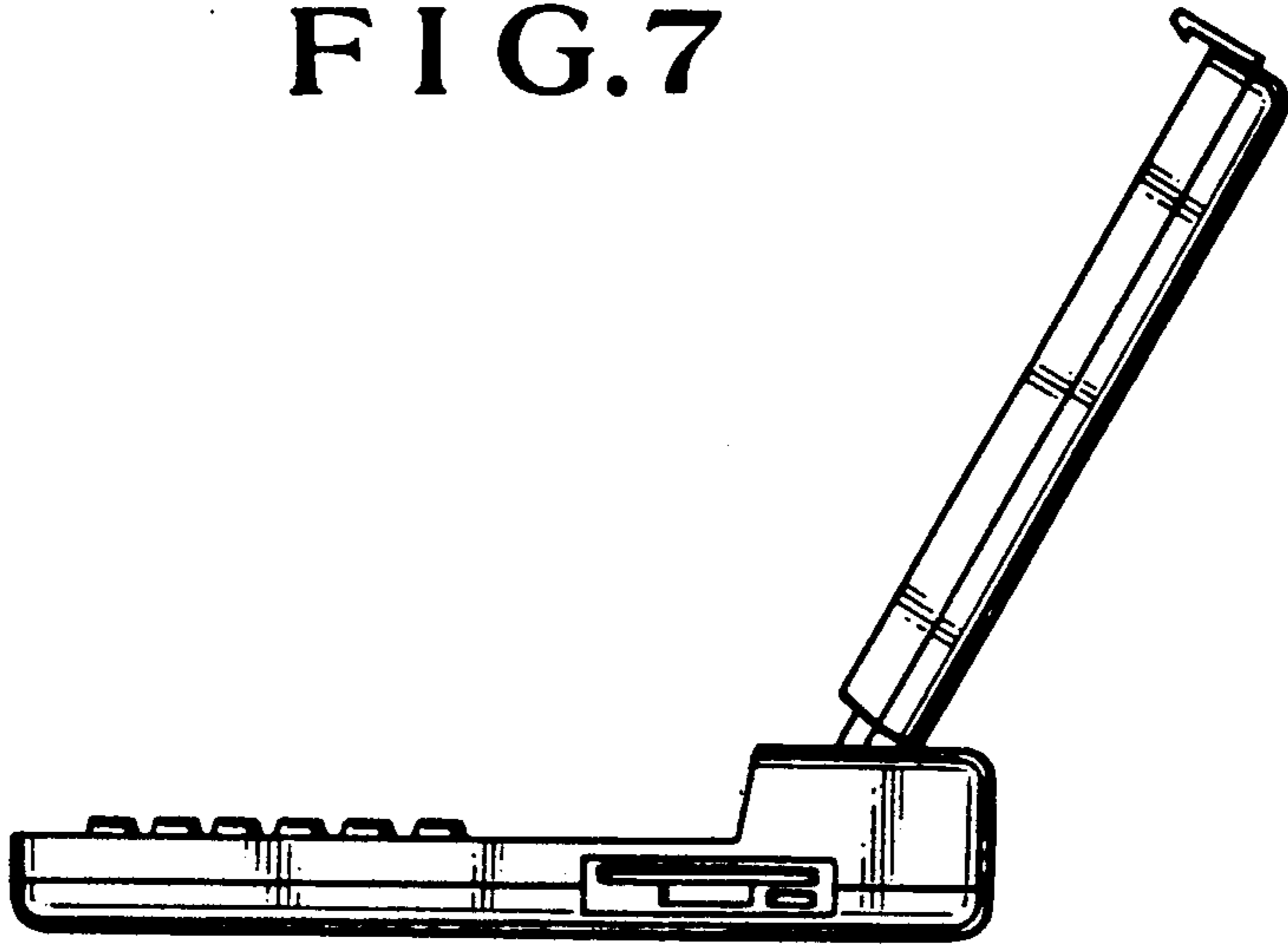


FIG. 8

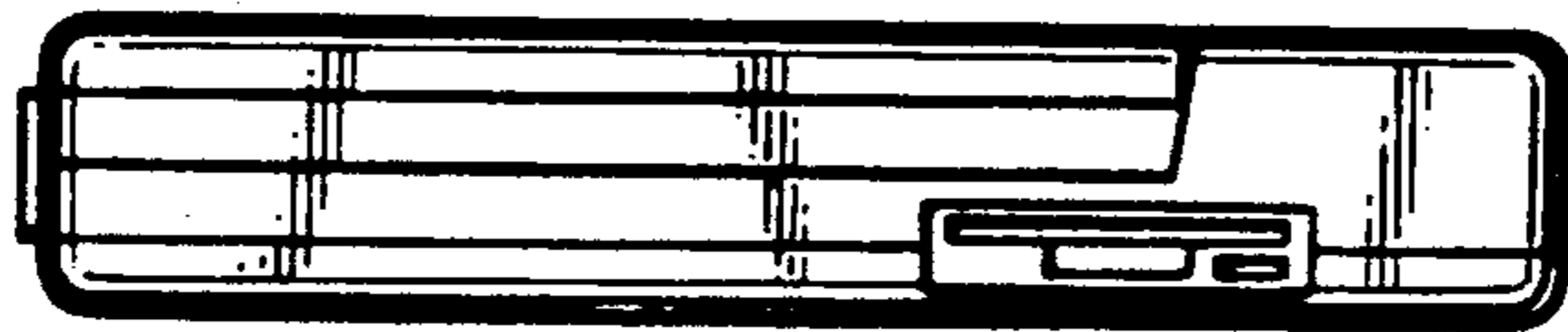


FIG.9



FIG.10

