



US00D324371S

United States Patent [19]
Patty

[11] **Patent Number: Des. 324,371**
[45] **Date of Patent: ** Mar. 3, 1992**

[54] **ELECTRIC TRANSFORMER**

[75] **Inventor: Maurice Patty, Seynod, France**
[73] **Assignee: Societe pour l'Application de l'Optique et de l'Electronique a la Recherche et a l'Automatisation Optelec, Albertville, France**

[**] **Term: 14 Years**

[21] **Appl. No.: 345,539**

[22] **Filed: May 1, 1989**

[30] **Foreign Application Priority Data**

Jul. 11, 1988 [FR] France 88 6776
[52] **U.S. Cl. D13/110**
[58] **Field of Search D13/110; 361/332, 356-357, 361/363-364, 376, 360, 390; 336/90, 98; 174/50, 52.1**

[56] **References Cited**

U.S. PATENT DOCUMENTS

D. 209,749 1/1968 D'Entremont D13/110
D. 294,565 3/1988 Makinson et al. D13/110
4,027,279 5/1977 Shigehara 336/90
4,527,229 7/1985 Imamura et al. 336/96 X

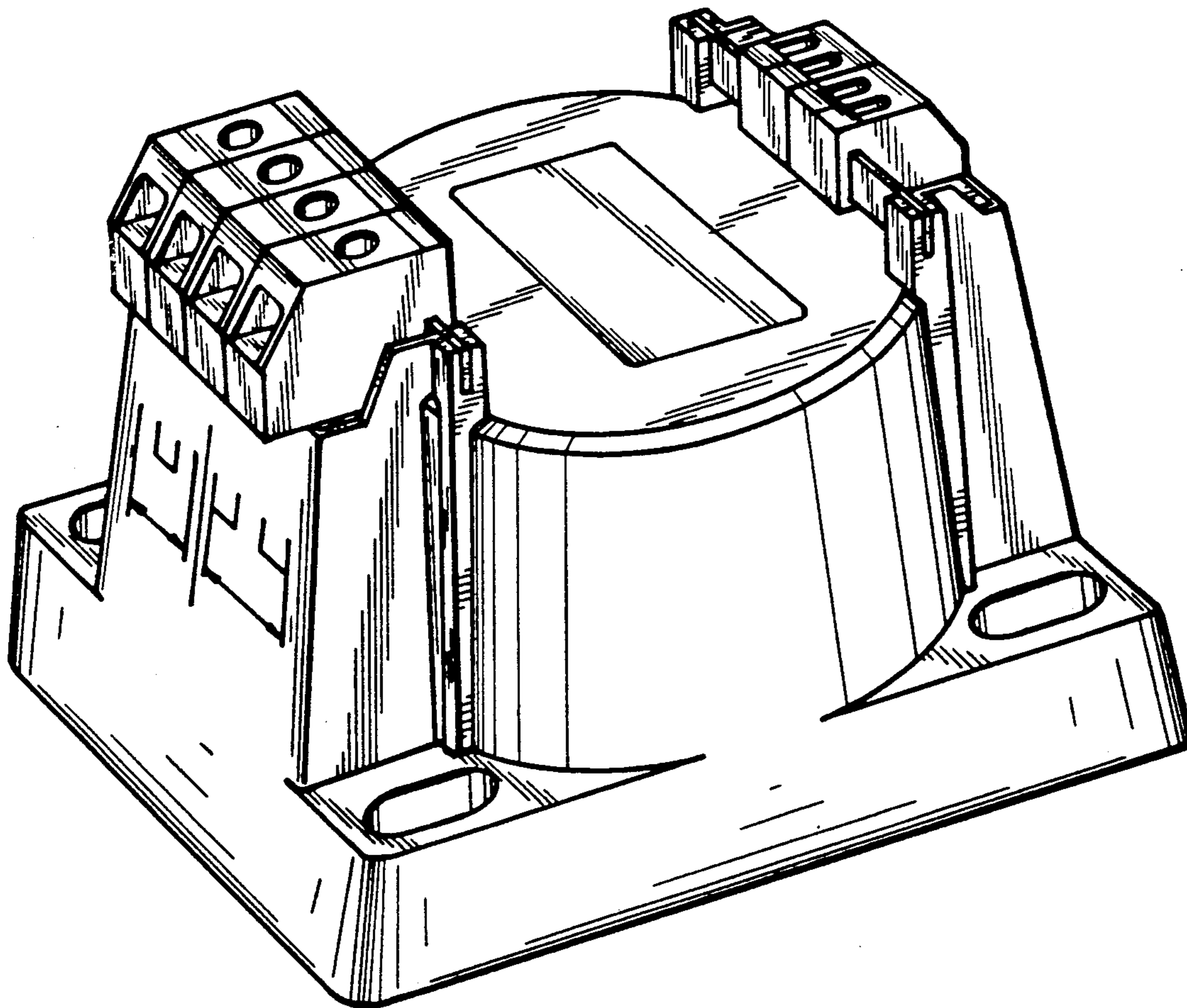
Primary Examiner—Susan J. Lucas
Assistant Examiner—M. H. Tung
Attorney, Agent, or Firm—Roland Plottel

[57] **CLAIM**

The ornamental design for an electric transformer, as shown and described.

DESCRIPTION

FIG. 1 is a top perspective view of an electric transformer showing my new design;
FIG. 2 is a front elevational view thereof;
FIG. 3 is a right side elevational view thereof;
FIG. 4 is a left side elevational view thereof;
FIG. 5 is a top plan view thereof;
FIG. 6 is a rear elevational view thereof; and
FIG. 7 is a bottom plan view thereof.



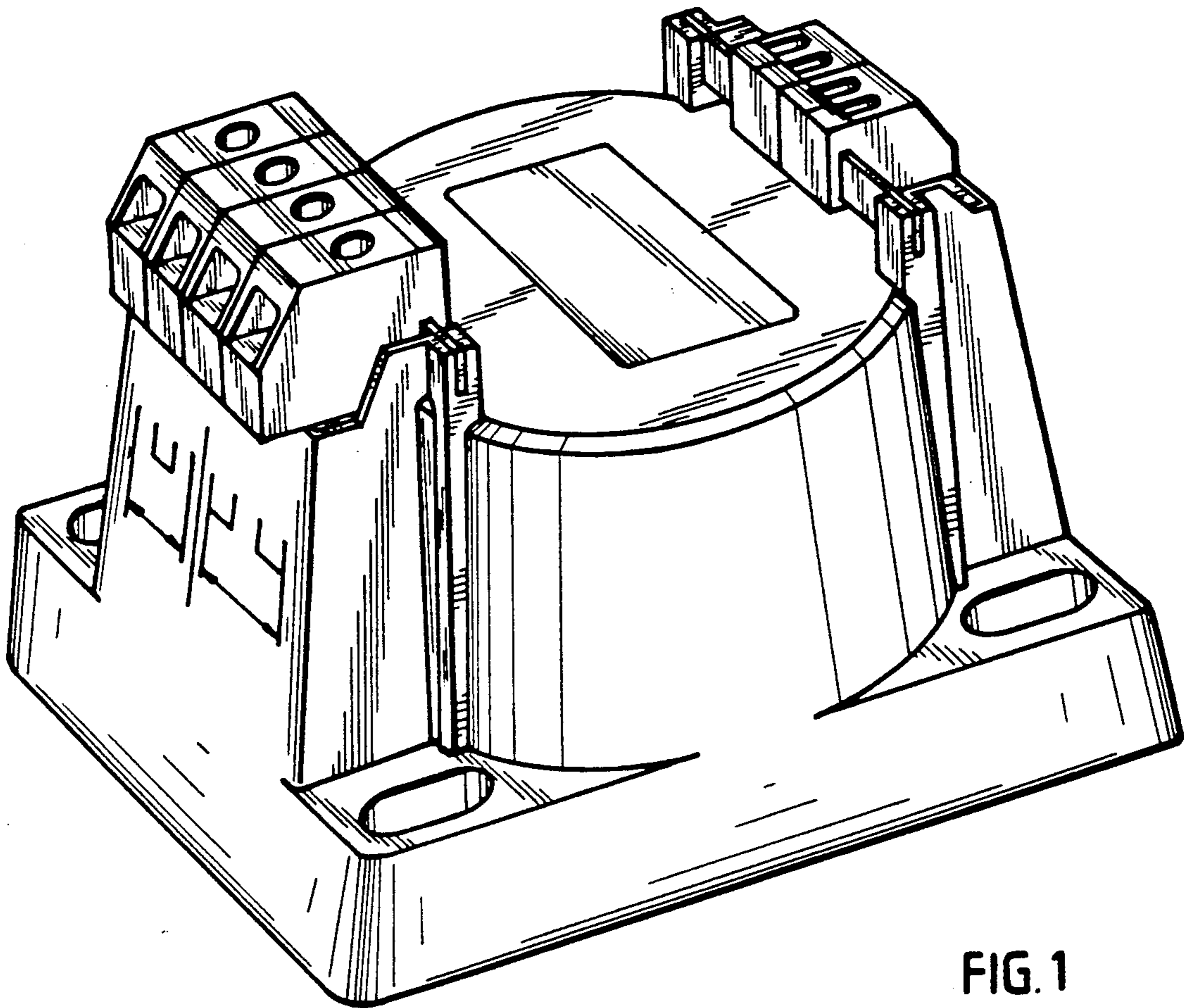


FIG. 1

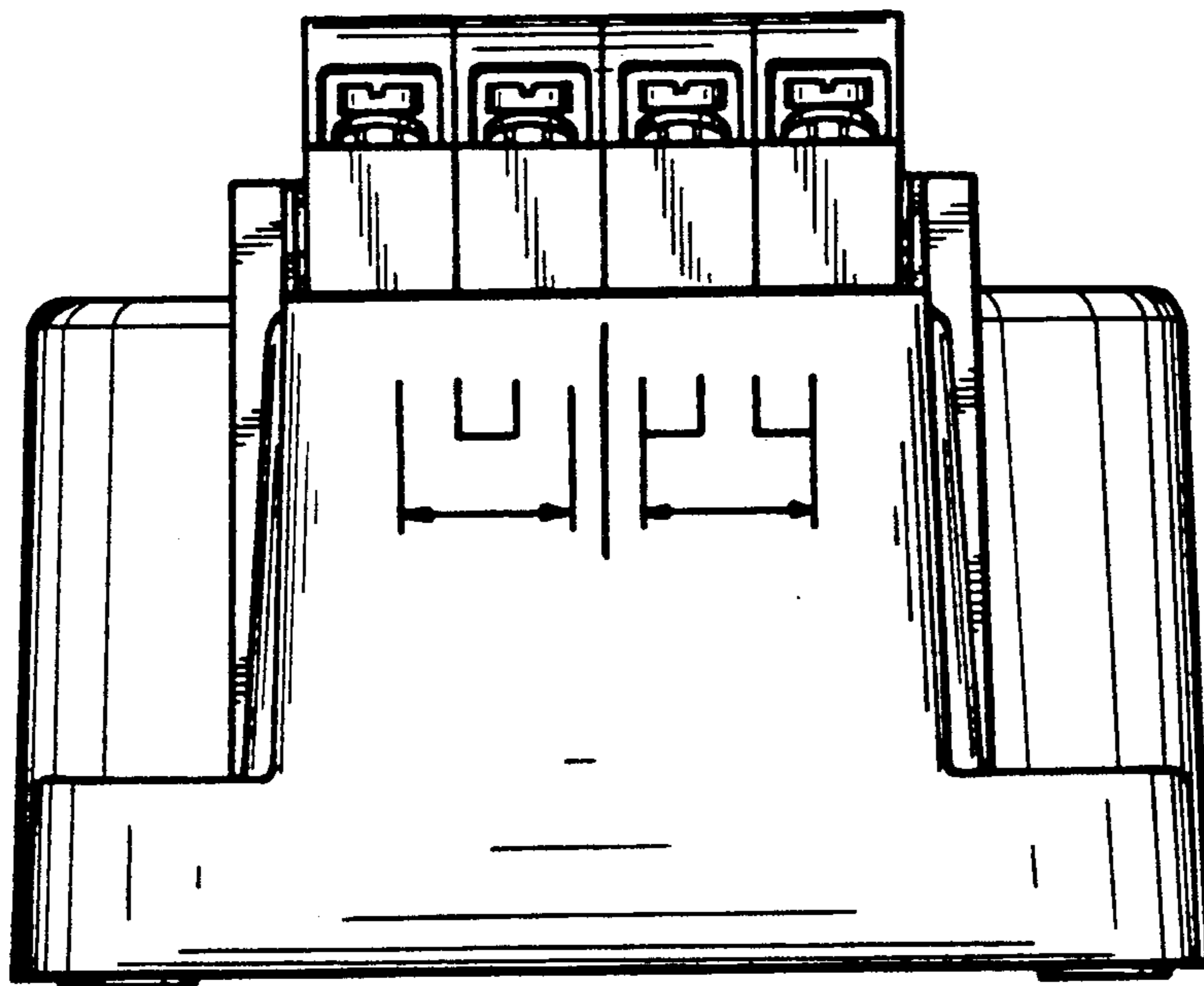


FIG. 2

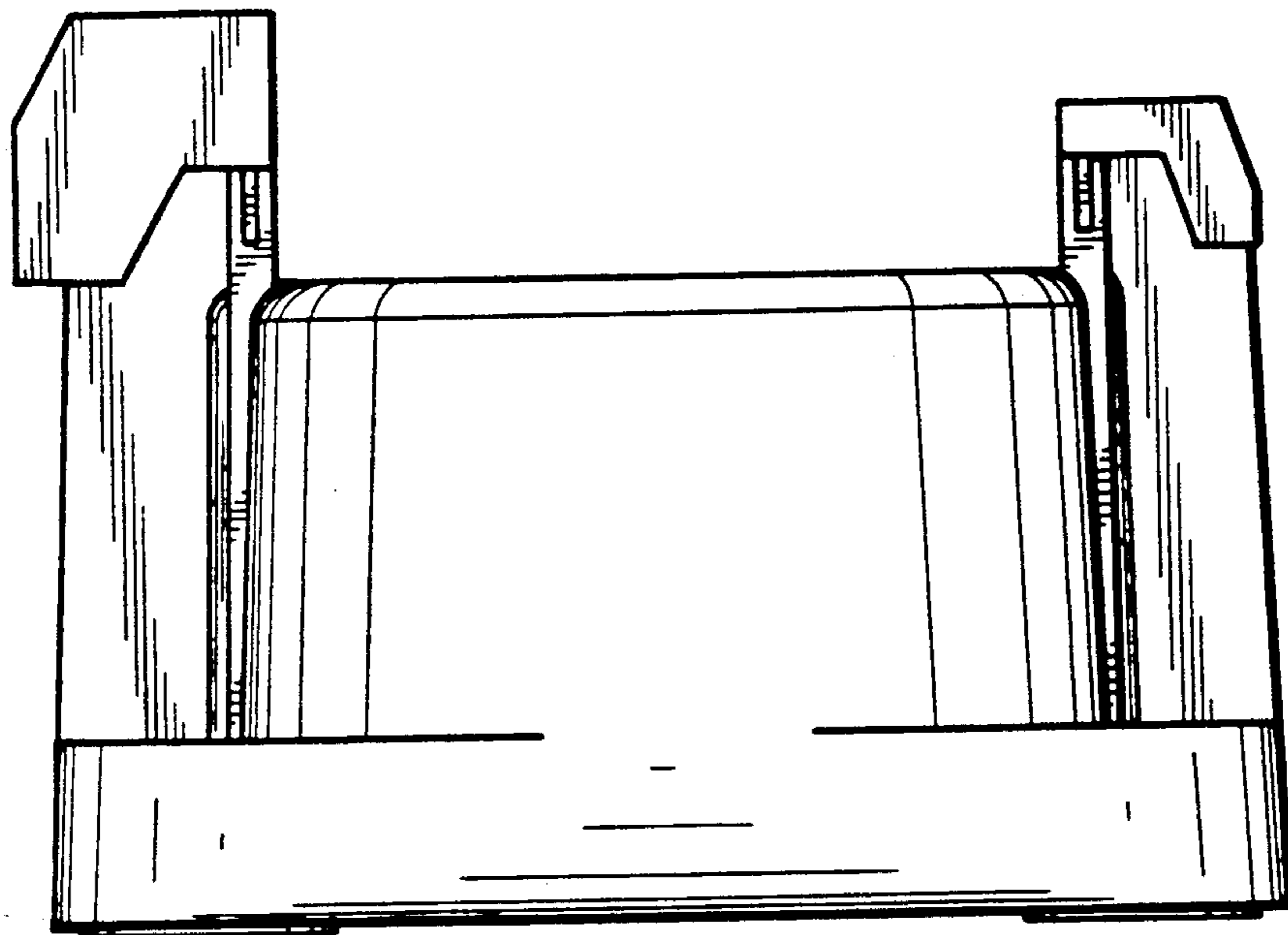


FIG. 3

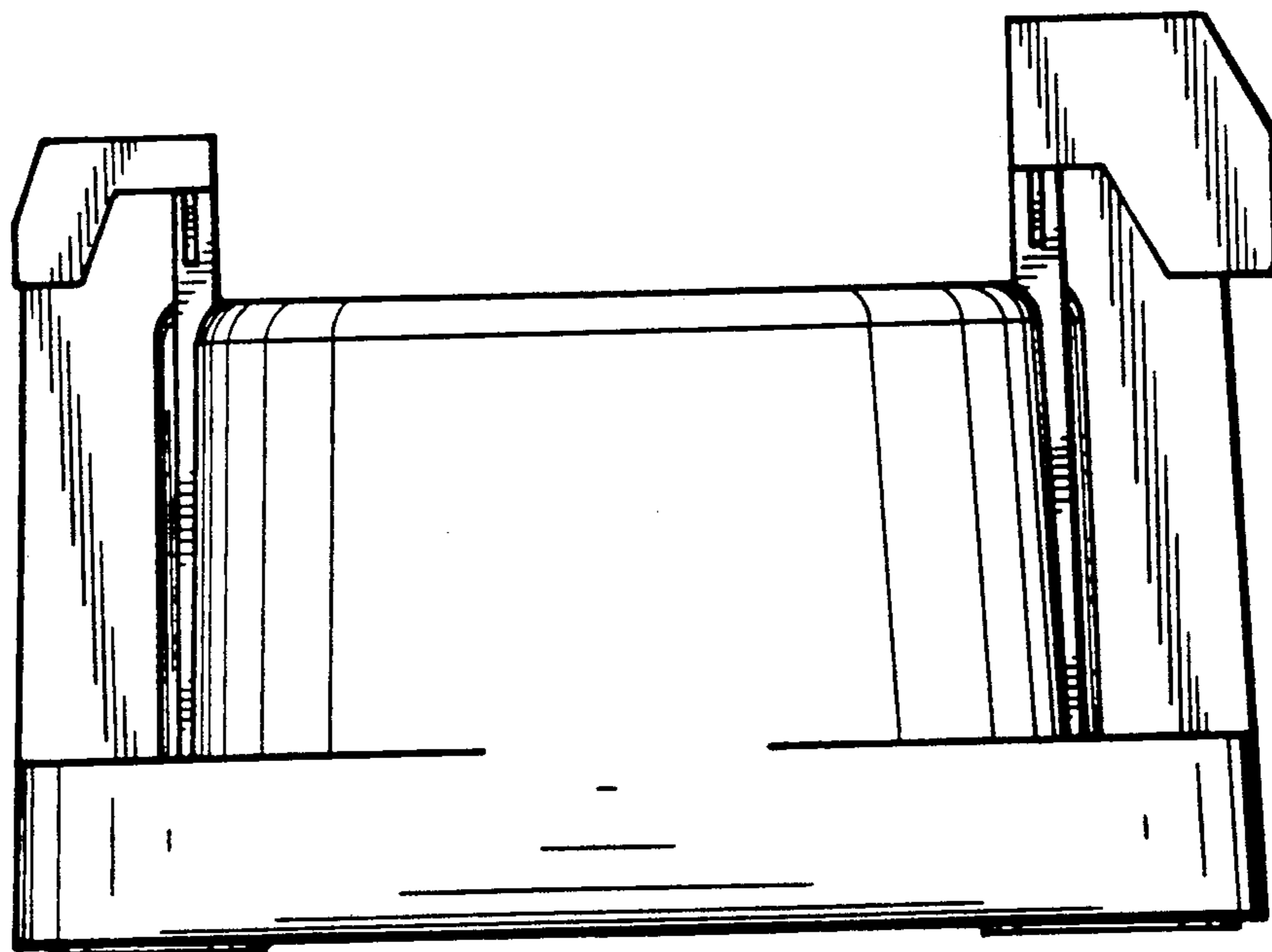


FIG. 4

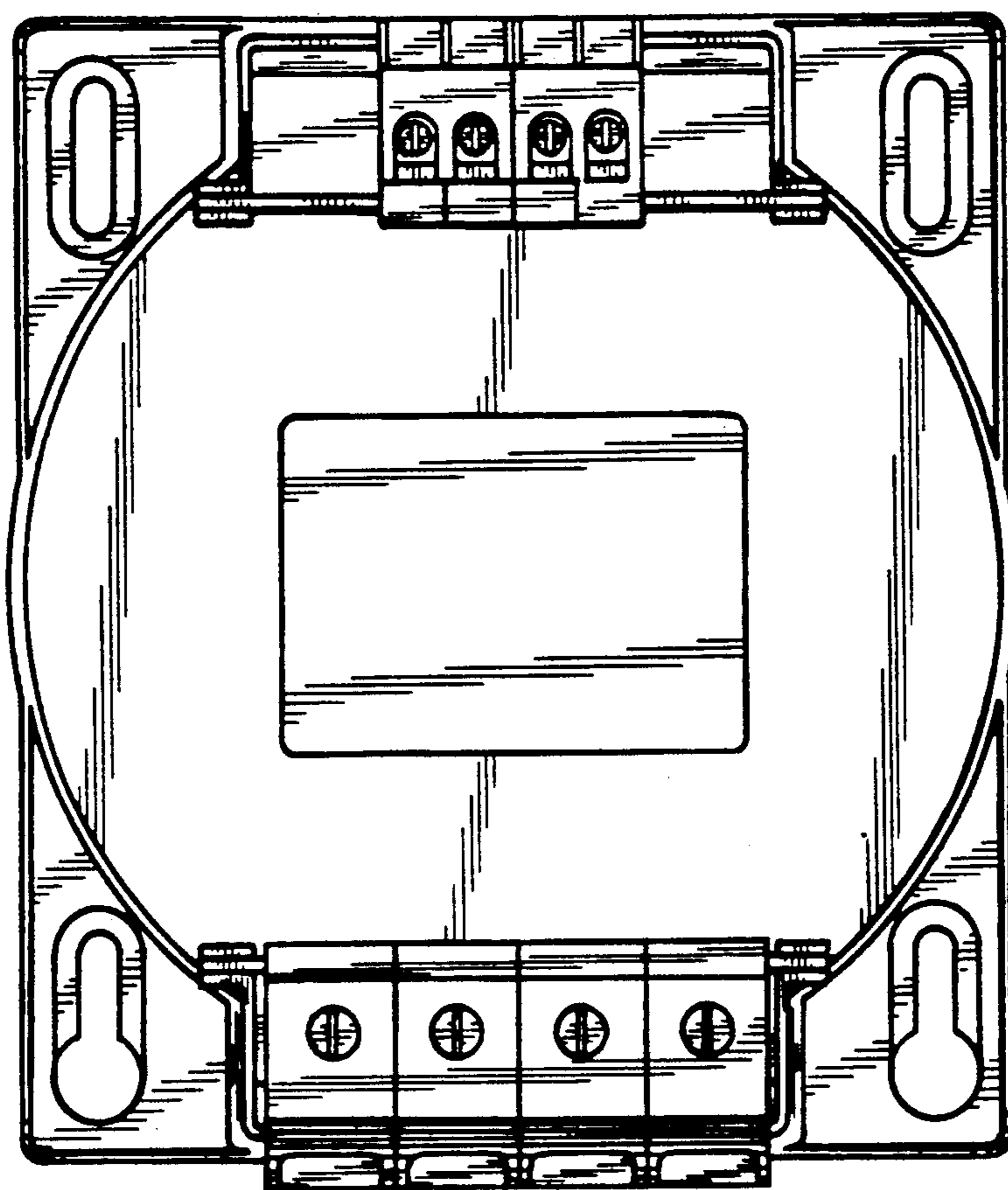


FIG. 5

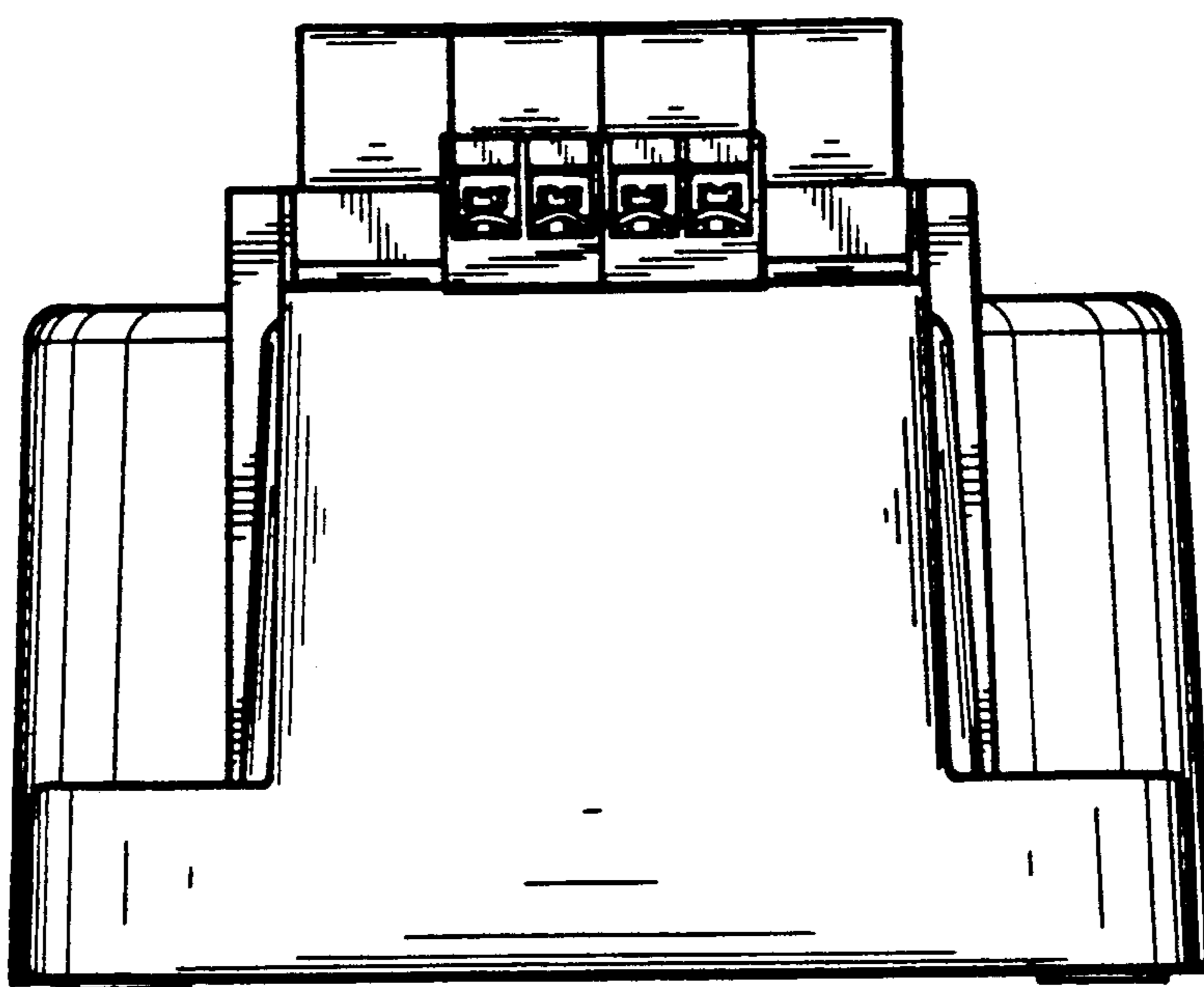


FIG. 6

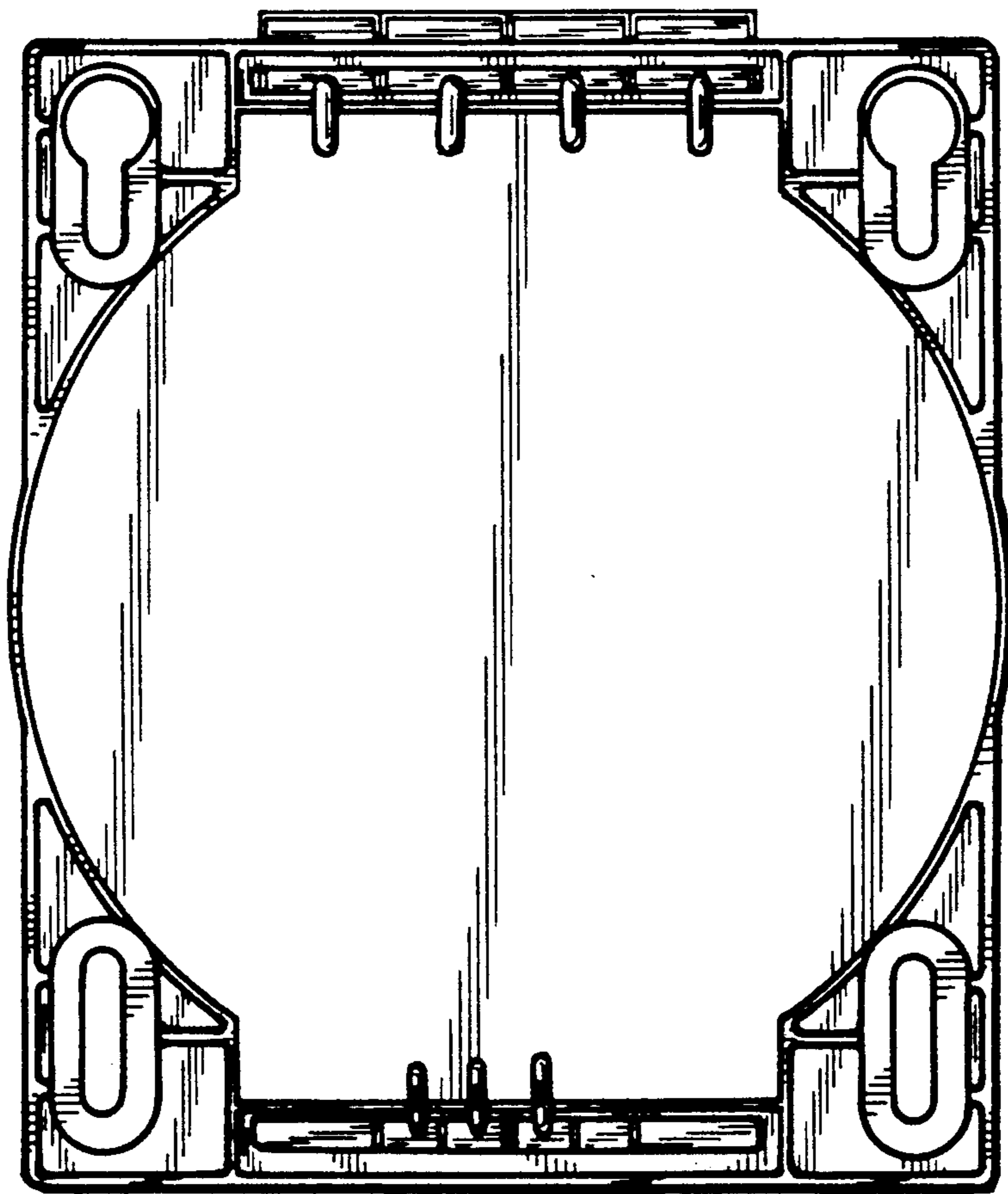


FIG. 7

UNITED STATES PATENT OFFICE
CERTIFICATE OF CORRECTION

Patent No. DES. 324,371

Dated Mar. 3, 1992

Inventor(s) Maurice Patty

It is certified that error appears in the above-identified patent and that said Letters Patent is hereby corrected as shown below:

Title Page, left column, after "Foreign Application
Priority Date" change "Jul. 11, 1988" to -- Nov. 7, 1988 --.

Signed and Sealed this
Eighth Day of June, 1993

Attest:



MICHAEL K. KIRK

Attesting Officer

Acting Commissioner of Patents and Trademarks