



US00D324365S

**United States Patent** [19]  
**Kobayashi**

[11] **Patent Number: Des. 324,365**  
[45] **Date of Patent: \*\* Mar. 3, 1992**

[54] **BOAT**

[75] **Inventor: Noboru Kobayashi, Iwata, Japan**

[73] **Assignee: Yamaha Hatsudoki Kabushiki Kaisha, Iwata, Japan**

[\*\*] **Term: 14 Years**

[21] **Appl. No.: 537,525**

[22] **Filed: Jun. 12, 1990**

[52] **U.S. Cl. .... D12/300; D12/313**

[58] **Field of Search ..... D12/300, 301, 311, 312, D12/313, 314, 315; 114/56, 271, 270**

[56] **References Cited**

**FOREIGN PATENT DOCUMENTS**

8707231 12/1987 World Int. Prop. O. .... 114/271

**OTHER PUBLICATIONS**

Harken Brochure, Water Bug.

*Primary Examiner*—Kay H. Chin  
*Attorney, Agent, or Firm*—Ernest A. Beutler

[57] **CLAIM**

The ornamental design for a boat, as shown and described.

**DESCRIPTION**

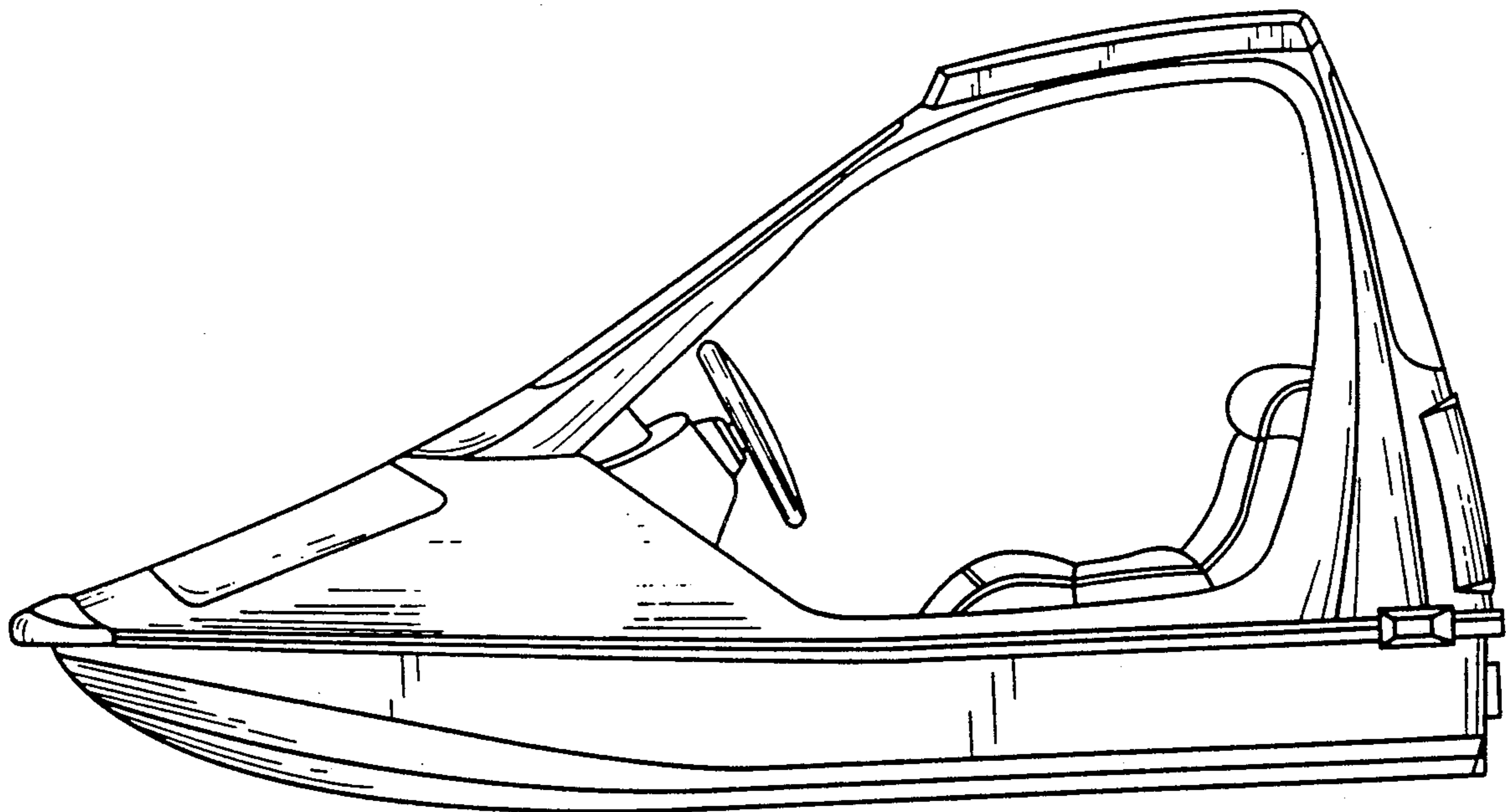
FIG. 1 is a side elevational view of a boat showing my new design, the opposite side view being a mirror image of that shown;

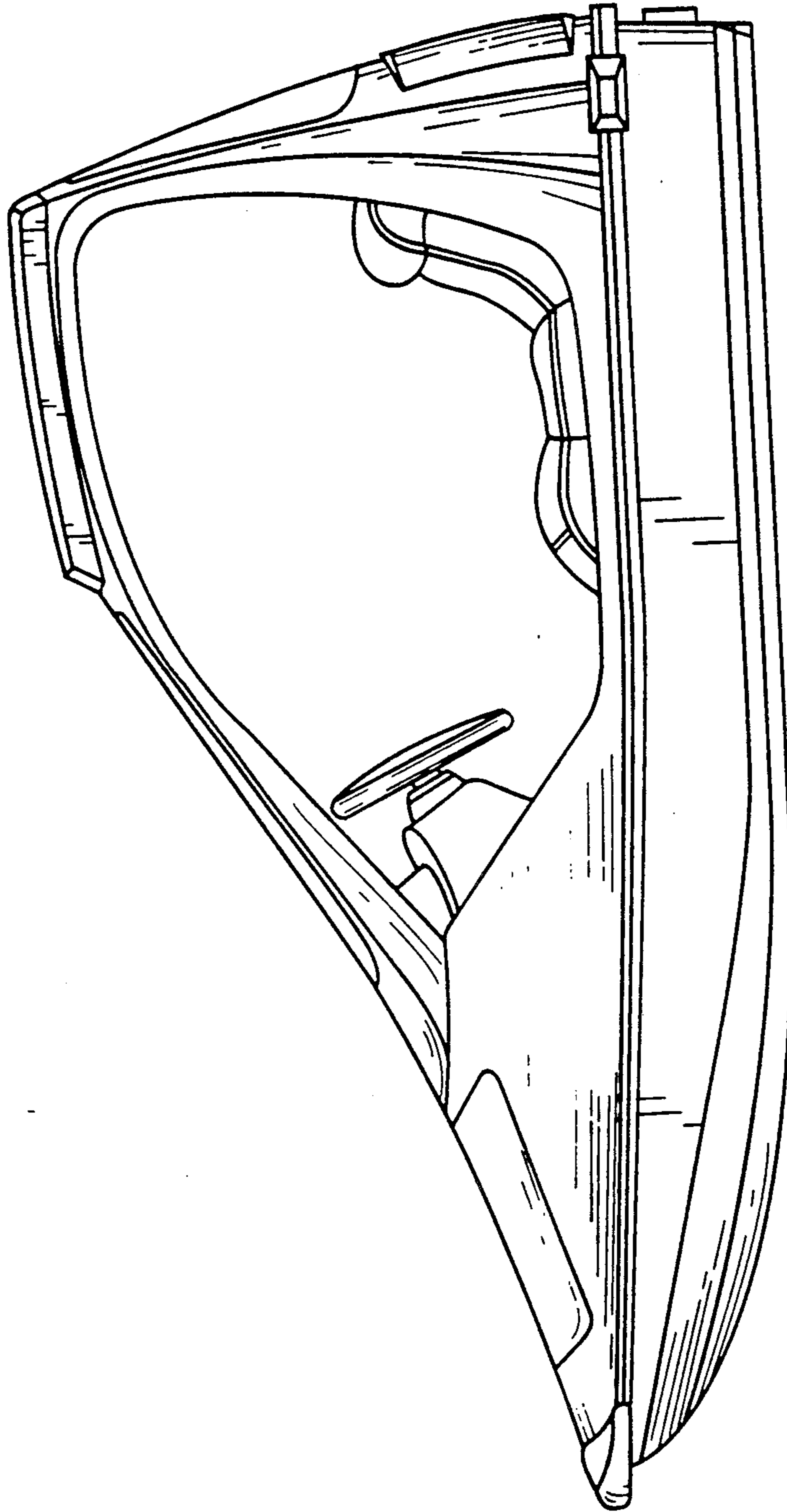
FIG. 2 is a front elevational view thereof;

FIG. 3 is a rear elevational view thereof;

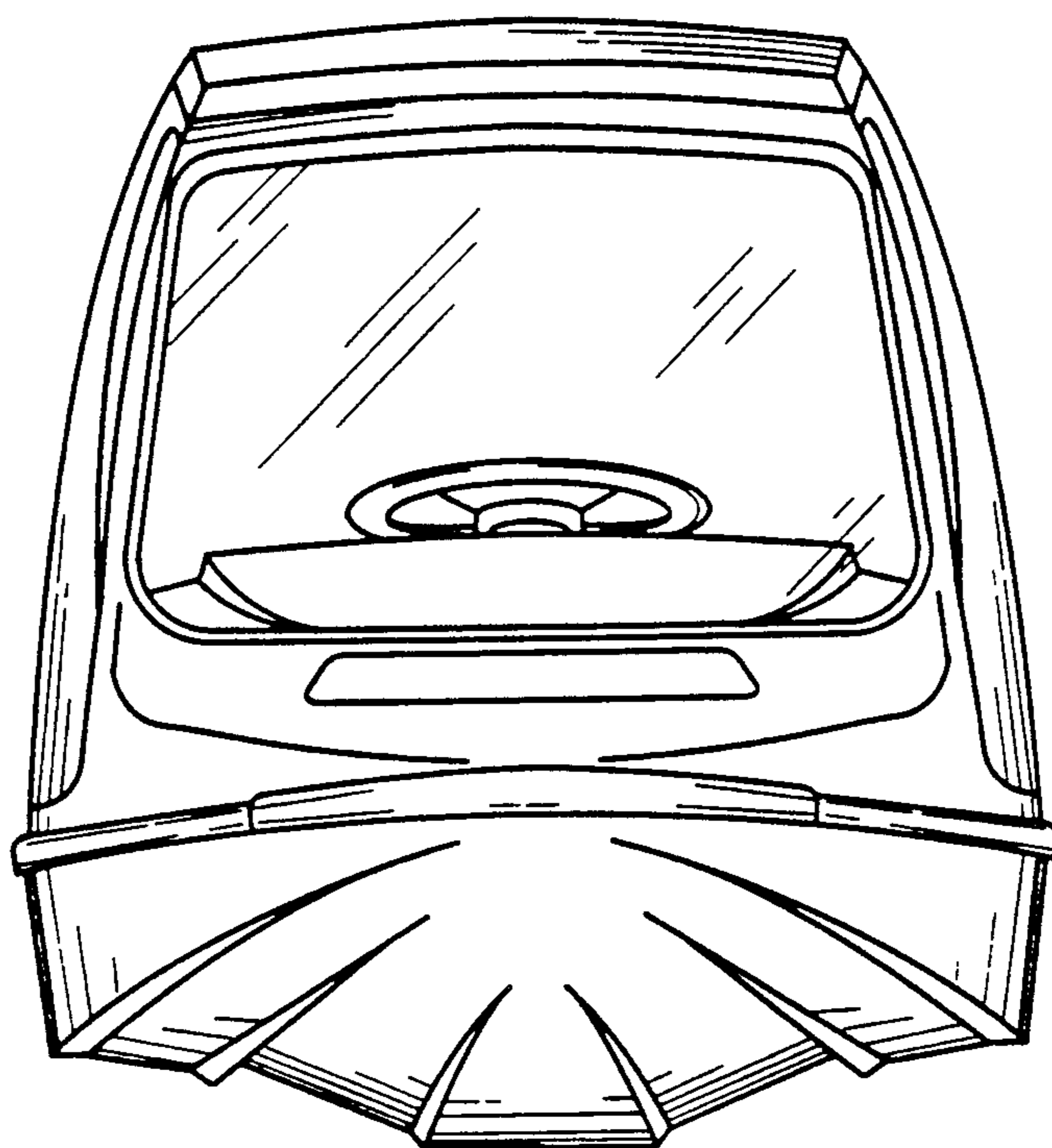
FIG. 4 is a bottom plan view thereof; and

FIG. 5 is a top plan view thereof.

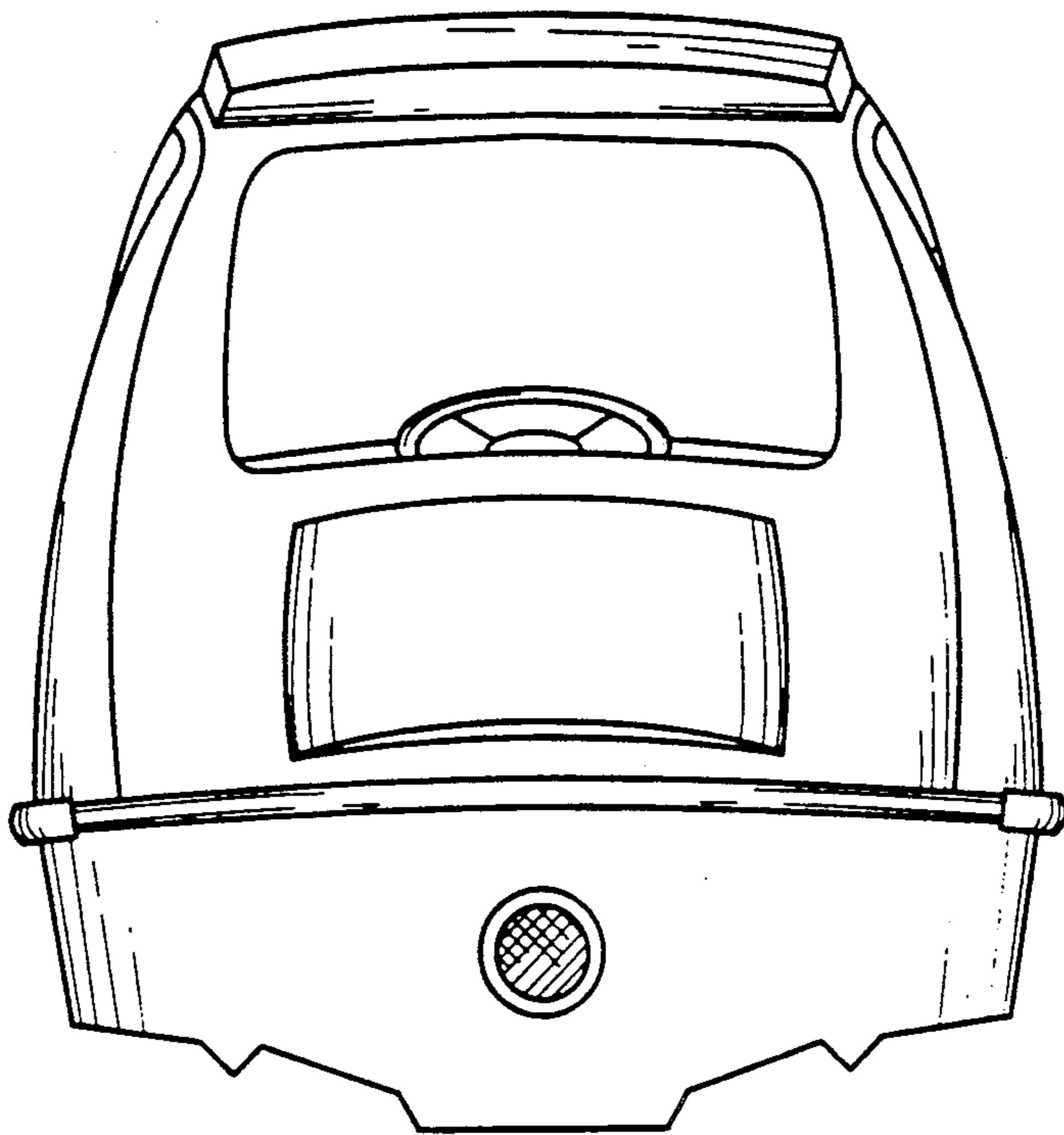




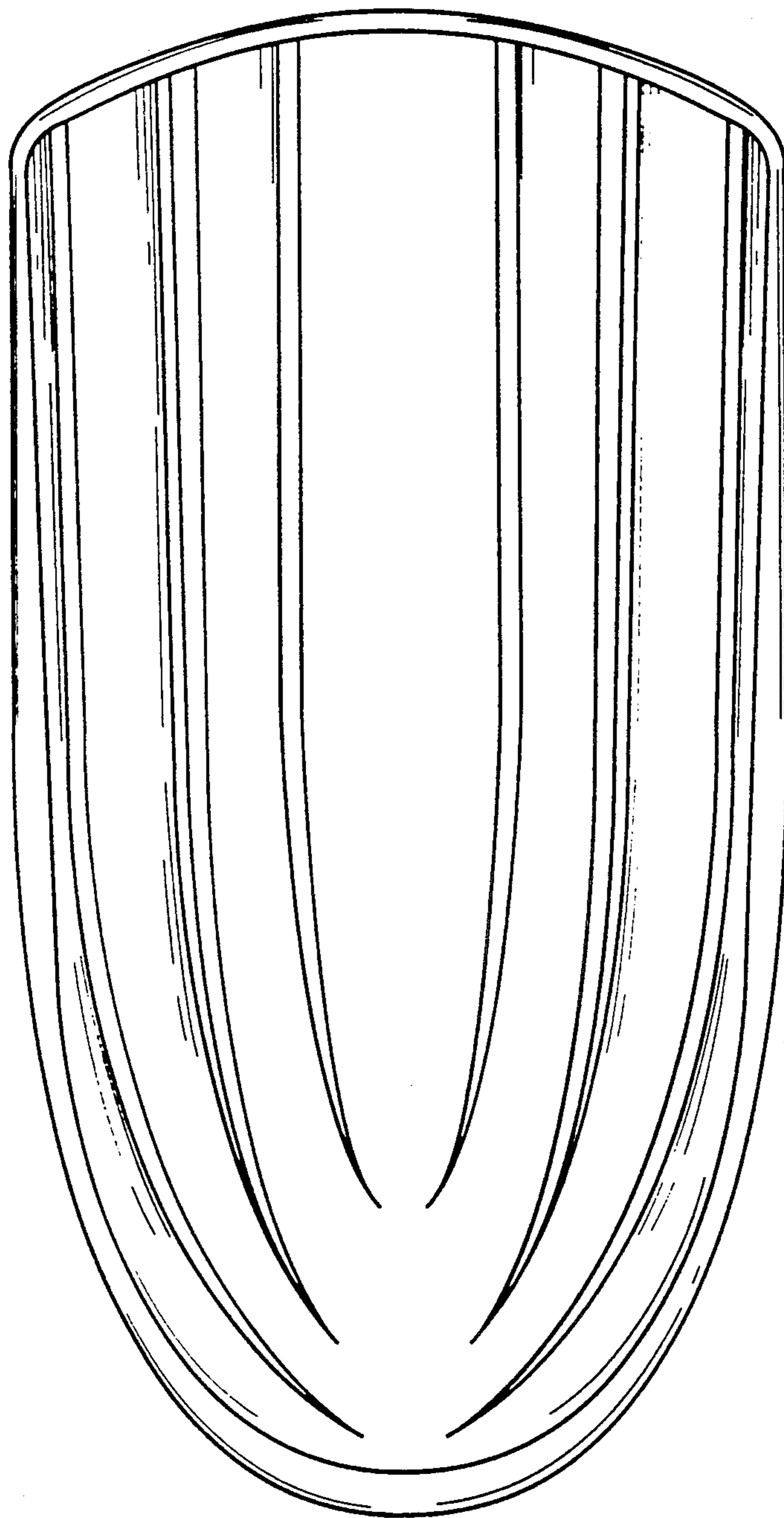
*Fig. 1*



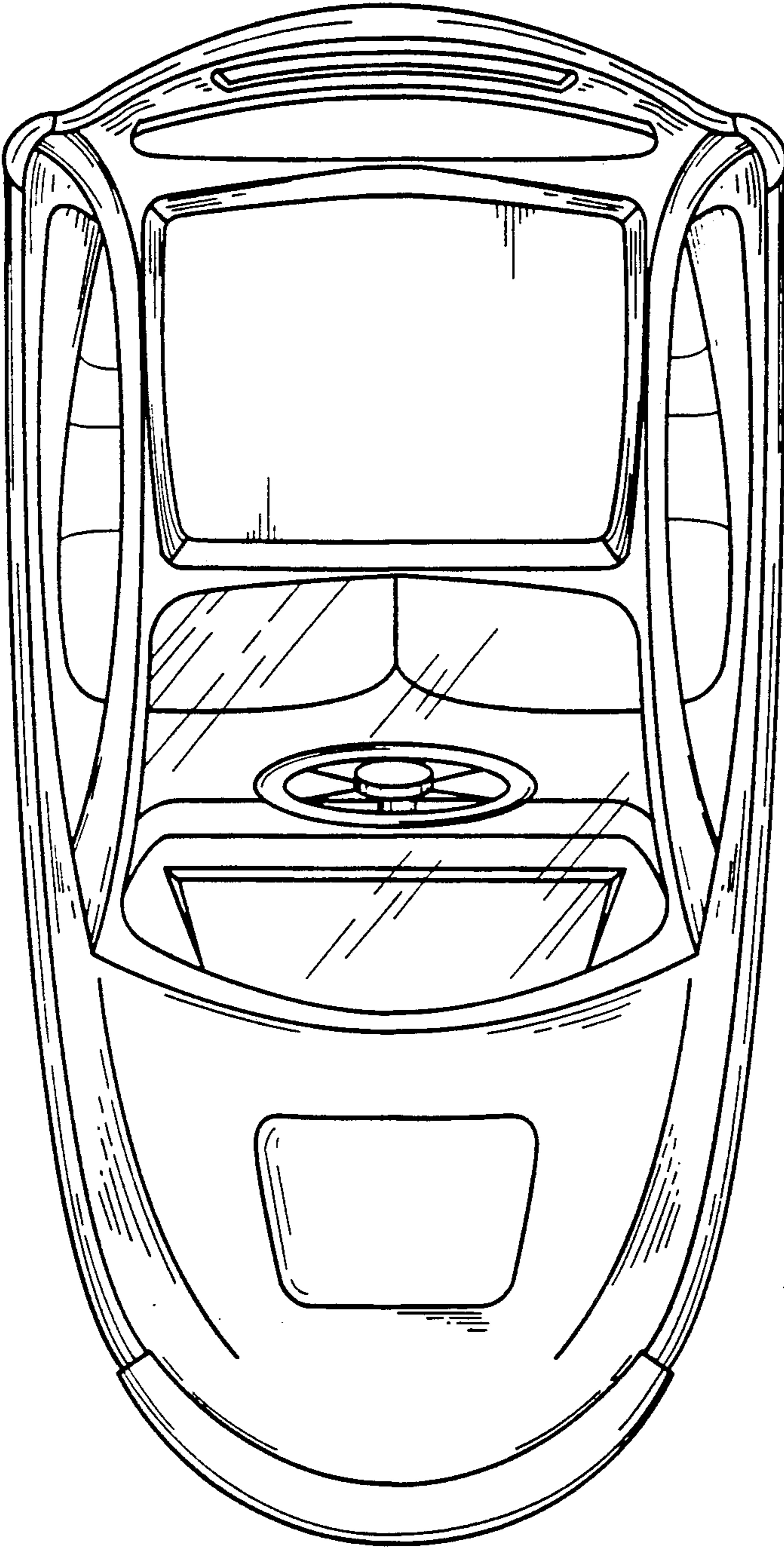
*Fig. 2*



*Fig. 3*



*Fig. 4*



*Fig. 5*