



US00D324364S

United States Patent [19]

Hannon et al.

[11] Patent Number: **Des. 324,364**

[45] Date of Patent: **** Mar. 3, 1992**

[54] **THREE-BLADE PROPELLER**

[76] Inventors: **R. Douglas Hannon; George E. Lackman**, both of c/o Zebco Corporation, 6101 E. Apache St., Tulsa, Okla. 74115

[**] Term: **14 Years**

[21] Appl. No.: **486,732**

[22] Filed: **Mar. 1, 1990**

[52] U.S. Cl. **D12/214; D23/379**

[58] Field of Search **D12/214; D23/379; 416/223 R, 204 R; 415/203**

[56] **References Cited**

U.S. PATENT DOCUMENTS

D. 317,147	5/1991	Hannon et al.	D12/214
1,991,095	2/1935	Hochstetter	416/223 R
3,514,215	5/1970	Williams	416/223 R
4,063,852	12/1977	O'Connor	416/223 R

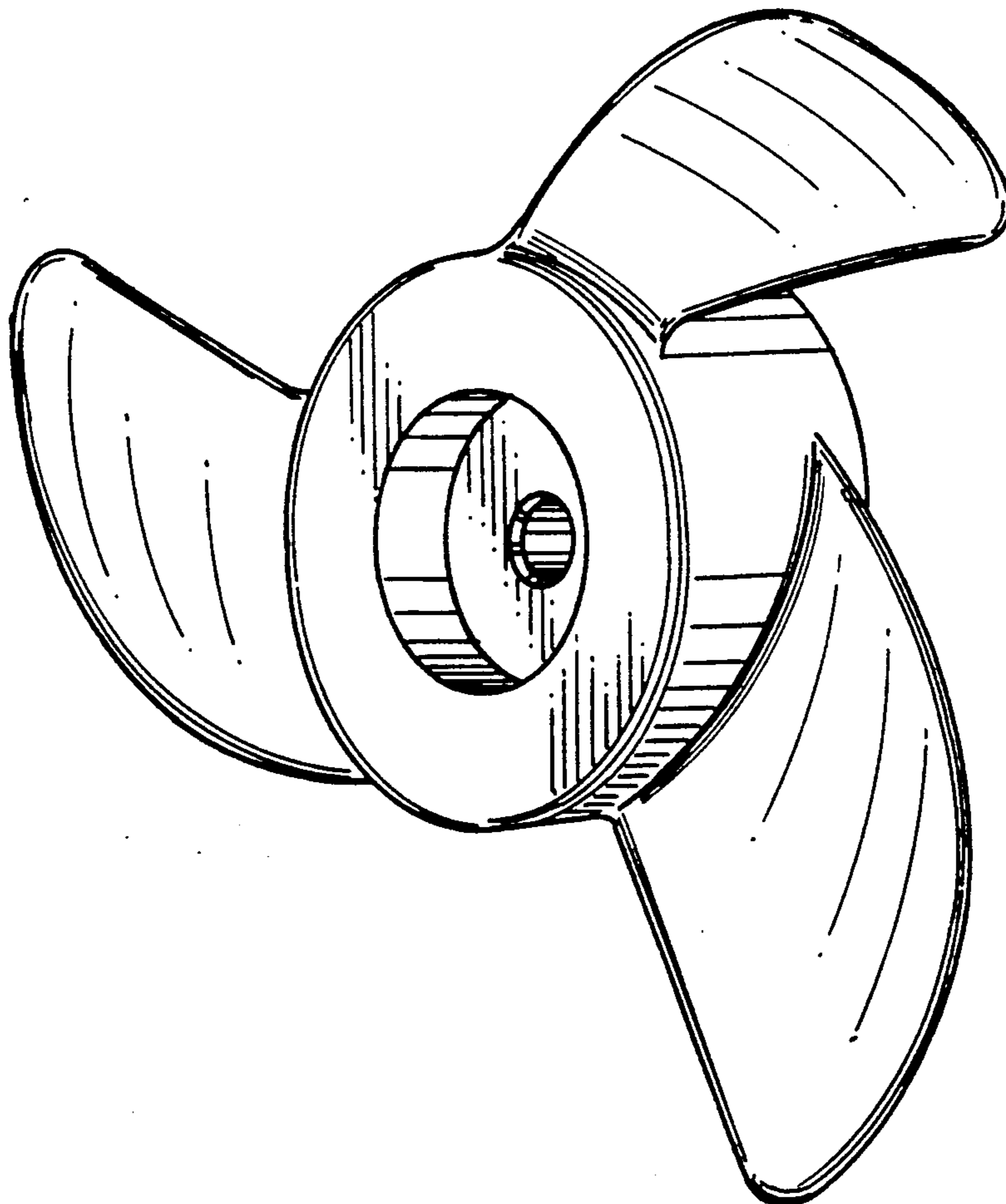
Primary Examiner—Kay H. Chin
Attorney, Agent, or Firm—Wood, Phillips, Mason, Recktenwald & Van Santen

[57] **CLAIM**

The ornamental design for a three-blade propeller, as shown and described.

DESCRIPTION

FIG. 1 is a front and right side perspective view of a three-blade propeller showing our new design; FIG. 2 is a right side elevation view thereof; FIG. 3 is a front elevation view thereof; and FIG. 4 is a rear elevation view thereof.



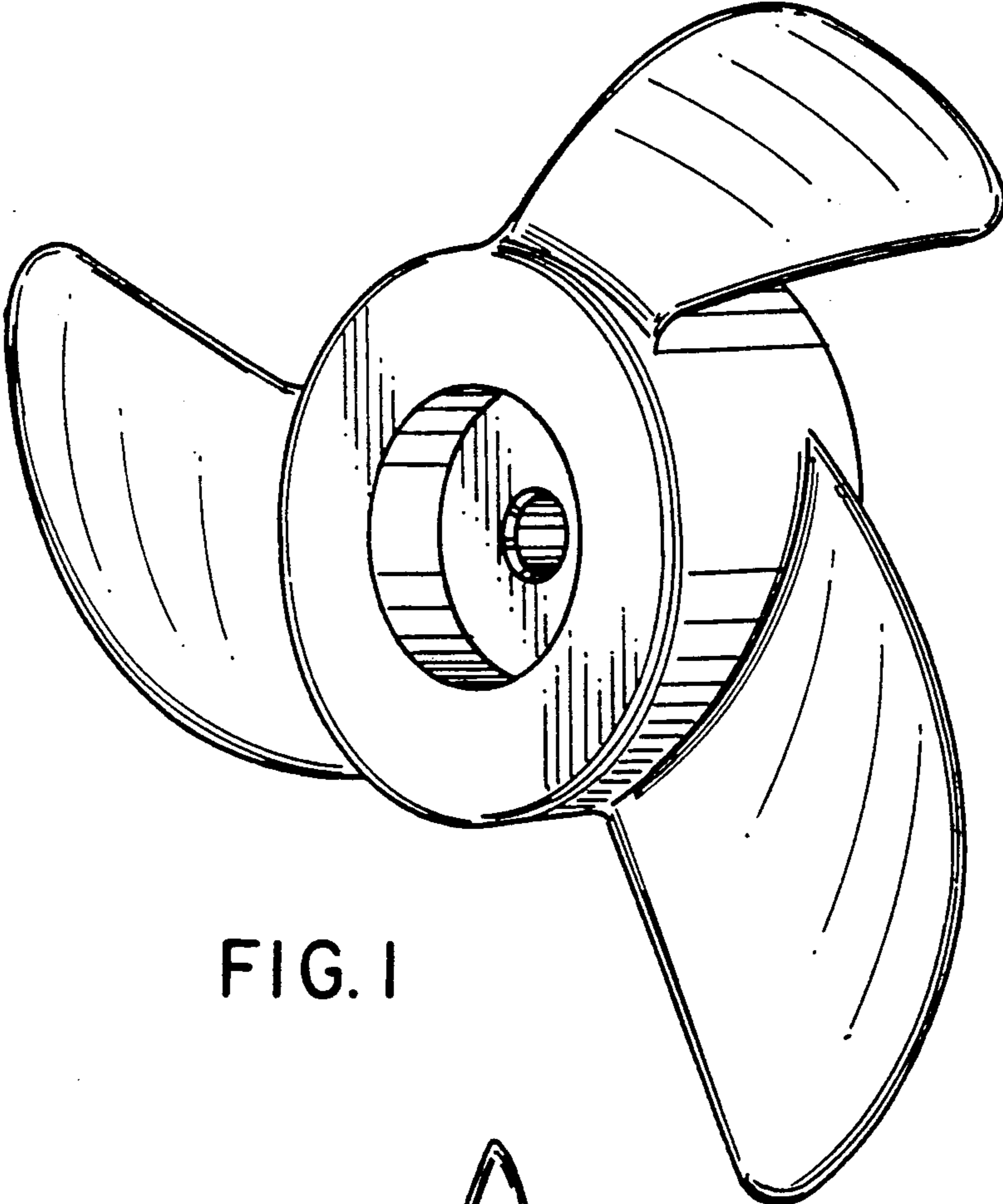


FIG. 1

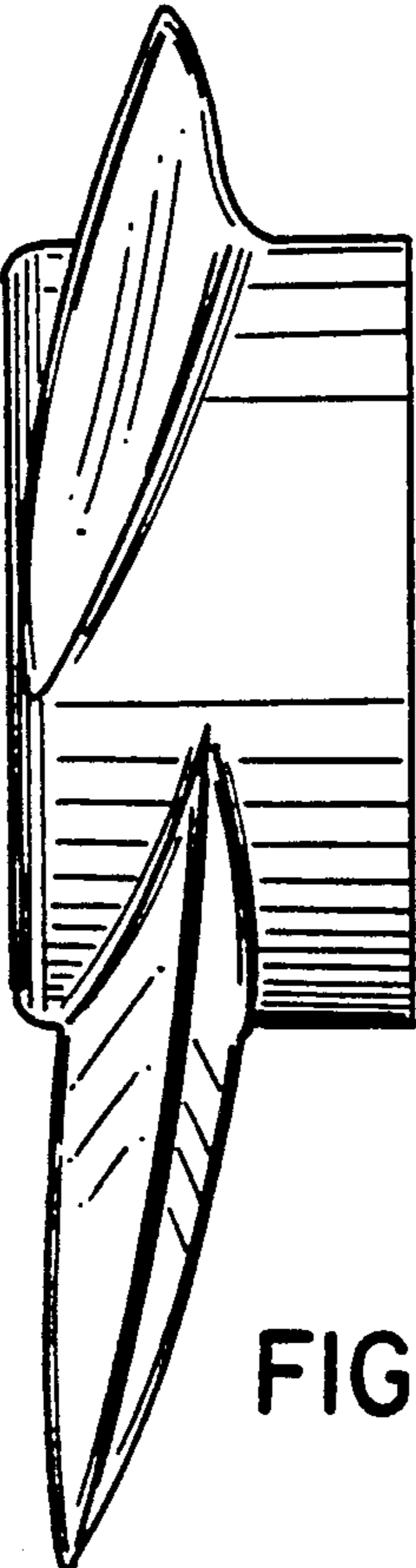


FIG. 2

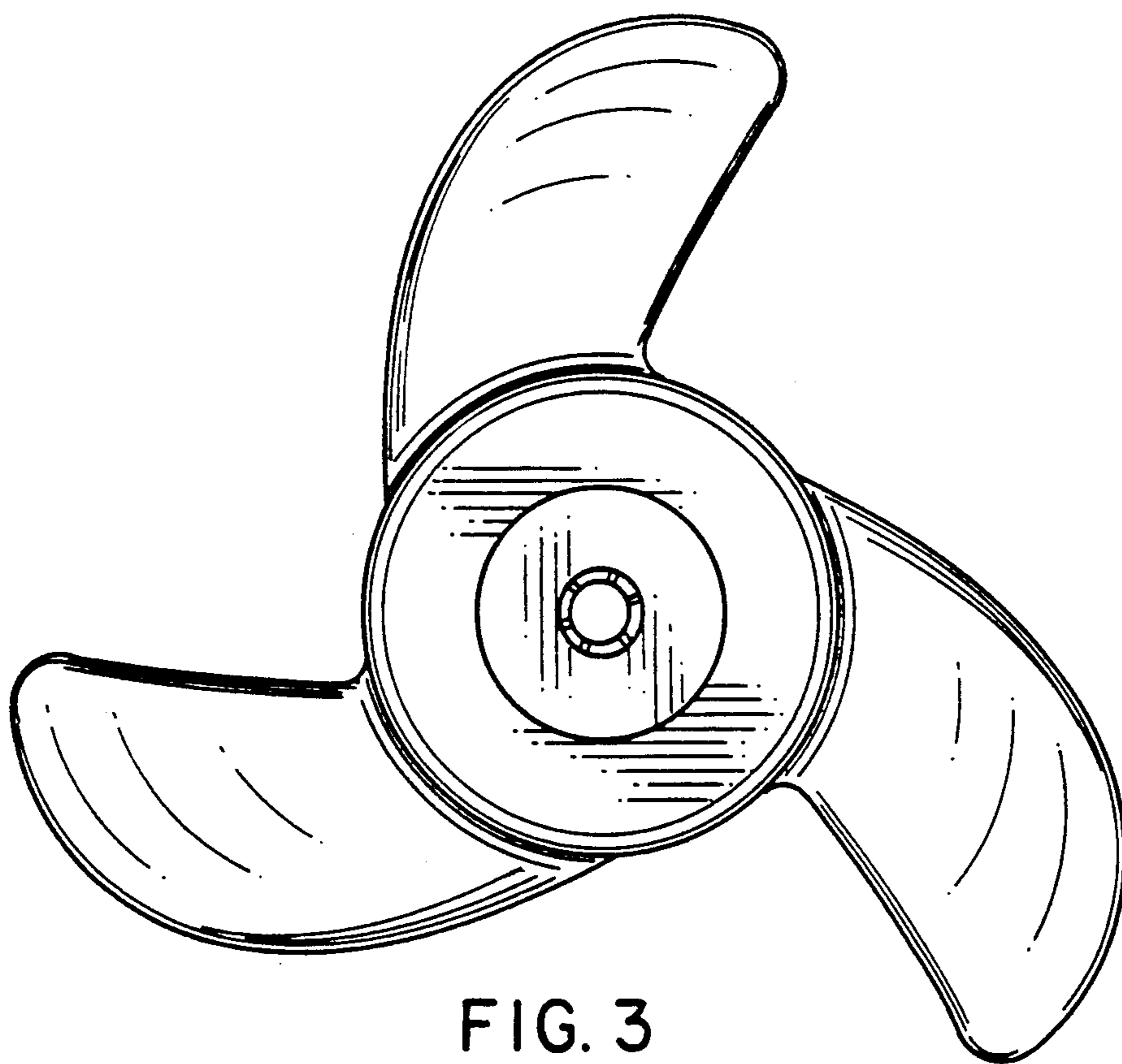


FIG. 3

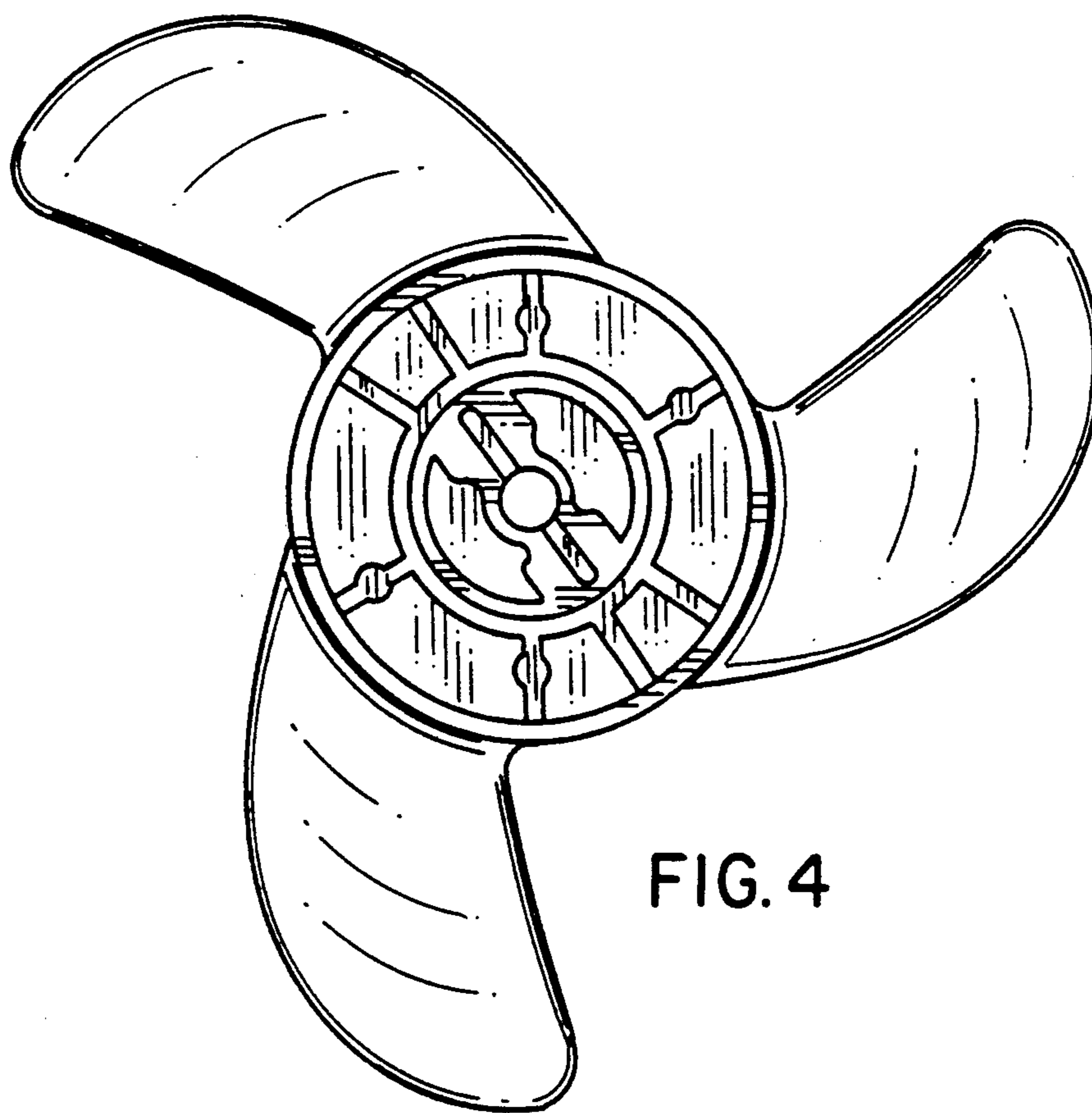


FIG. 4