



US00D324358S

United States Patent [19]

[11] Patent Number: **Des. 324,358**

Allsop et al.

[45] Date of Patent: **** Mar. 3, 1992**

[54] **VEHICLE BEAM SEAT SUPPORT**

[75] Inventors: **James D. Allsop**, Bellingham; **David E. Calapp**, Bellevue, both of Wash.

[73] Assignee: **Allsop, Inc.**, Bellingham, Wash.

[**] Term: **14 Years**

[21] Appl. No.: **334,996**

[22] Filed: **Apr. 7, 1989**

[52] U.S. Cl. **D12/119**

[58] Field of Search **D12/119; D25/119, 136; 297/196, 198; 280/202, 220, 278, 281.1; 267/131, 133; 248/608**

2,344,607	3/1944	Gosswein et al.	297/196
2,446,731	8/1948	Wheler	280/284
2,485,484	10/1949	Dean	280/277
2,497,121	2/1950	Fletcher	297/196
2,976,056	3/1961	Henry	280/277
3,459,441	8/1969	Hornsby	280/276
4,162,797	7/1979	McBride	280/275
4,421,337	12/1983	Pratt	280/277

FOREIGN PATENT DOCUMENTS

0453128	5/1913	France	297/198
0617119	11/1926	France	297/196

OTHER PUBLICATIONS

Bicycle Guide, Aug. 1988, pp. 75-78.

Primary Examiner—James M. Gandy
Assistant Examiner—Melody Brown
Attorney, Agent, or Firm—Christensen, O'Connor, Johnson & Kindness

[56] **References Cited**

U.S. PATENT DOCUMENTS

396,083	1/1889	Harris	297/196
423,471	3/1890	Easthope	280/276
457,080	8/1891	Garford	280/275
468,823	2/1892	O'Connor	280/277
505,753	9/1893	Cocken	280/270
518,338	4/1894	Whitaker	280/275
571,302	11/1896	Rome	280/202
953,697	4/1910	Kuebodeaux	280/277
1,205,828	11/1916	Whaley	297/196
1,395,974	11/1921	Redfield	297/196
1,416,942	5/1922	Brooks	297/198
1,469,136	9/1923	Ziska, Jr.	297/196
2,160,034	5/1939	Schwinn	280/278
2,244,709	6/1941	Kinzel	280/281
2,283,671	5/1942	Finlay et al.	280/284

[57] **CLAIM**

The ornamental design for vehicle beam seat support, as shown.

DESCRIPTION

FIG. 1 is a left-side elevation view of a vehicle beam seat support showing our new design; FIG. 2 is a right-side elevation view thereof; FIG. 3 is a rear elevation view thereof; FIG. 4 is a front elevation view thereof; FIG. 5 is a top plan view thereof; and FIG. 6 is a bottom plan view thereof.

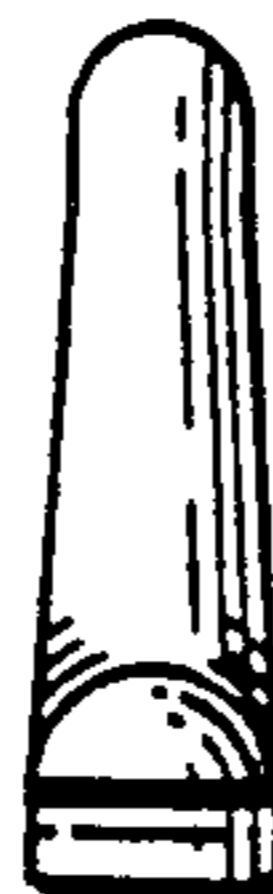
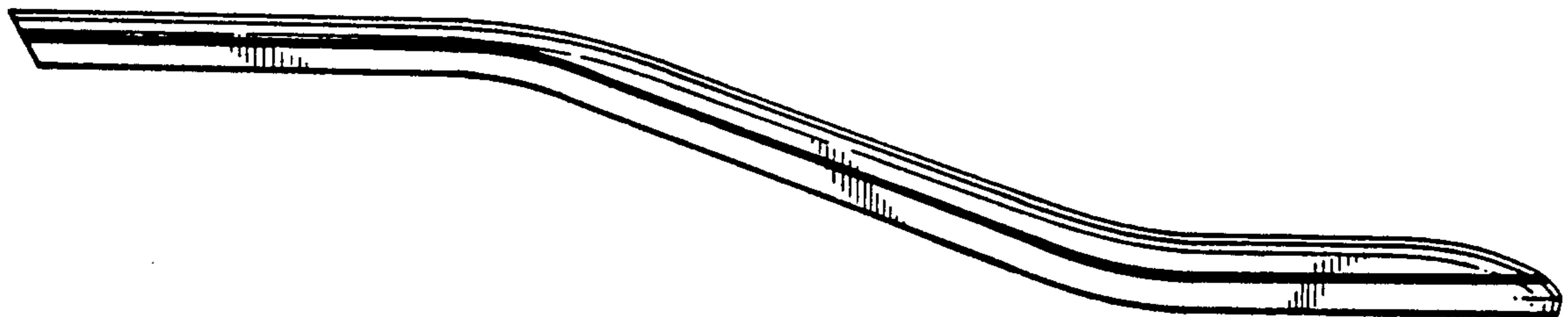


FIG. 1

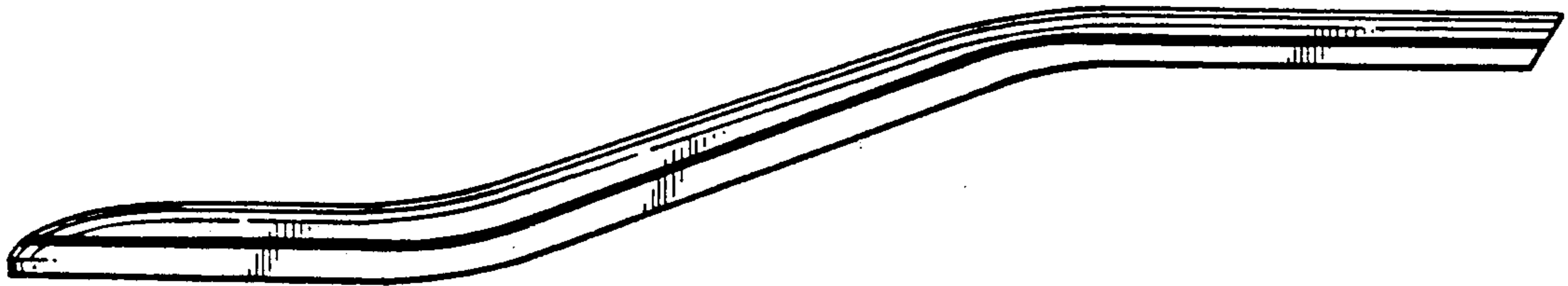


FIG. 2

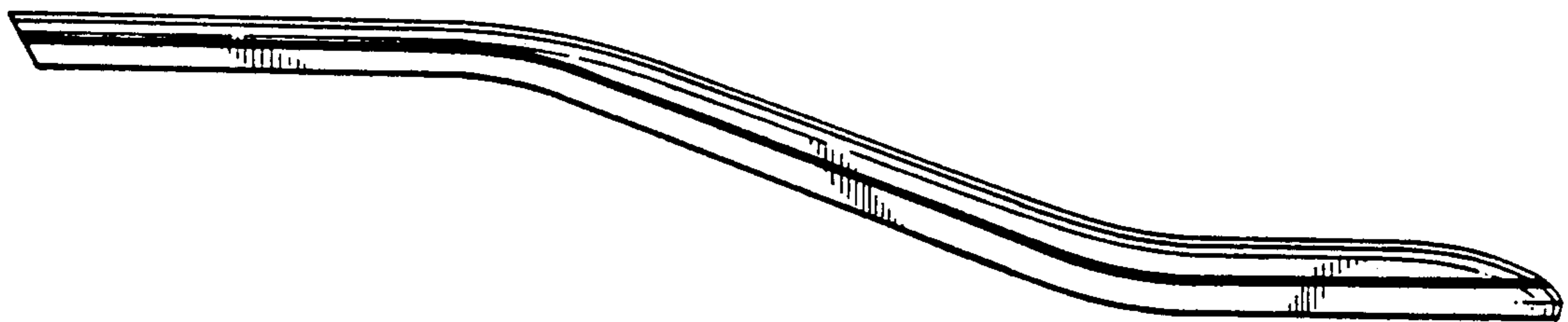


FIG. 3



FIG. 4

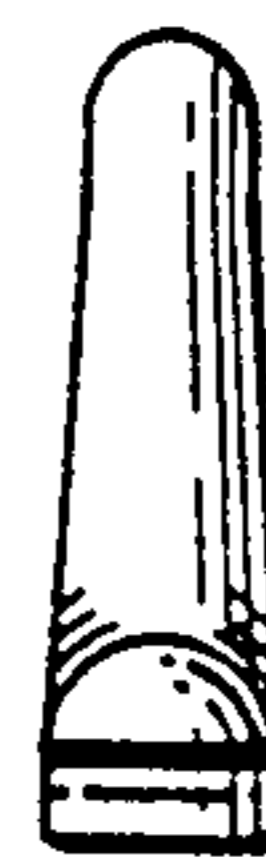


FIG. 5

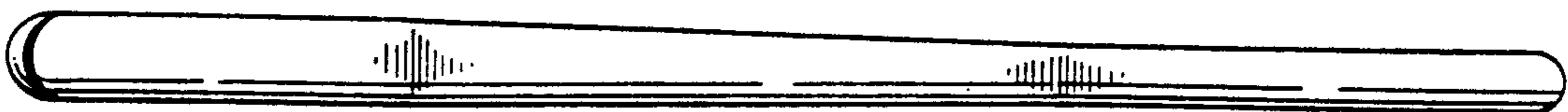


FIG. 6

