



US00D324355S

# United States Patent [19]

Takemura

[11] Patent Number: **Des. 324,355**

[45] Date of Patent: **\*\* Mar. 3, 1992**

- [54] **SLIDER FOR SLIDE FASTENER**
- [75] Inventor: **Chiharu Takemura, Kurobe, Japan**
- [73] Assignee: **Yoshida Kogyo K.K., Japan**
- [\*\*] Term: **14 Years**
- [21] Appl. No.: **545,968**
- [22] Filed: **Jun. 29, 1990**
- [52] U.S. Cl. .... **D11/221; D11/200**
- [58] Field of Search ..... **D11/200, 201, 221; 24/381, 385, 415-417, 427-431; 264/252**

- [56] **References Cited**
- U.S. PATENT DOCUMENTS**
- D. 169,138 3/1953 Gorth ..... D11/221
- 1,562,253 11/1925 Prentice ..... 24/430
- 2,018,948 10/1935 Corner ..... 24/429
- 2,066,061 12/1936 Sundback ..... 24/429
- 2,671,258 3/1954 Lackritz ..... 24/416

*Primary Examiner*—A. Hugo Word  
*Assistant Examiner*—R. Seifert

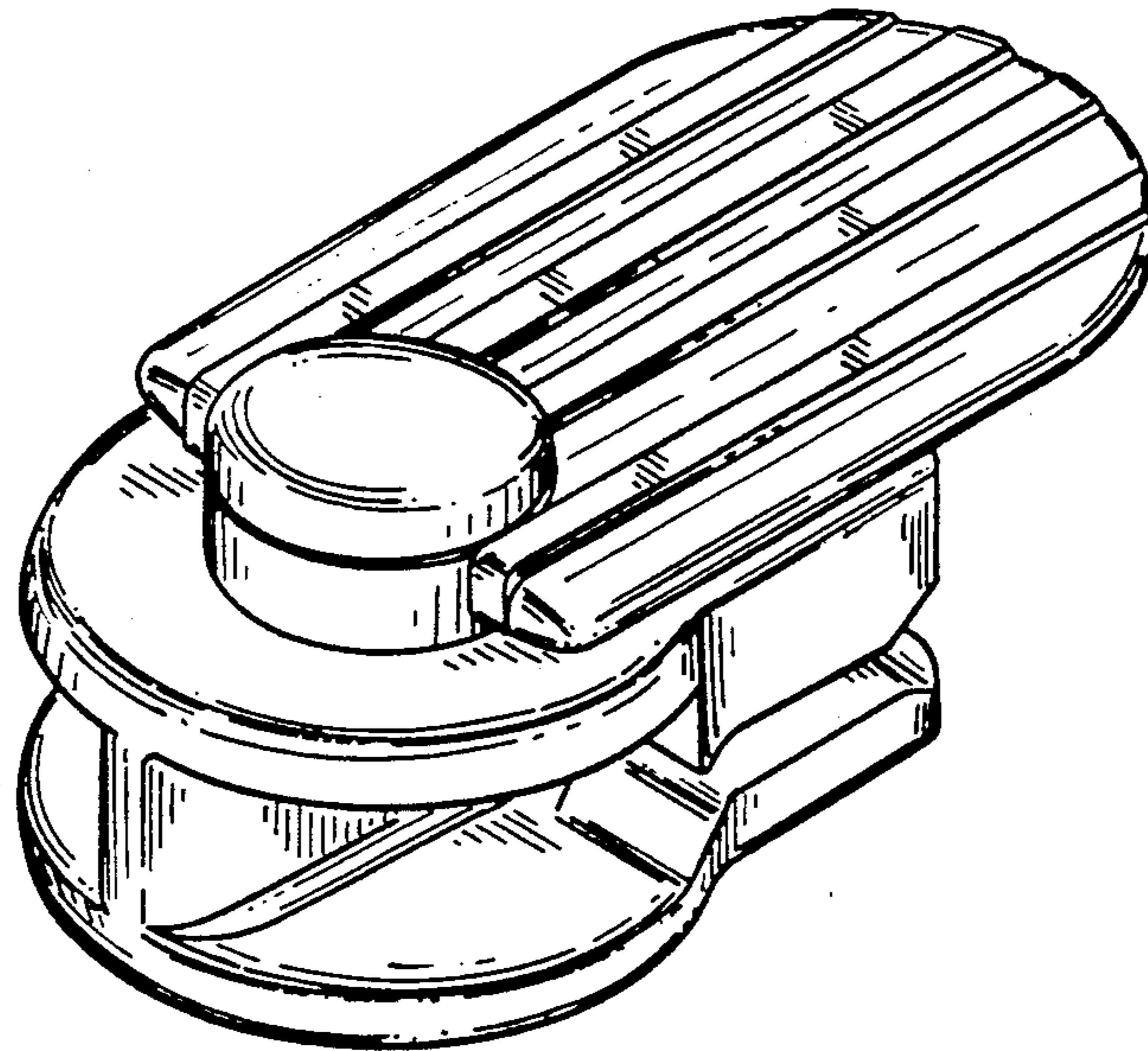
*Attorney, Agent, or Firm*—Hill, Van Santen, Steadman & Simpson

[57] **CLAIM**

The ornamental design for a slider for slide fastener, as shown and described.

**DESCRIPTION**

FIG. 1 is a front elevational view of a slider for slide fastener showing my new design;  
 FIG. 2 is a rear elevational view;  
 FIG. 3 is a top plan view;  
 FIG. 4 is a bottom plan view;  
 FIG. 5 is a right side elevational view, the opposite side being a mirror image;  
 FIG. 6 is a sectional view taken along the lines 6—6 of FIG. 1;  
 FIG. 7 is a sectional view taken along the lines 7—7 of FIG. 1;  
 FIG. 8 is a sectional view taken along the lines 9—9 of FIG. 1;  
 FIG. 9 is a front elevational view shown with pull tab in alternate position; and  
 FIG. 10 is a perspective view.



6 FIG. 1

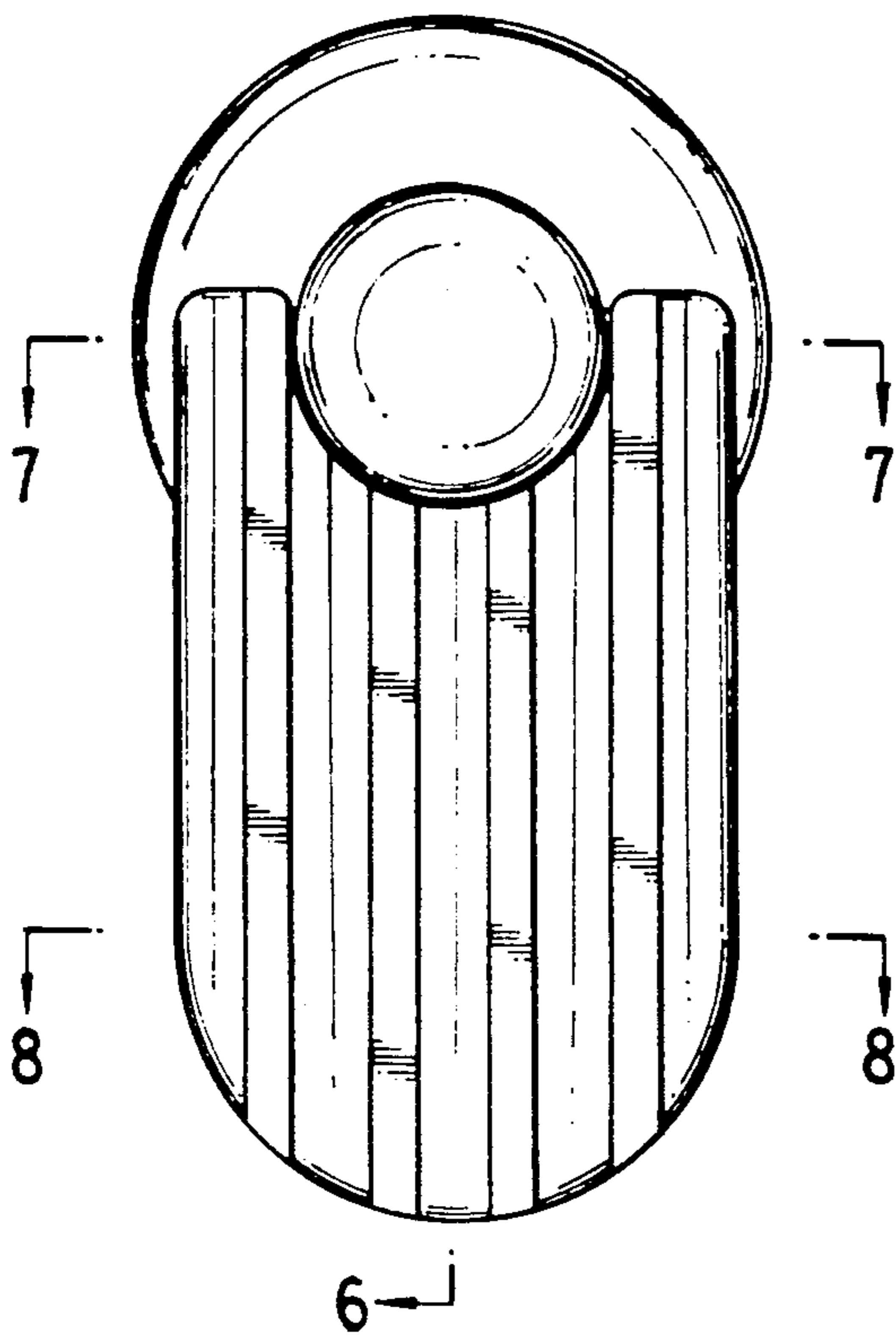


FIG. 2

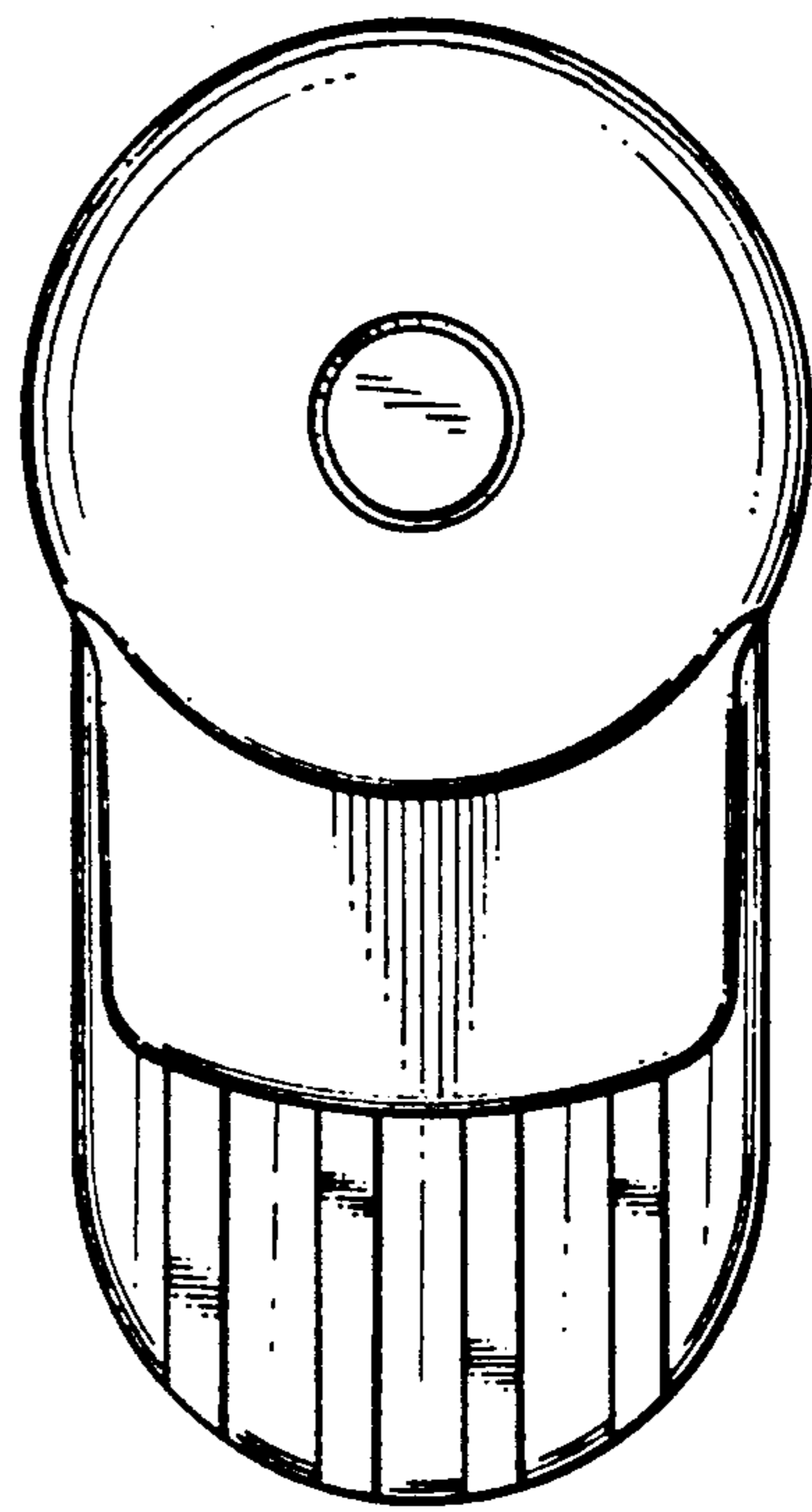


FIG. 3

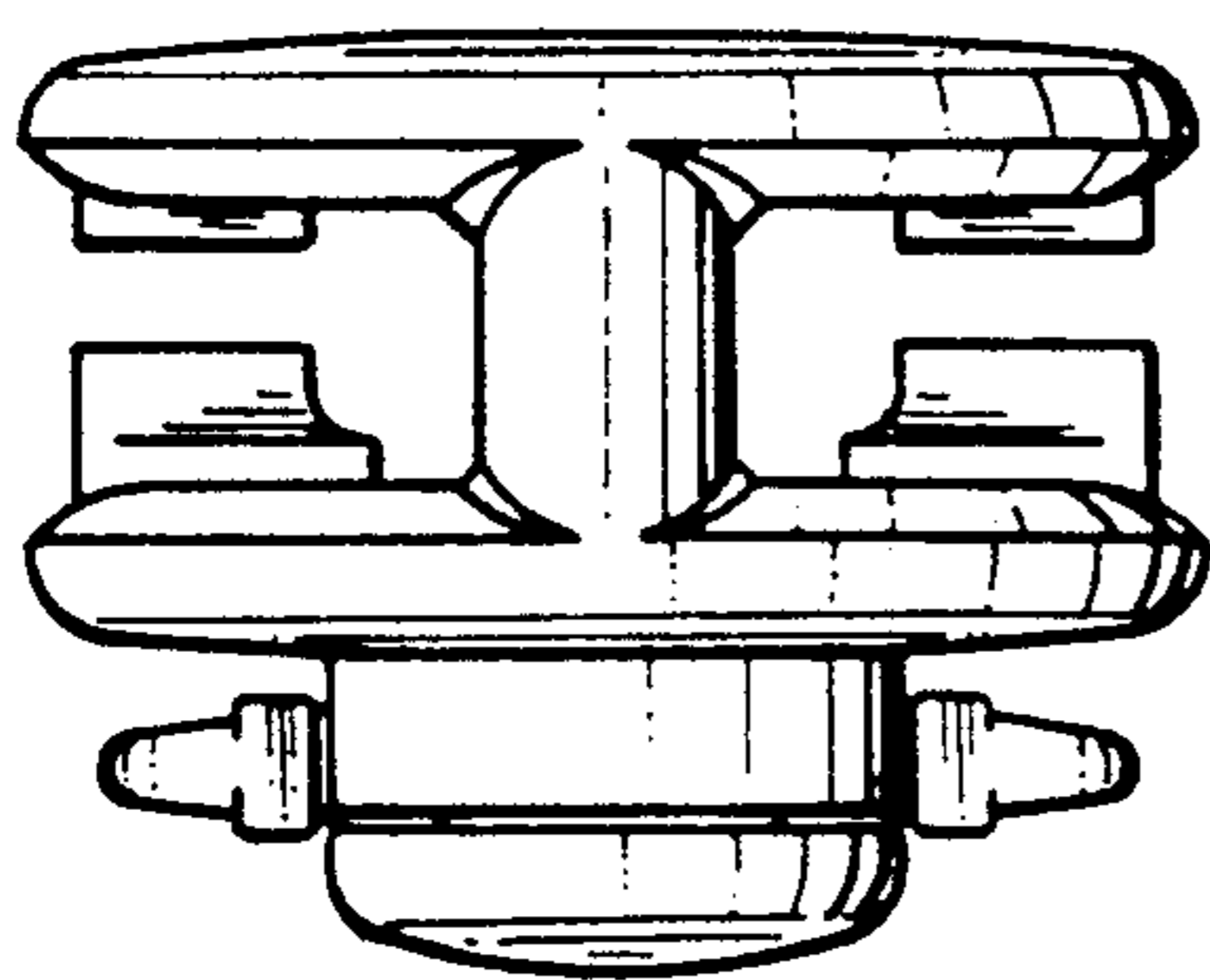


FIG. 4

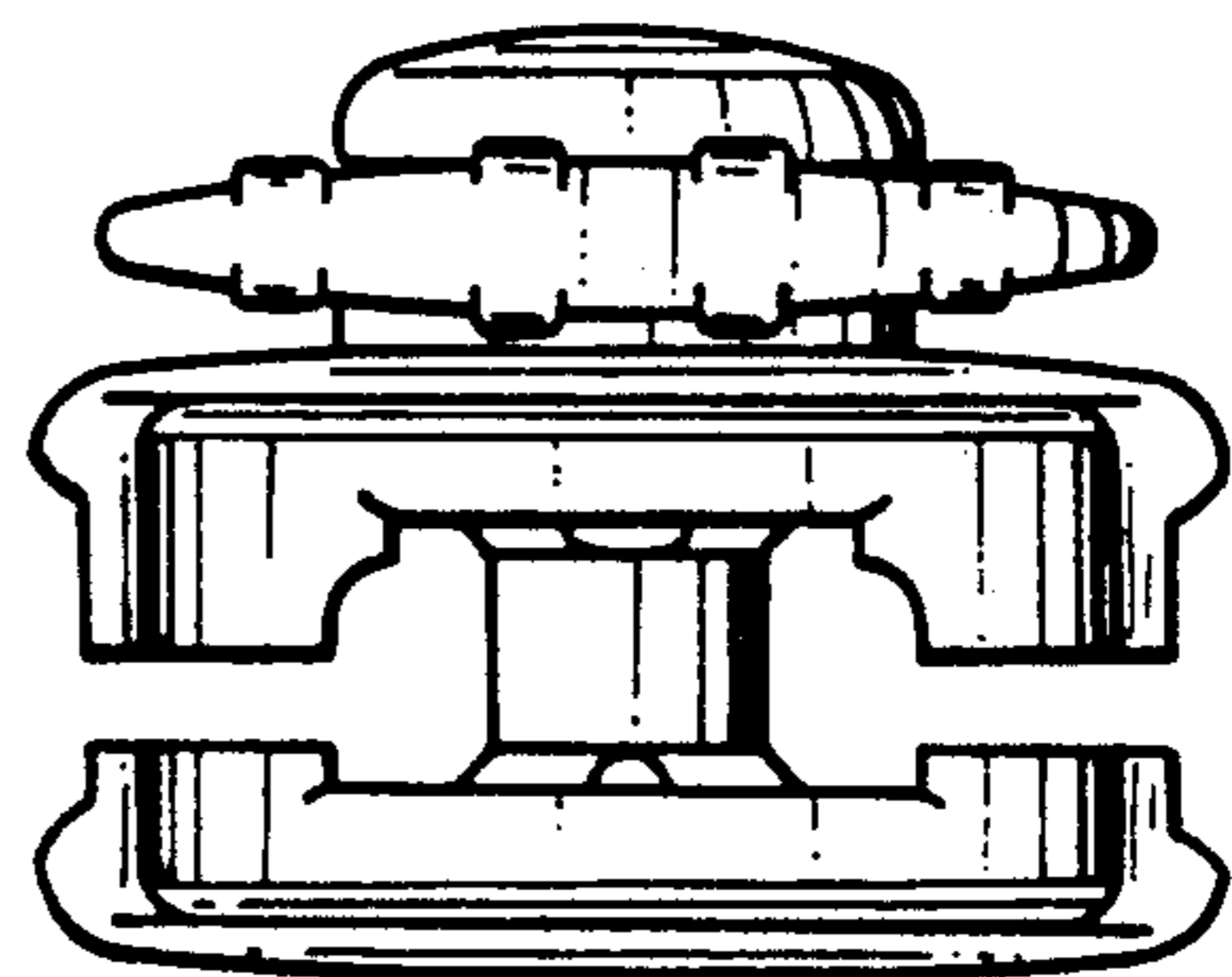


FIG. 5

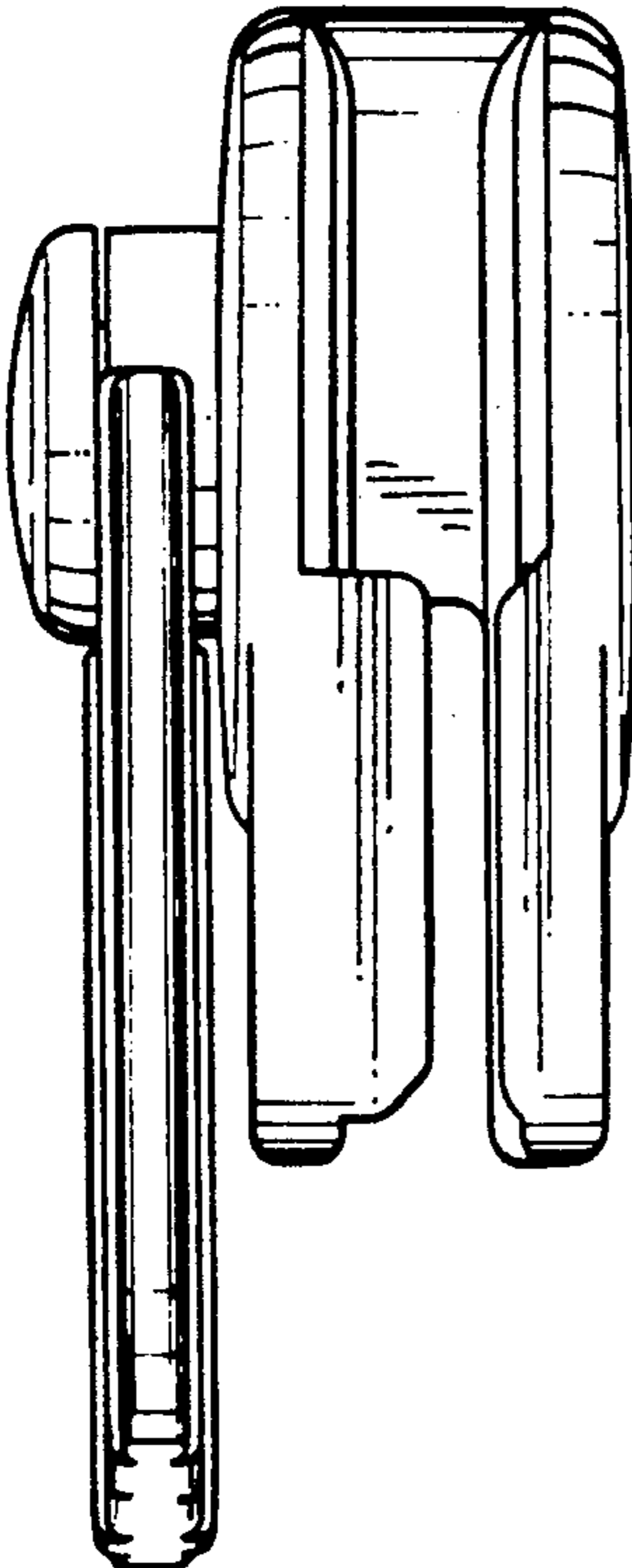


FIG. 6

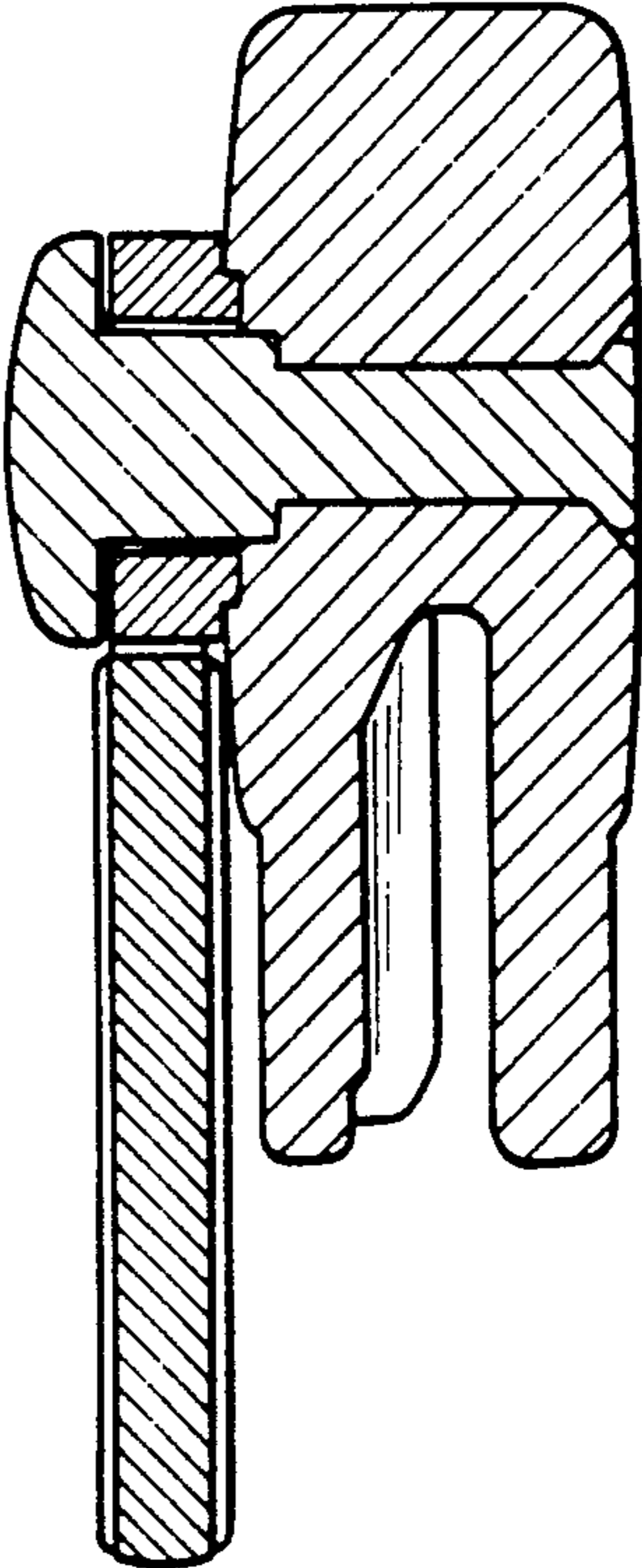


FIG. 7

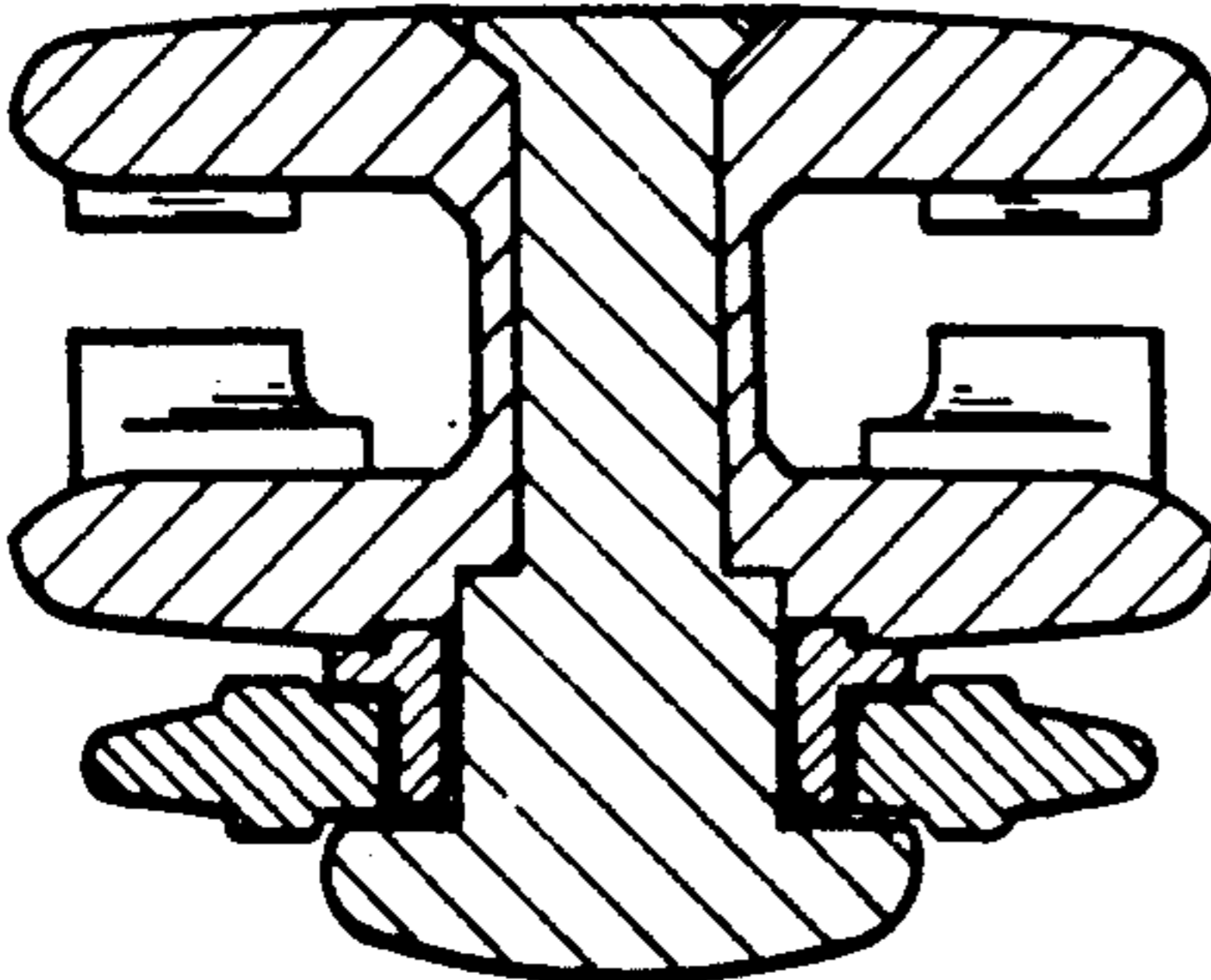


FIG. 8



FIG. 9

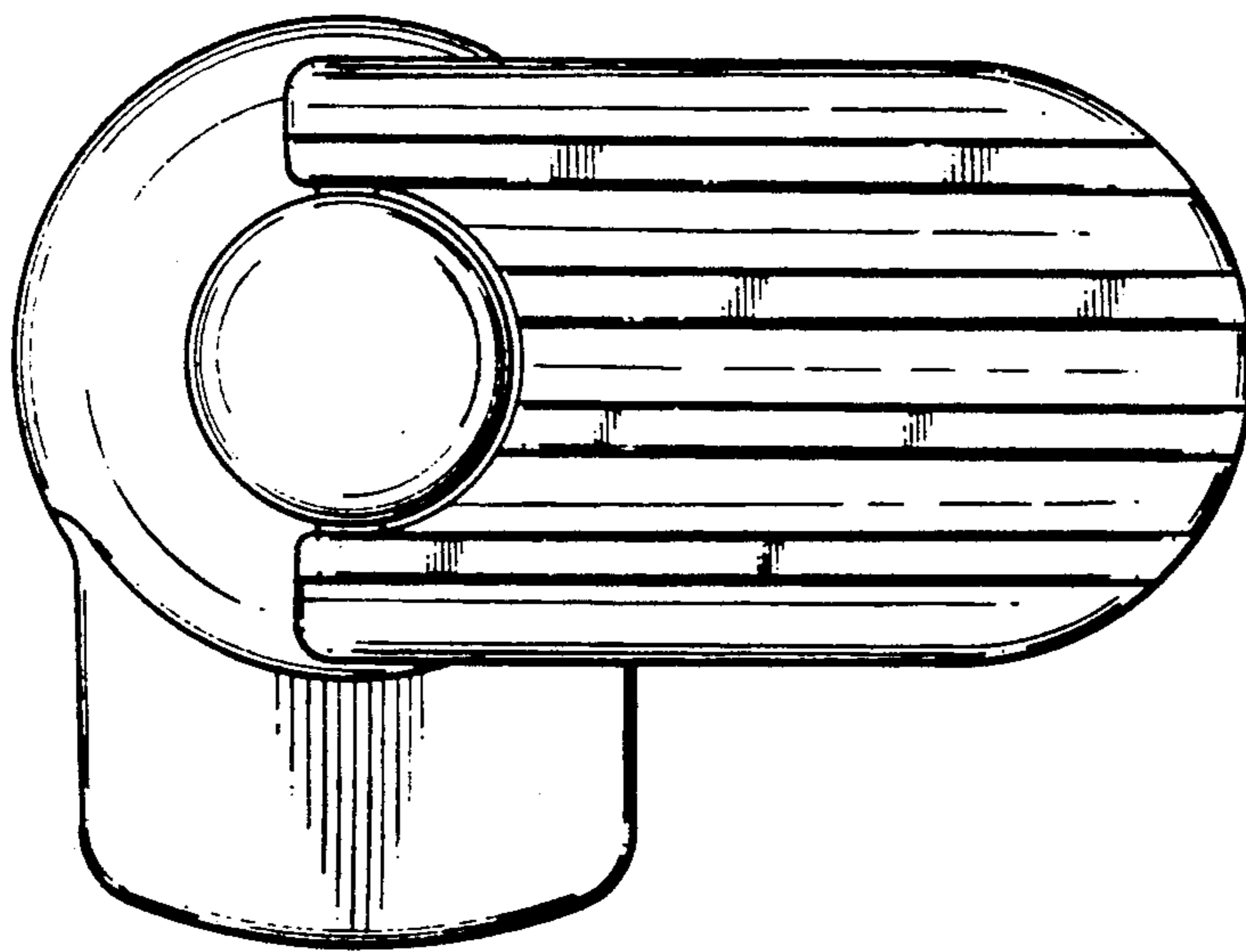


FIG. 10

