



US00D324351S

# United States Patent [19]

[11] Patent Number: **Des. 324,351**

Shing

[45] Date of Patent: **\*\* Mar. 3, 1992**

[54] FLOOR MOBILE

D. 268,912 5/1983 Gushea ..... D11/141

[75] Inventor: **Kuk C. Shing, Kowloon, Hong Kong**

D. 300,437 3/1989 Capper et al. .... D21/63

3,699,704 10/1972 Hakim ..... D21/63 X

[73] Assignee: **Ilco International Limited, Kowloon, Hong Kong**

*Primary Examiner*—Bernard Ansher  
*Assistant Examiner*—Dominic Simone

[\*\*] Term: **14 Years**

[57] **CLAIM**

[21] Appl. No.: **500,261**

The ornamental design for a floor mobile, as shown and described.

[22] Filed: **Mar. 27, 1990**

[52] U.S. Cl. .... **D11/141**

[58] Field of Search ..... **D11/141, 131; D21/63; 446/215, 217, 227-229**

### DESCRIPTION

FIG. 1 is a perspective view of a floor mobile showing my new design;

FIG. 2 is a top plan view thereof;

FIG. 3 is a front elevational view thereof;

FIG. 4 is a rear elevational view thereof;

FIG. 5 is a right side elevational view thereof, the left side elevational view being a mirror image thereof.

The bottom is substantially flat and not ornamental.

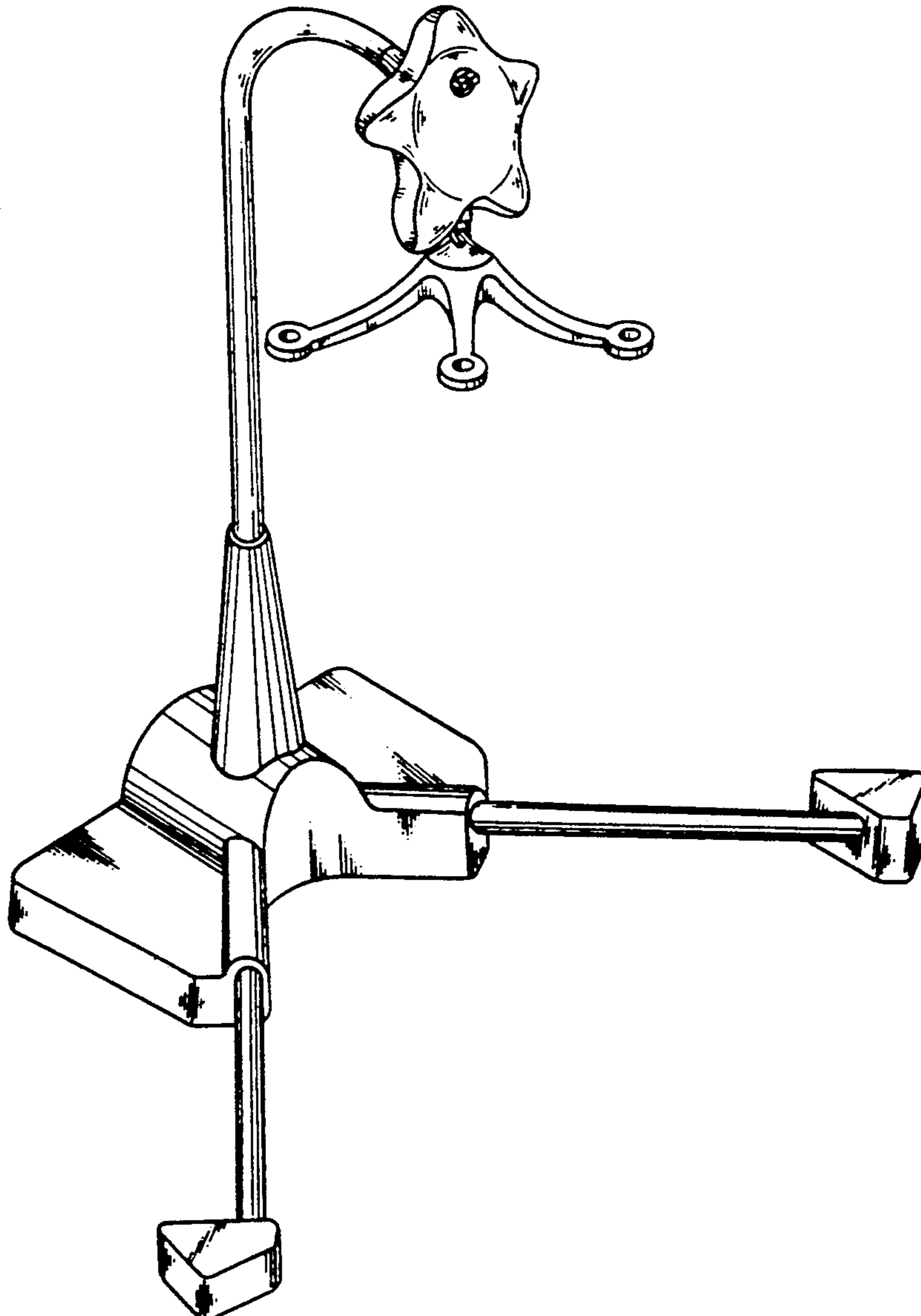
### [56] References Cited

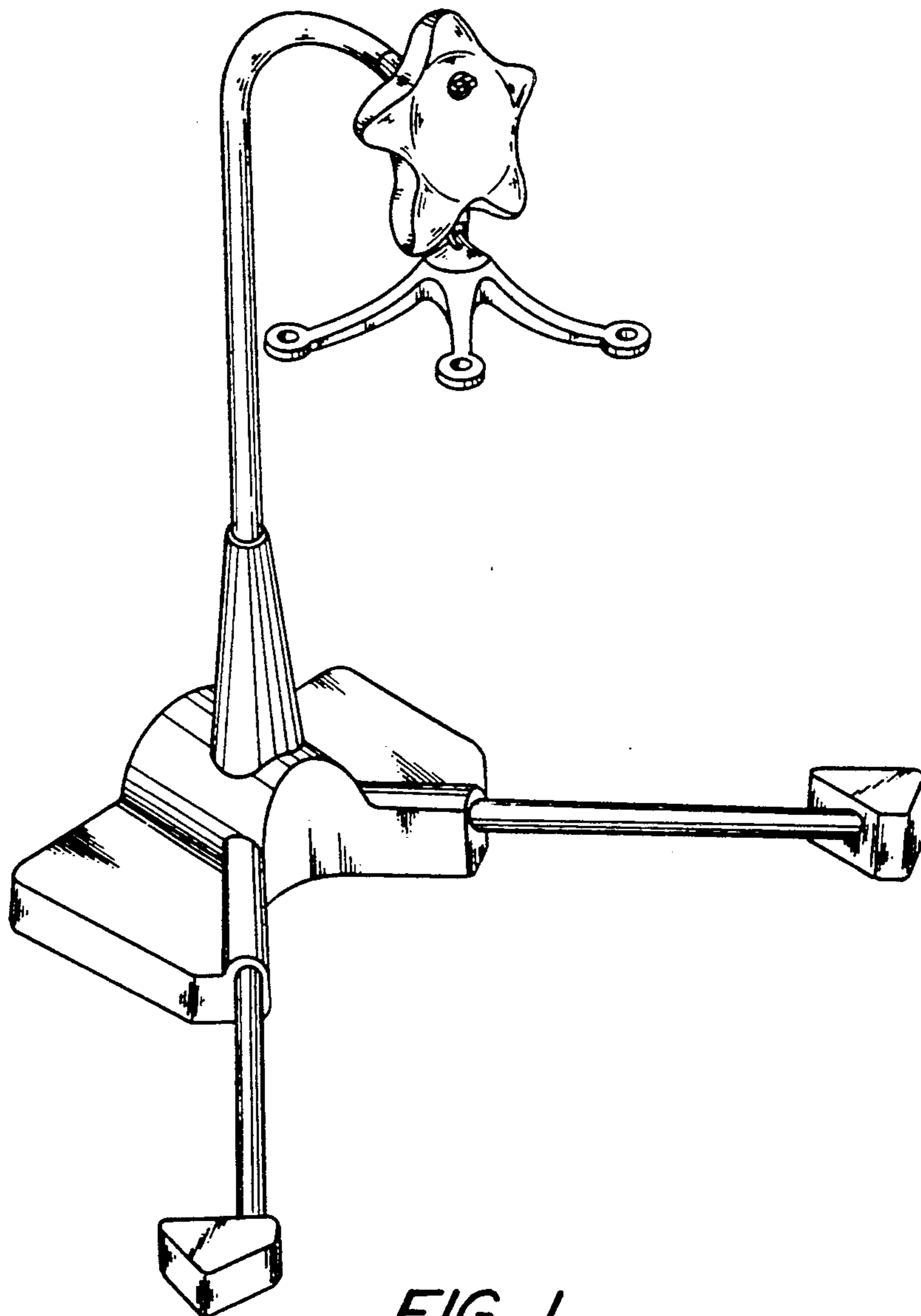
#### U.S. PATENT DOCUMENTS

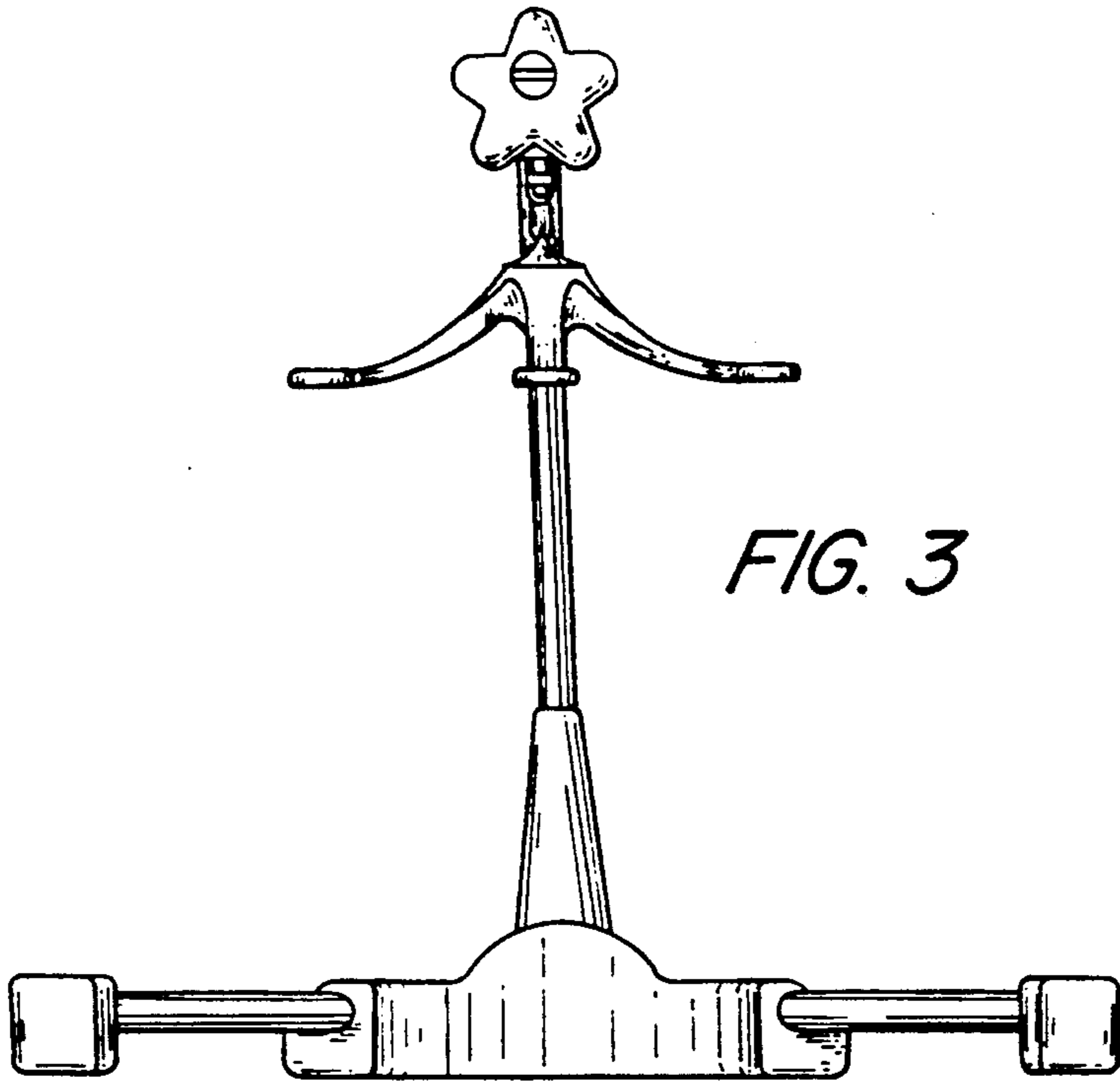
D. 180,143 4/1957 Garrett ..... D11/141

D. 235,024 4/1975 Bloom ..... D21/63 X

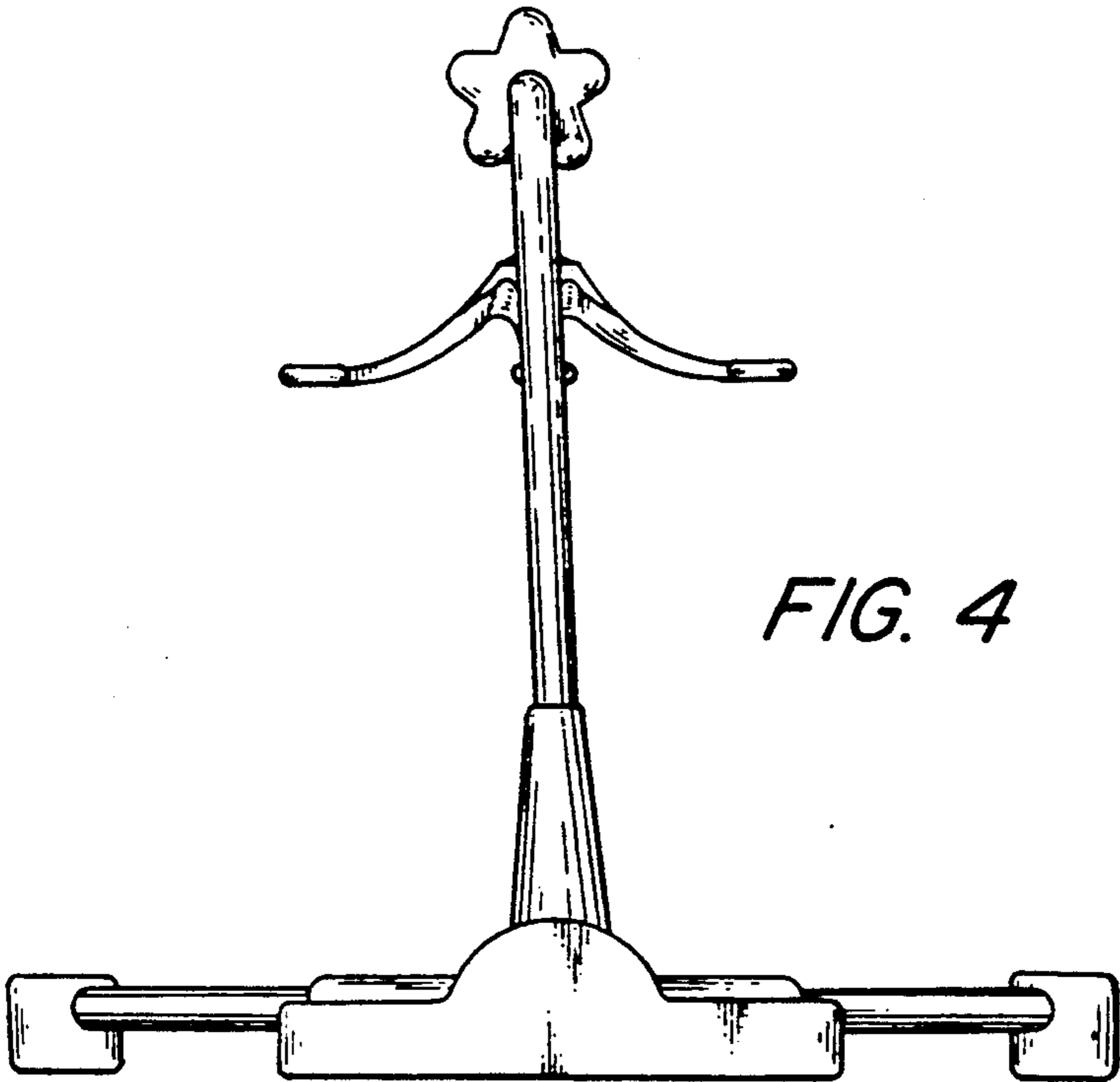
D. 263,065 2/1982 Matsui ..... D11/141 X







*FIG. 3*



*FIG. 4*

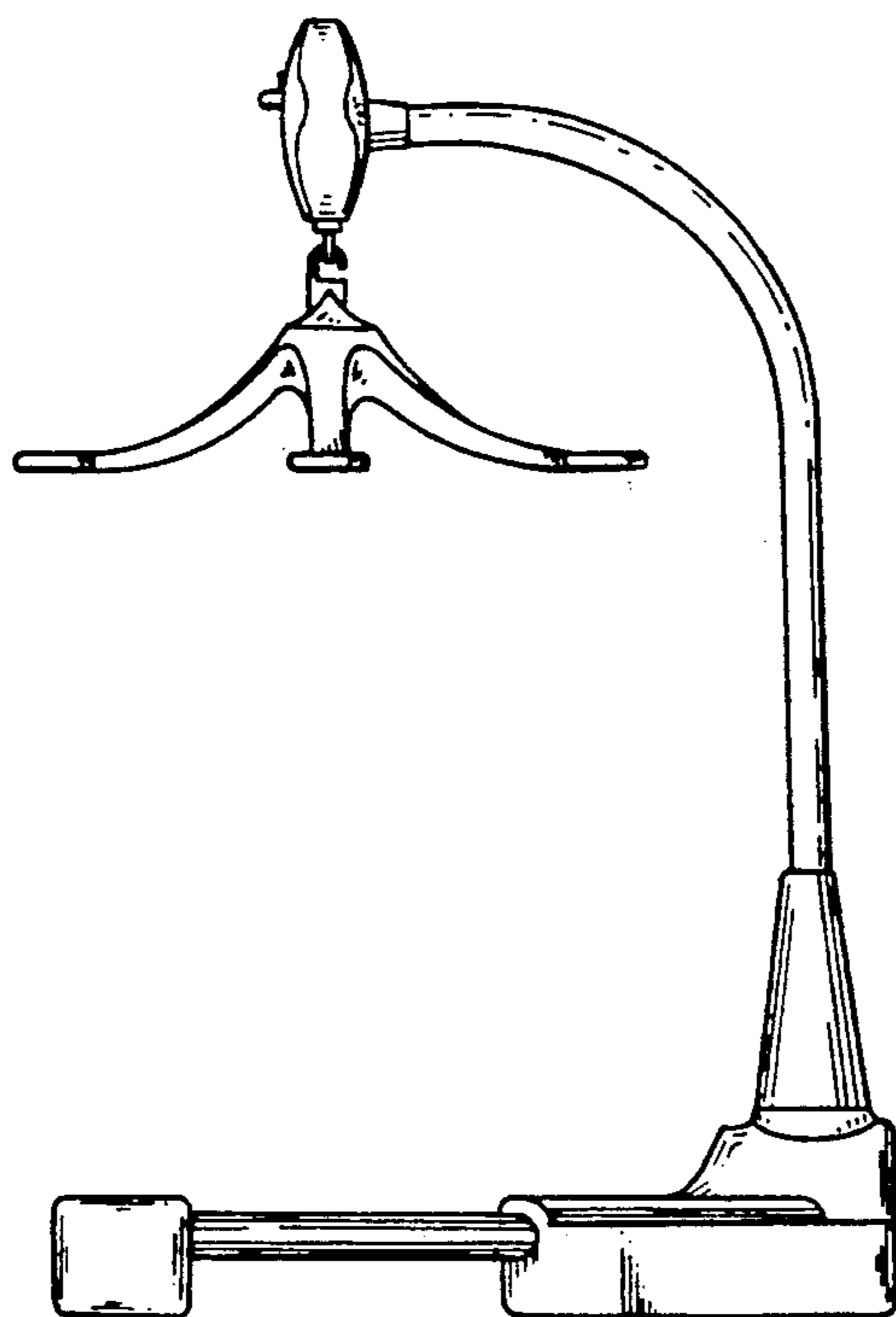


FIG. 5

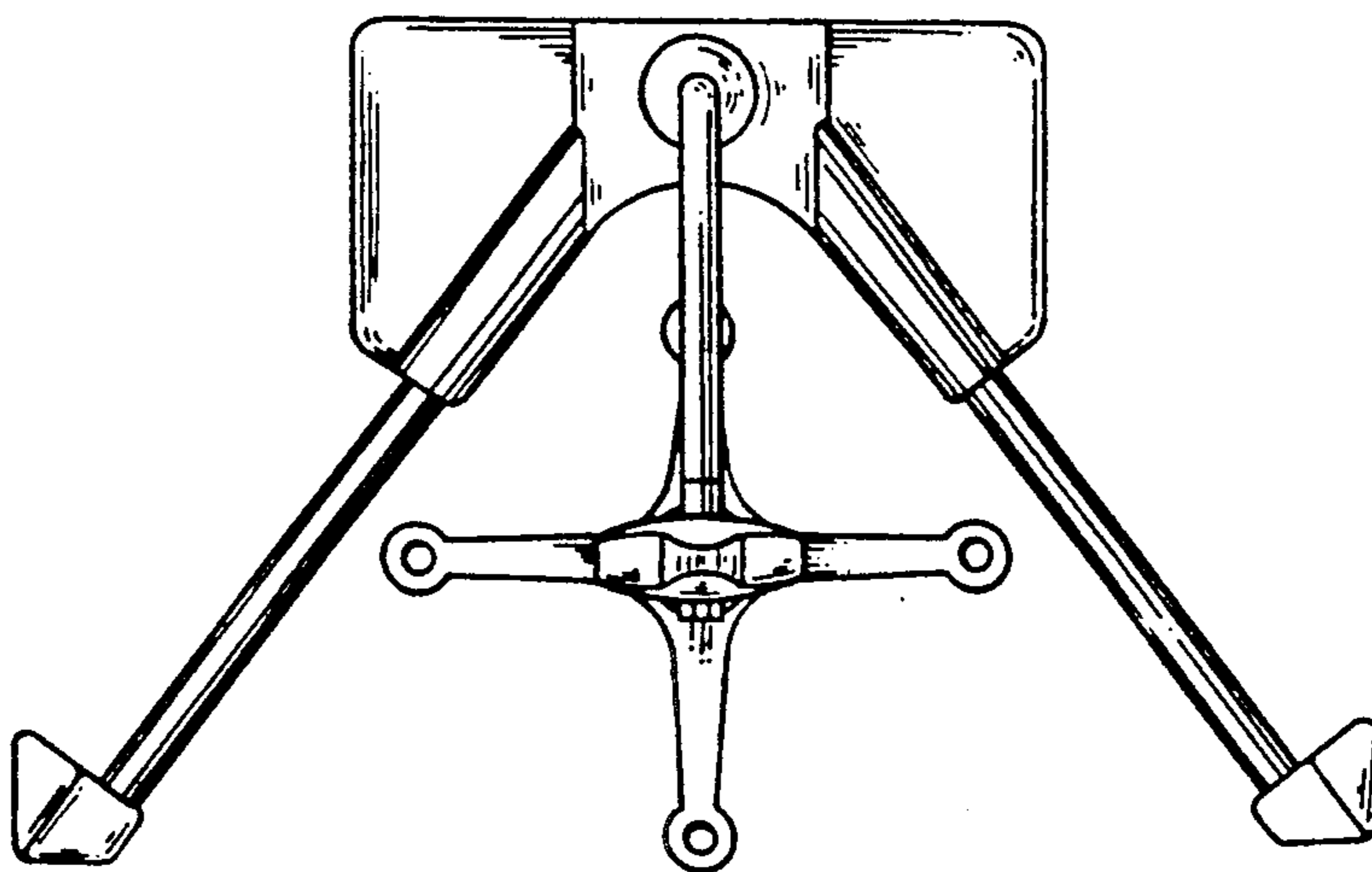


FIG. 2

UNITED STATES PATENT AND TRADEMARK OFFICE  
**CERTIFICATE OF CORRECTION**

PATENT NO. : Des. 324,351

DATED : March 3, 1992

INVENTOR(S) : Cho Shing KUK

It is certified that error appears in the above-identified patent and that said Letters Patent is hereby corrected as shown below:

ON TITLE PAGE: Item [19] , change the name of the patentee  
from "Shing" to

-- Kuk --

In the heading of the patent, under the category  
"[75] Inventor:" change "Kuk C. Shing" to

-- Cho Shing Kuk --

**Signed and Sealed this  
Second Day of March, 1993**

*Attest:*

STEPHEN G. KUNIN

*Attesting Officer*

*Acting Commissioner of Patents and Trademarks*