



US00D324346S

# United States Patent [19]

[11] Patent Number: **Des. 324,346**

**Ogasawara**

[45] Date of Patent: **\*\* Mar. 3, 1992**

[54] MEASURING TAPE CASE

[75] Inventor: **Takeo Ogasawara, Tokyo, Japan**

[73] Assignee: **Yamayo Measuring Tools Co., Ltd., Tokyo, Japan**

[\*\*] Term: **14 Years**

[21] Appl. No.: **444,107**

[22] Filed: **Nov. 30, 1989**

[52] U.S. Cl. .... **D10/72**

[58] Field of Search ..... **D10/70, 72; 33/760, 33/761, 762, 763, 764, 765, 766, 767, 768, 769, 770**

3,806,059	4/1974	Quenot	.....	242/84.8
3,830,443	8/1974	Quenot	.....	242/96 X
4,189,107	2/1980	Quenot et al.	.....	33/761 X
4,251,038	2/1981	Gename	.....	242/96 X

### FOREIGN PATENT DOCUMENTS

1507297	12/1967	France	.....	33/760
8300215	1/1983	Japan	.....	33/755

*Primary Examiner*—Bruce W. Dunkins  
*Assistant Examiner*—Antoine D. Davis

### [57] CLAIM

The ornamental design for a measuring tape case, as shown and described.

### DESCRIPTION

FIG. 1 is a top plan front right end perspective view of a measuring tape case measure showing my new design; FIG. 2 is a top plan view; FIG. 3 is a bottom plan view; FIG. 4 is an inverted rear elevational view; FIG. 5 is a front elevational view; FIG. 6 is an inverted left side elevational view; and FIG. 7 is a right side elevational view thereof.

### [56] References Cited

#### U.S. PATENT DOCUMENTS

D. 203,410	1/1966	Quenot	.....	D10/72
D. 310,043	8/1990	Kang	.....	D10/72
D. 311,697	10/1990	Kang	.....	D10/72
3,289,306	12/1966	Tobb	.....	33/760
3,347,487	10/1967	Sellen et al.	.....	242/84.8
3,627,222	12/1971	Quenot	.....	242/84.8
3,763,569	10/1973	Merlat	.....	33/766

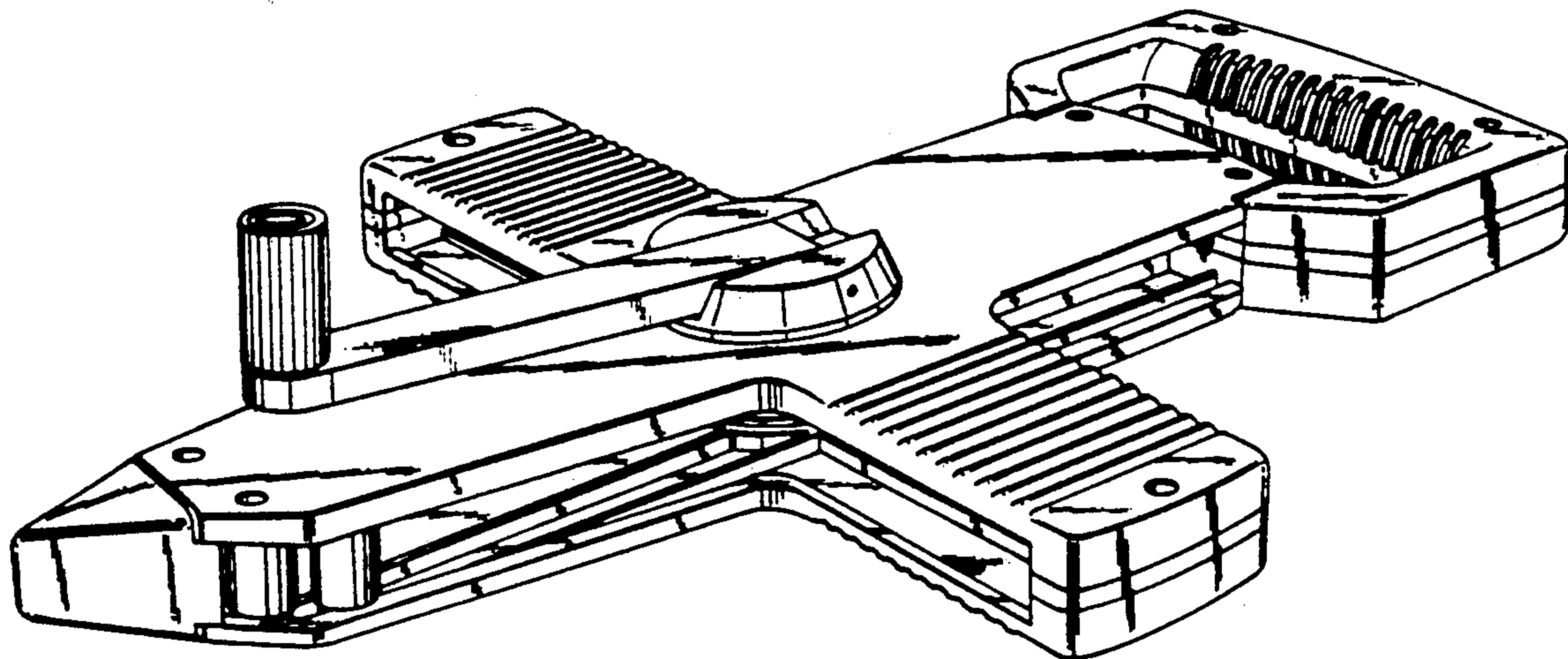


FIG. 1

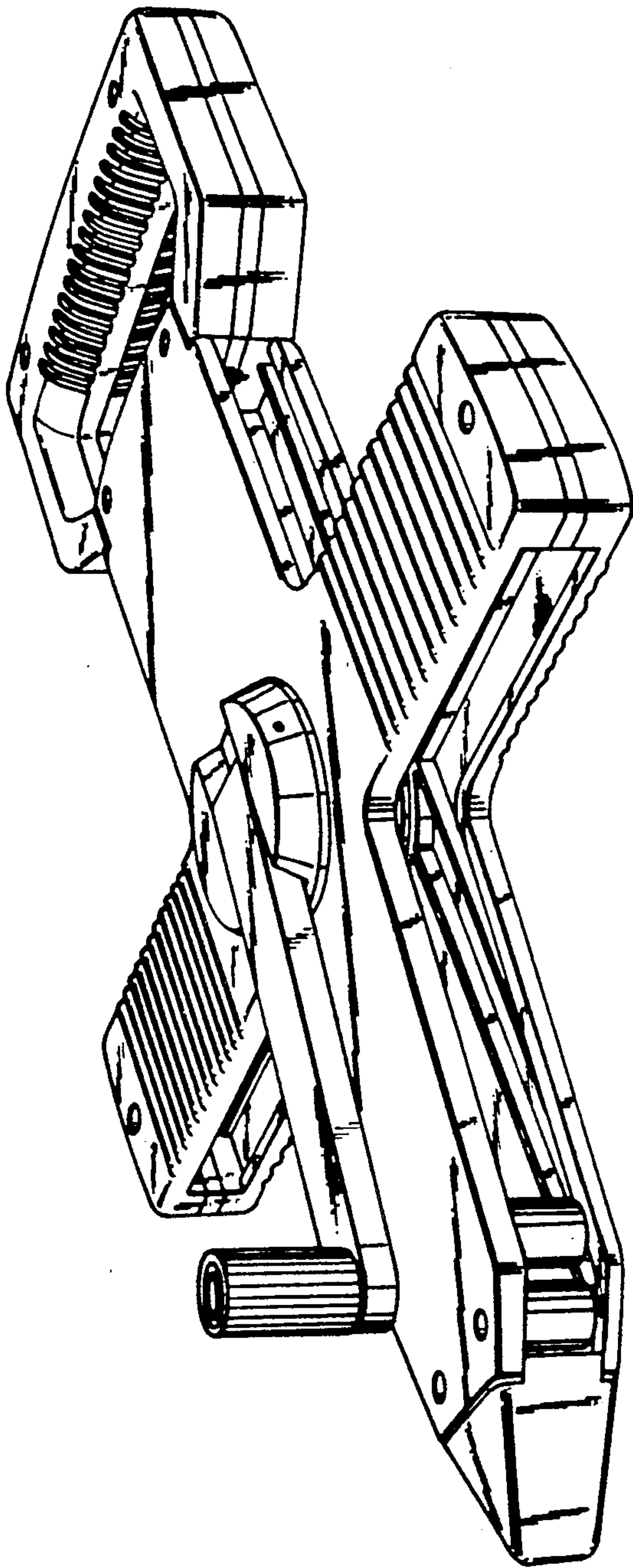


FIG. 2

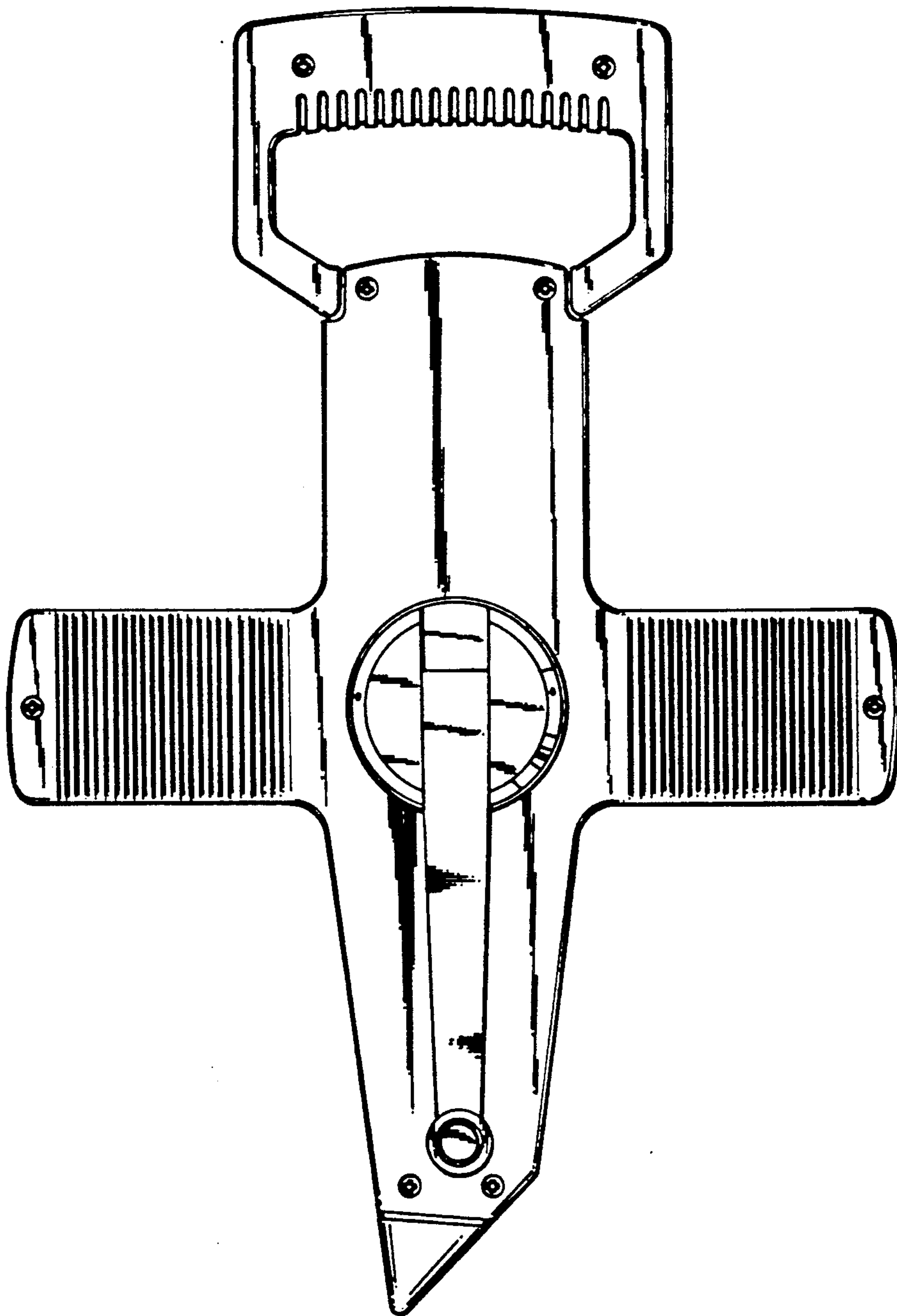


FIG. 3

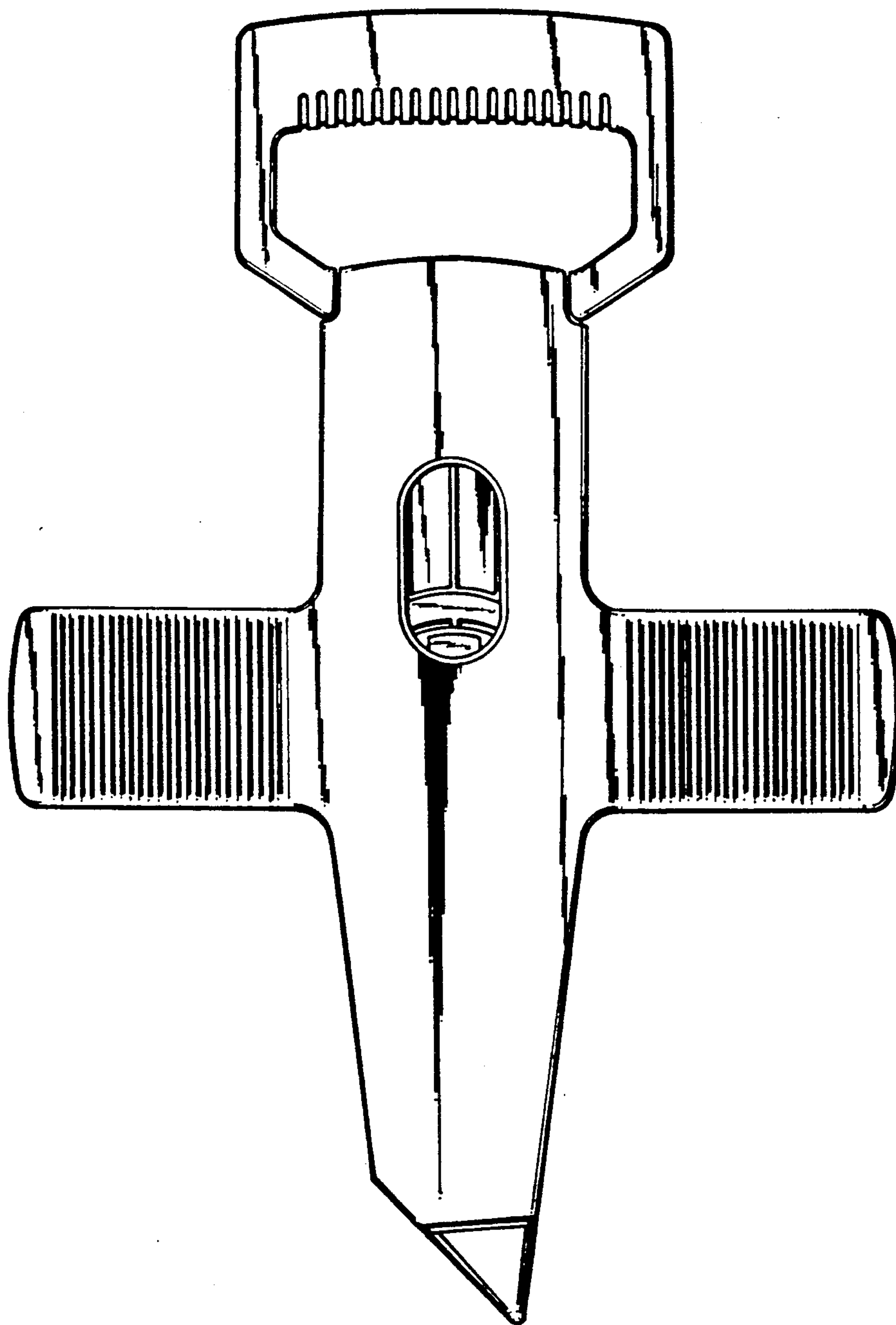


FIG. 4

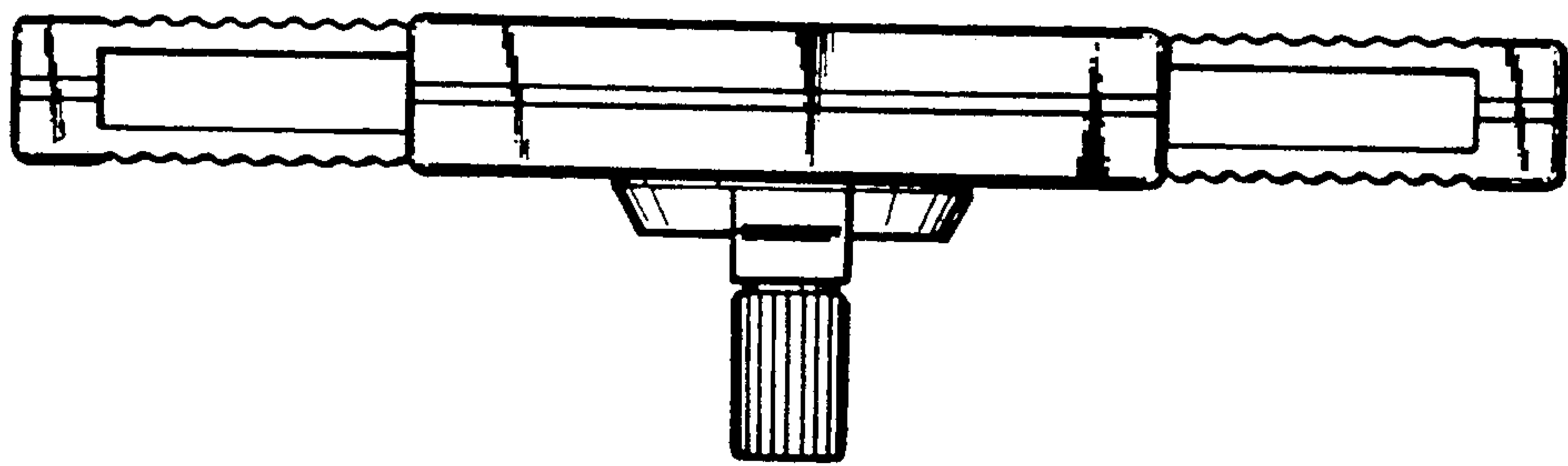


FIG. 5

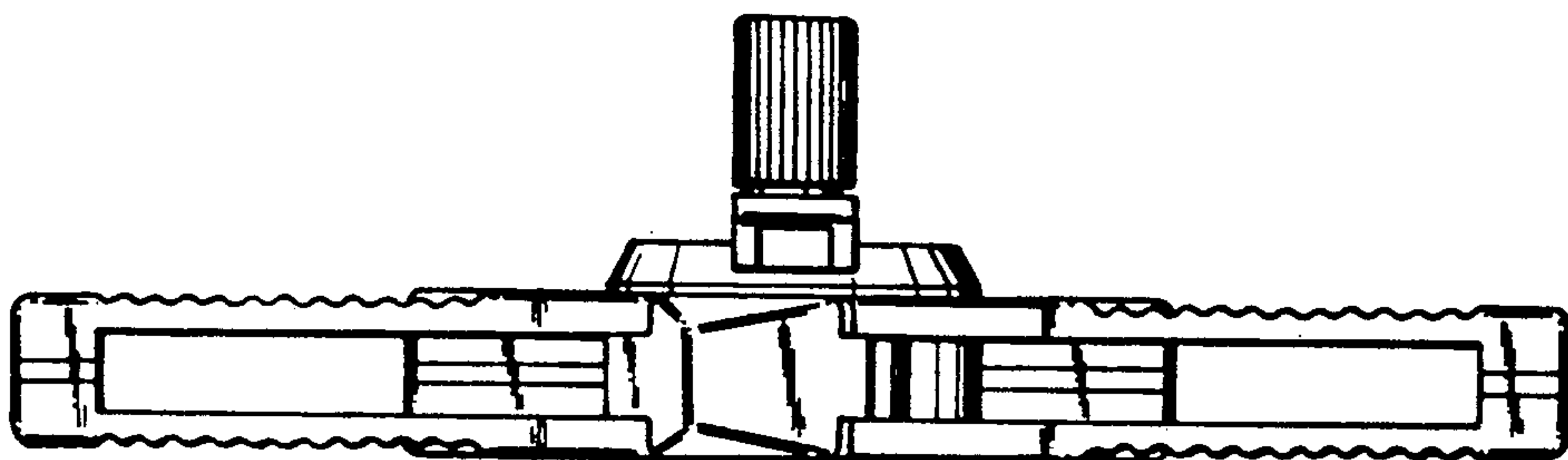


FIG. 6

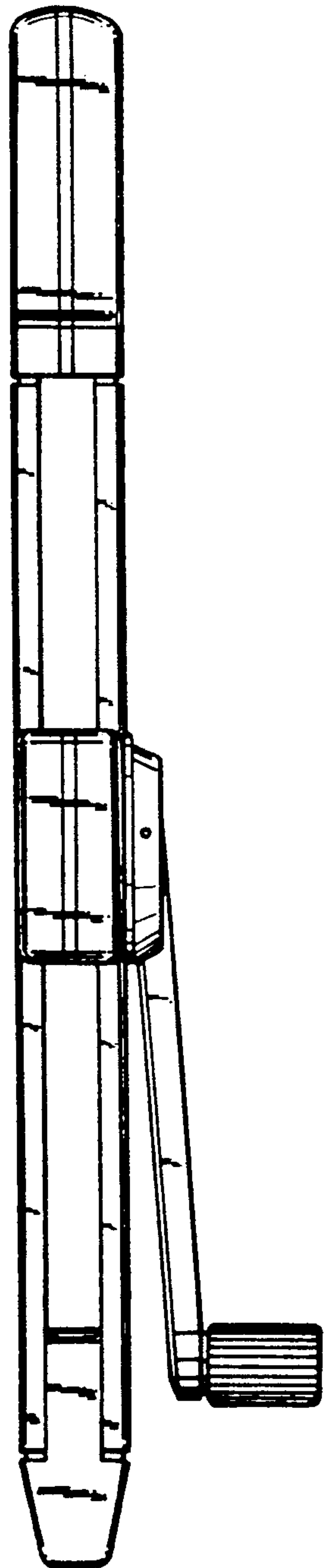


FIG. 7

