



US00D324344S

**United States Patent** [19]  
**Collister**

[11] **Patent Number: Des. 324,344**  
[45] **Date of Patent: \*\* Mar. 3, 1992**

[54] **REFLECTANCE METER**  
[75] **Inventor: Kenneth D. Collister, Elkhart, Ind.**  
[73] **Assignee: Miles, Inc., Elkhart, Ind.**

D. 307,399 4/1990 Collister ..... D10/46  
3,846,027 11/1974 Hyman et al. .... 356/418  
4,266,877 5/1981 Bodart ..... 356/418  
4,373,819 2/1983 Pallotta ..... 356/445  
4,952,817 8/1990 Bolan et al. .... 356/319 X

[\*] **Notice:** The portion of the term of this patent subsequent to Apr. 24, 2004 has been disclaimed.

*Primary Examiner*—Bruce W. Dunkins  
*Assistant Examiner*—Antoine D. Davis  
*Attorney, Agent, or Firm*—Roger N. Coe

[\*\*] **Term: 14 Years**

[57] **CLAIM**

[21] **Appl. No.: 431,978**

The ornamental design for the reflectance meter, as shown and described.

[22] **Filed: Nov. 6, 1989**

**DESCRIPTION**

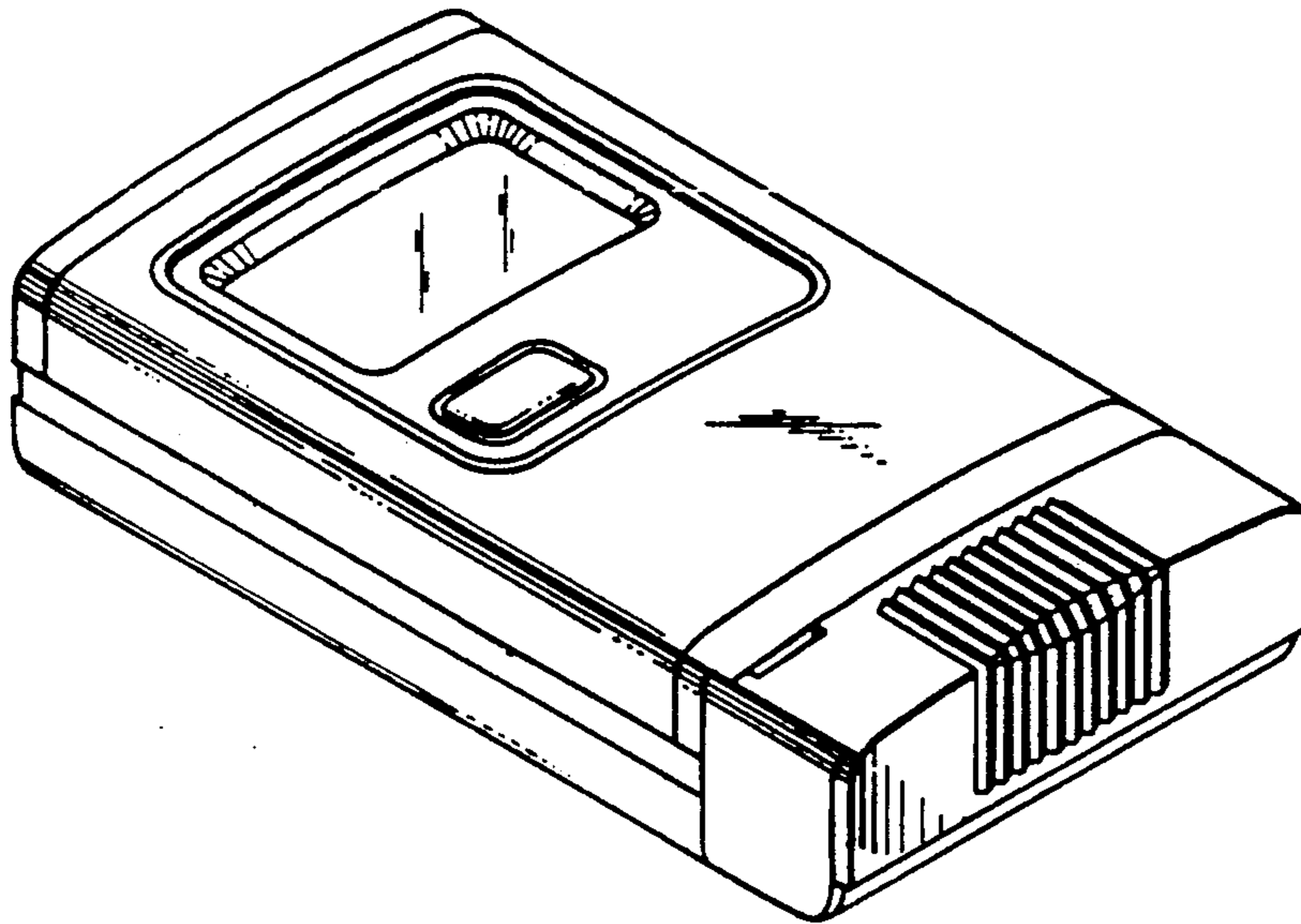
[52] **U.S. Cl. .... D10/46**  
[58] **Field of Search ..... D10/46, 78, 81; D16/17; D24/1.1, 8, 17; D26/118; 356/402, 416, 418, 445, 319, 448**

FIG. 1 is a top, front and left side perspective view of a reflectance meter showing my new design;  
FIG. 2 is a top plan view;  
FIG. 3 is a left side elevational view;  
FIG. 4 is a right side elevational view;  
FIG. 5 is a bottom plan view;  
FIG. 6 is a front elevational view; and  
FIG. 7 is a rear elevational view thereof.

[56] **References Cited**

**U.S. PATENT DOCUMENTS**

D. 299,591 1/1989 Matsuda ..... D10/46 X



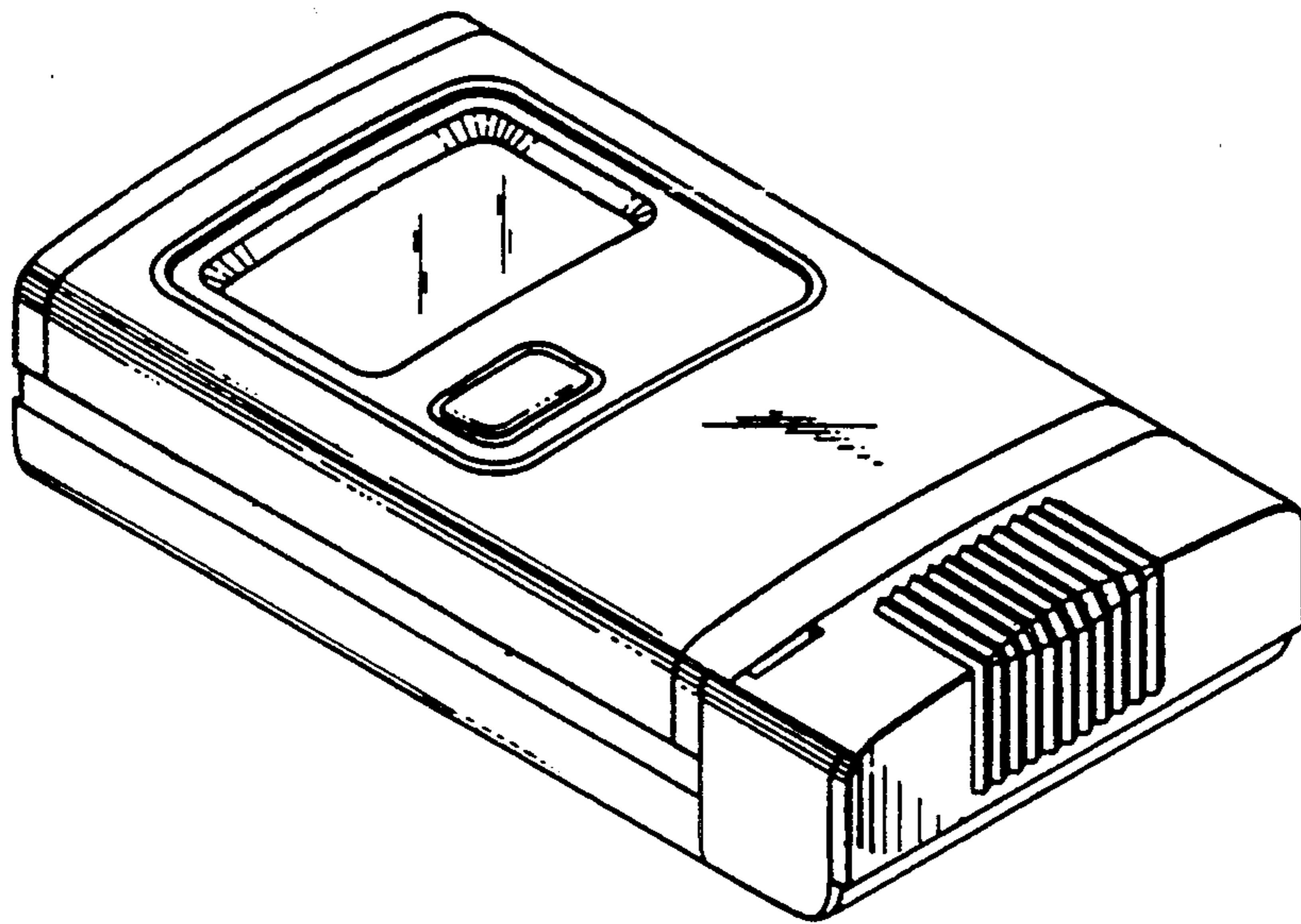


FIG. 1

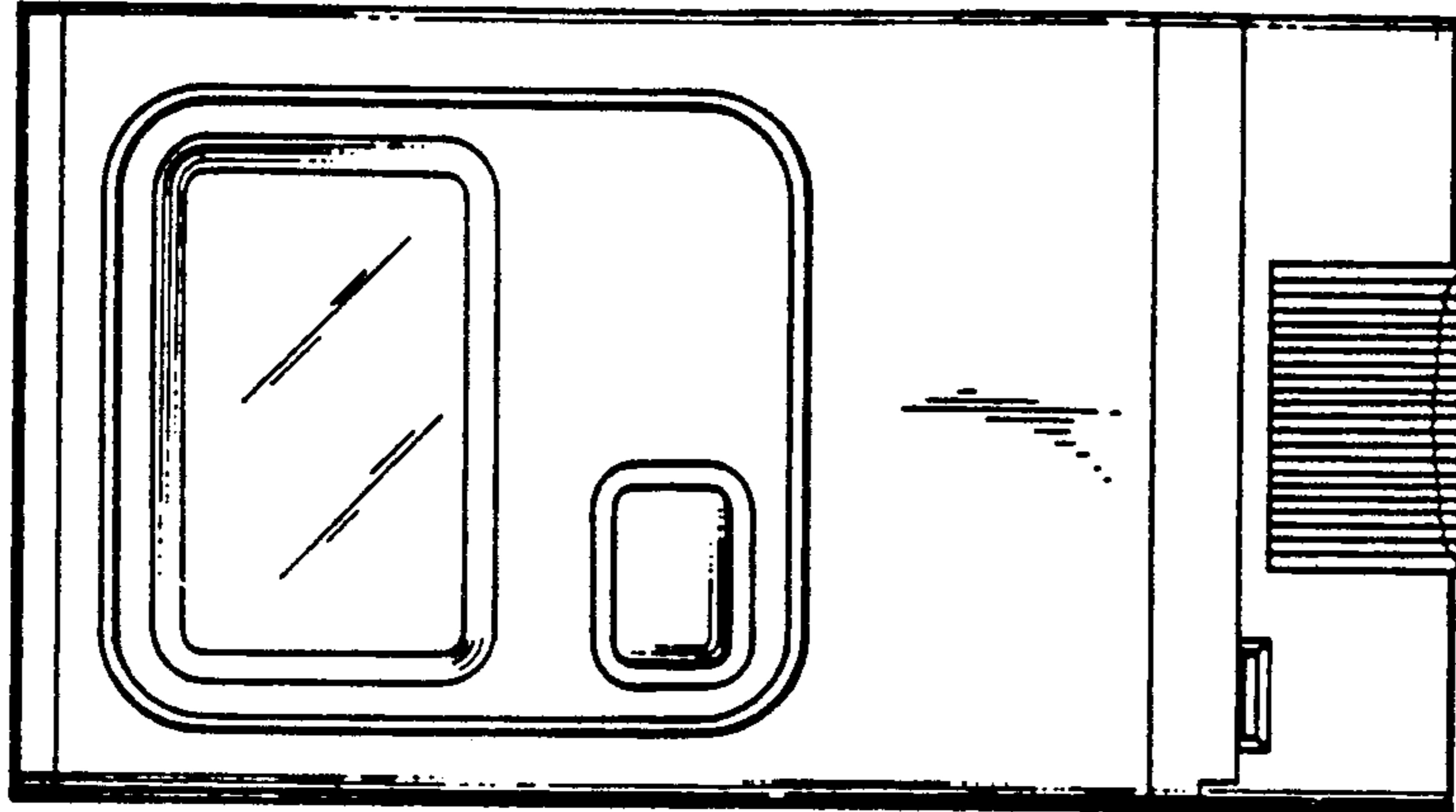


FIG. 2

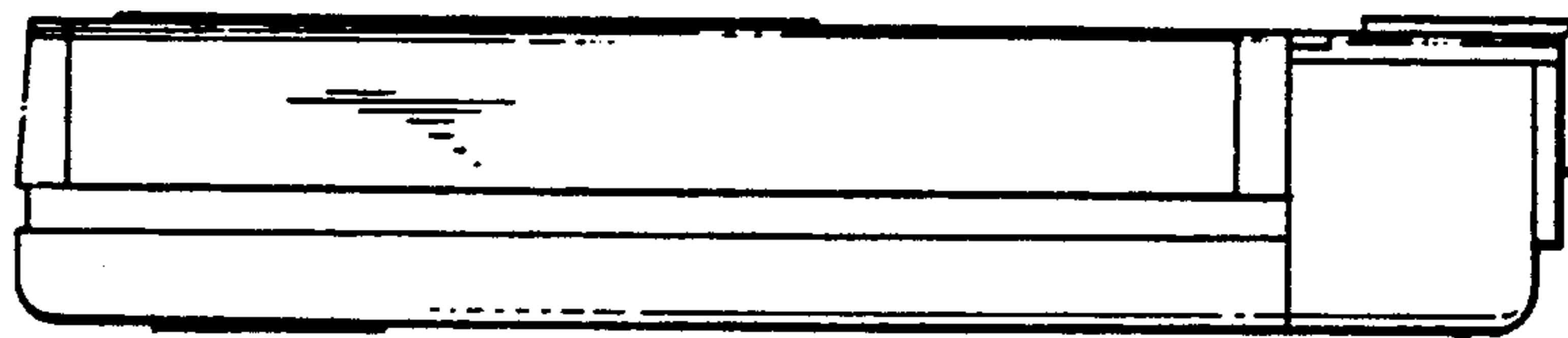


FIG. 3

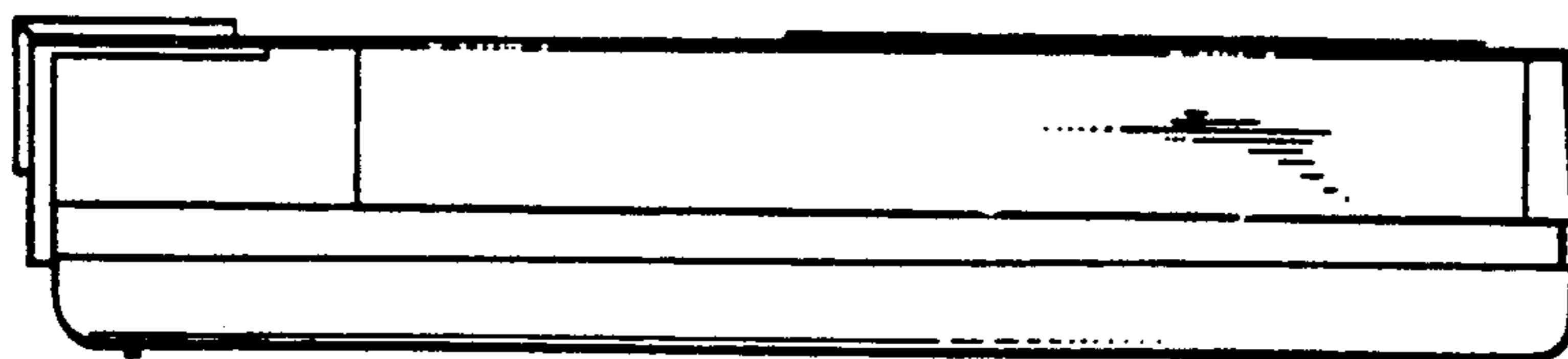


FIG. 4

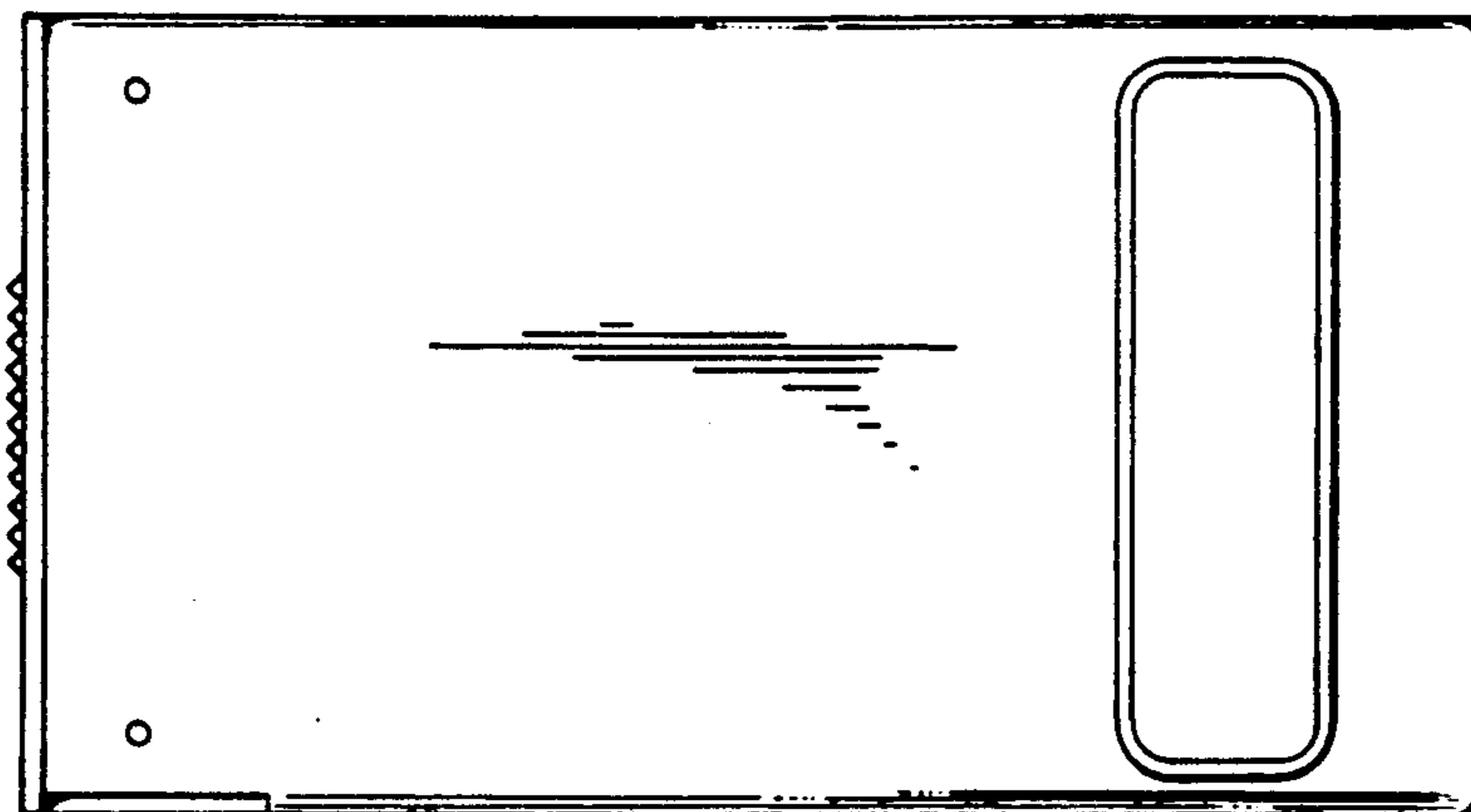


FIG. 5

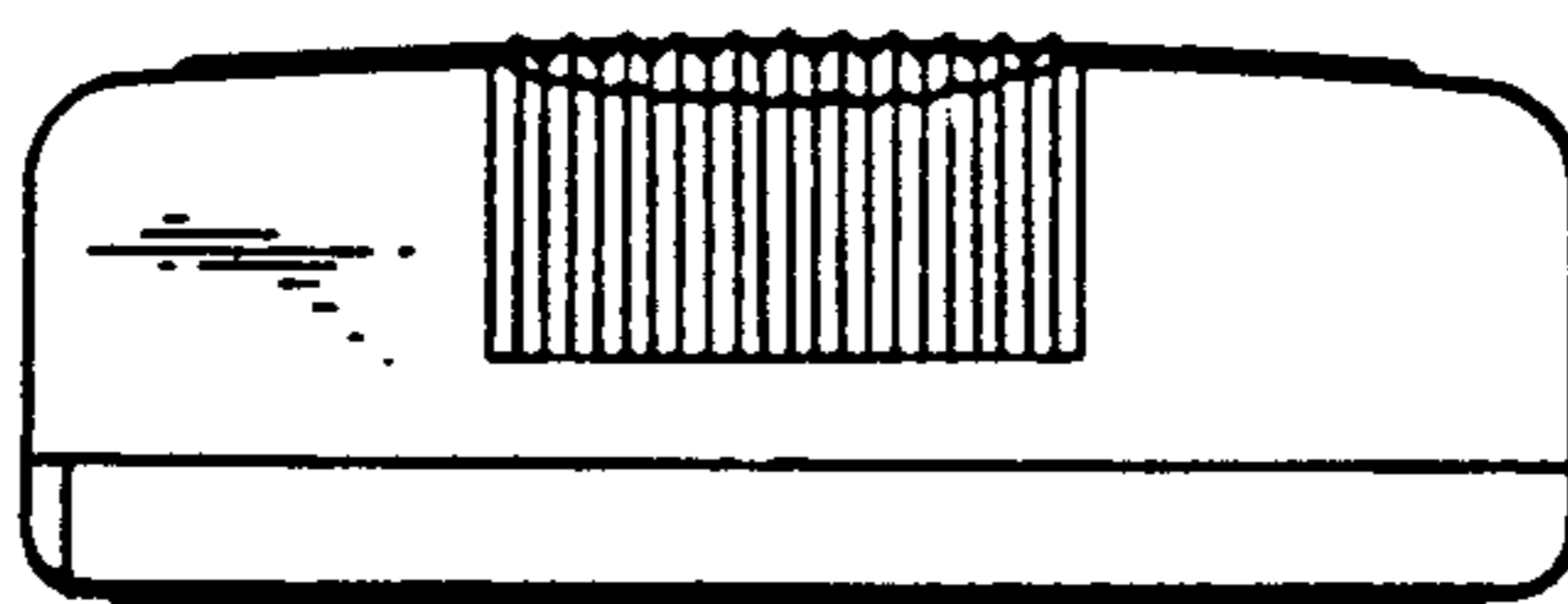


FIG. 6

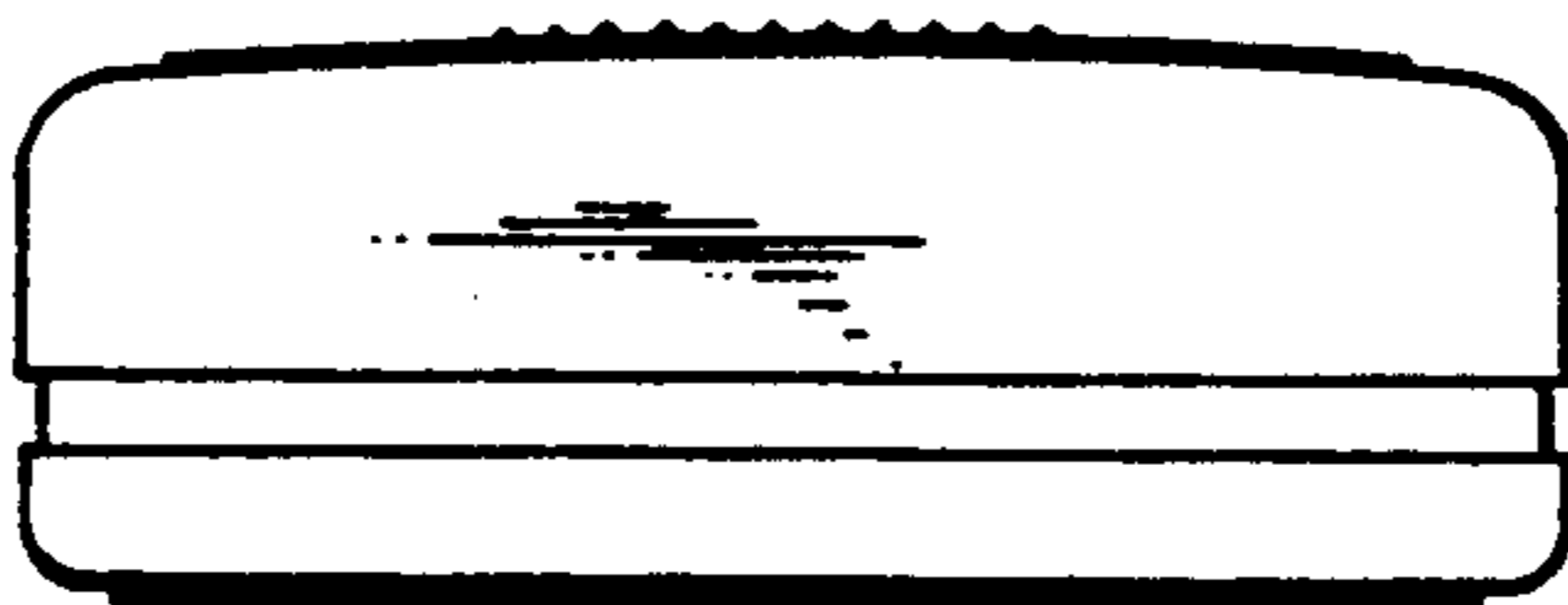


FIG. 7