



US00D324343S

**United States Patent** [19]  
**Tse**

[11] **Patent Number: Des. 324,343**  
[45] **Date of Patent: \*\* Mar. 3, 1992**

[54] **WRISTWATCH**

[75] **Inventor: Andrew C. S. Tse, Kowloon, Hong Kong**  
[73] **Assignee: HBL Ltd., Tsuen Wan, Hong Kong**  
[\*\*] **Term: 14 Years**  
[21] **Appl. No.: 422,432**  
[22] **Filed: Oct. 17, 1989**

[30] **Foreign Application Priority Data**  
Apr. 19, 1989 [GB] United Kingdom ..... 1058814  
[52] **U.S. Cl. .... D10/32; D10/39**  
[58] **Field of Search .... D10/1-40,**  
**D10/122-132; 368/280-282, 276-277, 285;**  
**D11/2-5**

[56] **References Cited**  
**U.S. PATENT DOCUMENTS**  
D. 284,356 6/1986 Porsche ..... D10/32

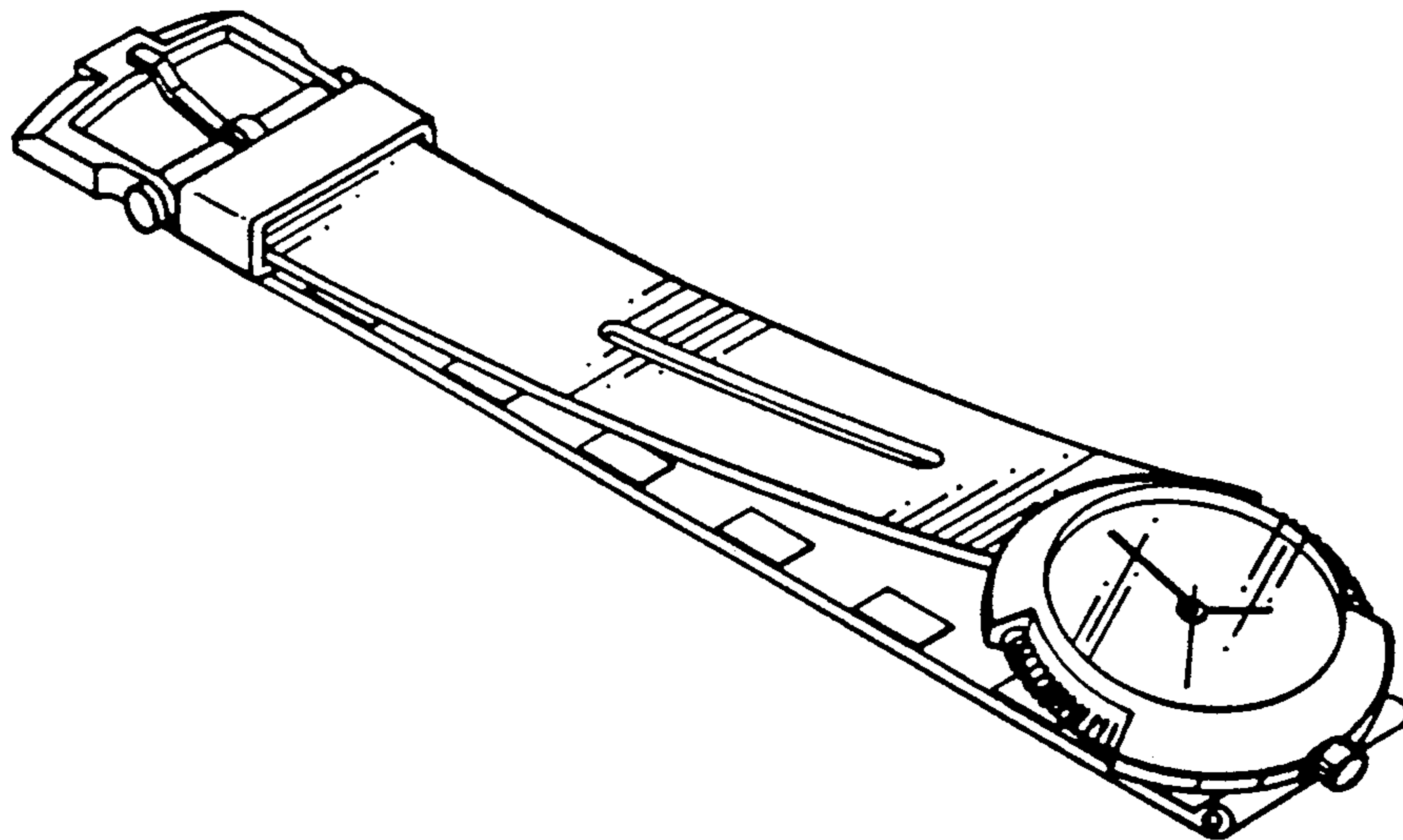
**OTHER PUBLICATIONS**

*Jeweler's Circular-Keystone*—2/75—p. 149—watch at bottom-left.  
*Hong Kong Enterprises*—7/88—p. 403—watches at center-left.  
*European Jeweler*—1/88—p. 64—watches at top-center.  
*Primary Examiner*—Nelson C. Holtje  
*Attorney, Agent, or Firm*—Wolf, Greenfield & Sacks

[57] **CLAIM**  
The ornamental design for a wristwatch, as shown and described.

**DESCRIPTION**

**FIG. 1** is a top perspective view of a wristwatch showing my new design with one strap end folded underneath;  
**FIG. 2** is a top plan view thereof;  
**FIG. 3** is a bottom plan view thereof;  
**FIG. 4** is a left side elevational view thereof;  
**FIG. 5** is a right side elevational view thereof;  
**FIG. 6** is a rear elevational view thereof; and  
**FIG. 7** is a front elevational view thereof.



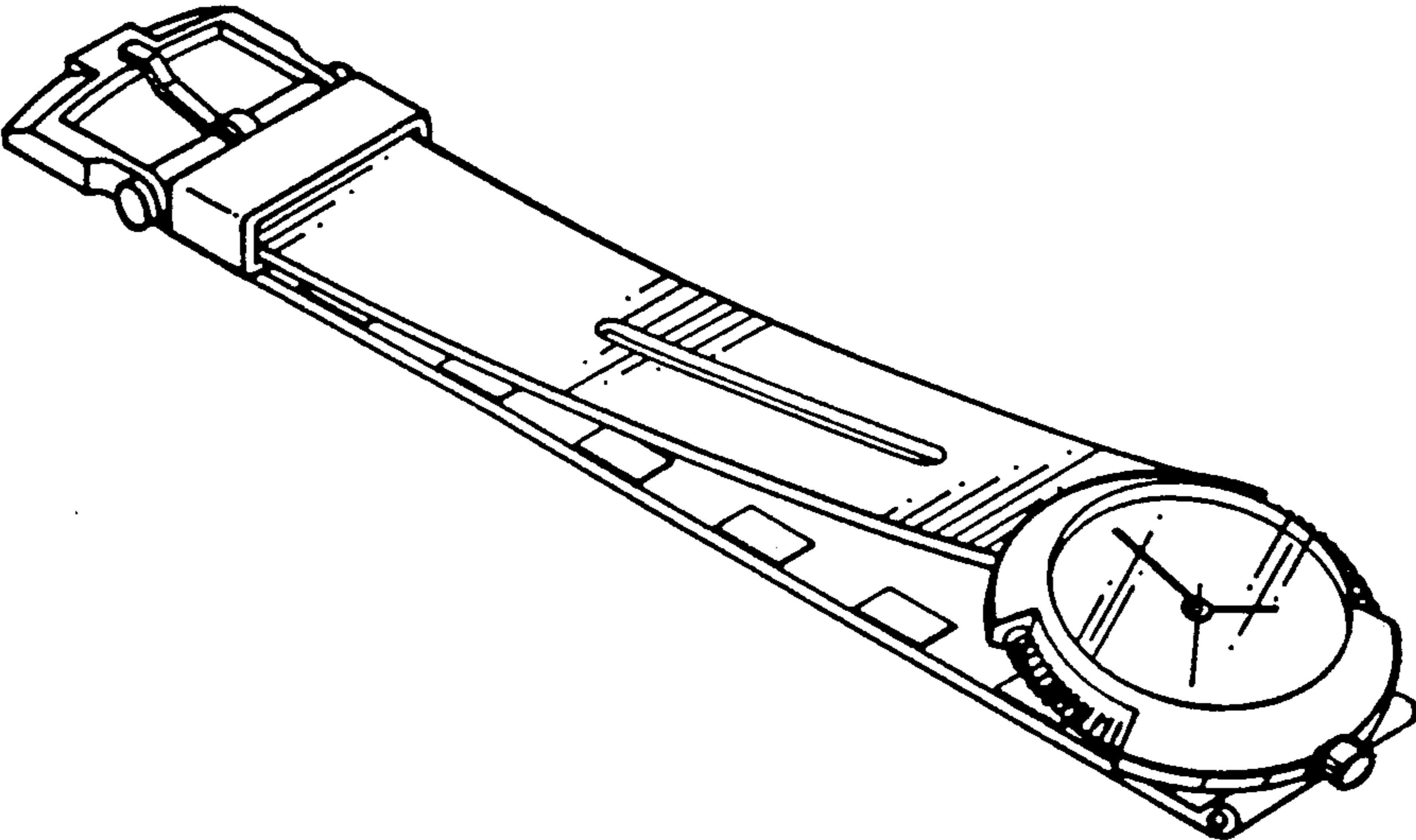


FIG. 1

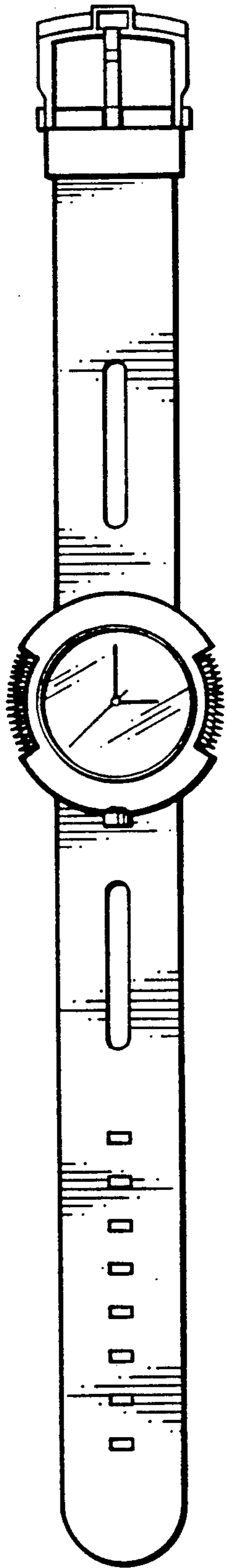


FIG. 2

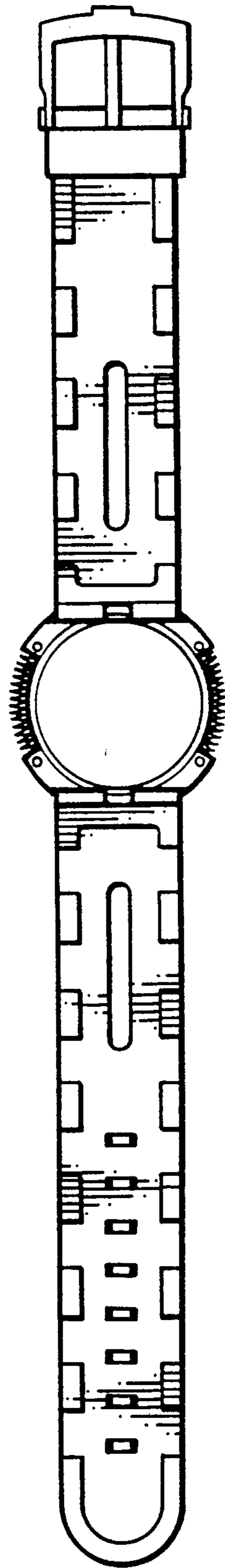


FIG. 3



FIG. 4

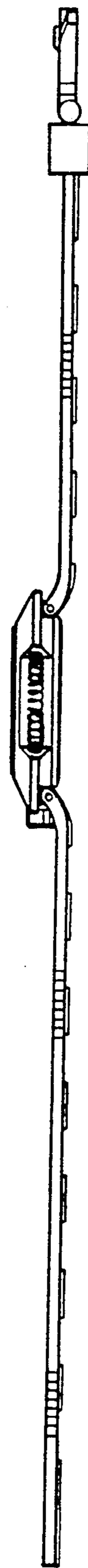


FIG. 5

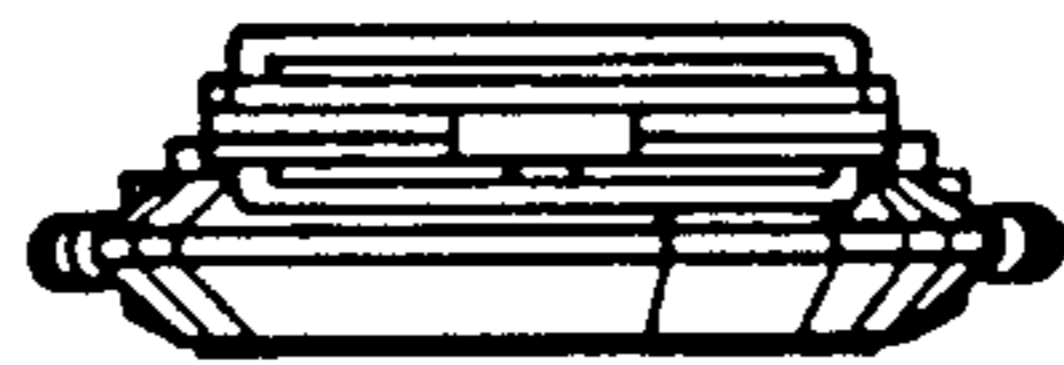


FIG. 6



FIG. 7