



US00D324341S

# United States Patent [19]

Houlihan

[11] Patent Number: **Des. 324,341**

[45] Date of Patent: **\*\* Mar. 3, 1992**

- [54] **DIGITAL SPORTS WATCH**
- [75] Inventor: **John T. Houlihan, Watertown, Conn.**
- [73] Assignee: **Timex Corporation, Middlebury, Conn.**
- [\*] Notice: The portion of the term of this patent subsequent to Mar. 3, 2006 has been disclaimed.
- [\*\*] Term: **14 Years**
- [21] Appl. No.: **328,345**
- [22] Filed: **Mar. 23, 1989**
- [52] U.S. Cl. .... **D10/32; D10/38**
- [58] Field of Search ..... **D10/30-39, D10/122-127; 368/37, 220-238, 276, 278, 281-286, 294-297**

D. 311,342	10/1990	Houlihan	.....	D10/30
3,978,296	8/1976	Moriya et al.	.....	368/224 X
4,183,203	1/1980	Maewawa et al.	.....	368/21
4,280,207	7/1981	Maewawa	.....	368/21

### OTHER PUBLICATIONS

Hong Kong Enterprise; 3/1987; p. 366; #SW2050 second; bottom left.  
 Timex '89 Watch Catalog, p. 25 (photocopy enclosed) (published Dec. 9, 1988).

*Primary Examiner*—Nelson C. Holtje  
*Assistant Examiner*—Caron D. Veynar  
*Attorney, Agent, or Firm*—William C. Crutcher

### [57] CLAIM

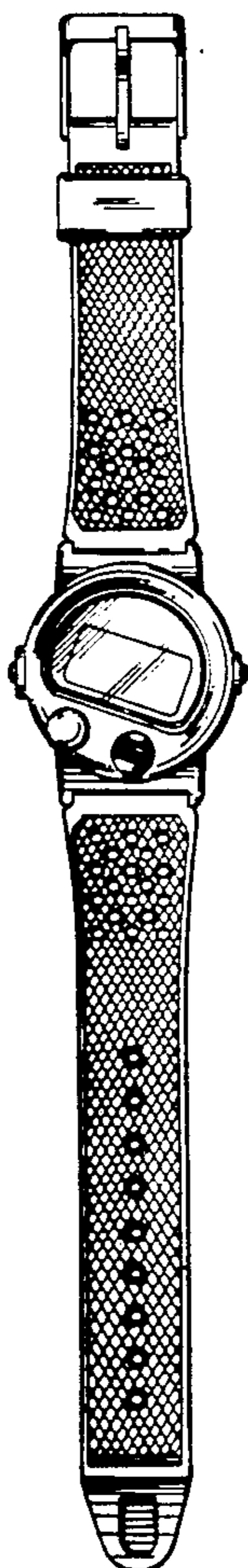
The ornamental design for a digital sports watch, as shown and described.

### DESCRIPTION

FIG. 1 is a top plan view of a digital sports watch showing my new design;  
 FIG. 2 is a left side elevational view thereof;  
 FIG. 3 is a right side elevational view thereof;  
 FIG. 4 is a rear elevational view thereof;  
 FIG. 5 is a front elevational view thereof; and  
 FIG. 6 is a bottom plan view thereof.

[56] **References Cited**  
**U.S. PATENT DOCUMENTS**

D. 245,074	7/1977	Karibe et al.	.....	D10/7
D. 257,479	11/1980	Carre	.....	D10/2
D. 263,452	3/1982	Wada	.....	D10/38
D. 279,273	6/1985	Giugiaro	.....	D10/38
D. 287,341	12/1986	Grimes	.....	D10/38 X



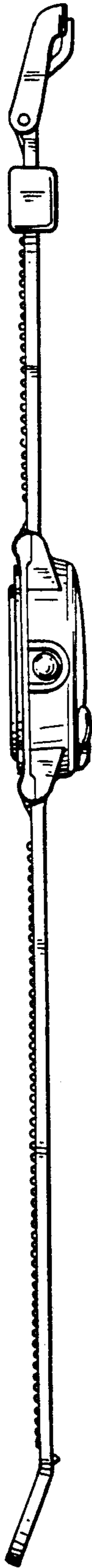


FIG. 2

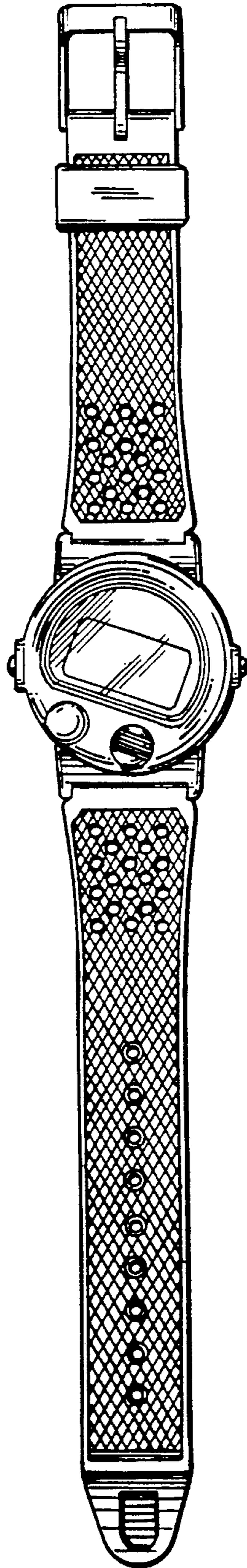


FIG. 1

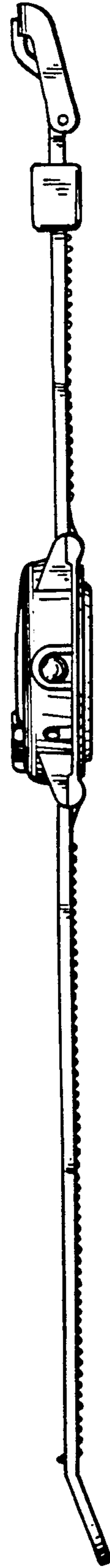


FIG. 3

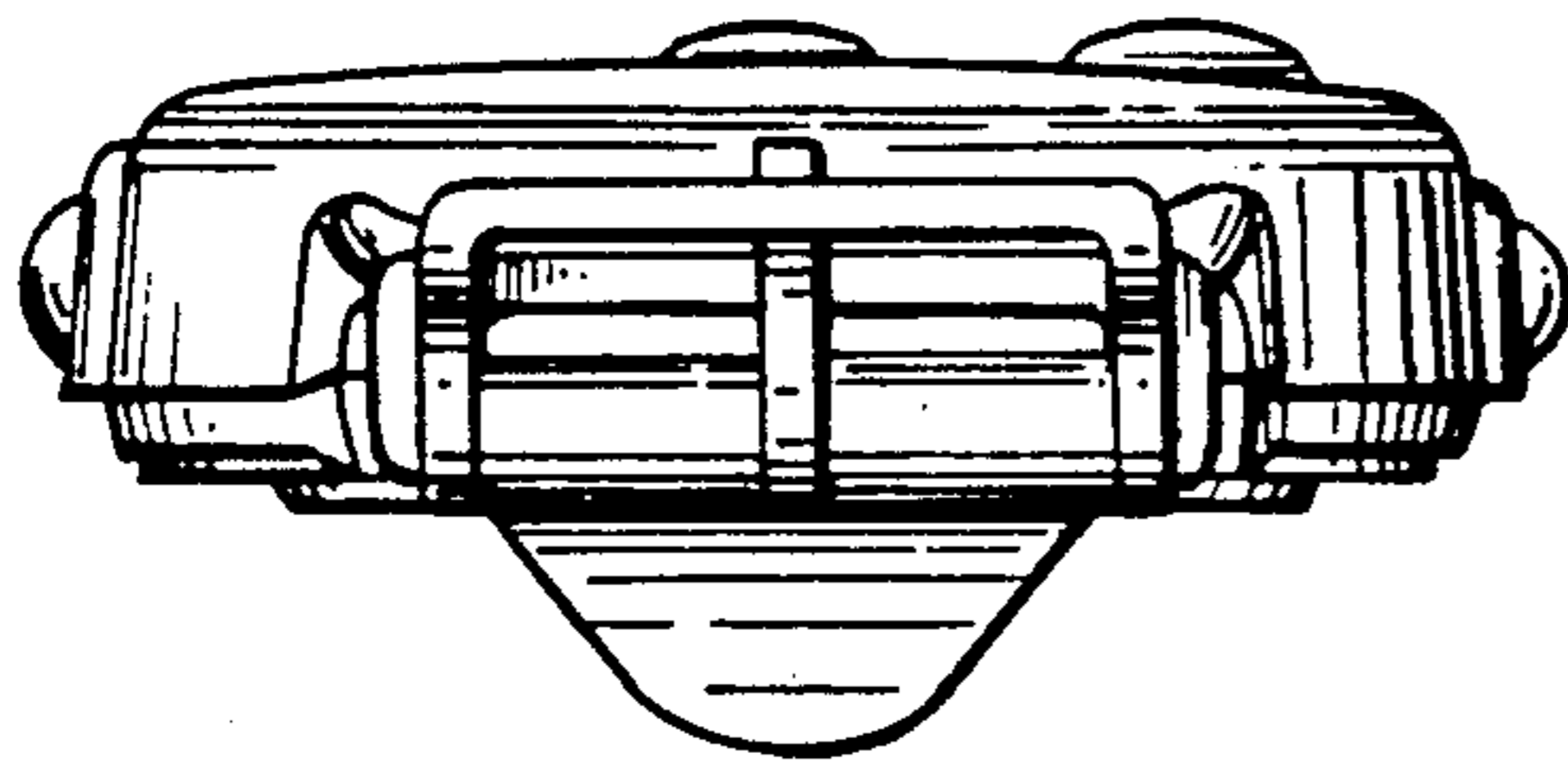


FIG. 4

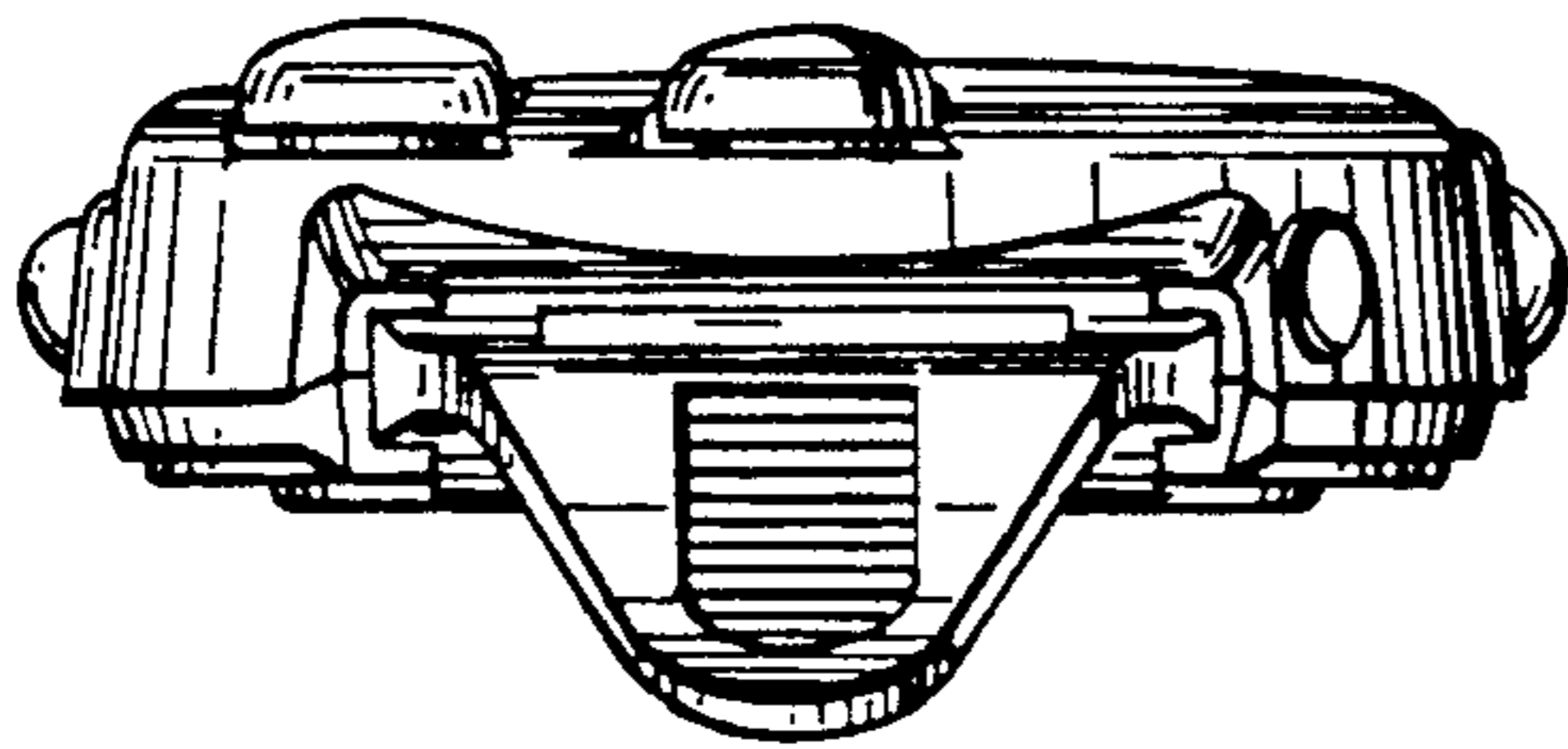


FIG. 5

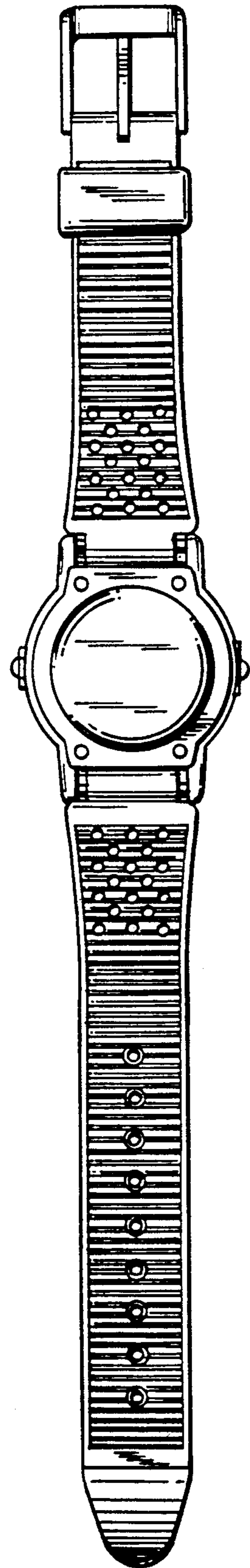


FIG. 6