



US00D324329S

# United States Patent [19]

[11] Patent Number: **Des. 324,329**

**Kleiss**

[45] Date of Patent: **\*\* Mar. 3, 1992**

[54] SNAP-IN TRIM ELEMENT FOR SECURING FOIL SHEET WALL INSULATION IN A SUPPORT FRAME ASSEMBLY OR THE LIKE

[56] **References Cited**

**U.S. PATENT DOCUMENTS**

D. 249,965	10/1978	Cooper	.....	D25/58 X
2,679,700	6/1954	Urbain	.....	D25/58 X
3,124,222	3/1964	Mote	.....	D25/58 X
4,189,880	2/1980	Ballin	.....	D25/121 X
4,300,323	11/1981	Meecham et al.	.....	52/461 X
4,481,747	11/1984	Tengesdal et al.	.....	52/461 X
4,719,731	1/1988	Ravotti et al.	.....	52/461 X
4,737,218	4/1988	Caldwell et al.	.....	52/461 X
4,936,065	6/1990	Hutchinson	.....	52/461 X

[75] Inventor: **Peter H. Kleiss**, Highton, Australia

*Primary Examiner*—Brian N. Vinson

[73] Assignee: **Renhurst Products Pty. Ltd.**,  
Victoria, Australia

[\*\*] Term: **14 Years**

[57] **CLAIM**

[21] Appl. No.: **403,323**

The ornamental design for a snap-in trim element for securing foil sheet wall insulation in a support frame assembly or the like, as shown and described.

[22] Filed: **Sep. 6, 1989**

**DESCRIPTION**

[30] **Foreign Application Priority Data**

Mar. 8, 1989 [AU] Australia ..... 682/89

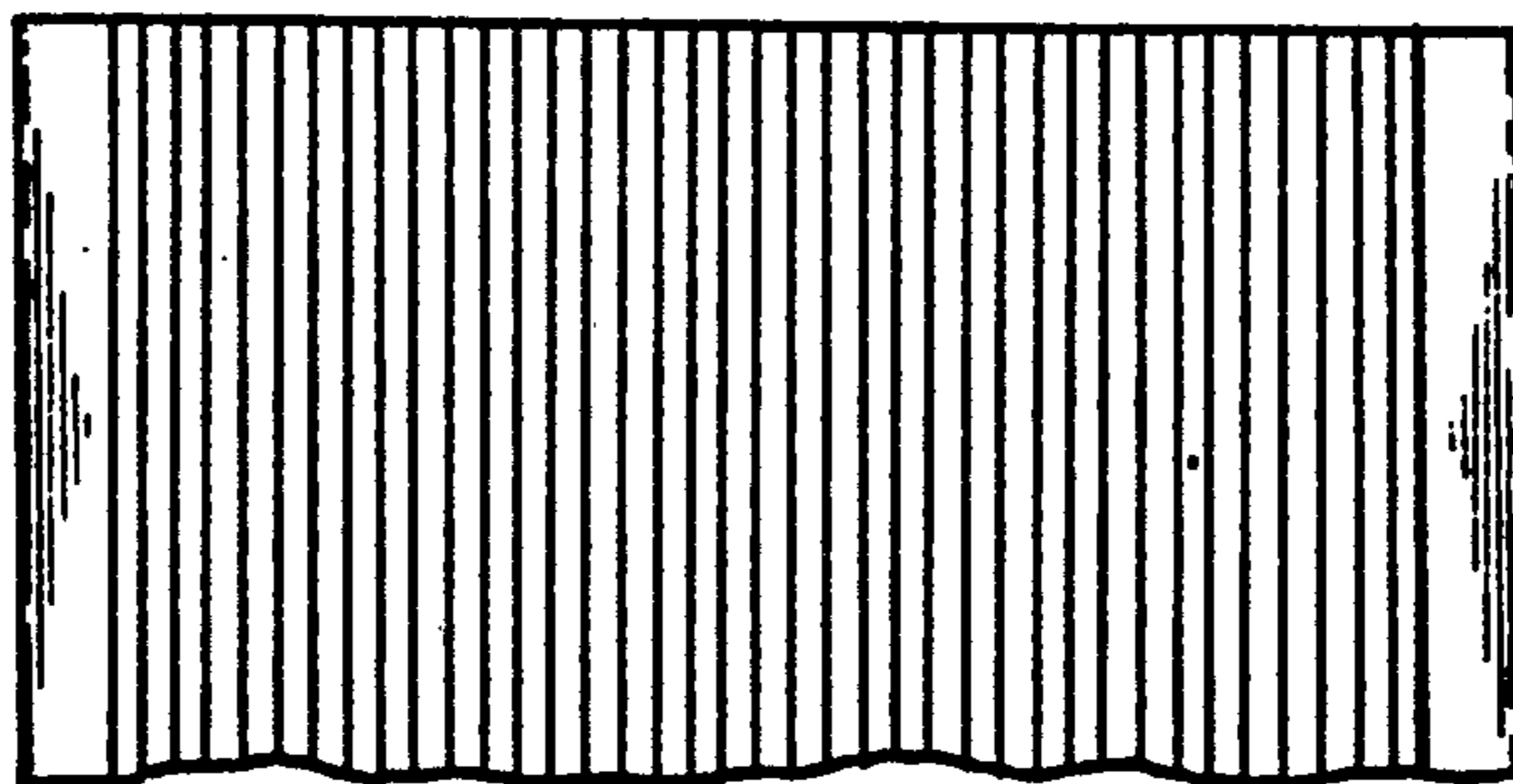
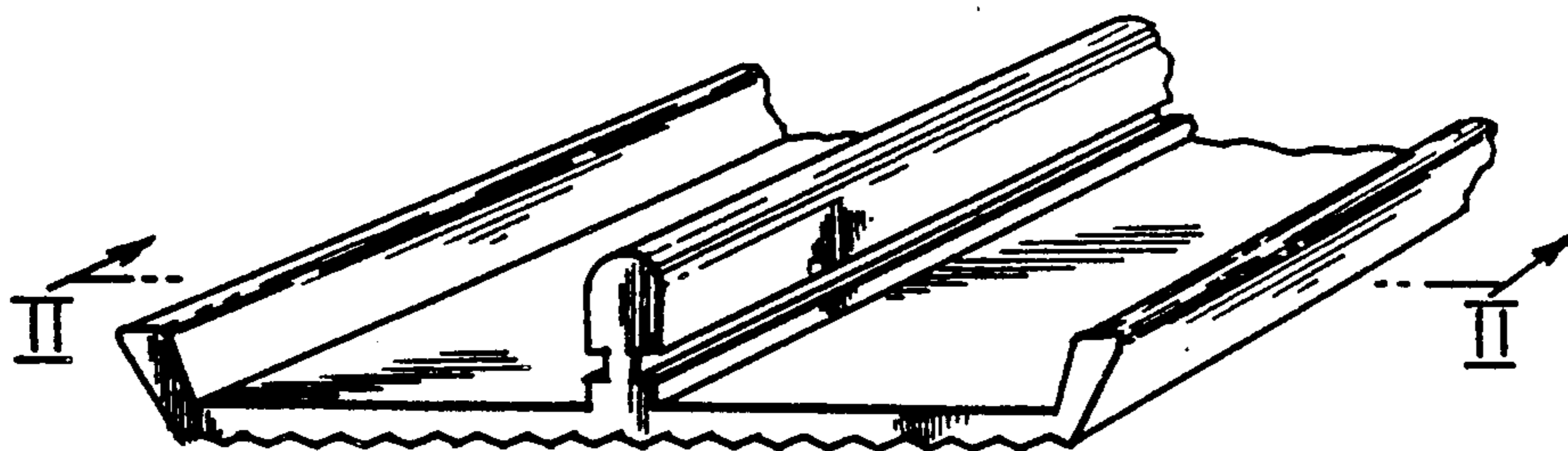
[52] U.S. Cl. .... **D8/382; D25/131**

[58] Field of Search ..... **D8/349, 354-355, D8/382-383; D25/58, 55, 102, 119, 121, 131, 199; 52/461, 463, 465, 468, 471, 202, 238.1, 281, 578, 585-586, 716**

FIG. 1 is a top and rear perspective view of a snap-in trim element for securing foil sheet wall insulation in a support frame assembly or the like showing my new design;

FIG. 2 is a horizontal cross-sectional view thereof, taken along line 2—2 of FIG. 1; and FIG. 3 is a front elevational view thereof.

The element is shown broken-away in the views to indicate indeterminate length.



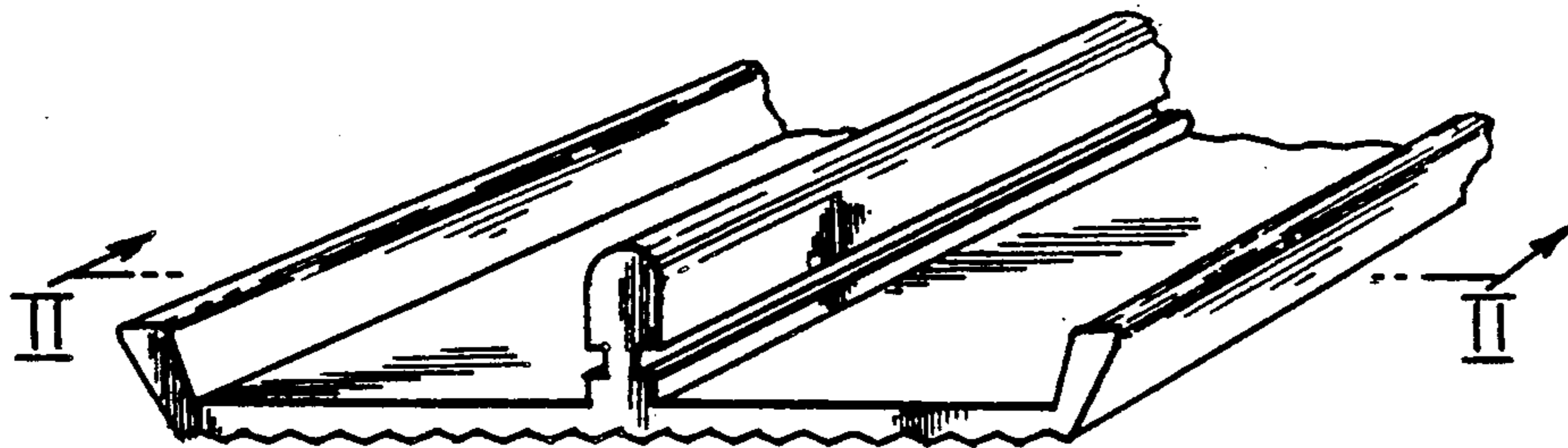


FIG 1

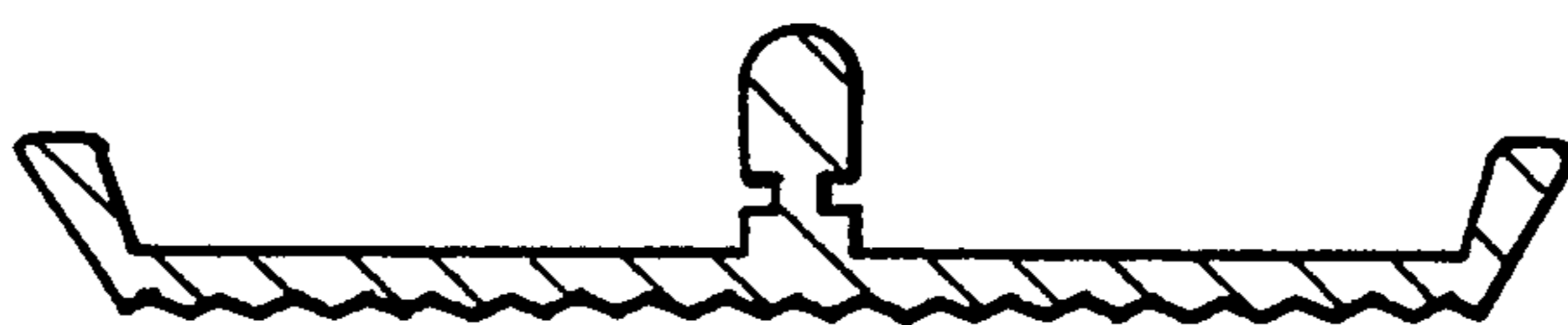


FIG 2

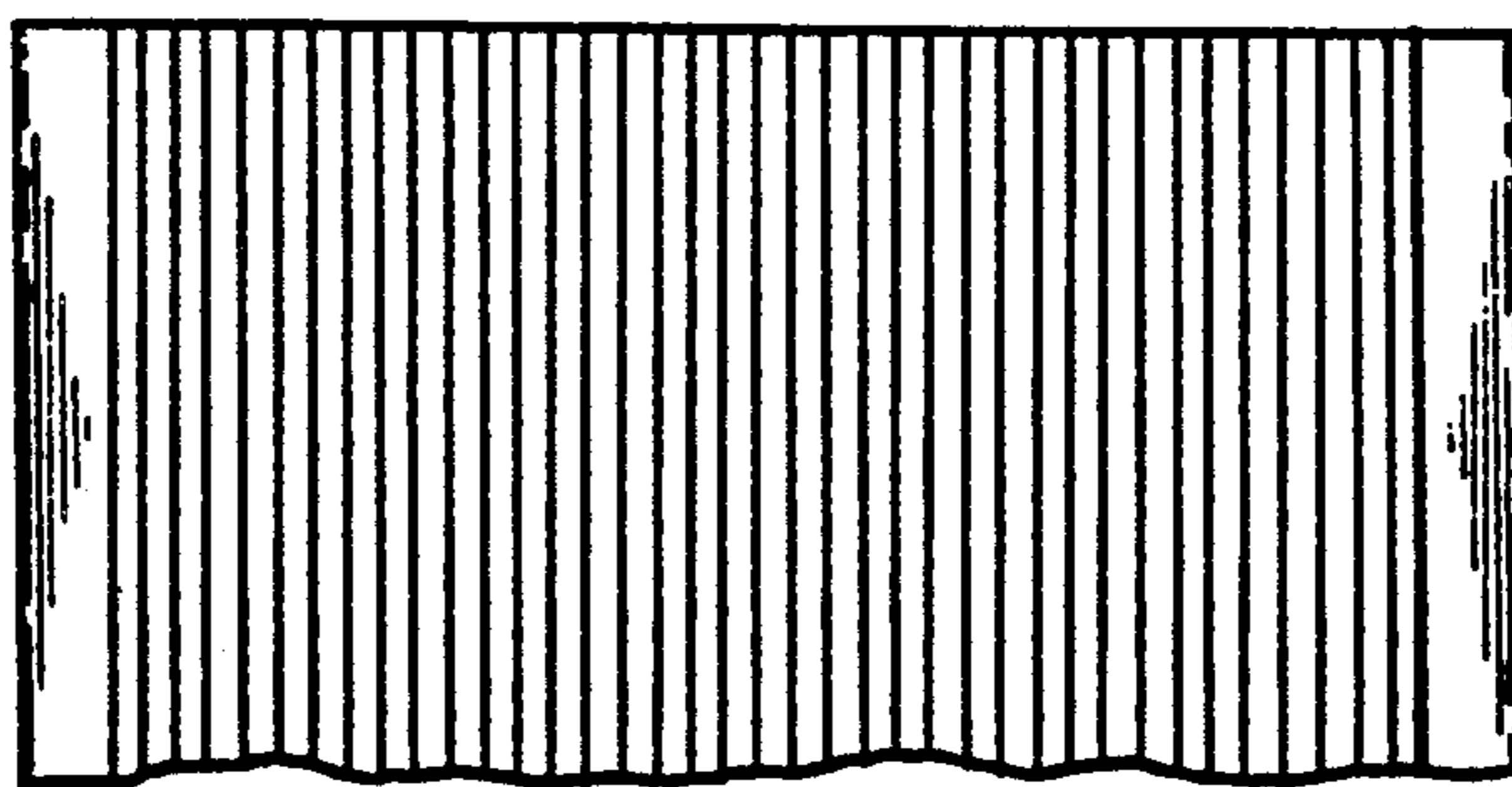


FIG 3