



US00D324322S

**United States Patent** [19]  
**Barrault**

[11] **Patent Number: Des. 324,322**

[45] **Date of Patent: \*\* Mar. 3, 1992**

[54] **FOOD PROCESSOR**

[75] **Inventor: Jean-Louis Barrault,**  
Boulogne-Billancourt, France

[73] **Assignee: Moulinex, Bagnolet, France**

[\*\*] **Term: 14 Years**

[21] **Appl. No.: 371,582**

[22] **Filed: Jun. 26, 1989**

[30] **Foreign Application Priority Data**

Dec. 30, 1988 [FR] France ..... 88 8176  
[52] **U.S. Cl.** ..... **D7/384; D7/376**  
[58] **Field of Search** ..... **D7/376, 383, 384, 386,**  
**D7/412, 413; 241/92, 93, 282.1, 282.2;**  
**366/129, 130, 197, 199, 204, 205, 314**

[56] **References Cited**

**U.S. PATENT DOCUMENTS**

D. 256,318 8/1980 Levin ..... D7/384  
D. 272,120 1/1984 Sawada et al. .... D7/378 X  
D. 272,979 3/1984 Akita et al. .... D7/384  
D. 297,901 10/1988 Barrault ..... D7/381 X

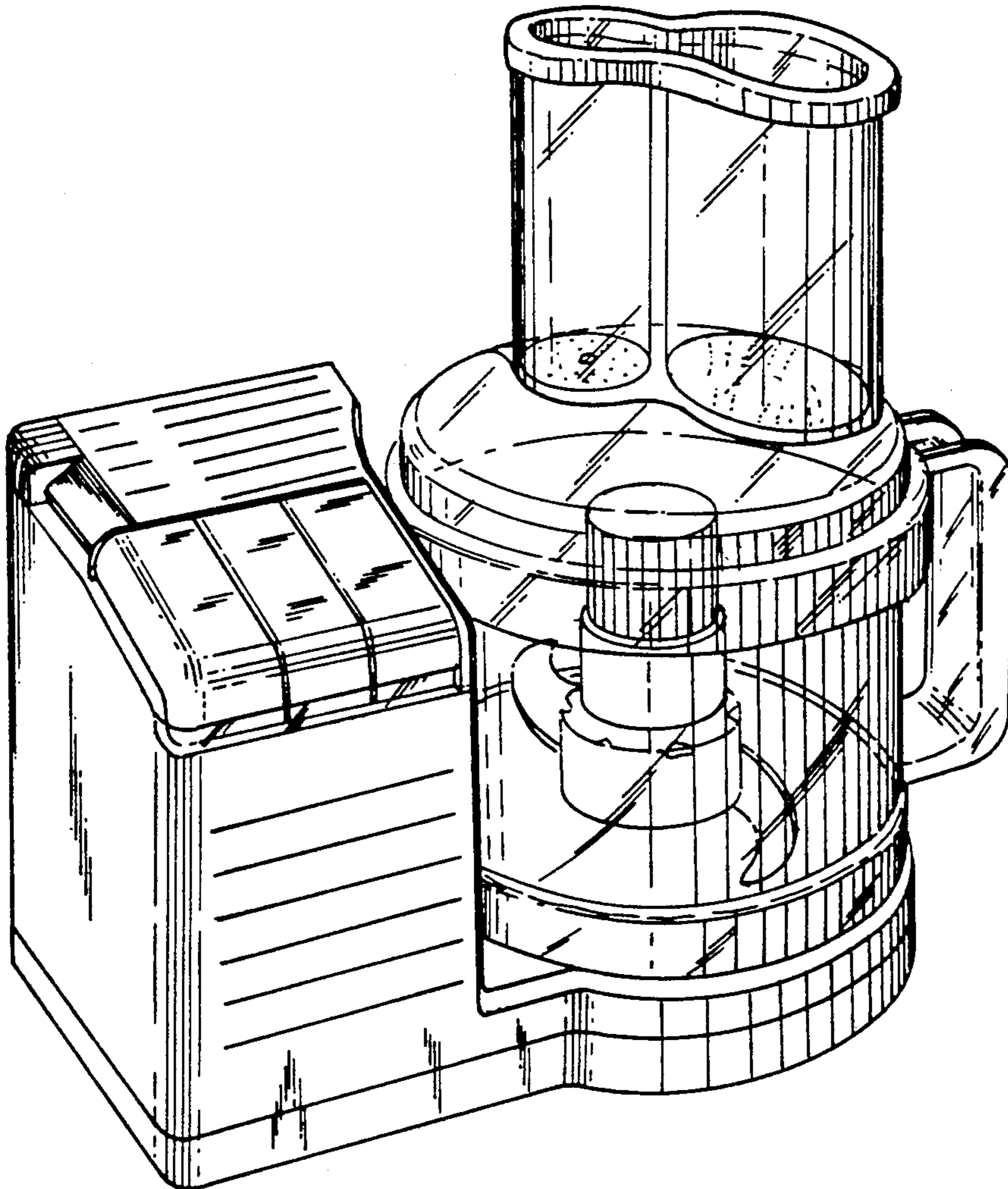
*Primary Examiner*—Nelson C. Holtje  
*Assistant Examiner*—Caron D. Veynar  
*Attorney, Agent, or Firm*—Young & Thompson

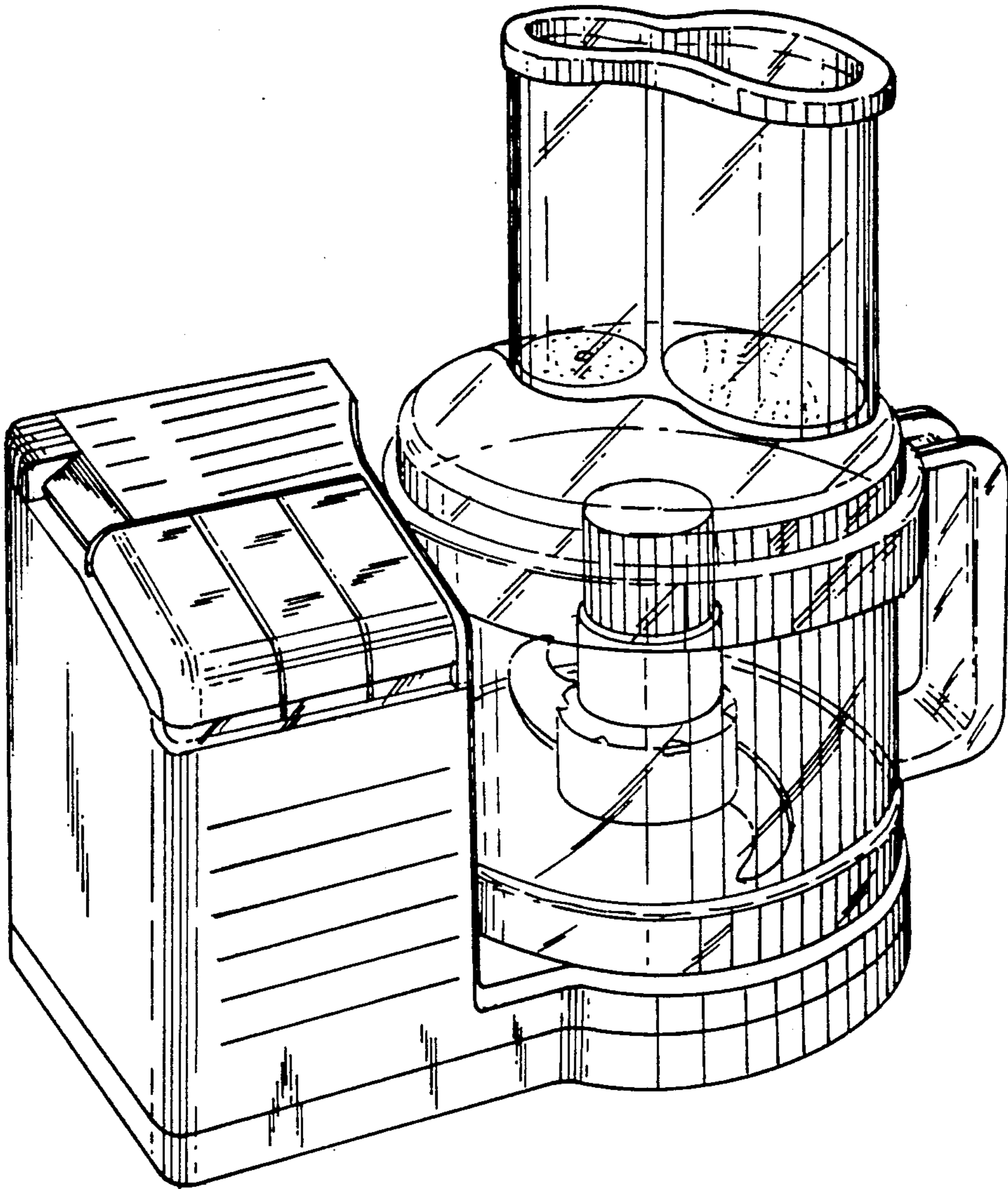
[57] **CLAIM**

The ornamental design for a food processor, as shown.

**DESCRIPTION**

FIG. 1 is a perspective view of a food processor showing my new design;  
FIG. 2 is a front elevational view thereof;  
FIG. 3 is a rear elevational view thereof;  
FIG. 4 is a right side elevational view thereof;  
FIG. 5 is a left side elevational view thereof;  
FIG. 6 is a top plan view thereof; and  
FIG. 7 is a bottom plan view thereof.





*FIG. 1*

FIG. 2

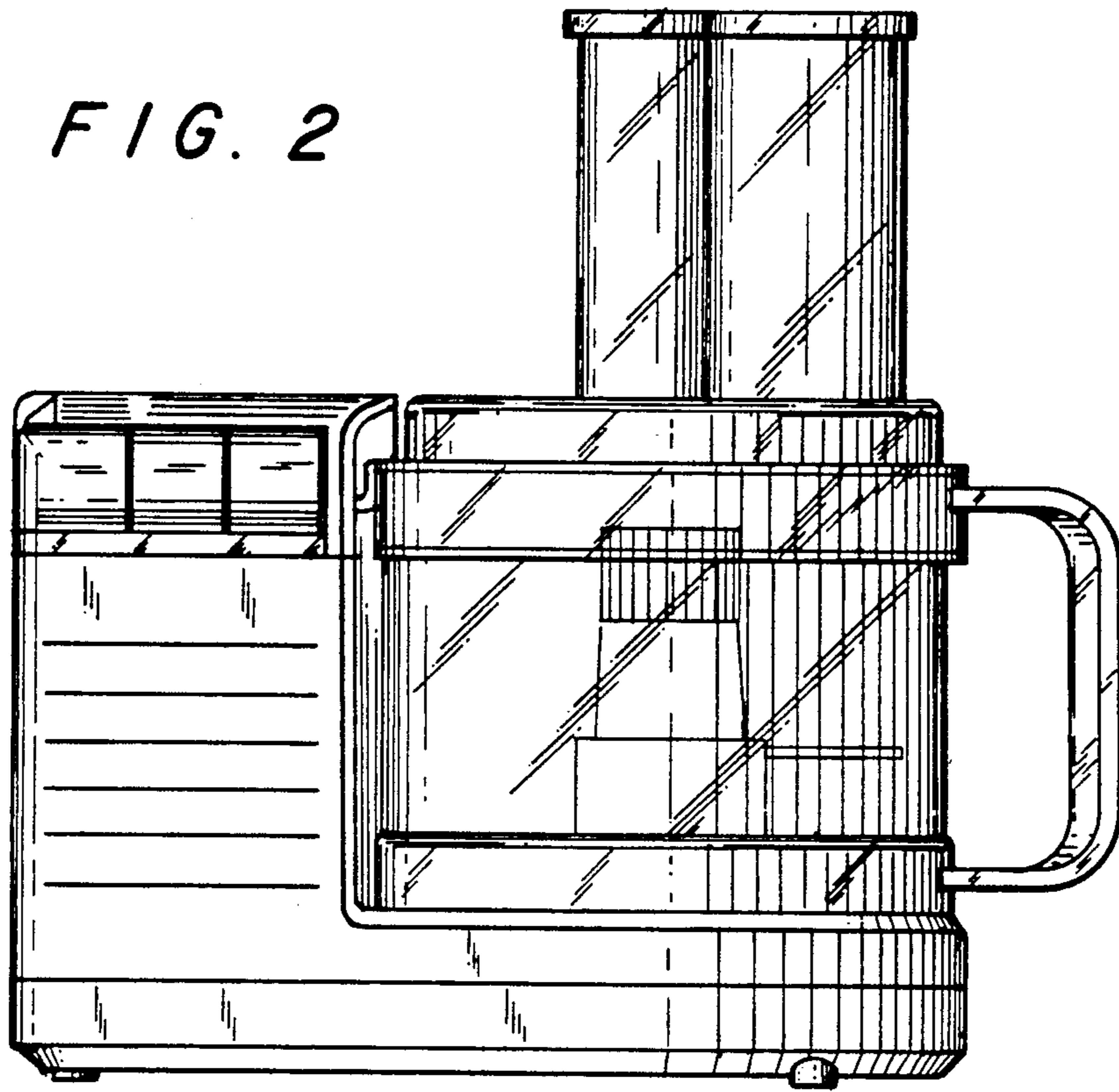
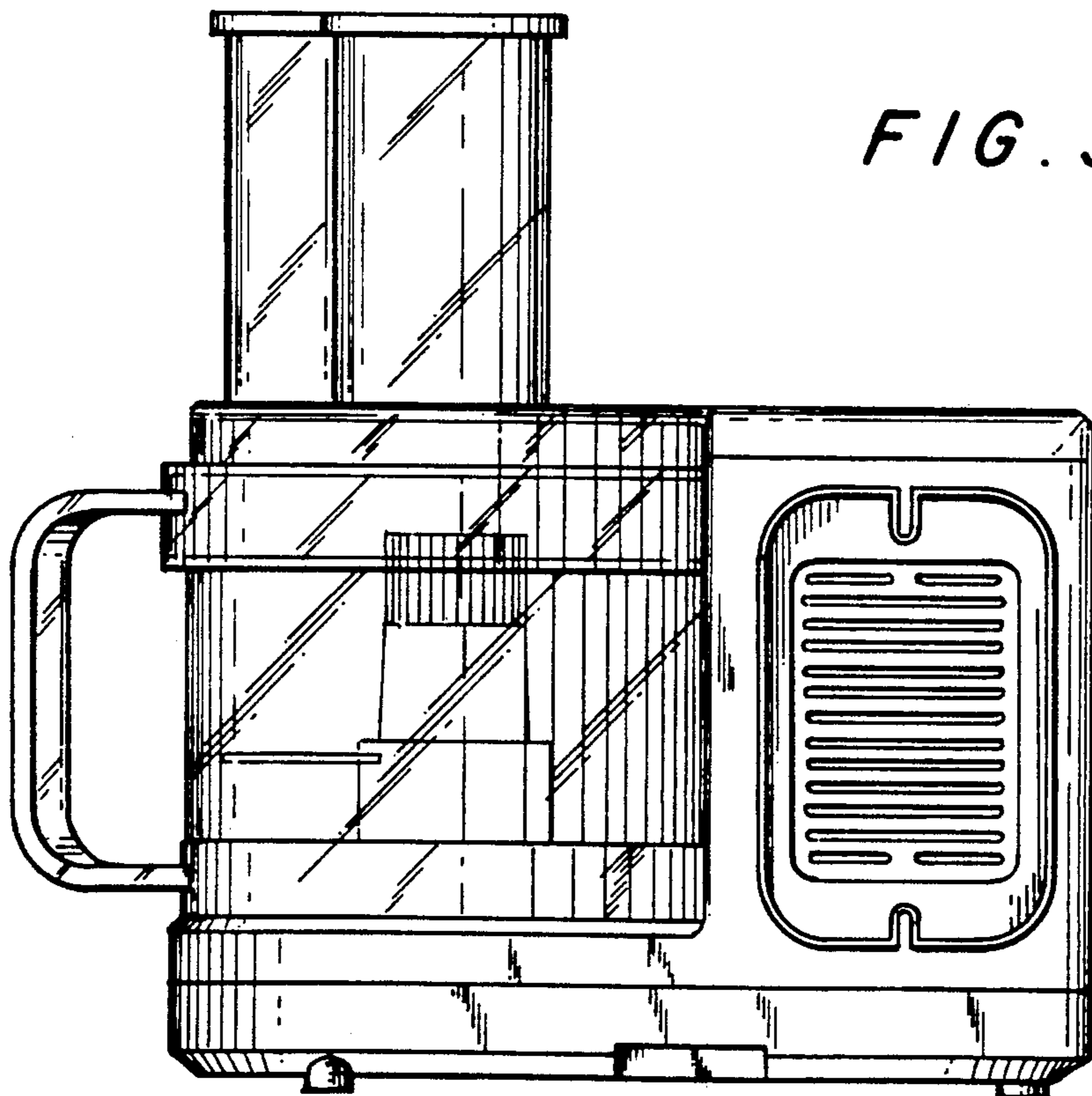
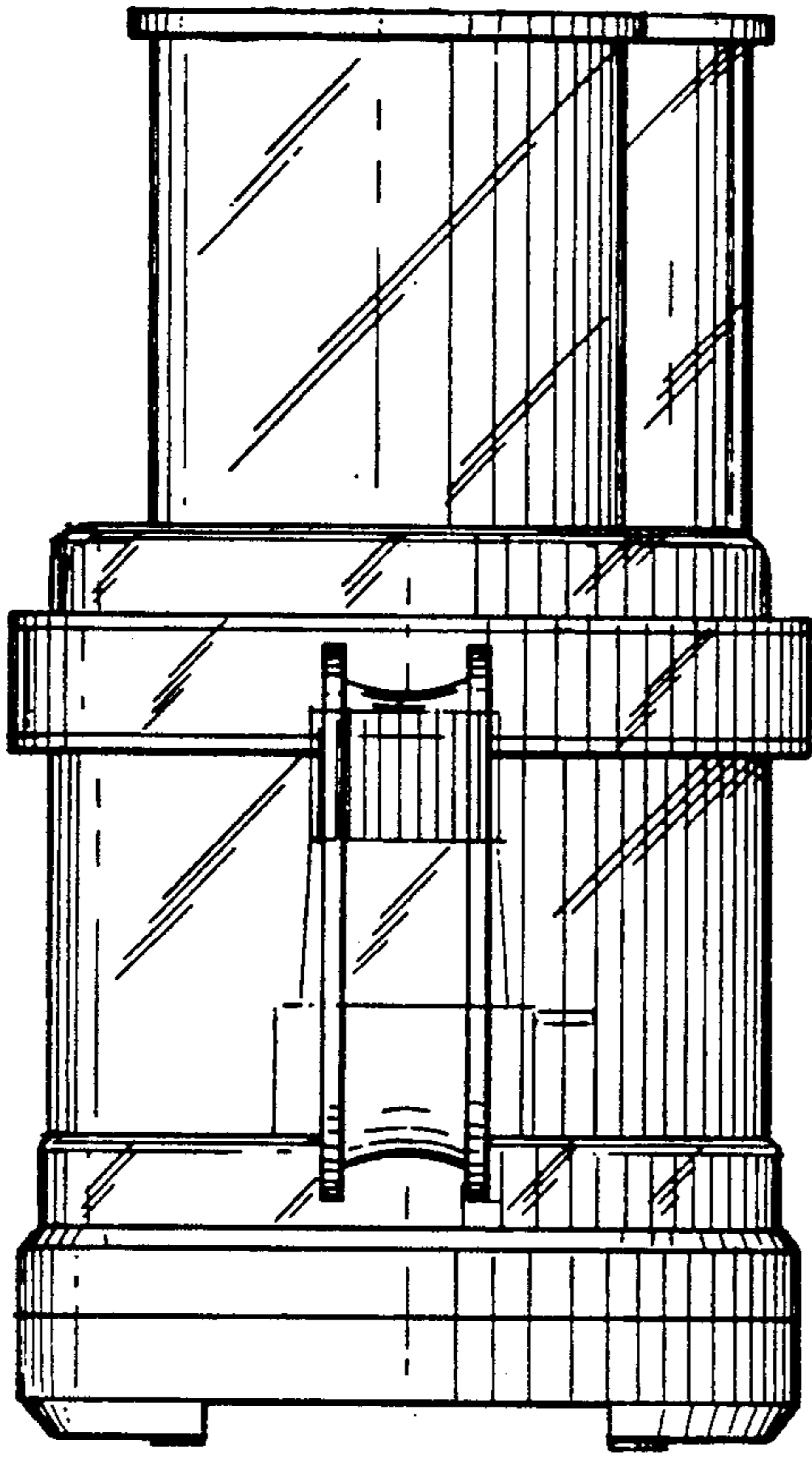


FIG. 3





*FIG. 4*

*FIG. 5*

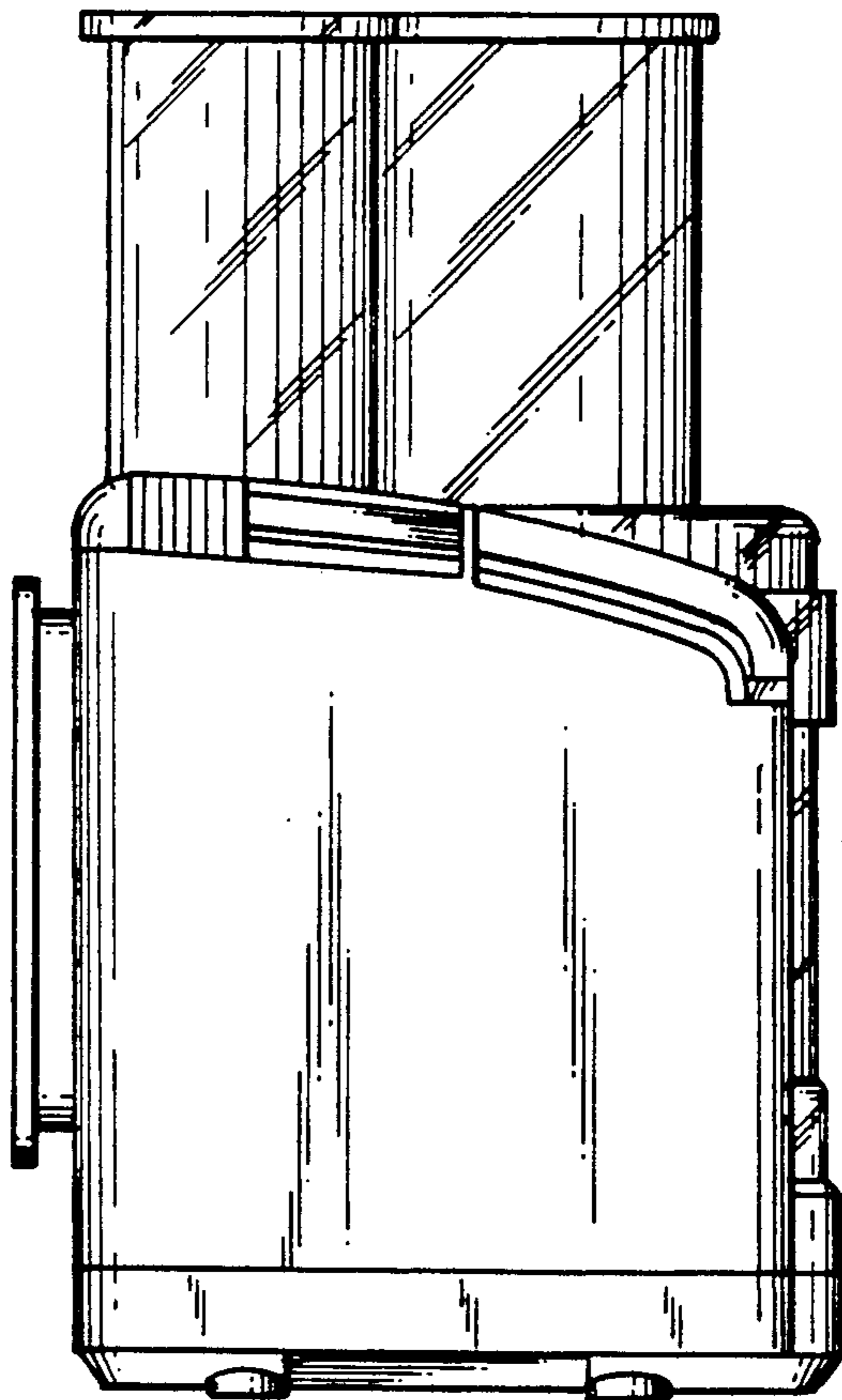


FIG. 6

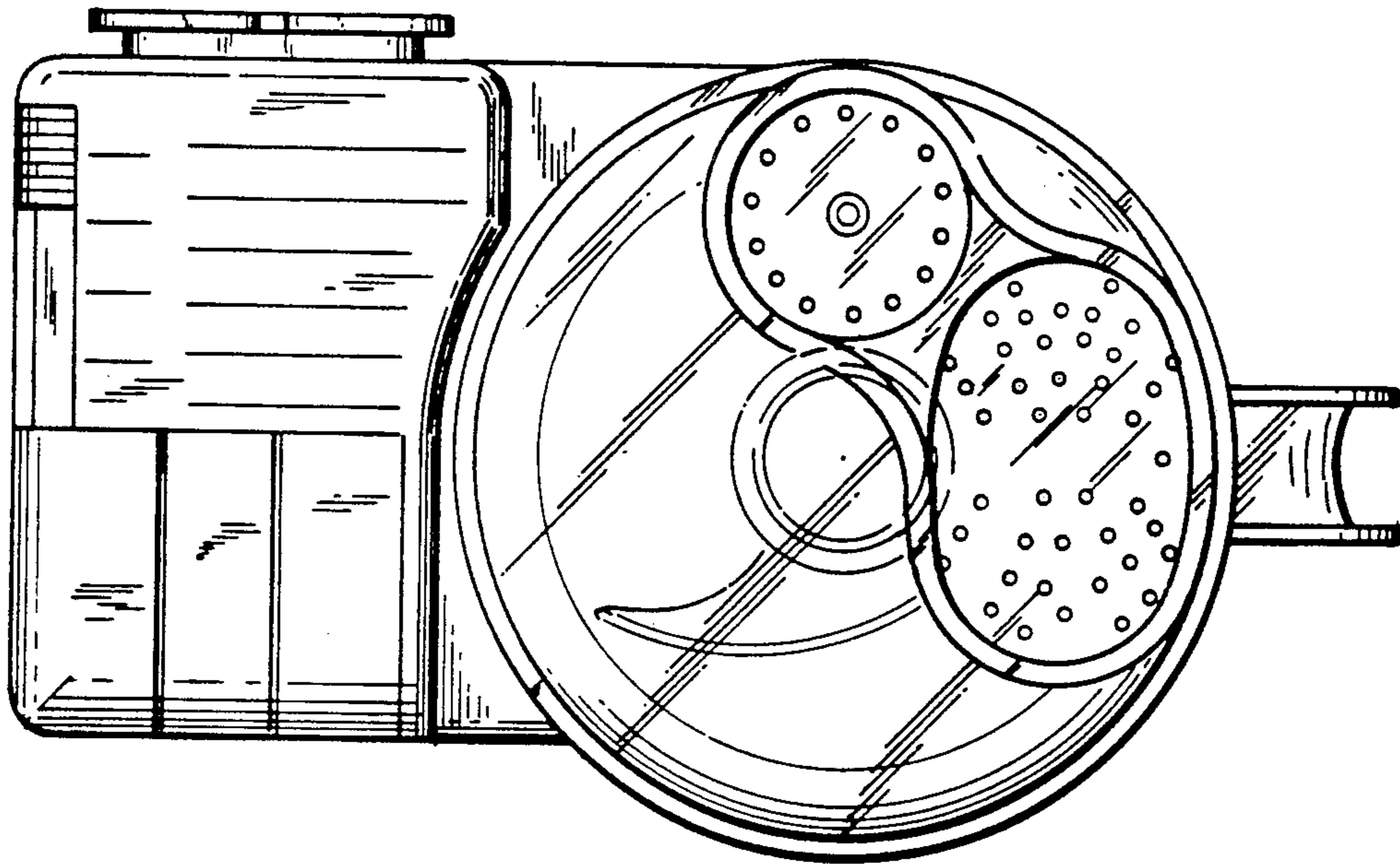


FIG. 7

