



US00D324316S

United States Patent [19]

[11] Patent Number: **Des. 324,316**

Hahne

[45] Date of Patent: **** Mar. 3, 1992**

[54] **PRINTERS' TABLE FOR USE IN REPRODUCING HUMAN EYE COLOR PERCEPTIONS**

[76] Inventor: **Ernst A. Hahne**, Oberer Rosenbergweg 26, CH-4123 Allschwil, Switzerland

[**] Term: **14 Years**

[21] Appl. No.: **200,176**

[22] Filed: **May 27, 1988**

[30] **Foreign Application Priority Data**

Nov. 27, 1987 [DE] Fed. Rep. of Germany DM/009765

[52] U.S. Cl. **D6/397; D6/484**

[58] Field of Search **D6/480, 483-488, D6/495, 498, 499, 396, 400, 429, 449-453**

[56] **References Cited**

U.S. PATENT DOCUMENTS

- D. 174,407 4/1955 Anderle D6/449
- D. 250,743 1/1979 Berknan et al. D6/429
- D. 263,533 3/1982 Ferdinand et al. D6/429 X

- D. 269,237 6/1983 Burdick D6/495
- D. 273,739 5/1984 Shapiro D6/400
- D. 285,016 8/1986 Claydon D6/449 X
- D. 292,956 12/1987 Inoue et al. D6/484 X
- D. 300,698 4/1989 Price D6/400
- D. 301,811 6/1989 Moloney D6/400

Primary Examiner—Bruce W. Dunkins
Assistant Examiner—Janice E. Seeger
Attorney, Agent, or Firm—Antonelli, Terry, Stout & Kraus

[57] **CLAIM**

The ornamental design for a printers' table for use in reproducing human eye color perceptions, as shown and described.

DESCRIPTION

FIG. 1 is a front elevational view of a printers' table for use in reproducing human eye color perceptions showing my new design;
FIG. 2 is a rear elevational view thereof;
FIG. 3 is a top plan view thereof;
FIG. 4 is a left side elevational view thereof;
FIG. 5 is a right side elevational view thereof; and
FIG. 6 is a top perspective view thereof.

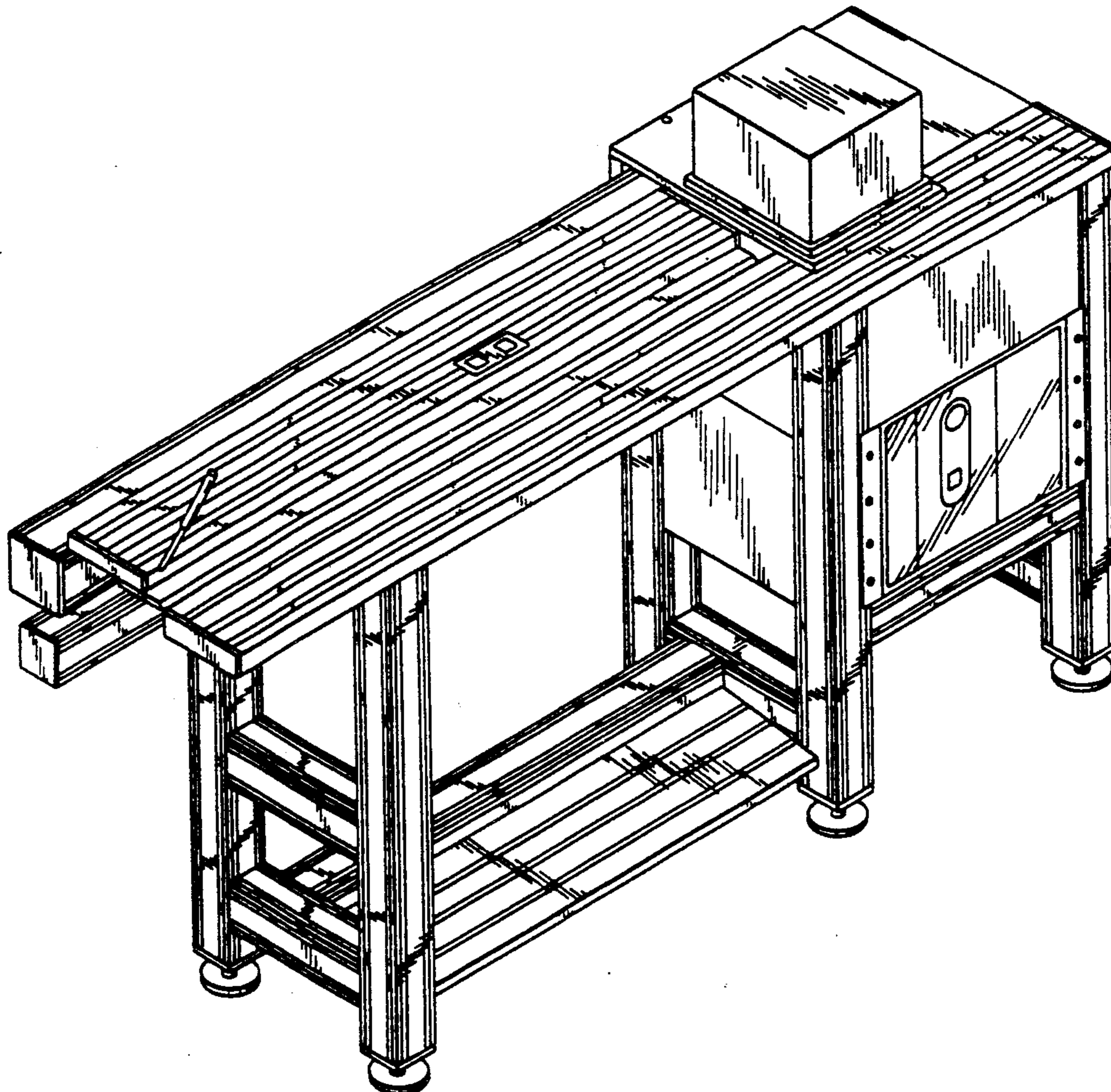


FIG. 1

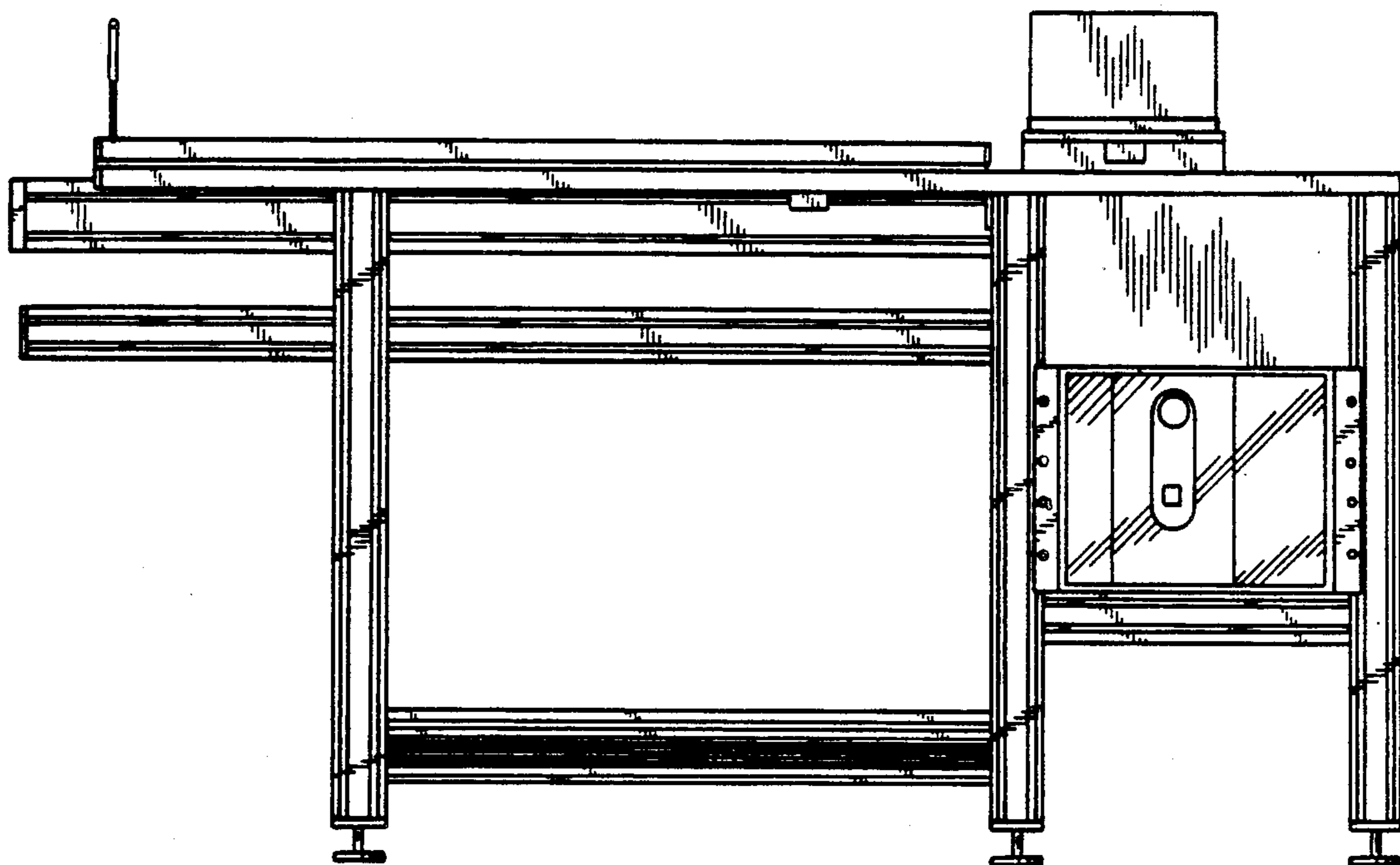


FIG. 2

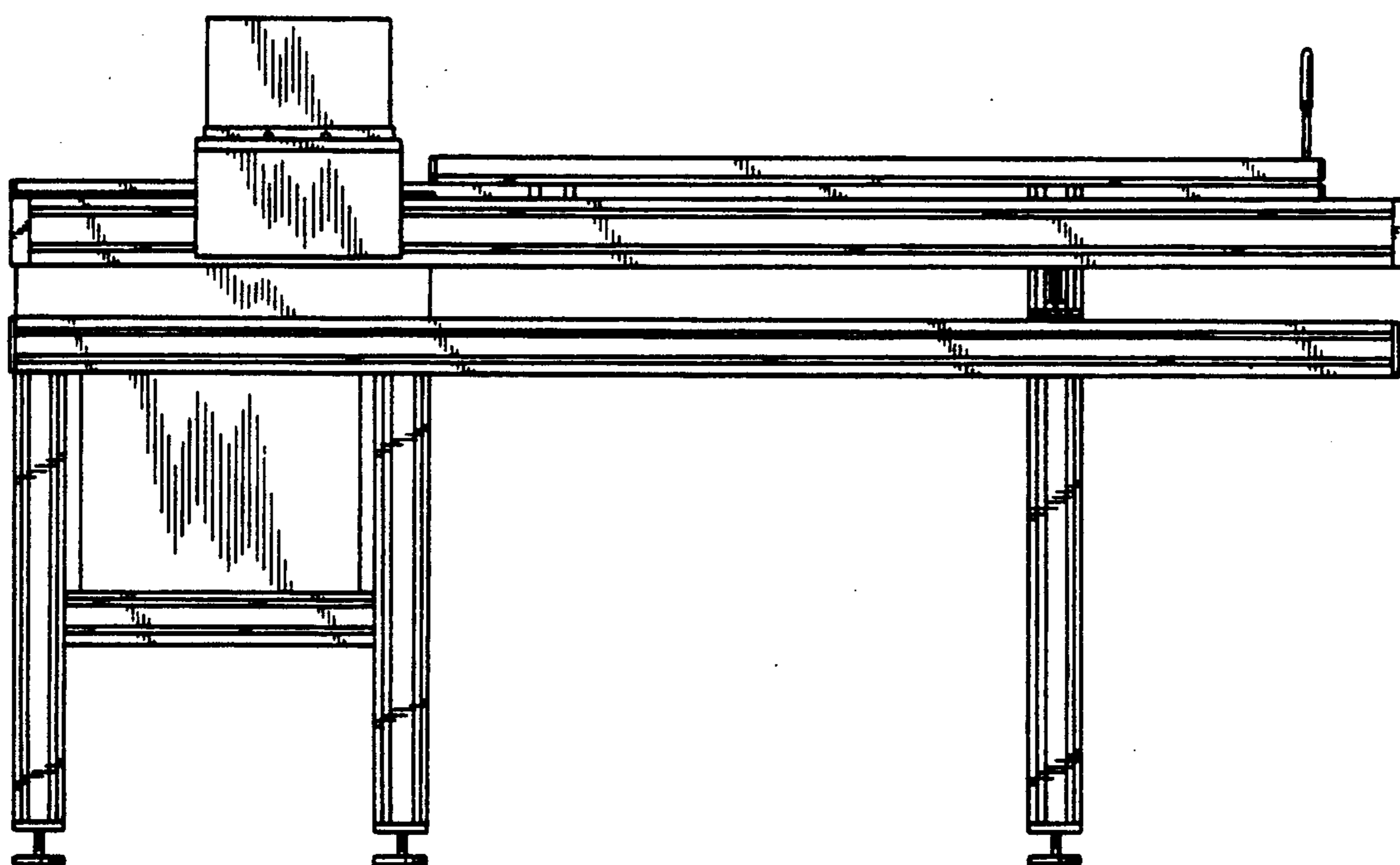


FIG. 3

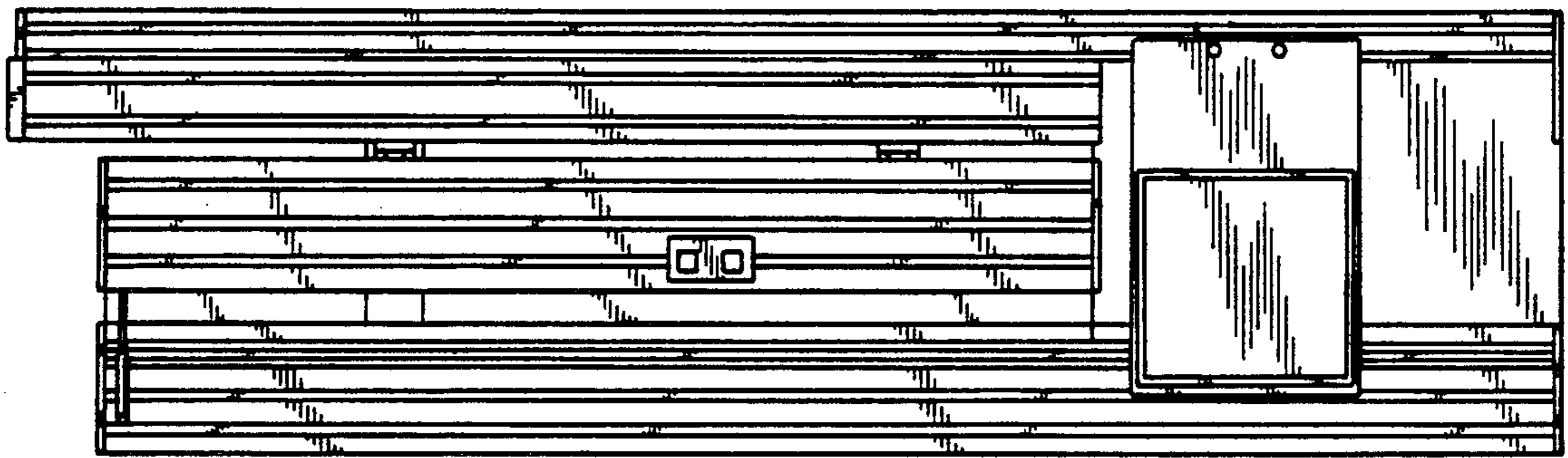


FIG. 4

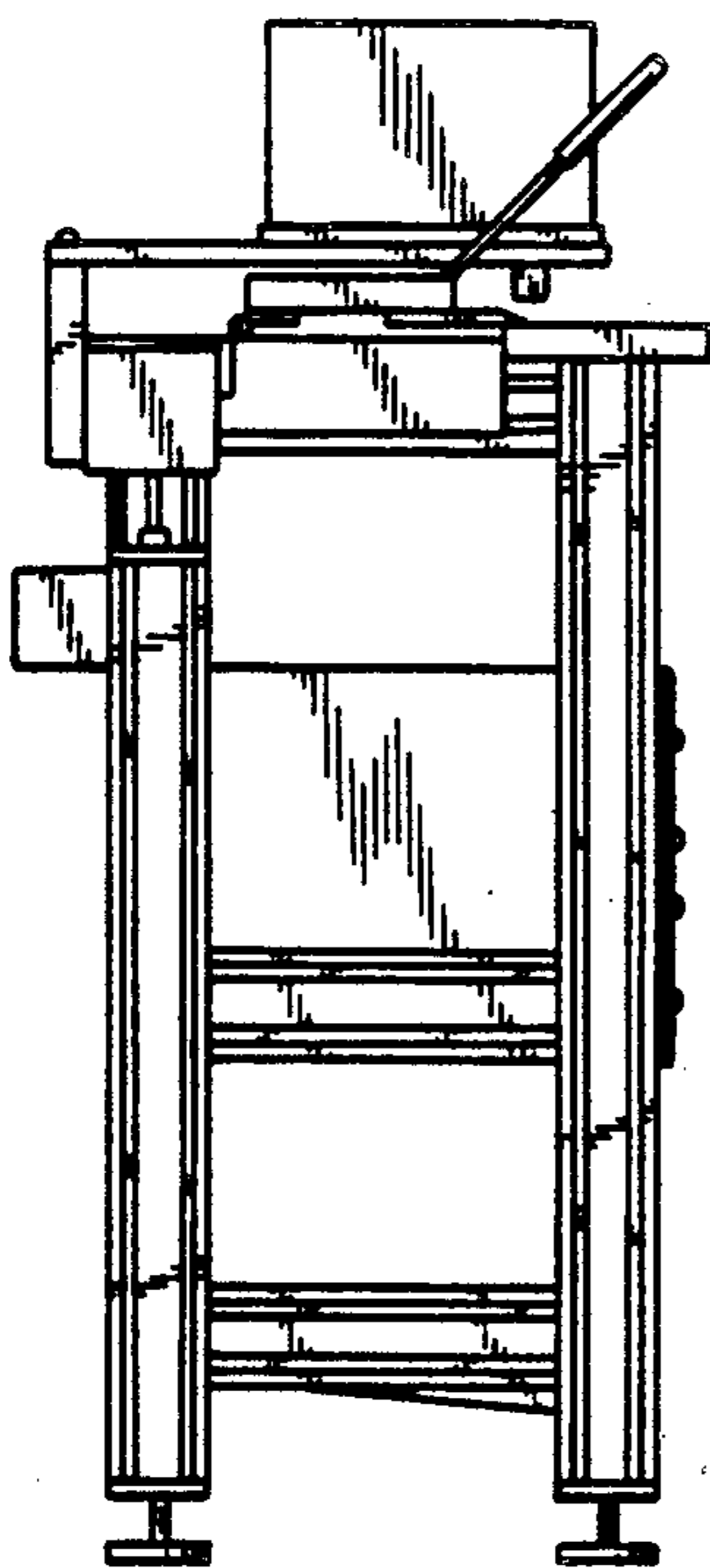
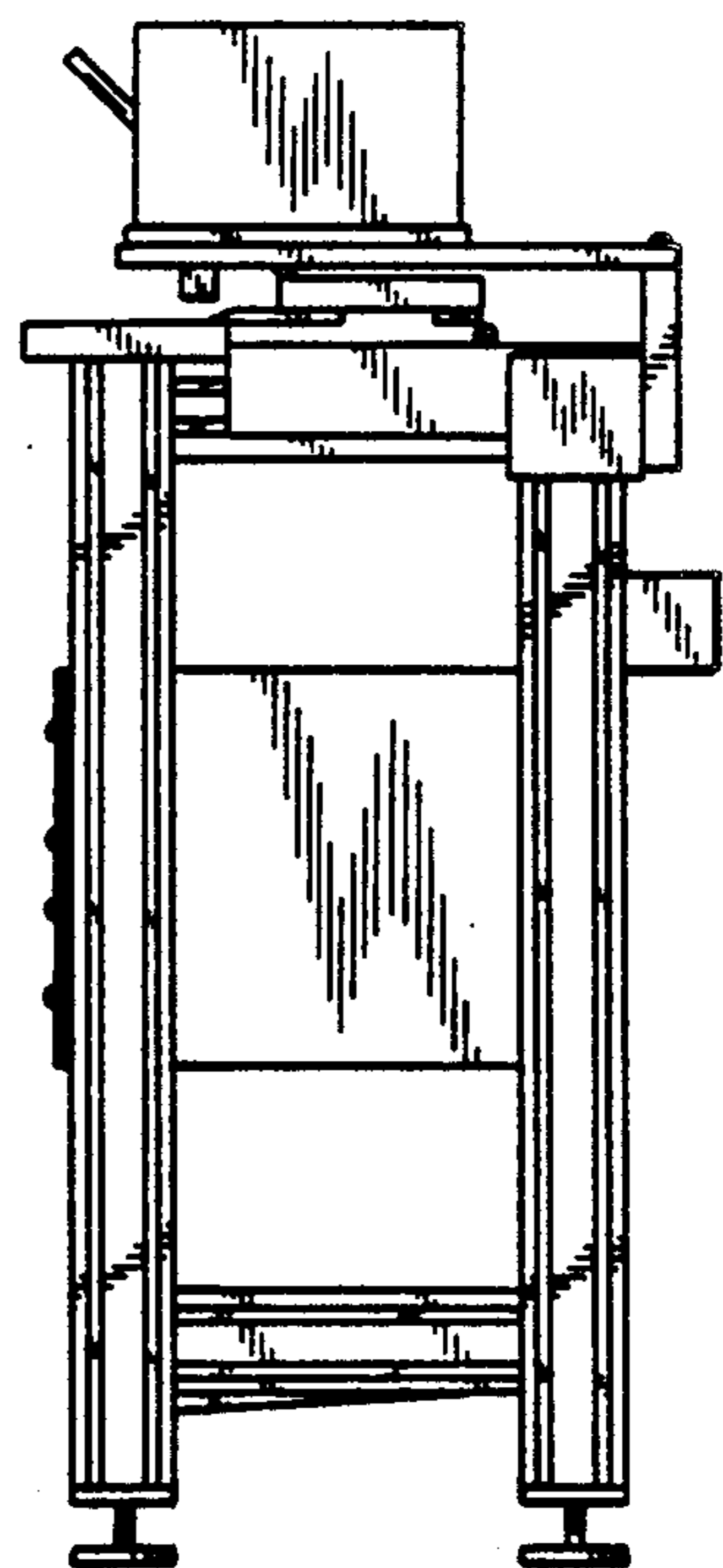


FIG. 5



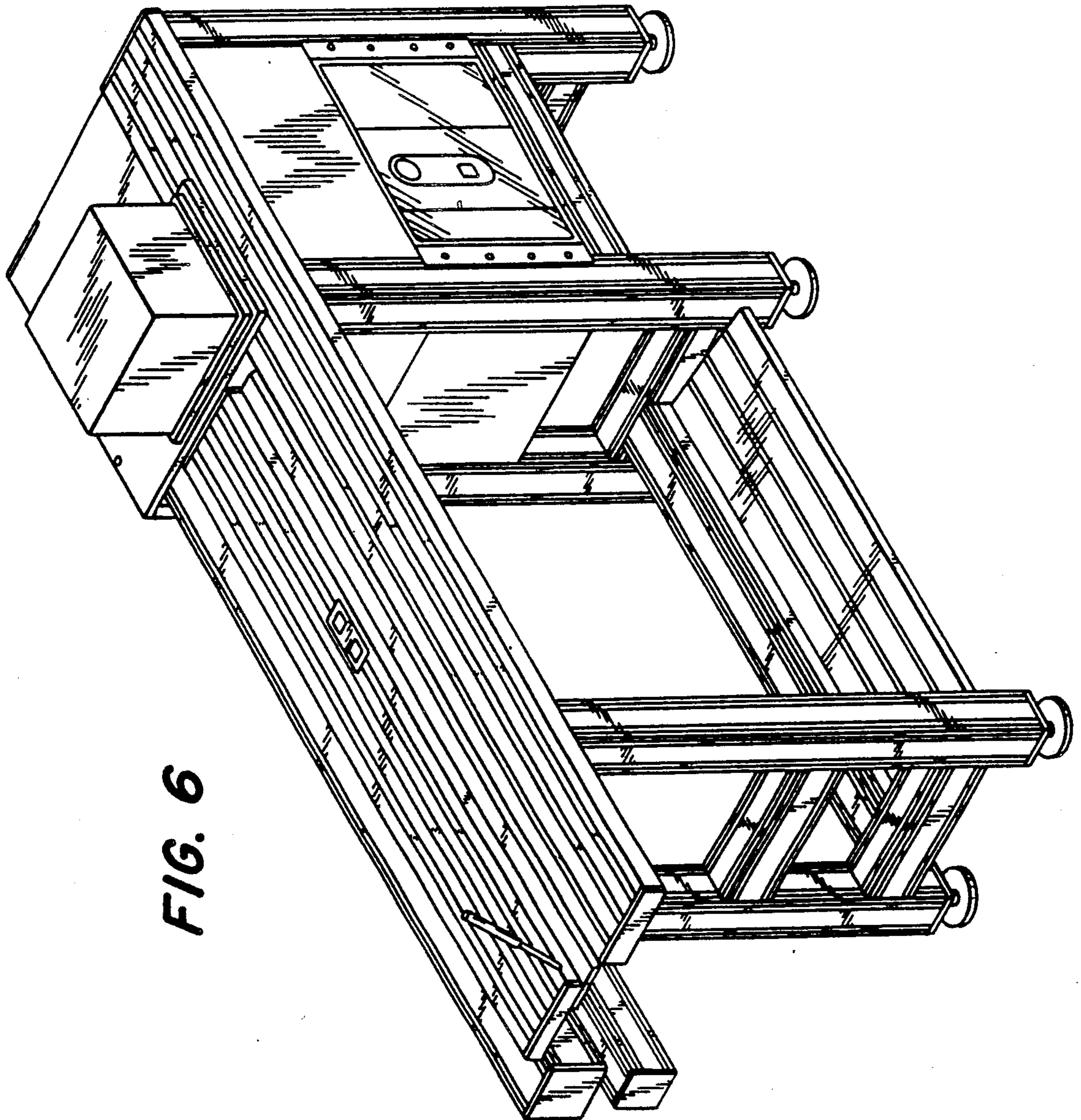


FIG. 6